



US00D416564S

# United States Patent [19]

[11] Patent Number: **Des. 416,564**

Allen et al.

[45] Date of Patent: **\*\* Nov. 16, 1999**

[54] **ROTATABLE GUARD FOR A FINISHING MACHINE**

[75] Inventors: **J. Dewayne Allen; Timmy D. Guinn,**  
both of Paragould, Ark.

[73] Assignee: **Allen Engineering Corp.,** Paragould,  
Ark.

[\*\*] Term: **14 Years**

[21] Appl. No.: **29/097,447**

[22] Filed: **Dec. 7, 1998**

[51] **LOC (6) Cl.** ..... **15-04**

[52] **U.S. Cl.** ..... **D15/28; D15/10**

[58] **Field of Search** ..... **D15/10.22, 28;**  
**404/96, 97, 112**

4,388,017	6/1983	Morrison	.....	404/112
4,629,359	12/1986	Sengupta	.....	404/112
4,673,311	6/1987	Whiteman, Jr.	.....	404/112
4,752,154	6/1988	Valentine	.....	404/72
4,784,519	11/1988	Artzberger	.....	404/112
5,221,156	7/1993	Martin	.....	404/97
5,405,216	4/1995	Allen et al.	.....	404/112
5,533,830	7/1996	Barichello	.....	404/96

### OTHER PUBLICATIONS

“BM 60 Kantafwerker” Spec. Sheet—B—Mac Daar Draait’T OM.

*Primary Examiner*—Sandra L. Morris  
*Attorney, Agent, or Firm*—Stephen D. Carver

### [57] CLAIM

The ornamental design for a rotatable guard for a finishing machine, as shown and described.

### DESCRIPTION

FIG. 1 is a front perspective view of a rotatable guard for a finishing machine, showing our new design, the rear comprising a mirror image thereof;  
FIG. 2 is a left side perspective view thereof, the right side perspective view comprising a mirror image thereof;  
FIG. 3 is a front elevational view of our new guard, the rear elevational view comprising a mirror image thereof;  
FIG. 4 is a left side elevational view thereof, the right side elevational view comprising a mirror image thereof; and,  
FIG. 5 is a top plan view thereof.

**1 Claim, 5 Drawing Sheets**

### [56] References Cited

#### U.S. PATENT DOCUMENTS

D. 323,510	1/1992	Allen et al.	.....	D15/10
D. 344,736	3/1994	Allen et al.	.....	D15/10
D. 400,544	11/1998	Allen	.....	D15/28
D. 404,041	1/1999	Allen	.....	D15/28
3,973,857	8/1976	Whiteman, Jr.	.....	404/112
4,027,991	6/1977	Maass	.....	404/112
4,046,483	9/1977	Sutherland	.....	404/112
4,198,178	4/1980	Carlstrom, et al.	.....	404/112
4,232,980	11/1980	Tertinek, et al.	.....	404/112
4,312,603	1/1982	Whiteman, Jr.	.....	404/112
4,320,986	3/1982	Morrison	.....	404/112
4,386,901	6/1983	Morrison	.....	425/456

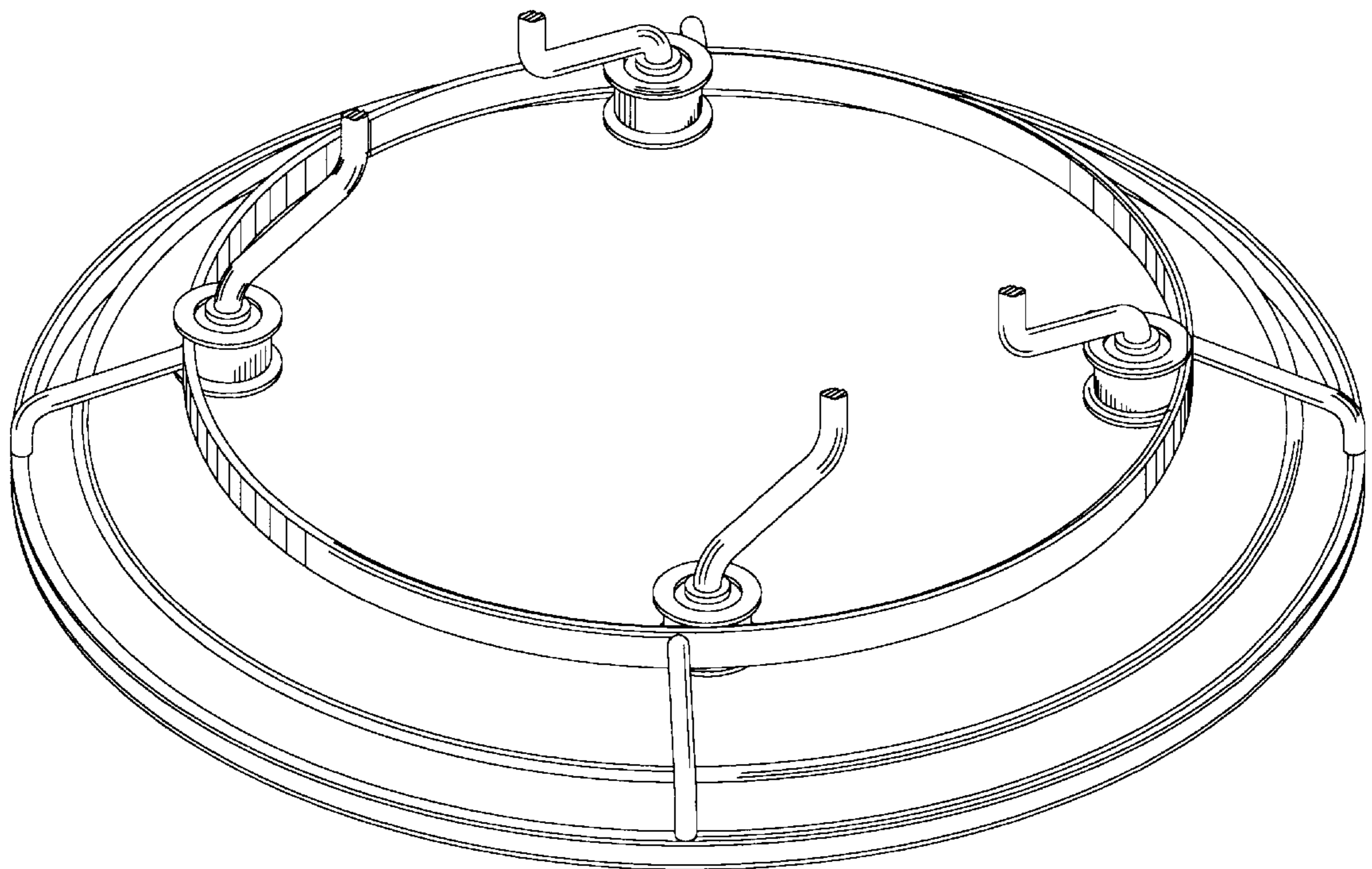
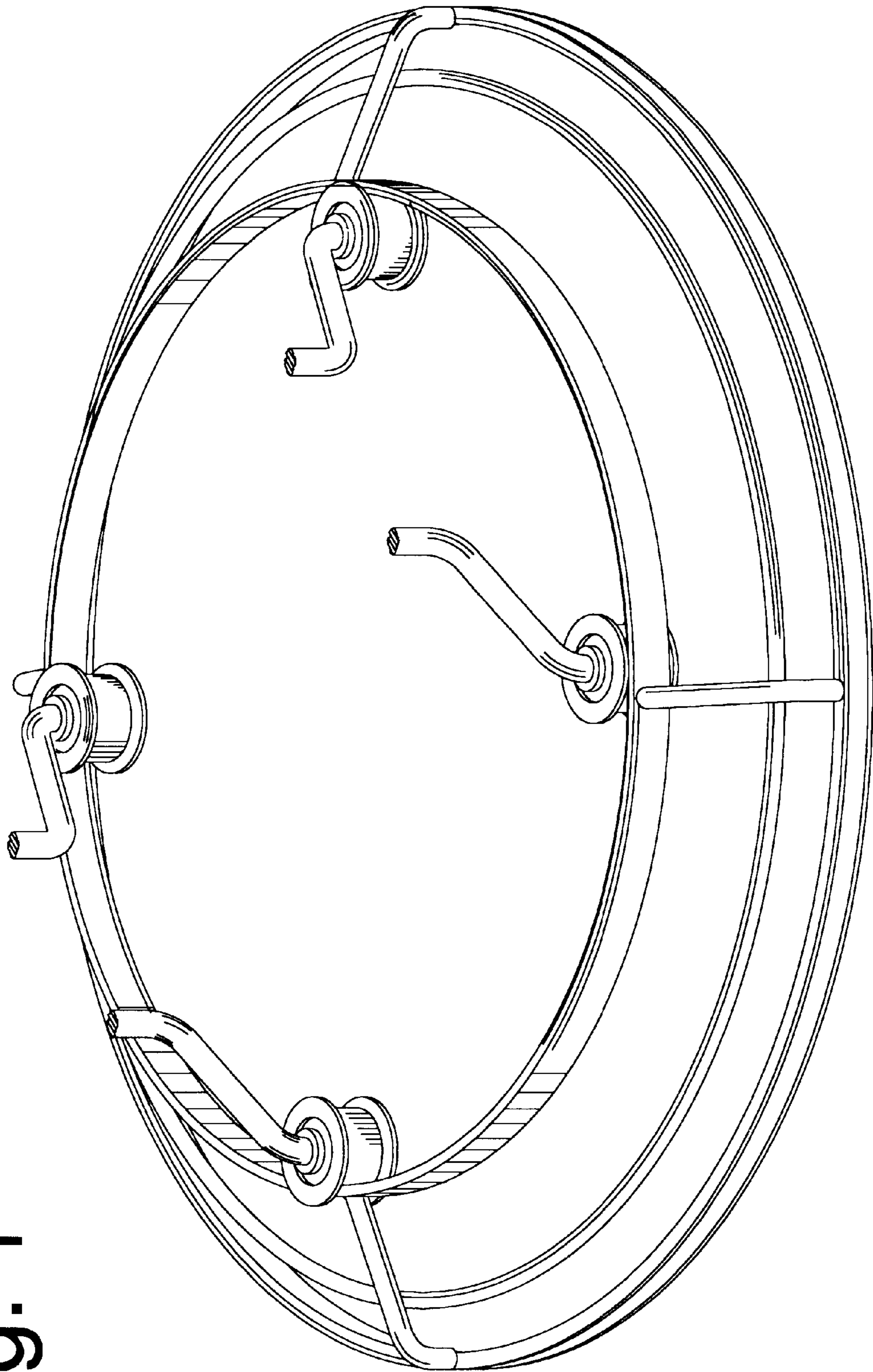


Fig. 1



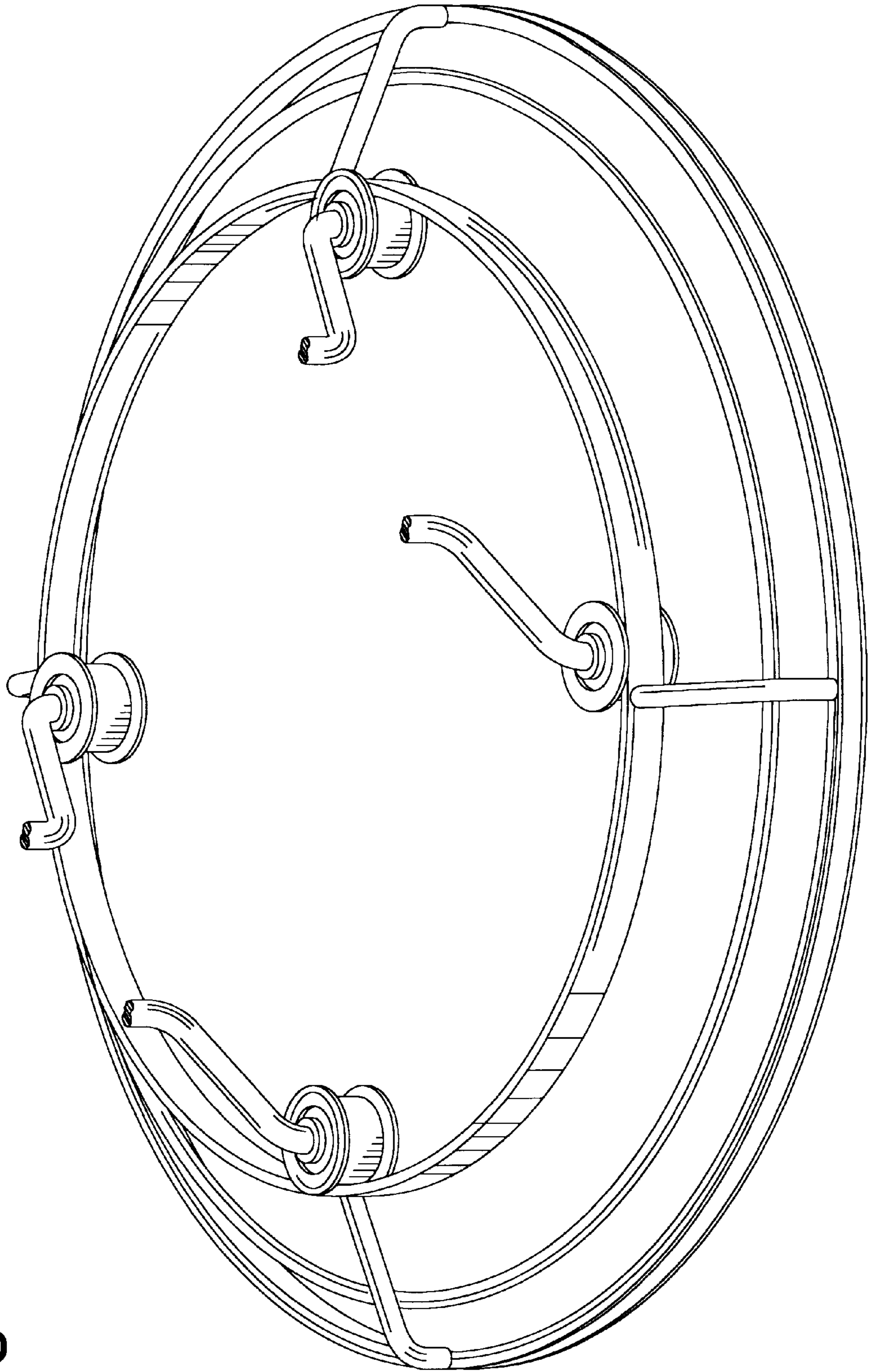


Fig. 2

Fig. 3

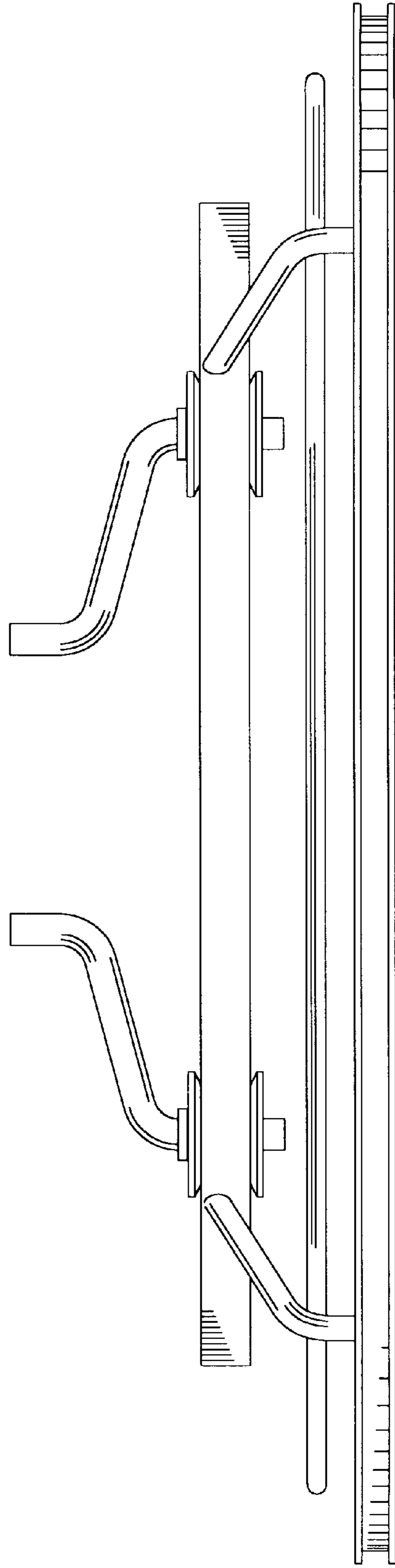
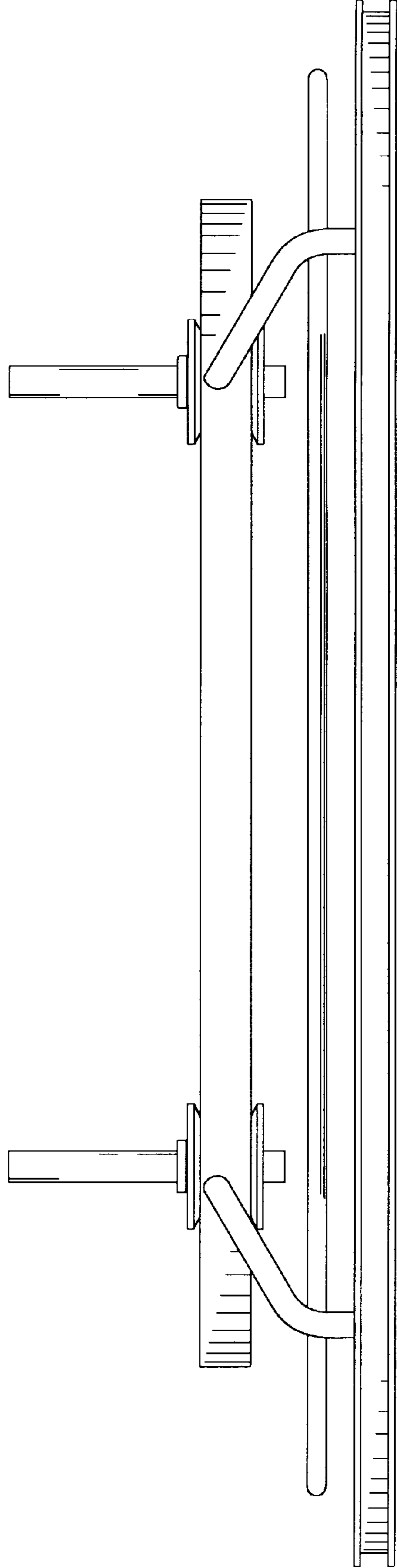


Fig. 4



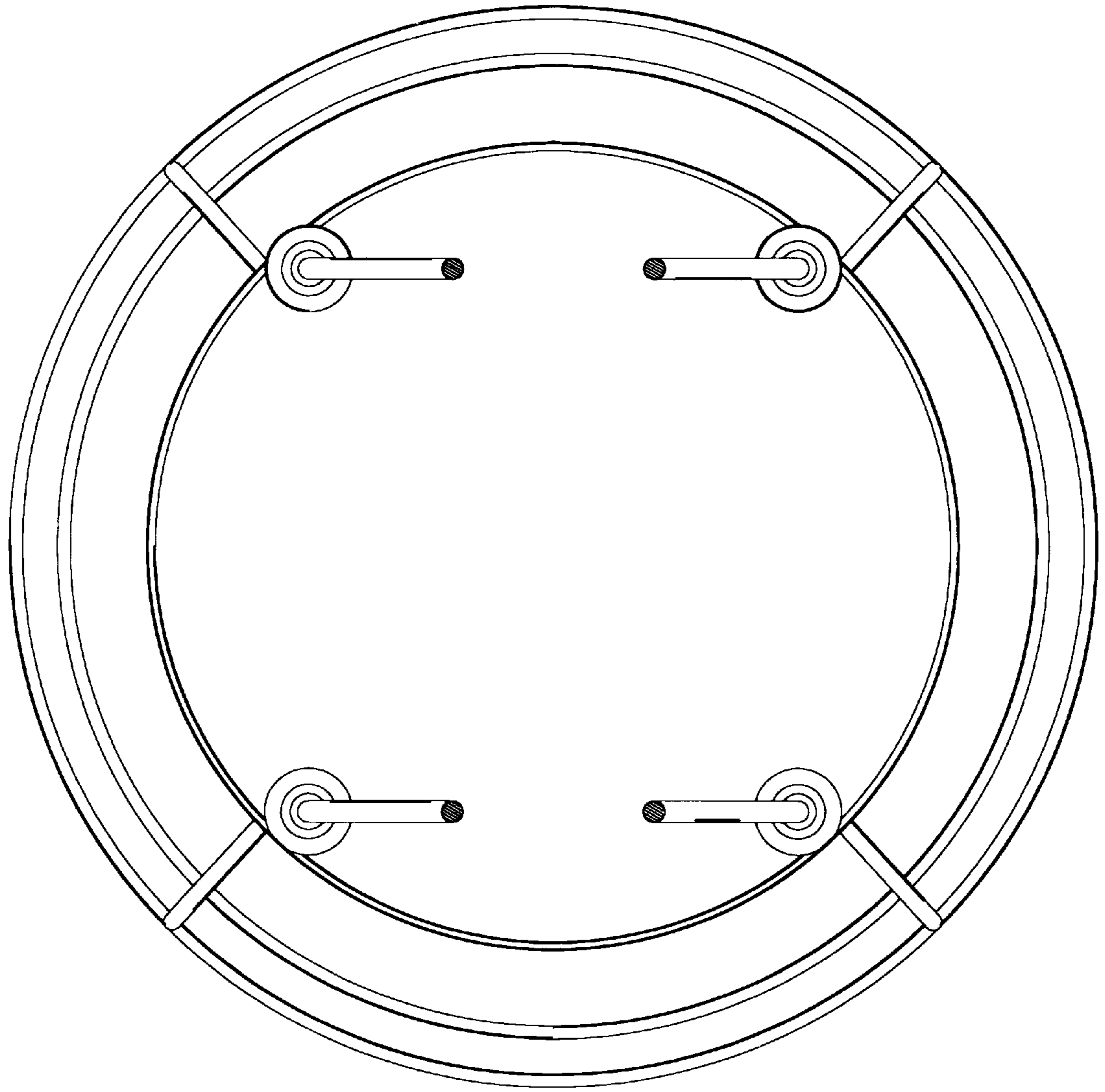


Fig. 5