



US00D416552S

# United States Patent [19]

[11] Patent Number: **Des. 416,552**

Takemoto et al.

[45] Date of Patent: **\*\* Nov. 16, 1999**

## [54] COMBINED TELEVISION RECEIVER WITH VIDEO TAPE RECORDER

## OTHER PUBLICATIONS

[75] Inventors: **Masaki Takemoto; Koji Yukikado**, both of Ehime, Japan

Sharp Combined Television with Video Tape Recorder Model Nos. VT-21G1, VT-14GH1, VT21-M40, VT-14M50, VT-20WM4, catalog issued Sep. 1998.

[73] Assignee: **Matsushita Electric Industrial Co., Ltd.**, Japan

*Primary Examiner*—Ted Shooman  
*Assistant Examiner*—Richelle Shelton  
*Attorney, Agent, or Firm*—Saidman DesignLaw Group

[\*\*] Term: **14 Years**

## [57] CLAIM

[21] Appl. No.: **29/101,012**

The ornamental design for a combined television receiver with video tape recorder, as shown and described.

[22] Filed: **Feb. 23, 1999**

## [30] Foreign Application Priority Data

## DESCRIPTION

Sep. 18, 1998 [JP] Japan ..... 10-26845

FIG. 1 is a perspective view of the top, front and right side of a combined television receiver with video tape recorder showing our new design;

[51] **LOC (6) Cl.** ..... **14-03**

[52] **U.S. Cl.** ..... **D14/129**

FIG. 2 is a perspective view of the top, rear and right side thereof;

[58] **Field of Search** ..... D14/113, 126-134; 312/7.2; 348/836, 838

FIG. 3 is a front view thereof;

FIG. 4 is a rear view thereof;

## [56] References Cited

### U.S. PATENT DOCUMENTS

- D. 305,757 1/1990 Kitagawa et al. .... D14/126
- D. 351,155 10/1994 Usami et al. .... D14/126
- D. 357,472 4/1995 Usami et al. .... D14/126
- D. 374,005 9/1996 Shimose et al. .... D14/129

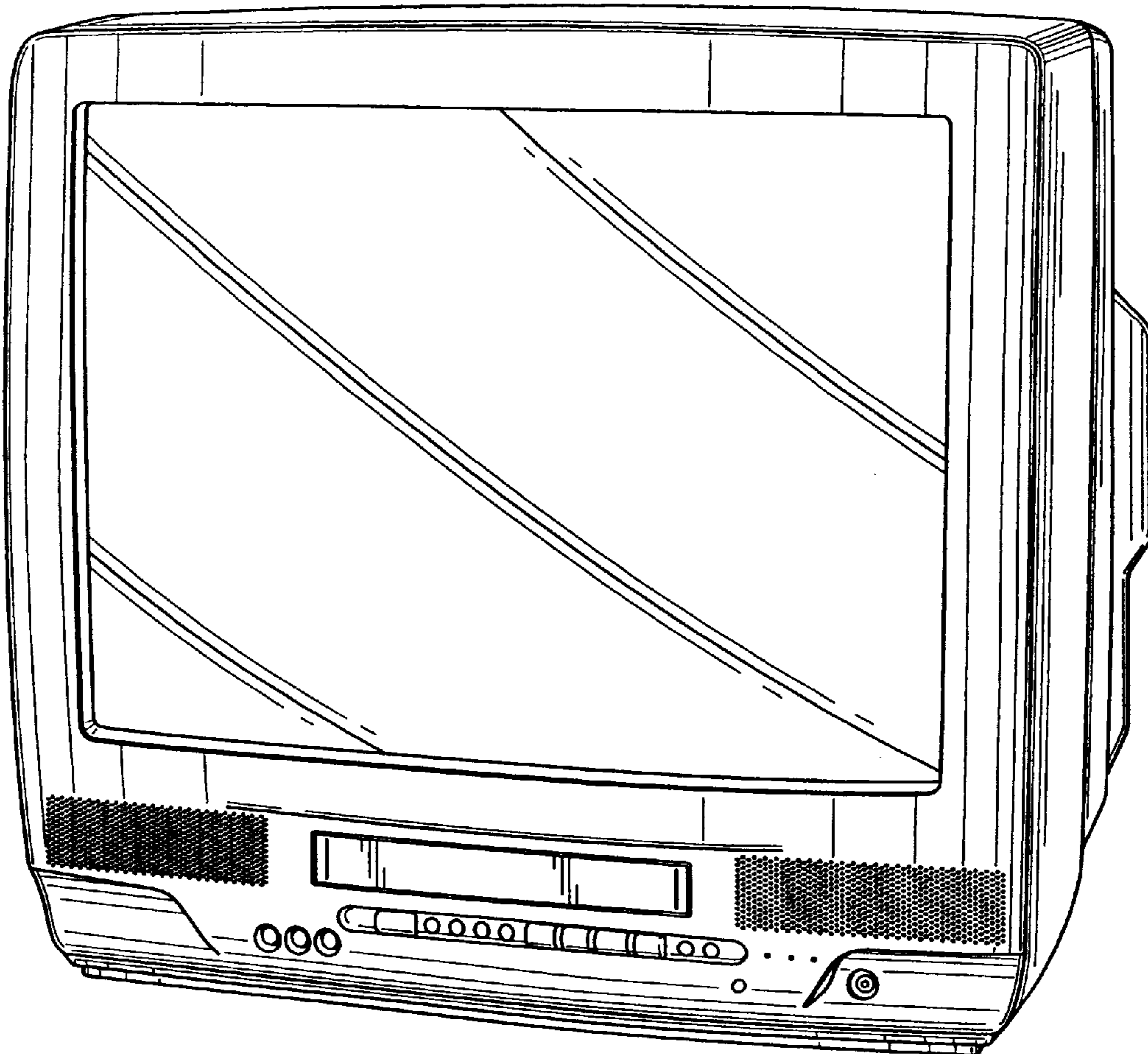
FIG. 5 is a top plan view thereof;

FIG. 6 is a bottom view thereof;

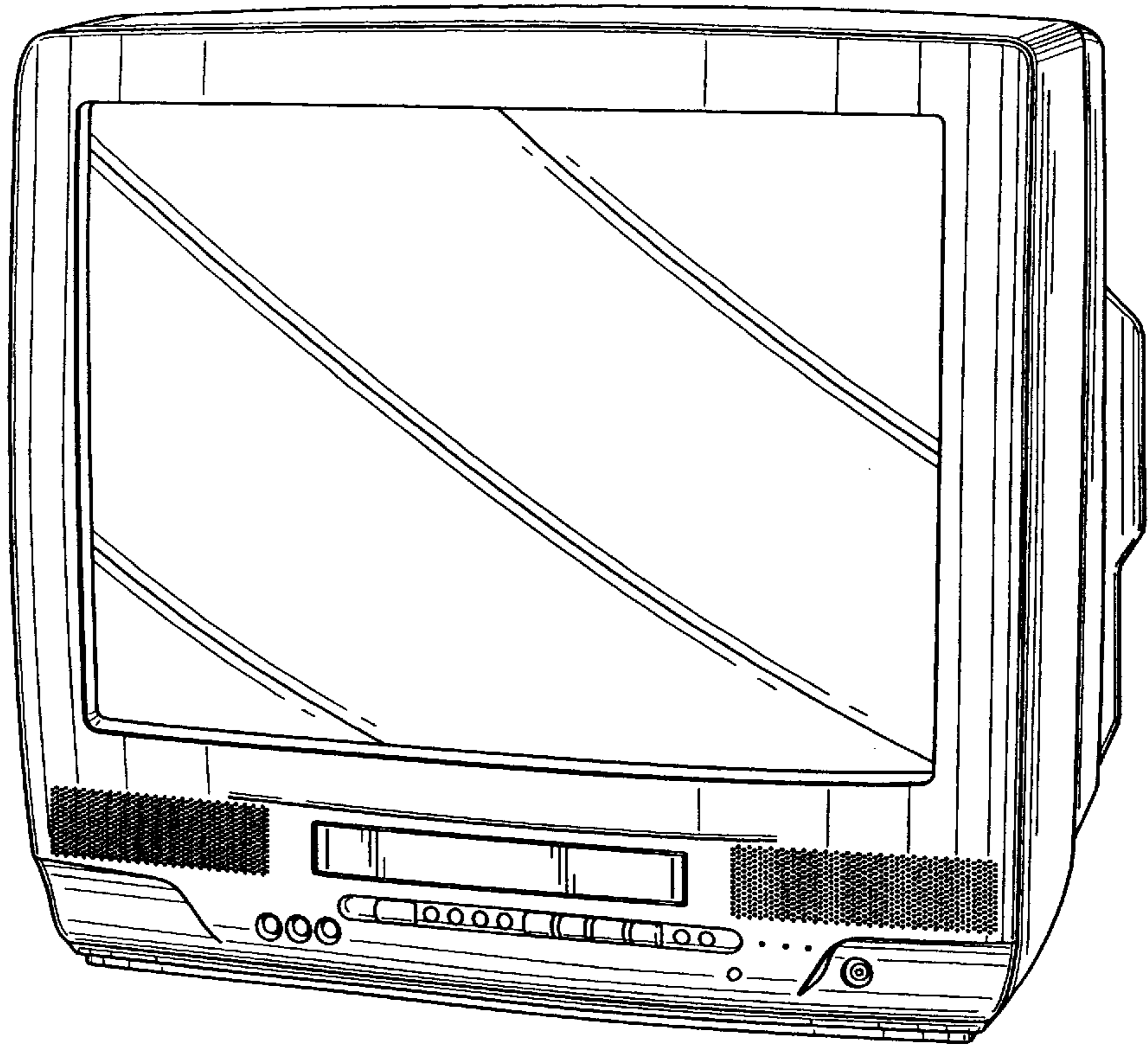
FIG. 7 is a right side view thereof; and,

FIG. 8 is a left side view thereof.

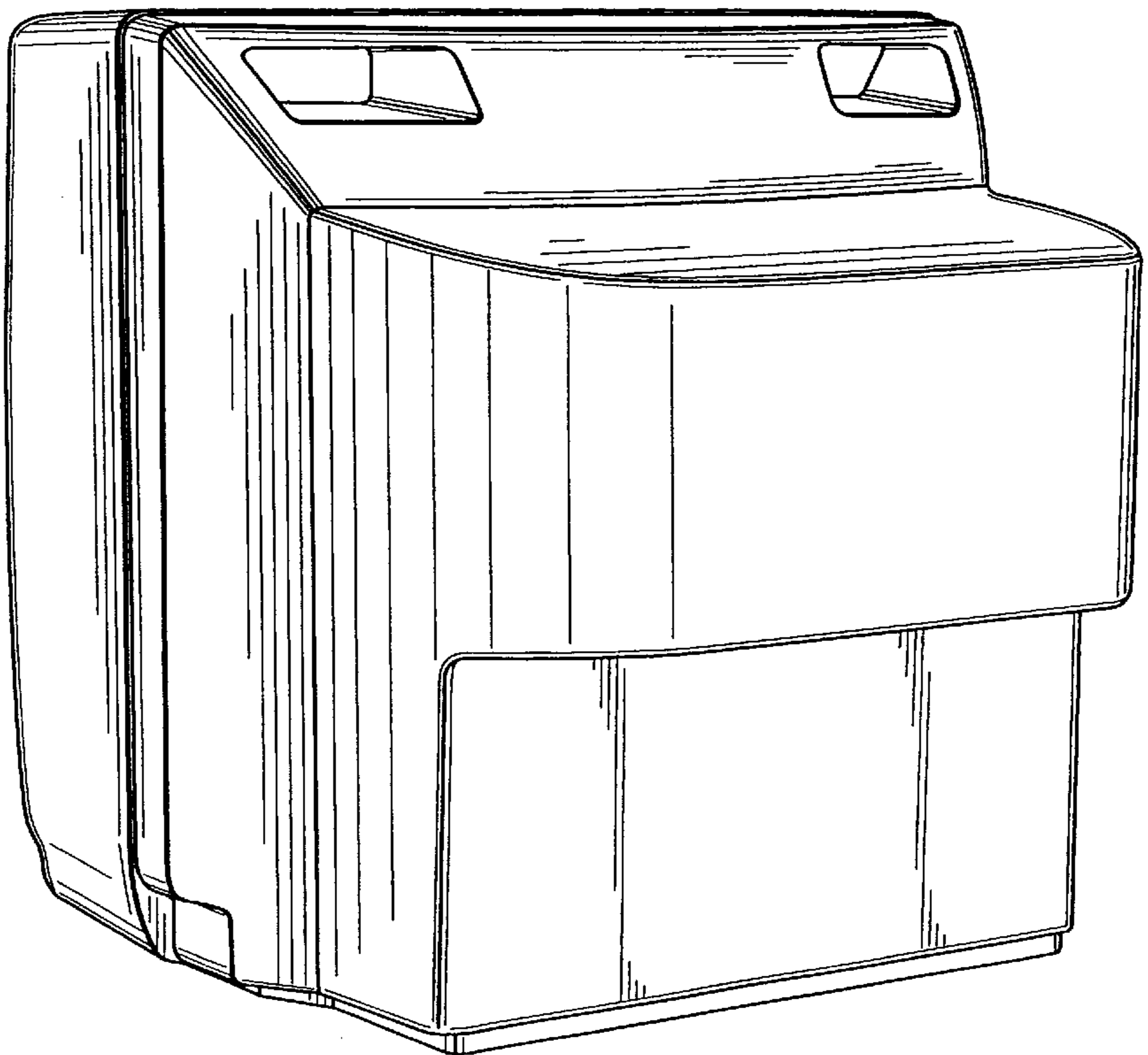
**1 Claim, 4 Drawing Sheets**



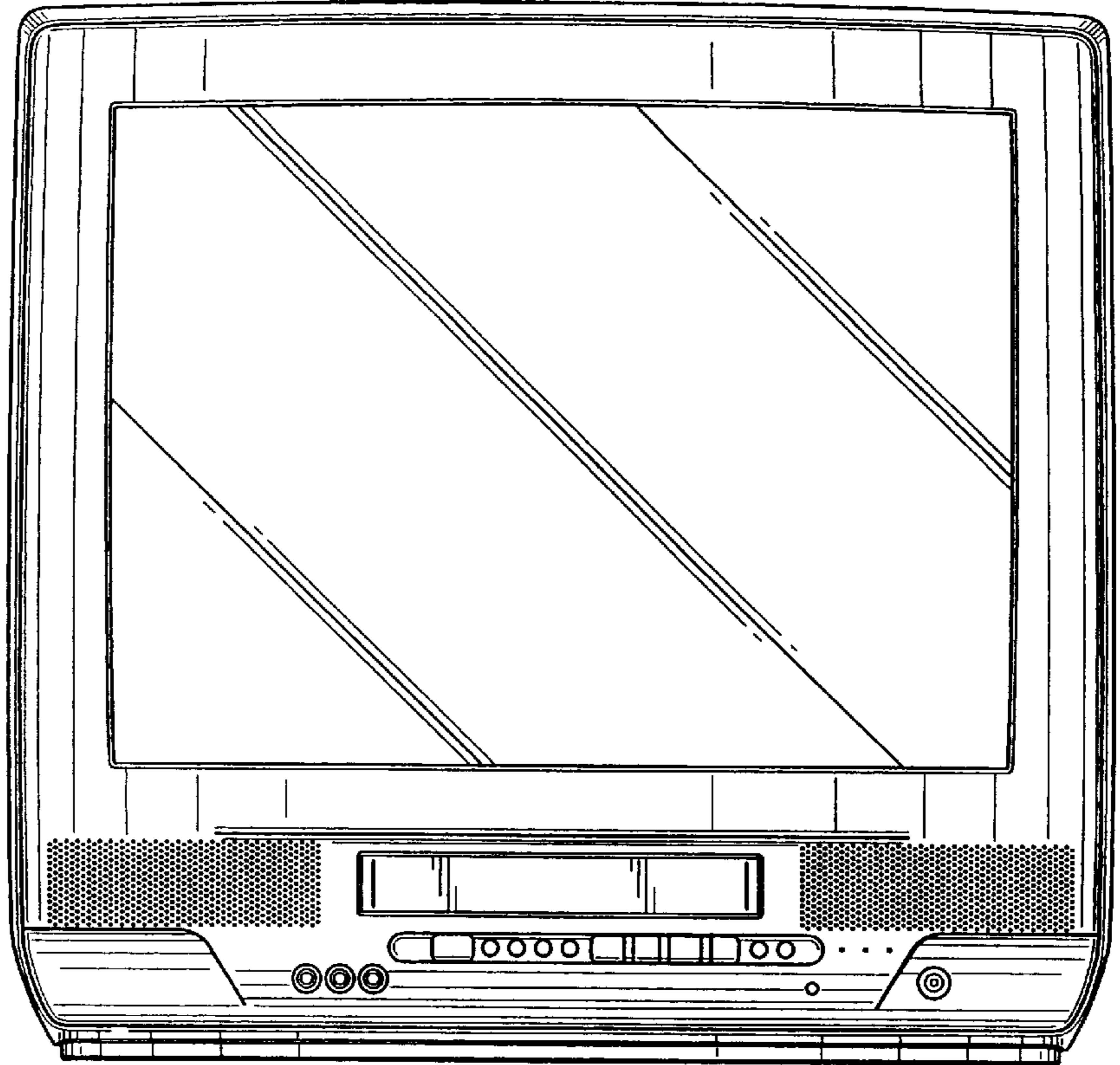
*FIG. 1*



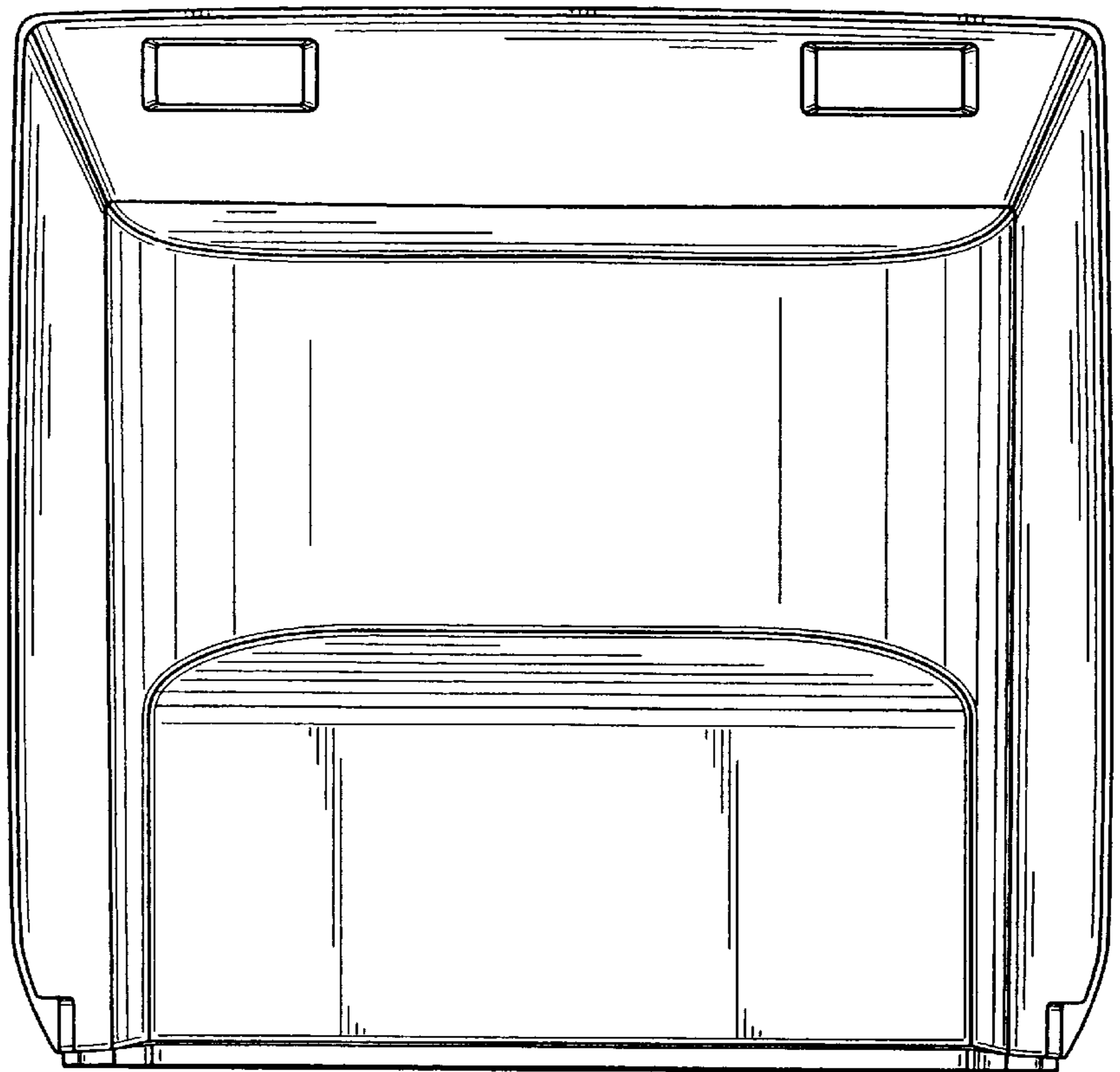
*FIG. 2*



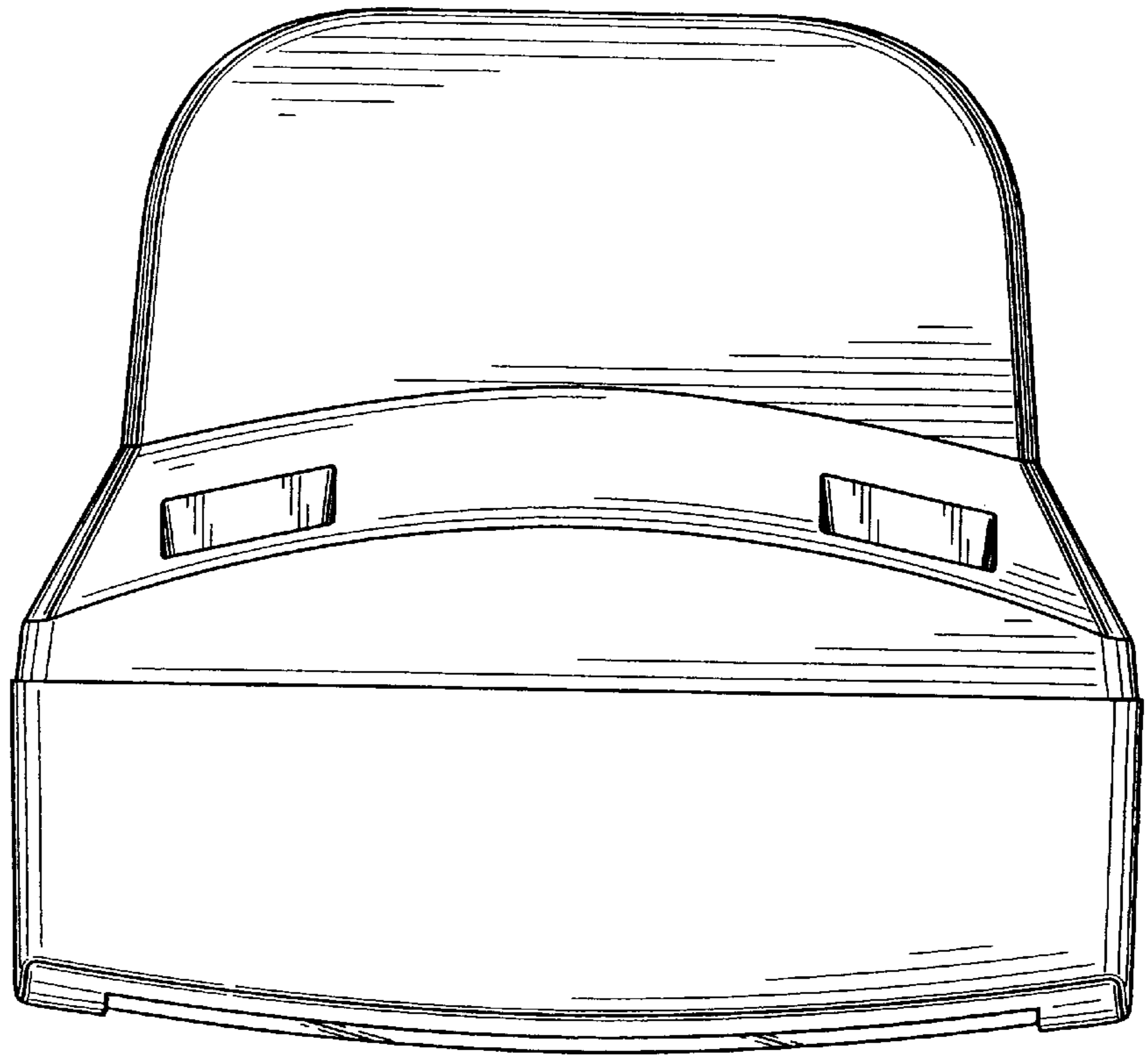
*FIG. 3*



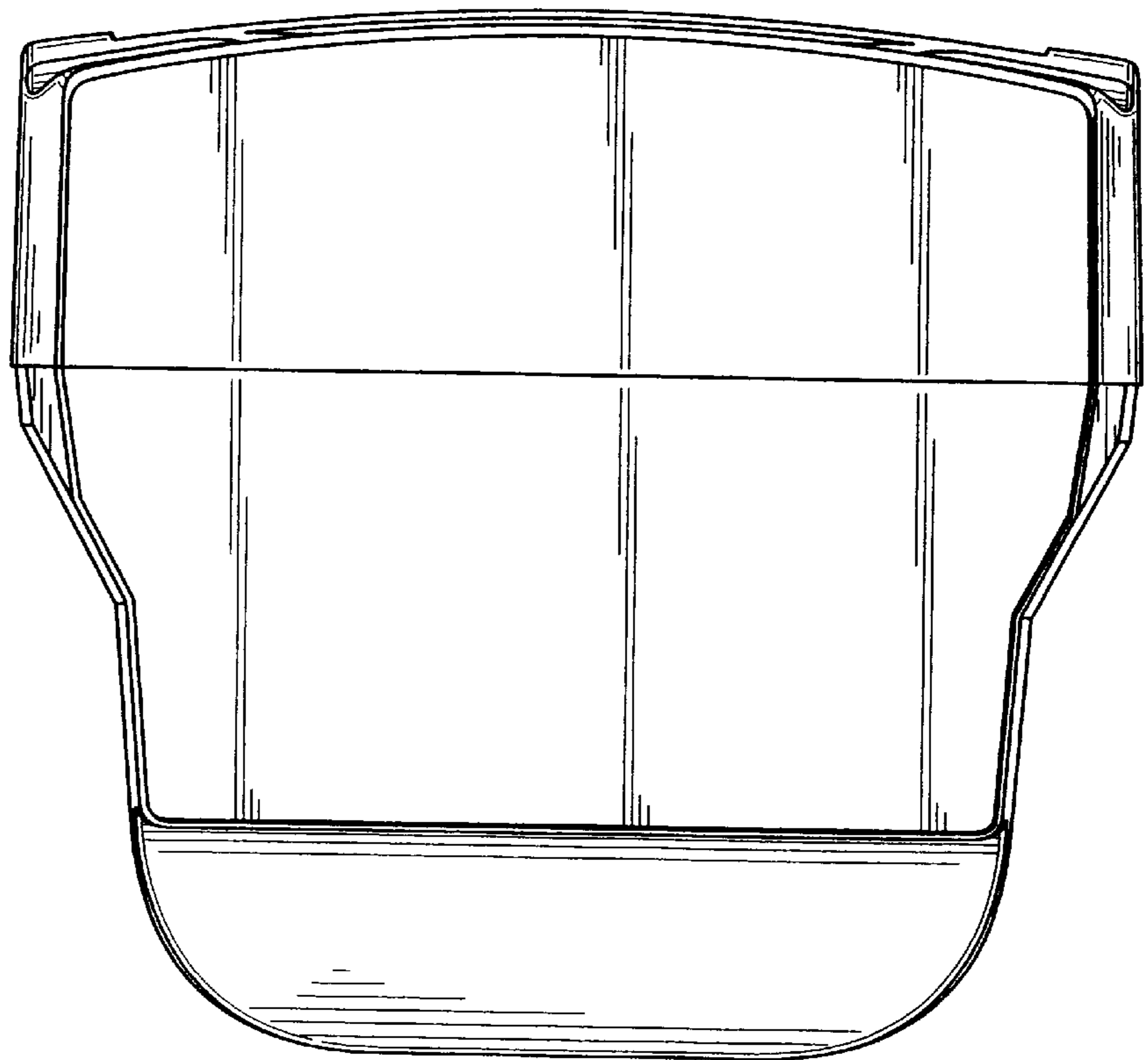
*FIG. 4*



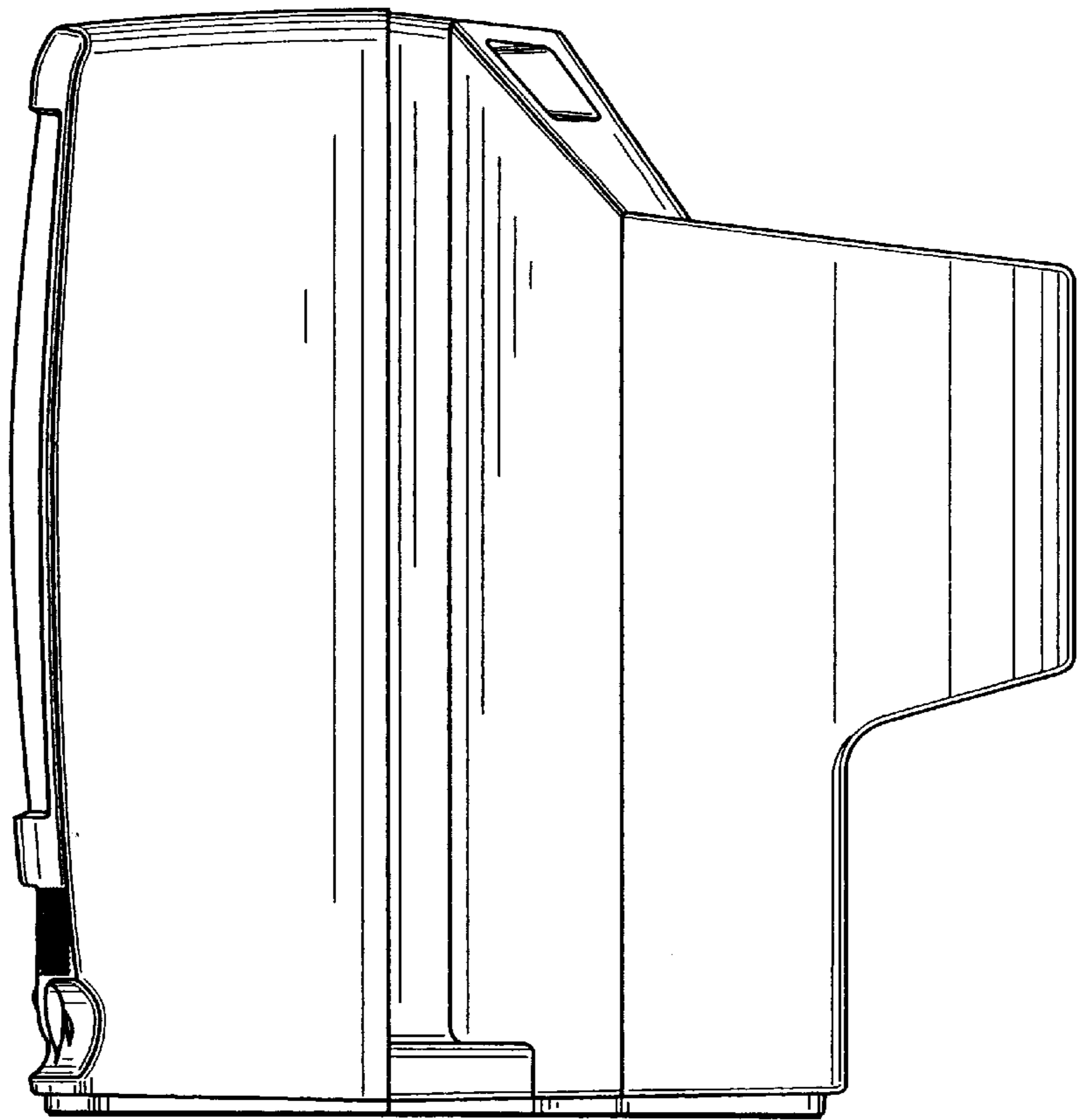
*FIG. 5*



*FIG. 6*



*FIG. 7*



*FIG. 8*

