



US00D416551S

United States Patent [19] Chong

[11] **Patent Number: Des. 416,551**

[45] **Date of Patent: ** Nov. 16, 1999**

[54] **FACSIMILE**

[75] **Inventor: Youn Ui Chong**, Incheon, Rep. of Korea

[73] **Assignee: Daewoo Telecom Ltd.**, Incheon, Rep. of Korea

[**] **Term: 14 Years**

[21] **Appl. No.: 29/102,004**

[22] **Filed: Mar. 16, 1999**

[30] **Foreign Application Priority Data**

Sep. 18, 1998 [KR] Rep. of Korea 98-15937

[51] **LOC (6) Cl. 16-03**

[52] **U.S. Cl. D14/118**

[58] **Field of Search** D14/118, 299, D14/124; 358/400, 401, 402; D18/36, 37

[56] **References Cited**

U.S. PATENT DOCUMENTS

D. 301,035 5/1989 Ooie D14/118
D. 303,960 10/1989 Toru et al. D14/118

D. 305,651 1/1990 Hino D14/118
D. 313,985 1/1991 Hara D14/118
5,172,243 12/1992 Hayashi et al. 358/400
5,183,431 2/1993 Todokoro 358/400 X

OTHER PUBLICATIONS

Radio Shack Catalog, p. 4, Aug. 1990.

Primary Examiner—Prabhakar Deshmukh
Attorney, Agent, or Firm—Bacon & Thomas

[57] **CLAIM**

The ornamental design for a facsimile, as shown and described.

DESCRIPTION

FIG. 1 is a perspective view of a facsimile showing my new design;
FIG. 2 is a front elevational view thereof;
FIG. 3 is a rear elevational view thereof;
FIG. 4 is a top plan view thereof;
FIG. 5 is a bottom plan view thereof;
FIG. 6 is a left side elevational view thereof; and,
FIG. 7 is a right side elevational view thereof.

1 Claim, 4 Drawing Sheets

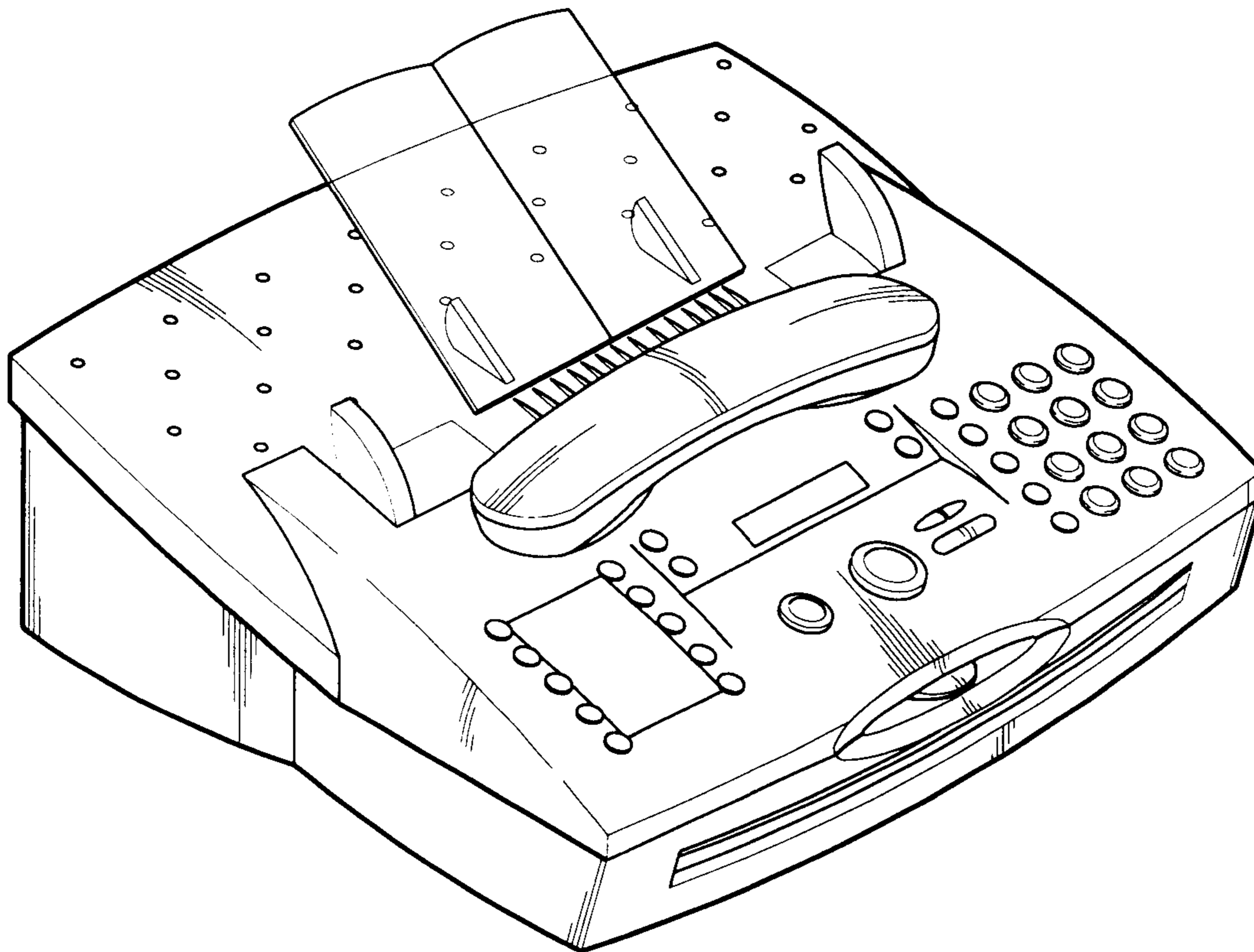


FIG. 1

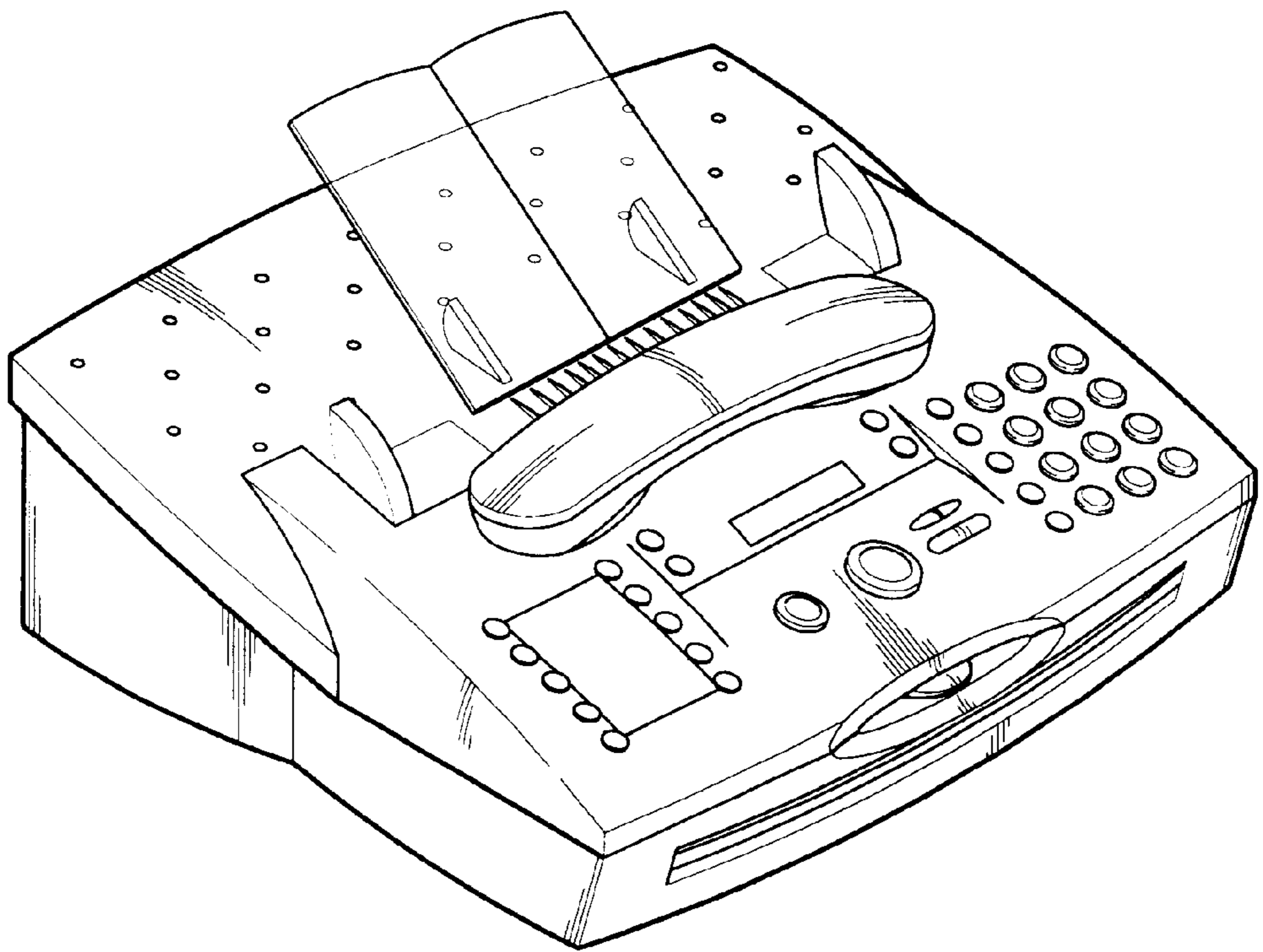


FIG. 2

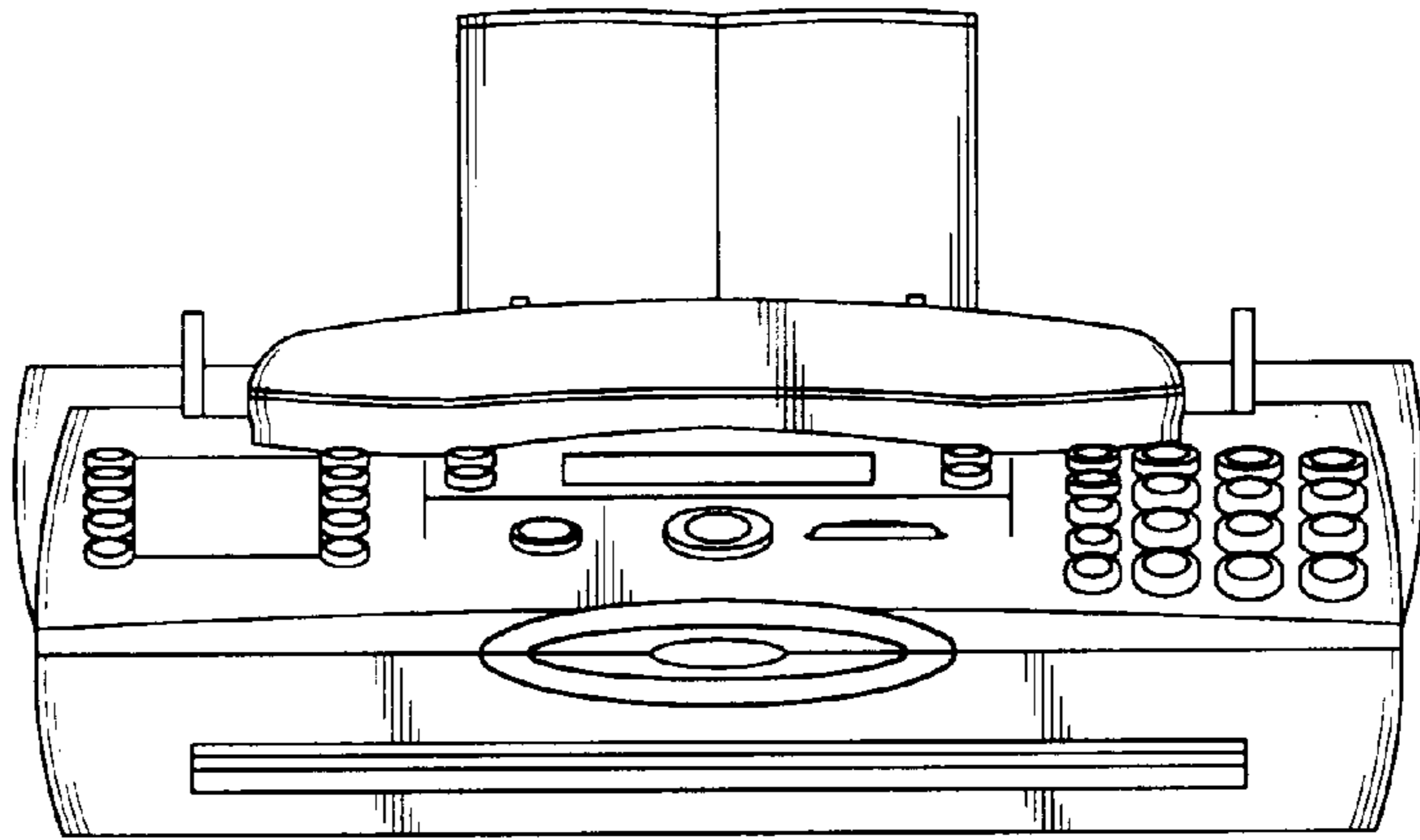


FIG. 3

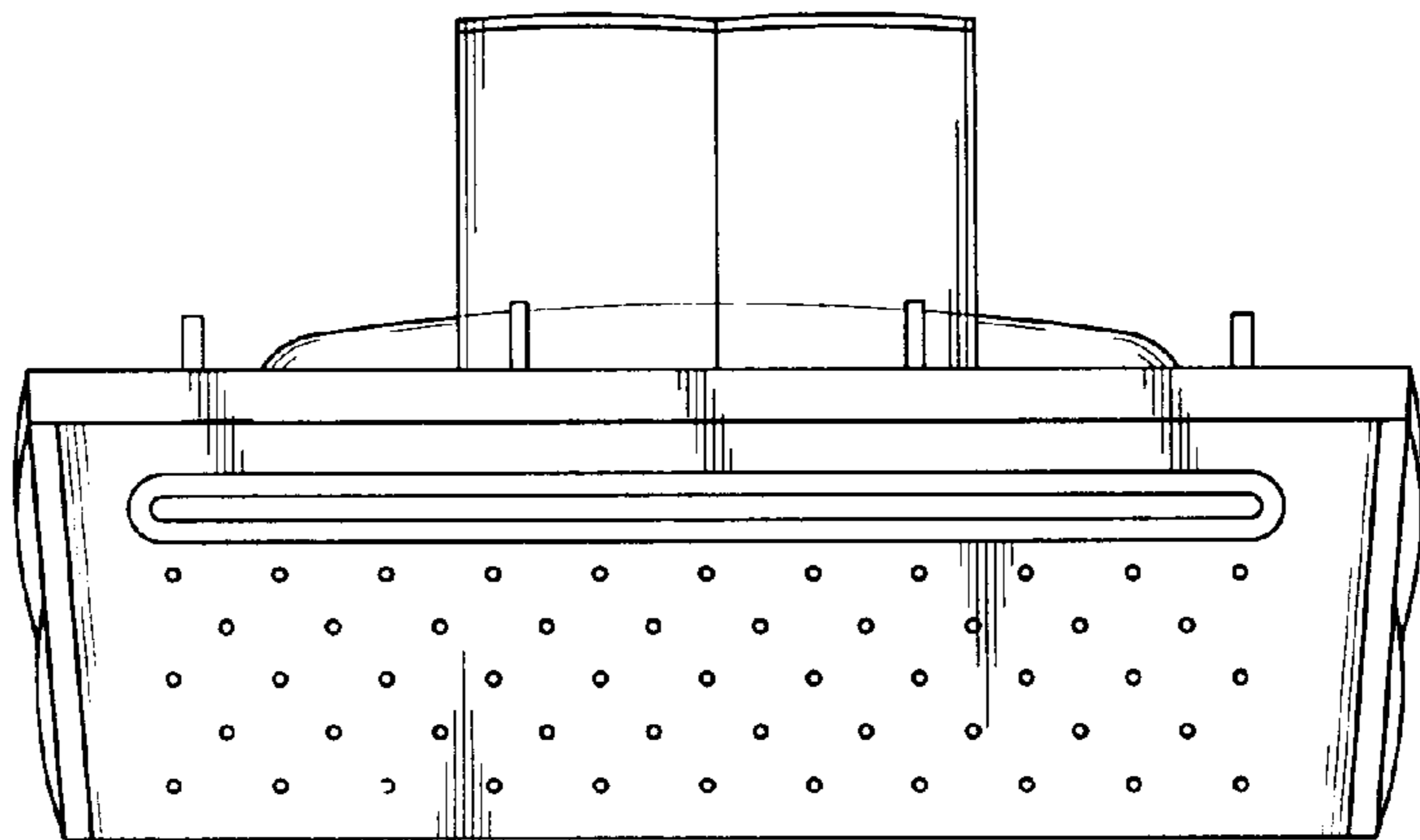


FIG. 4

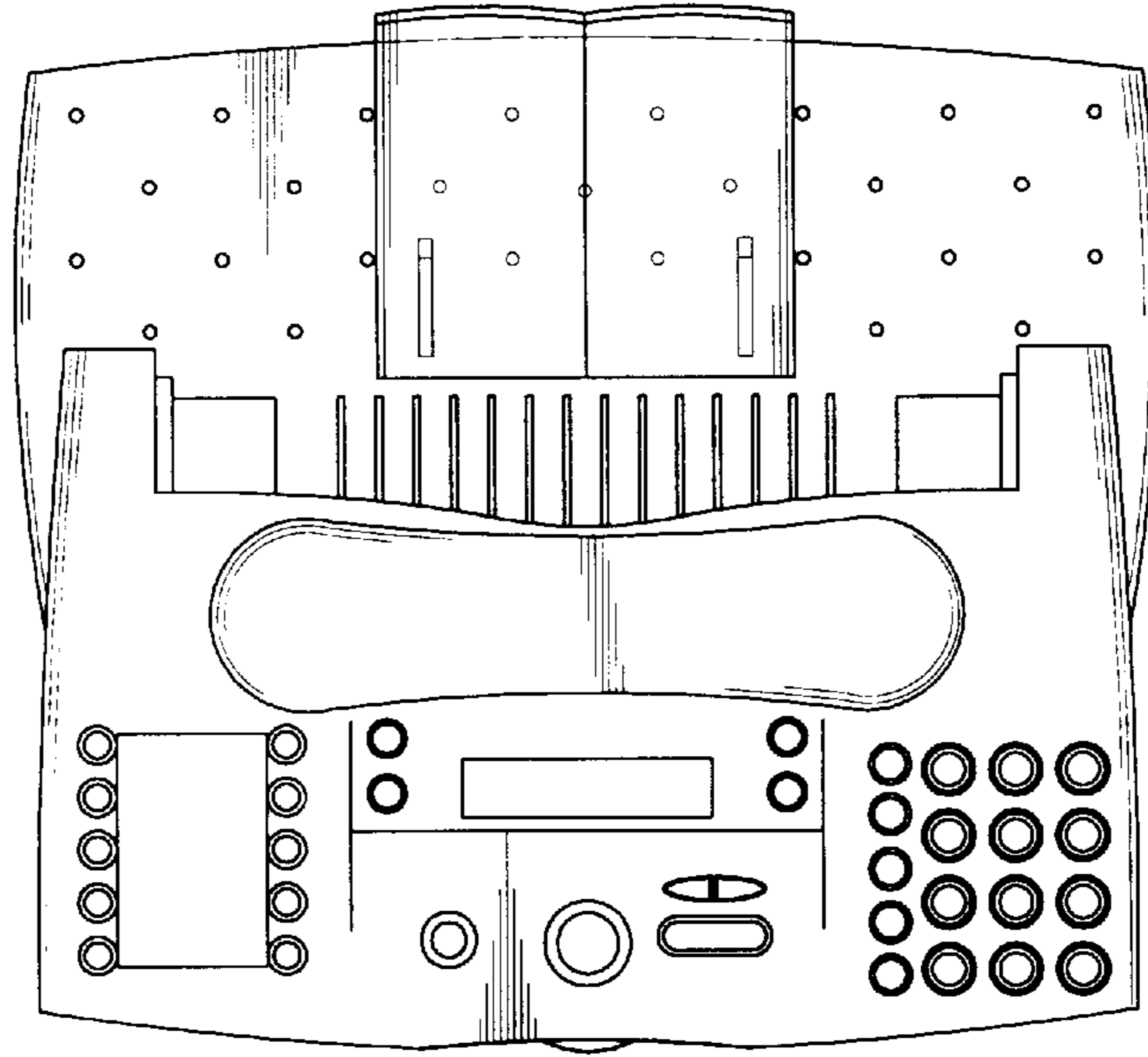


FIG. 5

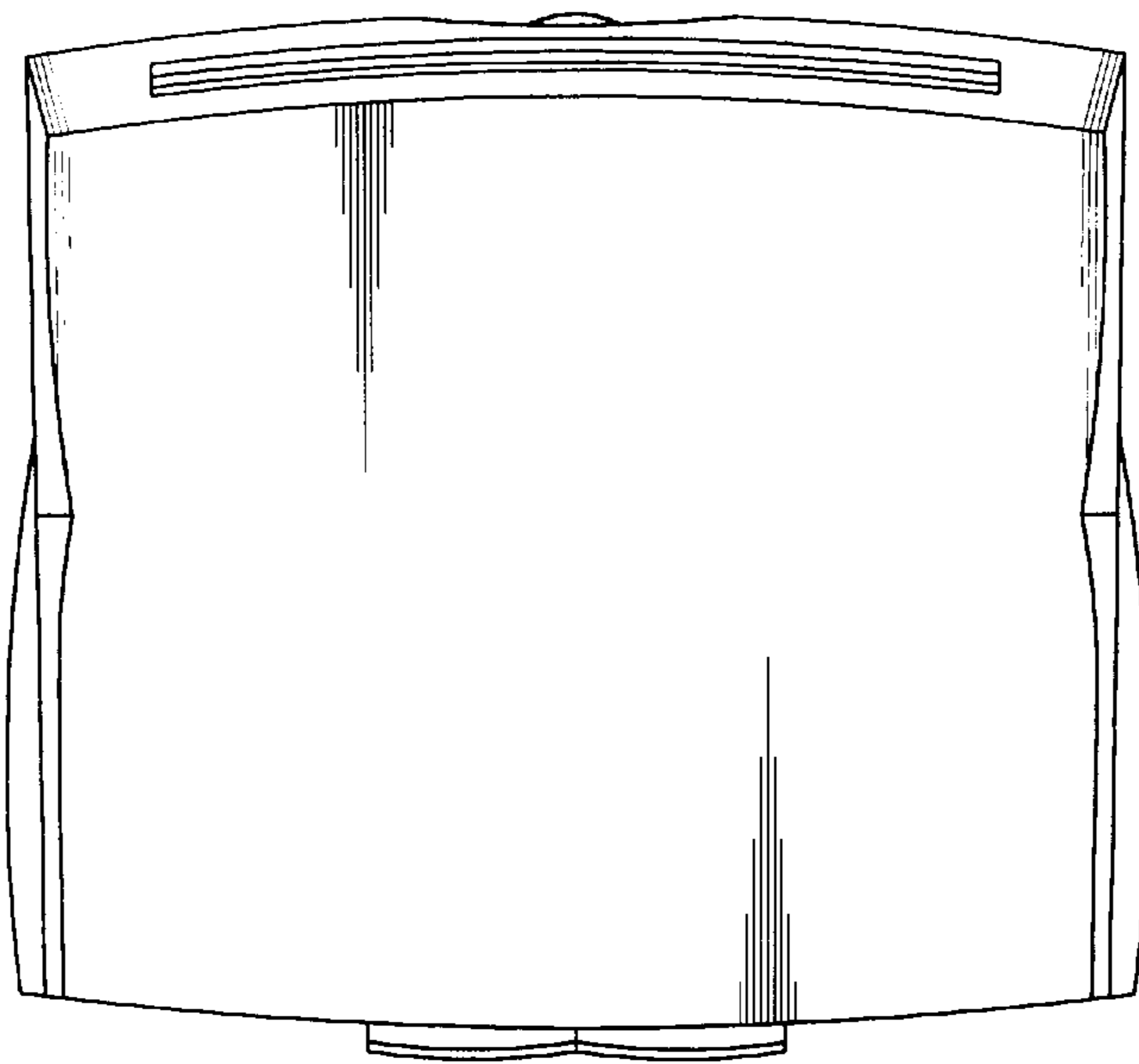


FIG. 6

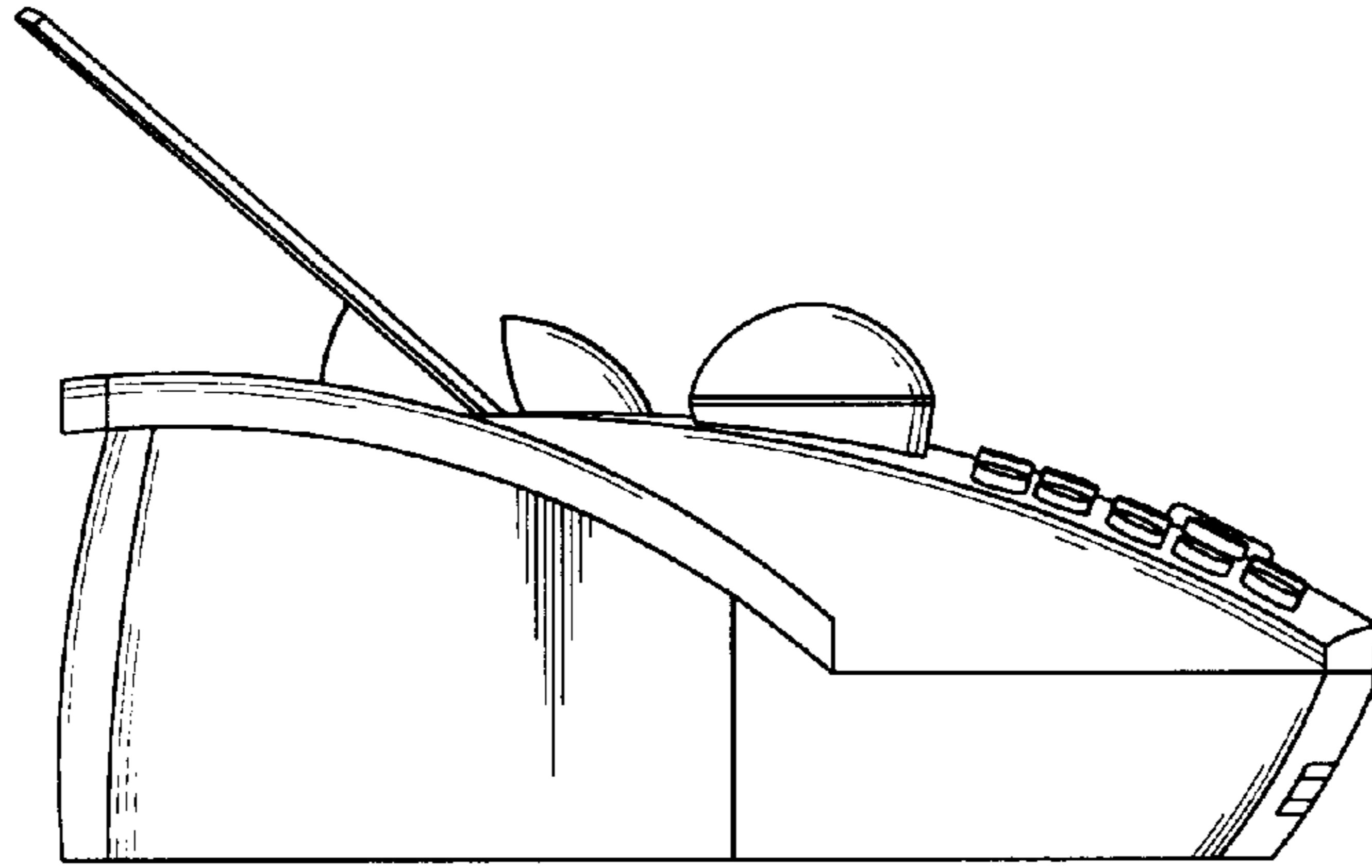


FIG. 7

