



US00D416549S

# United States Patent [19]

Coster et al.

[11] **Patent Number: Des. 416,549**

[45] **Date of Patent: \*\* Nov. 16, 1999**

[54] **COMPUTER DISPLAY**

D. 394,048 5/1998 Lee ..... D14/113

[75] Inventors: **Daniel J. Coster; Jonathan P. Ive,**  
both of San Francisco, Calif.

*Primary Examiner*—Freda Nunn  
*Attorney, Agent, or Firm*—Nancy R. Simon

[73] Assignee: **Apple Computer, Inc.,** Cupertino,  
Calif.

[57] **CLAIM**

[\*\*] Term: **14 Years**

The ornamental design for a computer display, as shown.

[21] Appl. No.: **29/087,640**

### DESCRIPTION

[22] Filed: **May 6, 1998**

FIG. 1 is a front, top, right side perspective view of a computer display, showing our new design;

[51] **LOC (6) Cl.** ..... **14-02**

FIG. 2 is a rear, top, right side perspective view thereof;

[52] **U.S. Cl.** ..... **D14/113; D14/126**

FIG. 3 is a front view thereof;

[58] **Field of Search** ..... D14/100, 101,  
D14/106, 113, 124–129; 345/104, 133,  
156, 168, 87, 173; 248/917–924; 348/180,  
184, 325, 739; 341/12; 349/1, 2, 11, 62

FIG. 4 is a right side view thereof;

FIG. 5 is a rear view thereof;

FIG. 6 is a left side view thereof;

FIG. 7 is a top view thereof; and,

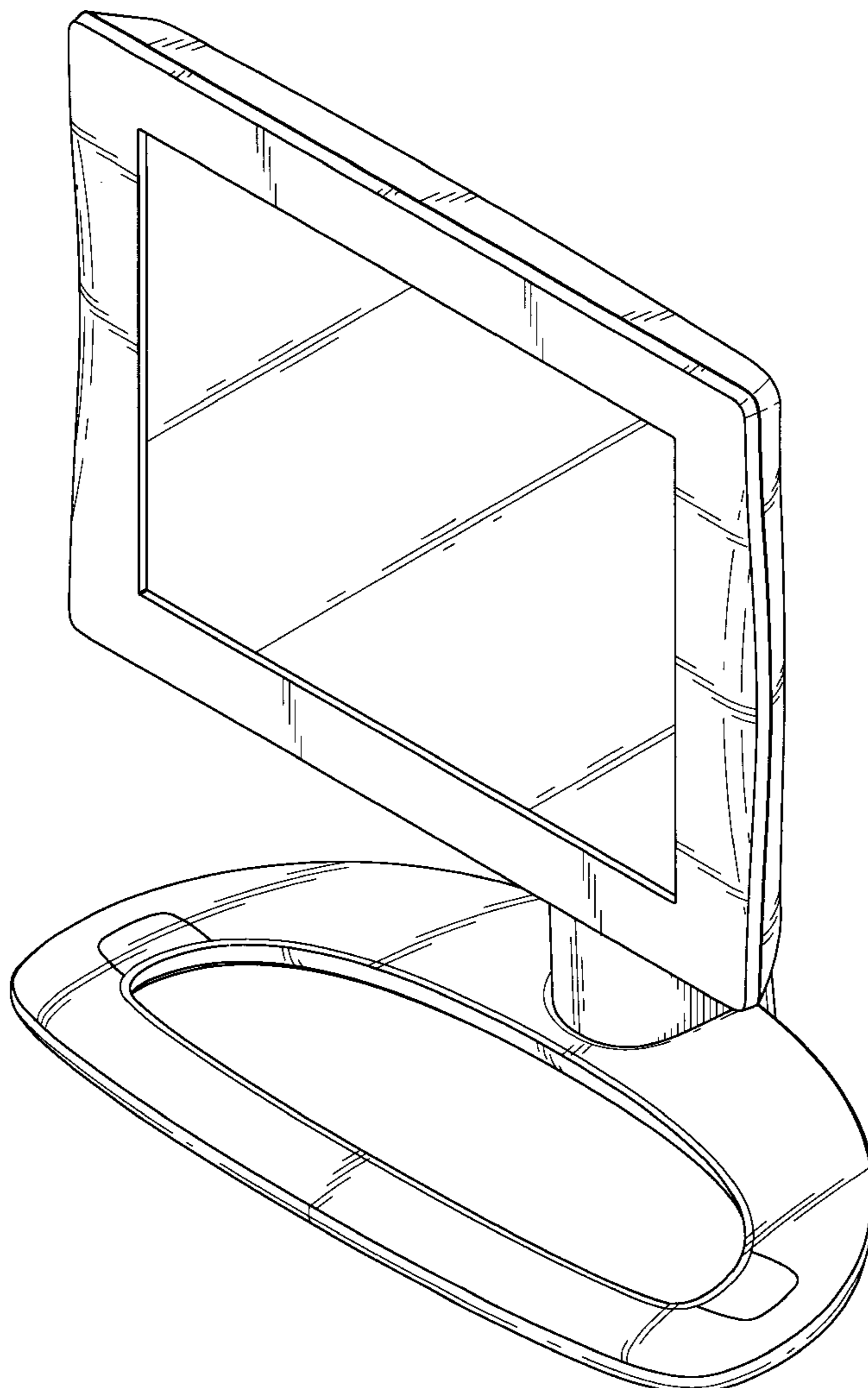
FIG. 8 is a bottom view of a thereof.

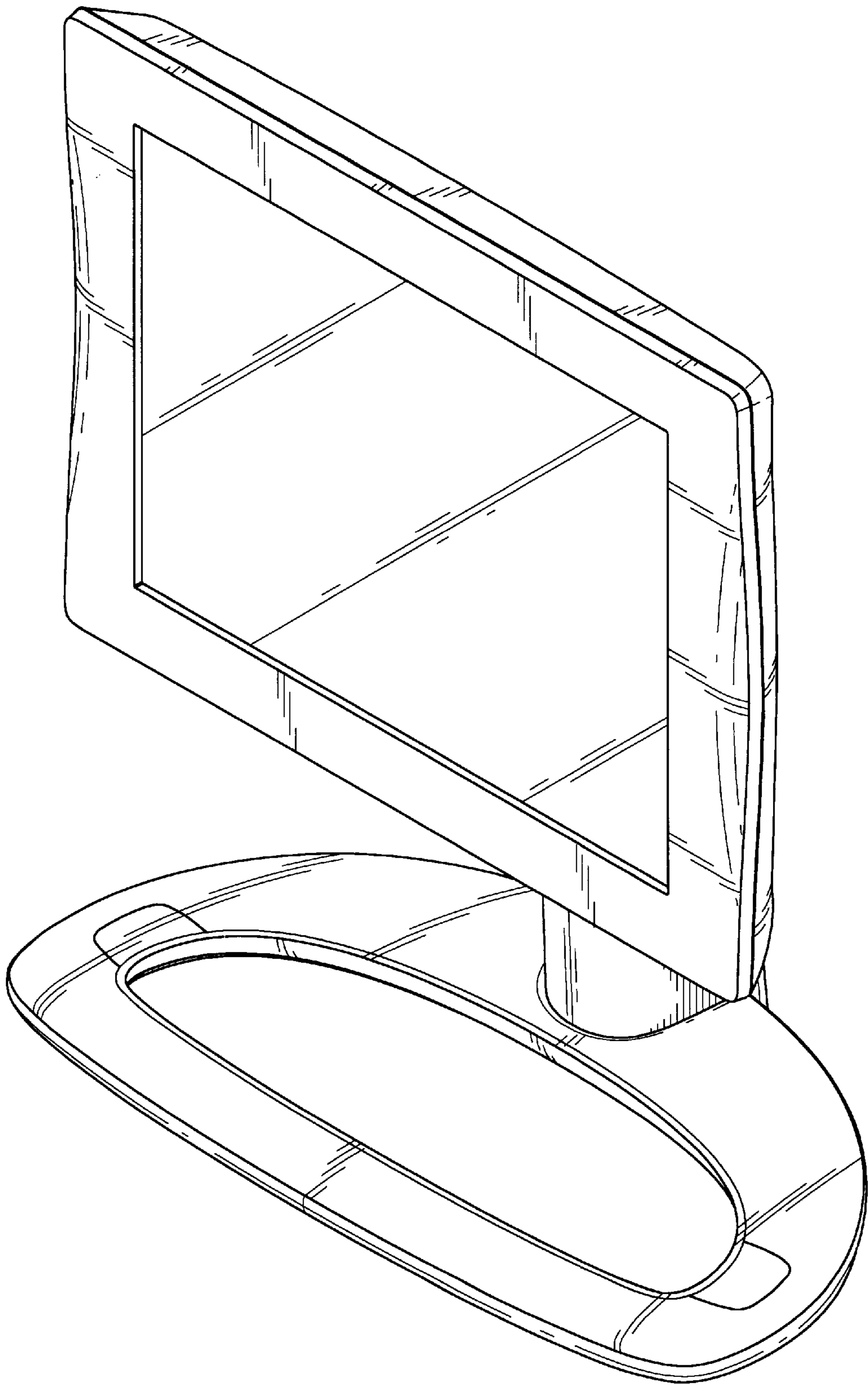
[56] **References Cited**

#### U.S. PATENT DOCUMENTS

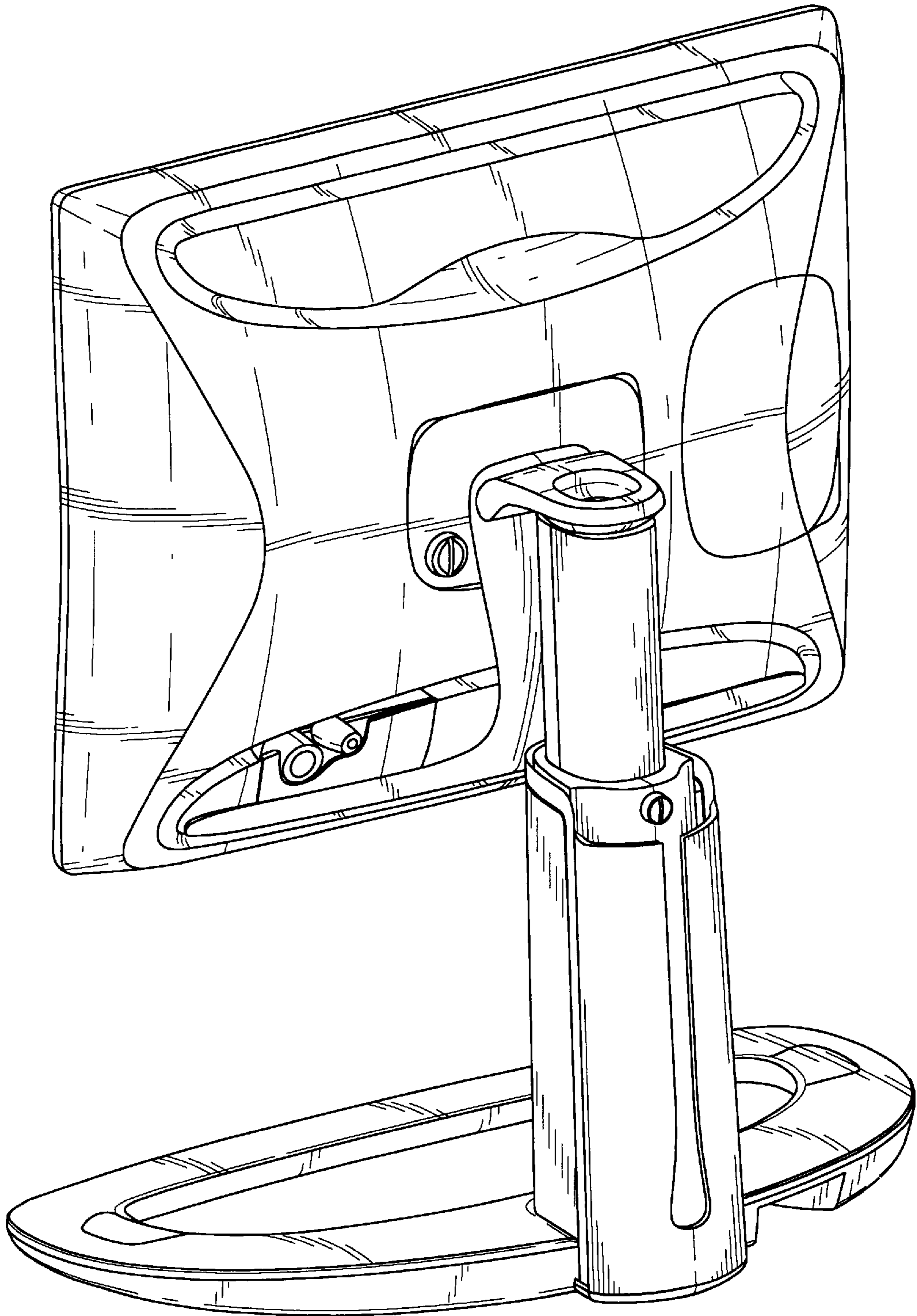
D. 349,489 8/1994 Wang ..... D14/113

**1 Claim, 7 Drawing Sheets**

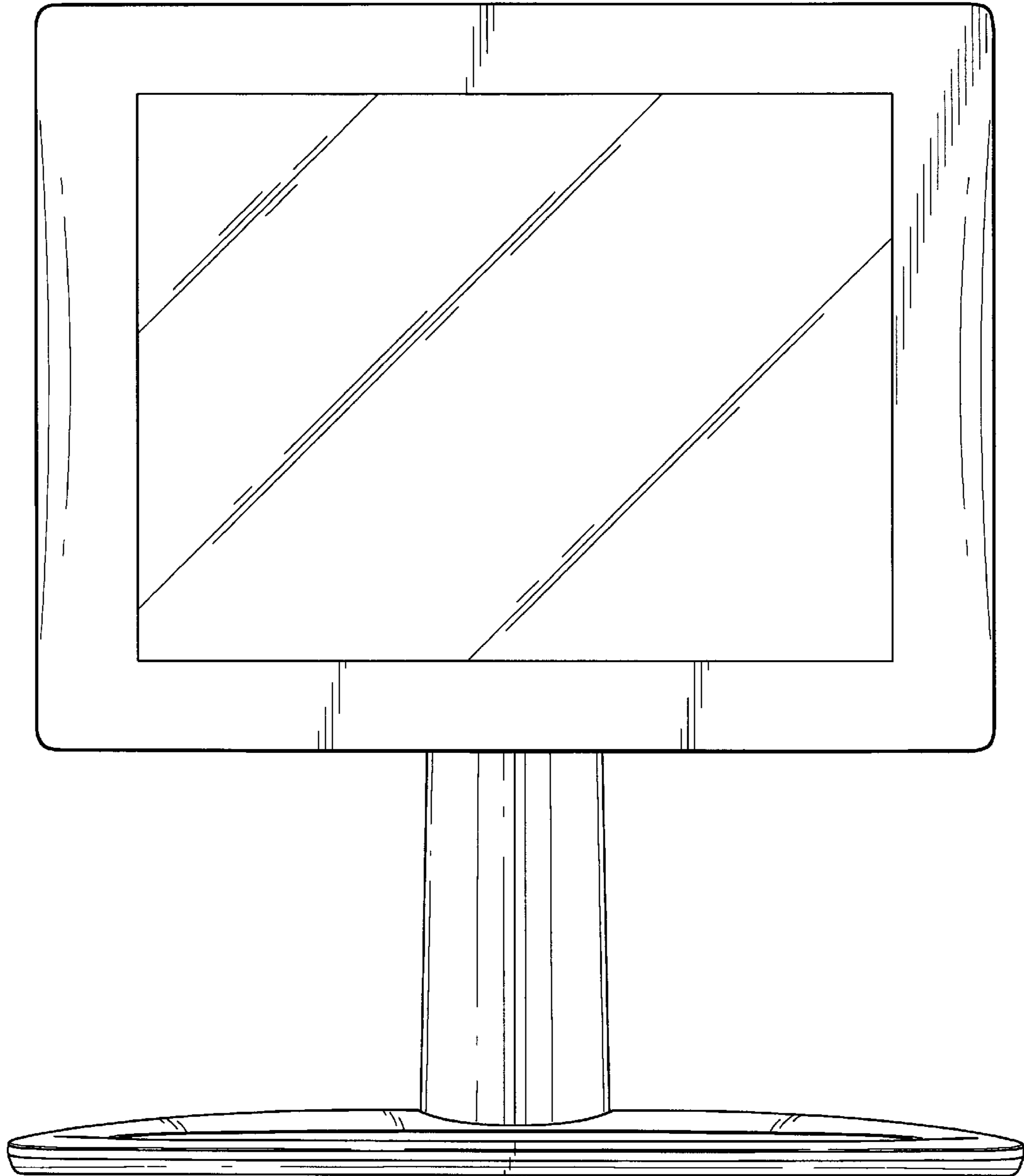




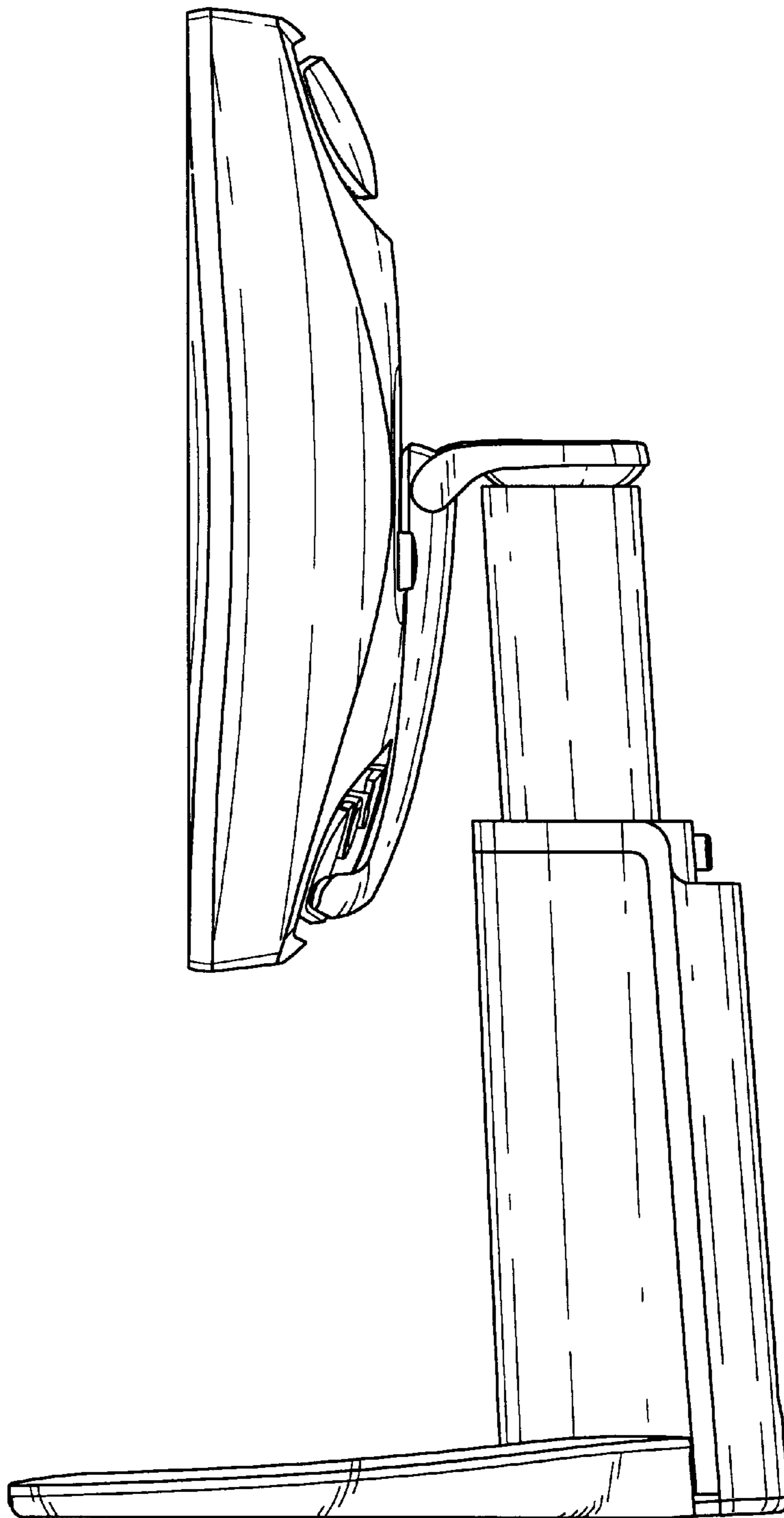
**FIG. 1**



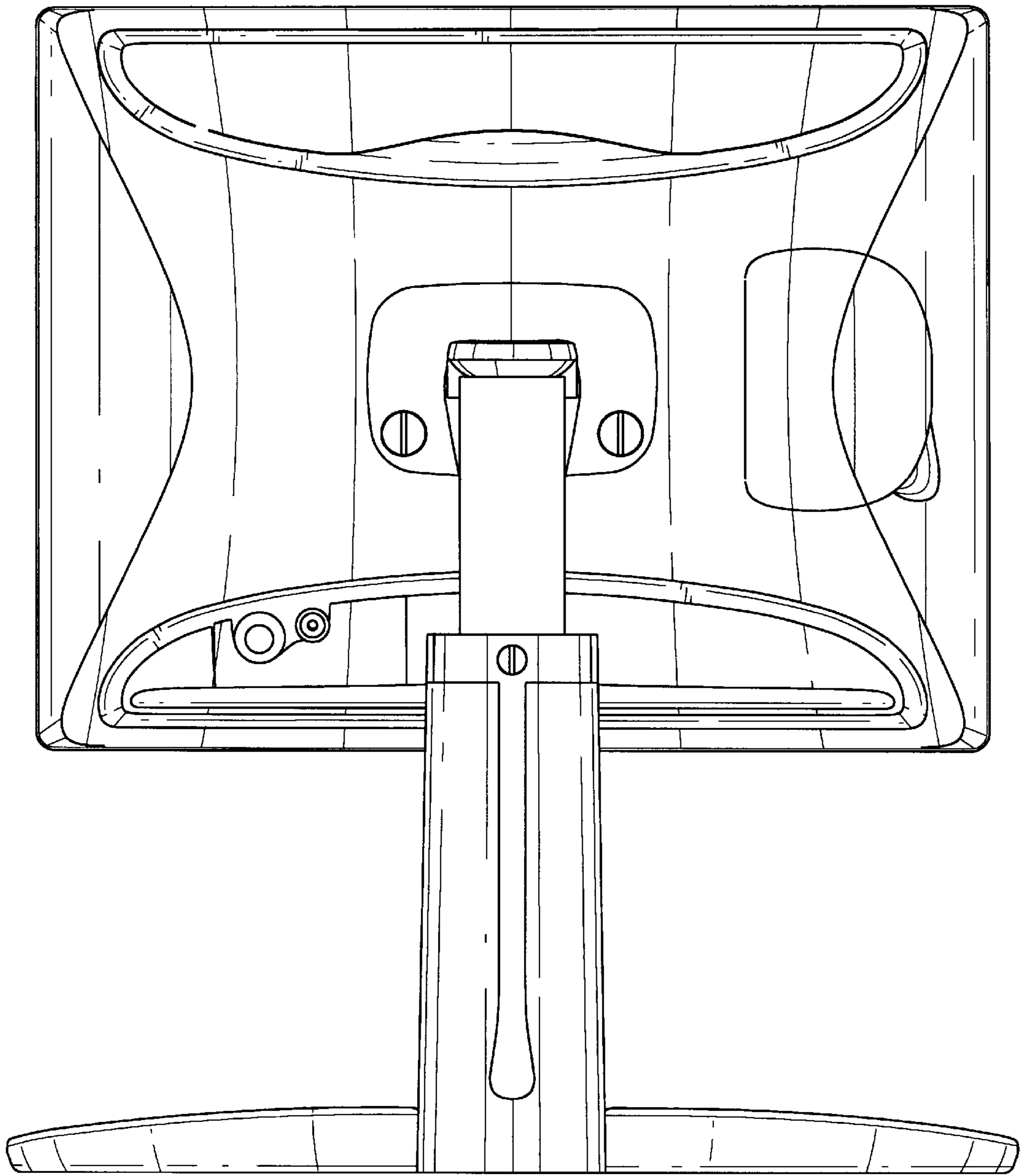
**FIG. 2**



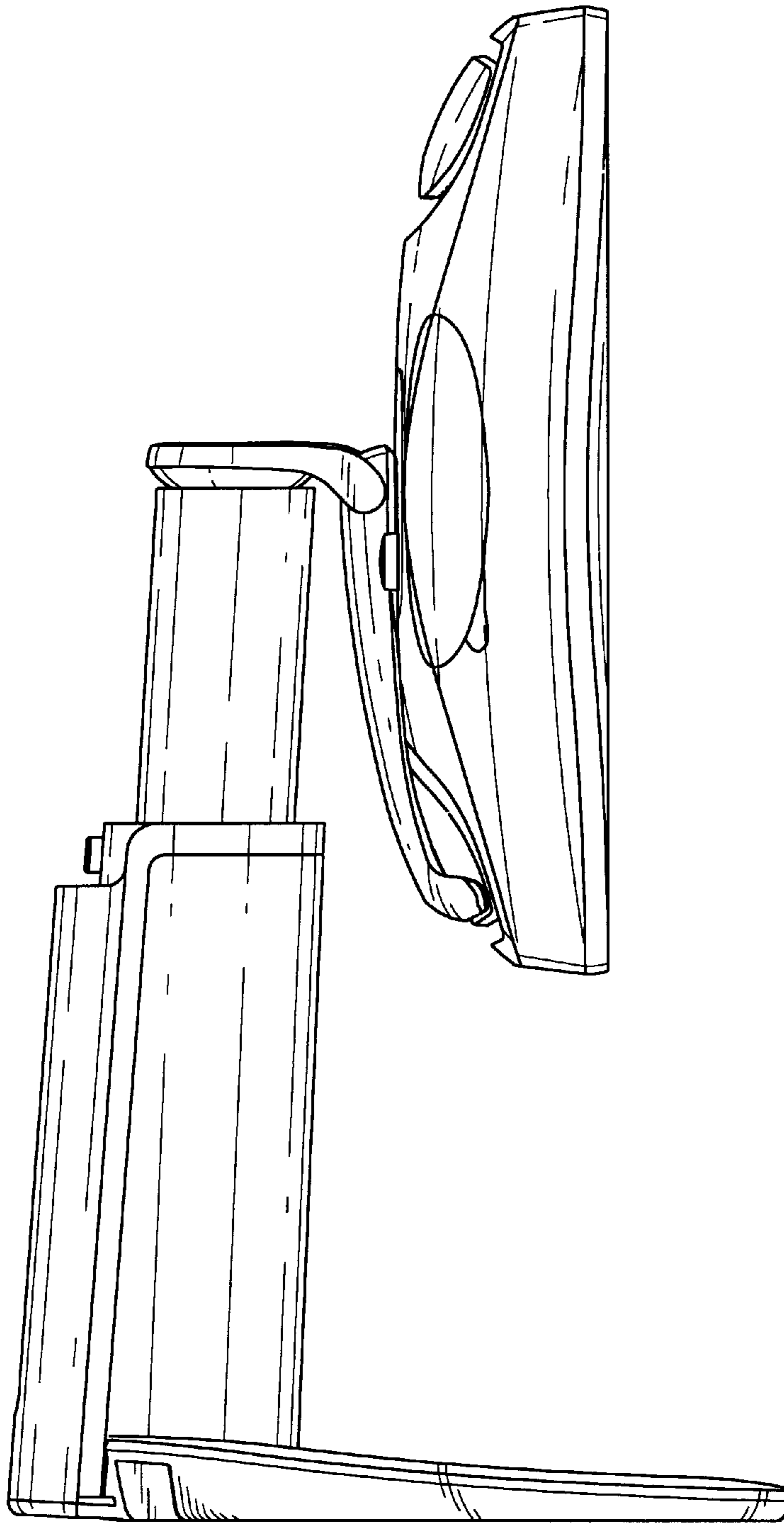
**FIG. 3**



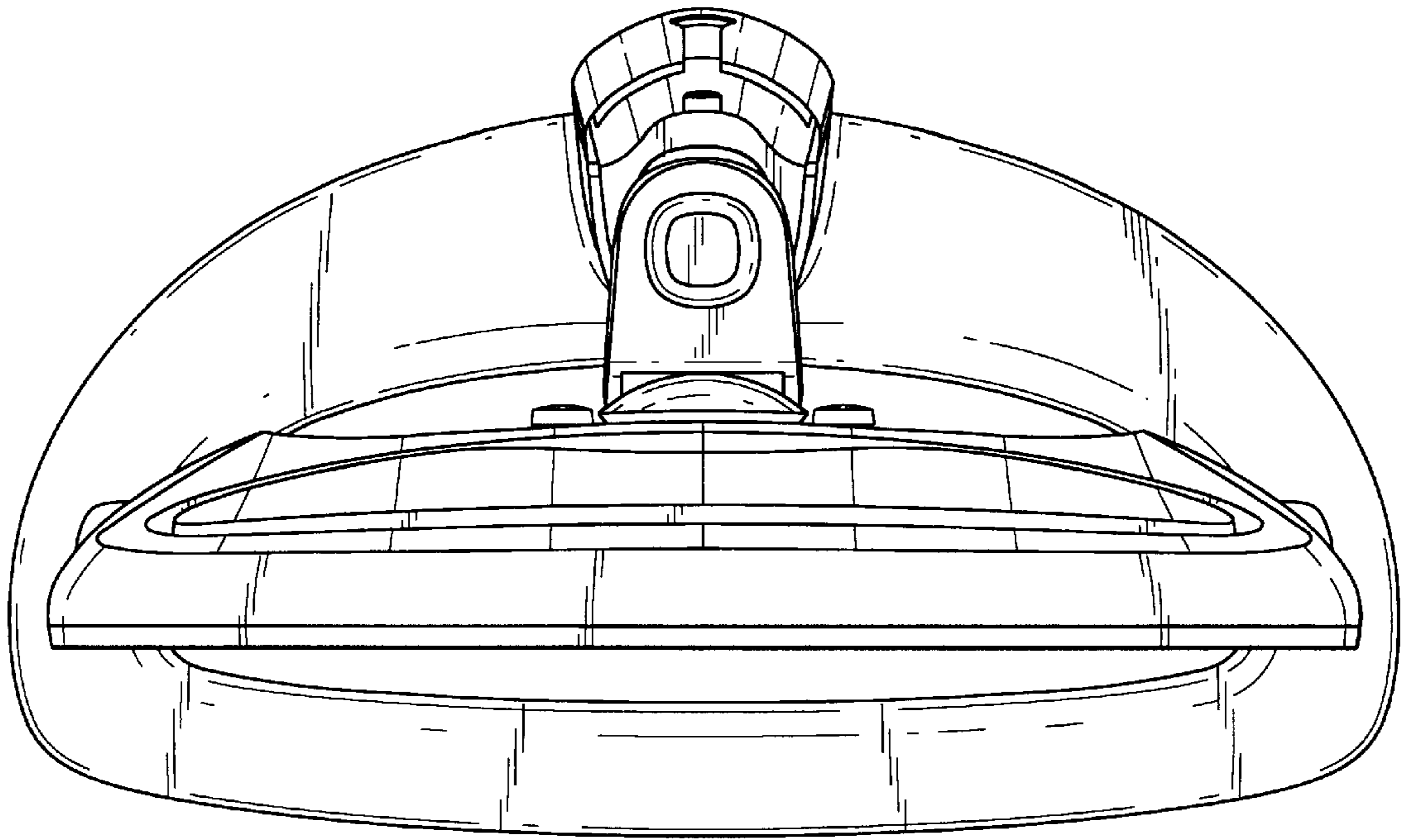
**FIG. 4**



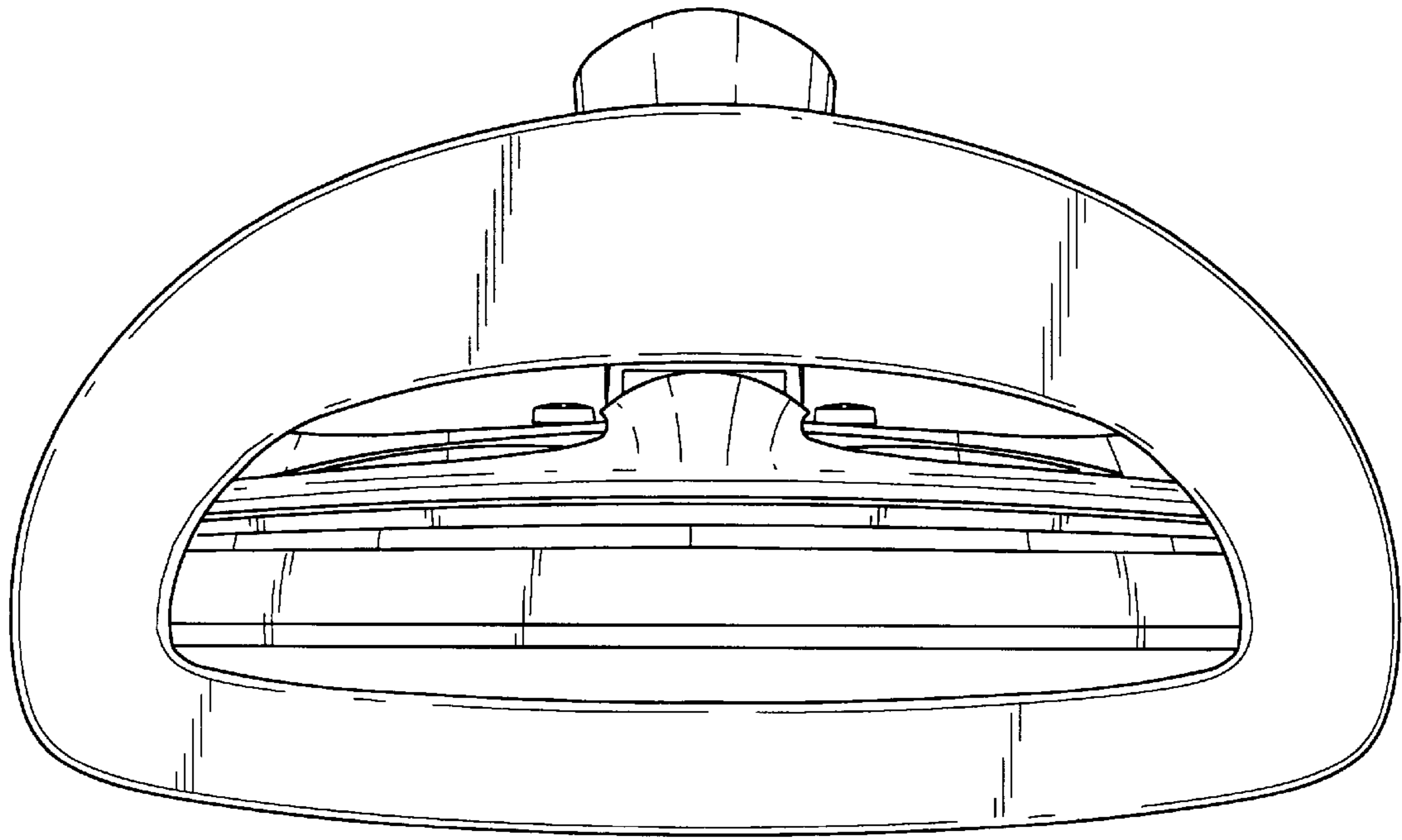
**FIG. 5**



**FIG. 6**



**FIG. 7**



**FIG. 8**