



US00D416545S

United States Patent [19]

Nicklos et al.

[11] Patent Number: Des. 416,545

[45] Date of Patent: ** *Nov. 16, 1999

[54] COMPUTER DATA STORAGE DEVICE

[75] Inventors: Carl F. Nicklos, Ogden, Utah; Nicholas Brawne, Columbus, Ohio

[73] Assignee: Iomega Corporation, Roy, Utah

[*] Notice: This patent is subject to a terminal disclaimer.

[**] Term: 14 Years

[21] Appl. No.: 29/049,704

[22] Filed: Jan. 29, 1996

D. 365,808	1/1996	Alden et al.	D14/107
D. 368,468	4/1996	Kobayashi	D14/100
D. 377,008	12/1996	Nicklos et al.	D14/100
D. 377,644	1/1997	Nicklos et al.	D14/100
4,051,735	10/1977	Johnson et al.	74/25
4,504,879	3/1985	Toldi et al.	360/105
4,571,646	2/1986	Bauck et al.	360/99
4,663,677	5/1987	Griffith et al.	360/71
4,722,012	1/1988	Toldi et al.	360/97
4,740,851	4/1988	Jones et al.	360/97
5,140,478	8/1992	Yoshida	360/97.01
5,182,698	1/1993	Kobayashi et al.	361/395
5,204,793	4/1993	Plonczak	360/97.01
5,363,273	11/1994	Ma	361/686
5,422,775	6/1995	Martin	360/133

Related U.S. Application Data

[63] Continuation of application No. 29/048,747, Aug. 25, 1995, Pat. No. Des. 377,644.

[51] LOC (6) Cl. 14-02

[52] U.S. Cl. D14/100

[58] Field of Search D14/100, 106, D14/107, 109; D13/162, 184, 199; 361/679-686; 364/708.1, 709.04, 709.12

References Cited

U.S. PATENT DOCUMENTS

D. 306,432	3/1990	Kato et al.	D14/100
D. 313,011	12/1990	Searle et al.	D14/100
D. 332,445	1/1993	Lin	D14/109
D. 334,917	4/1993	Miyamoto	D14/108
D. 337,997	8/1993	Brunner et al.	D14/109
D. 346,593	5/1994	Mizusugi et al.	D14/109
D. 352,702	11/1994	Austin	D14/108
D. 354,500	1/1995	Georgopoulos	D14/242
D. 356,784	3/1995	Hill et al.	D14/108
D. 358,138	5/1995	Koyanagi et al.	D14/109
D. 359,852	7/1995	Wicks	D14/109
D. 360,197	7/1995	Ikenaga	D14/107
D. 365,338	12/1995	Kabasawa et al.	D14/109

FOREIGN PATENT DOCUMENTS

WO 93/18507 9/1993 WIPO .

Primary Examiner—Freda Nunn
Attorney, Agent, or Firm—Woodcock Washburn Kurtz Mackiewicz & Norris LLP

[57] CLAIM

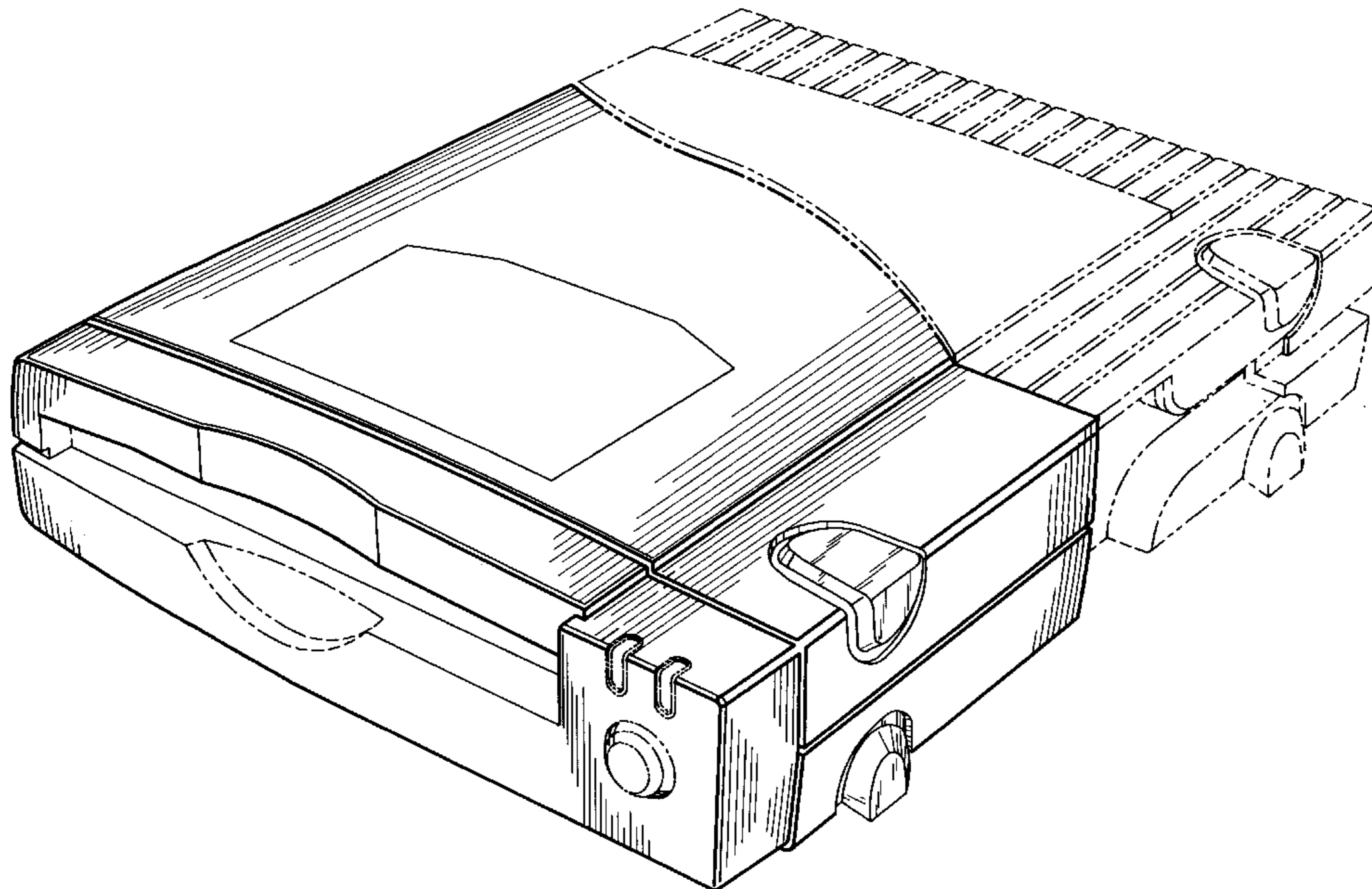
The ornamental design for a computer data storage device, as shown and described.

DESCRIPTION

FIG. 1 is a top front and side perspective view of a computer data storage device incorporating our new design; FIG. 2 is a bottom front and side perspective view thereof; FIG. 3 is a rear elevational view thereof; FIG. 4 is a top plan view thereof; FIG. 5 is a bottom plan view thereof; FIG. 6 is a side elevational view thereof; and FIG. 7 is an opposite side elevational view thereof; and, FIG. 8 is a front elevational view thereof.

The broken lines shown in the views are for illustrative purposes only and form no part of the claimed design.

1 Claim, 8 Drawing Sheets



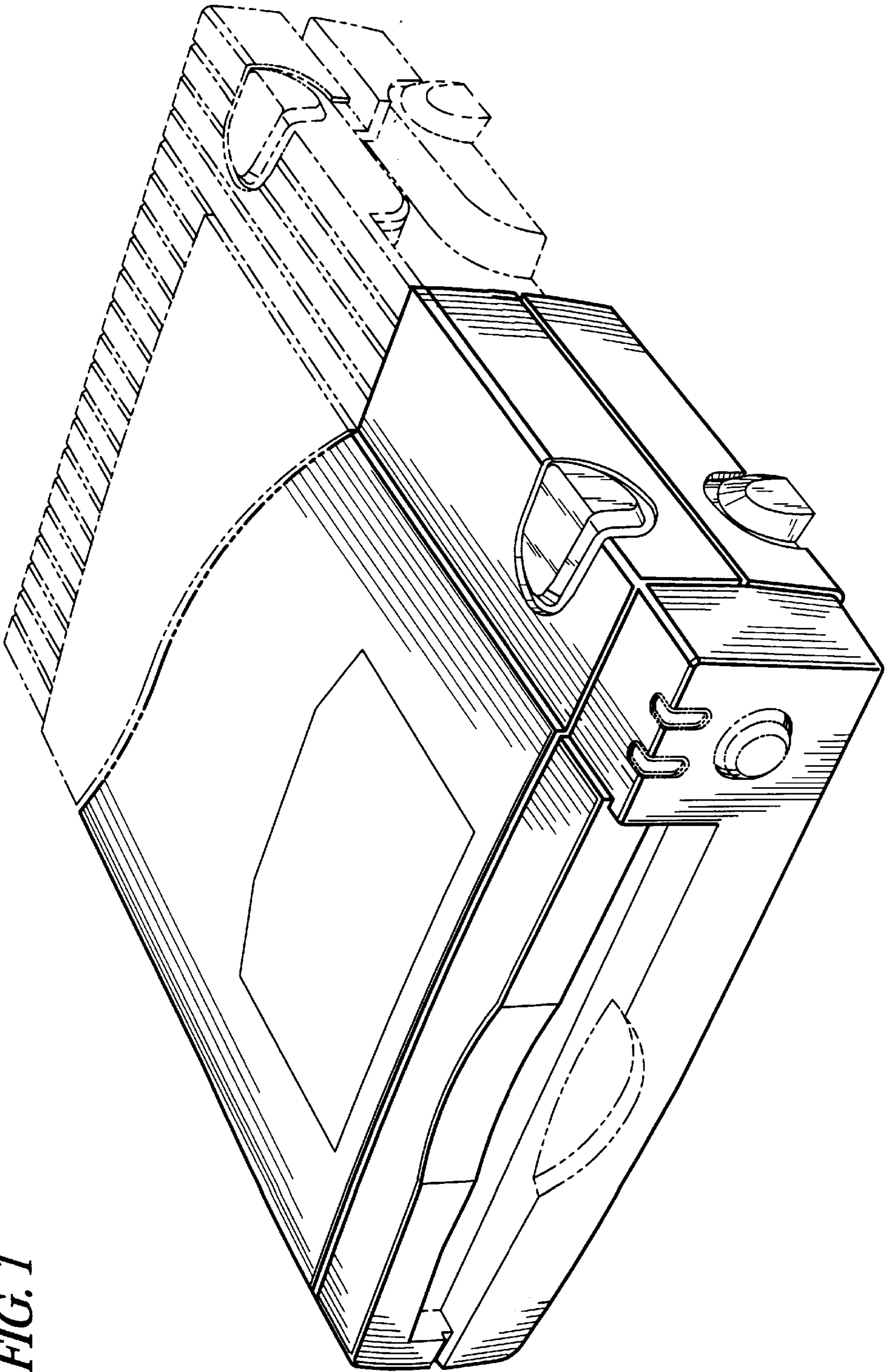


FIG. 1

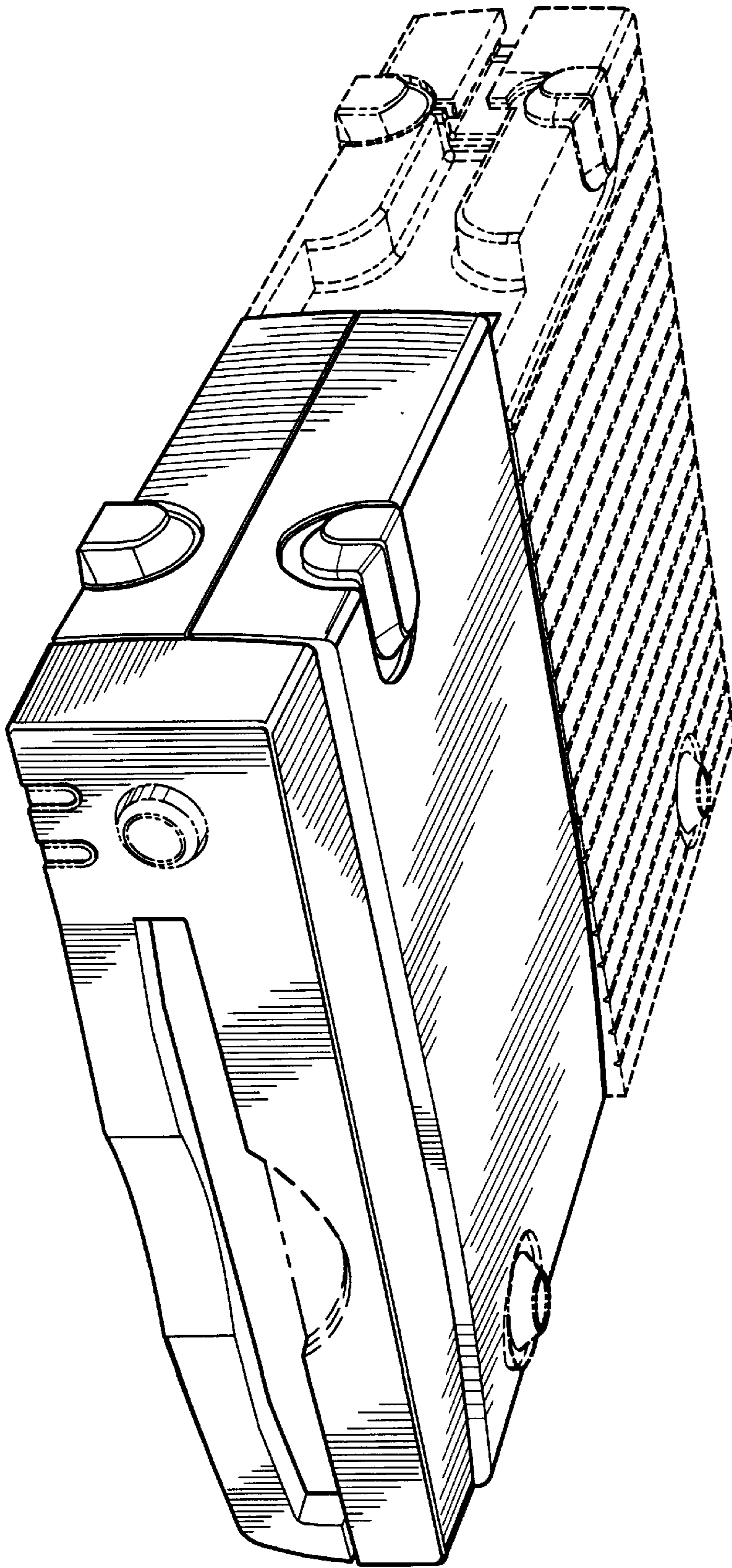
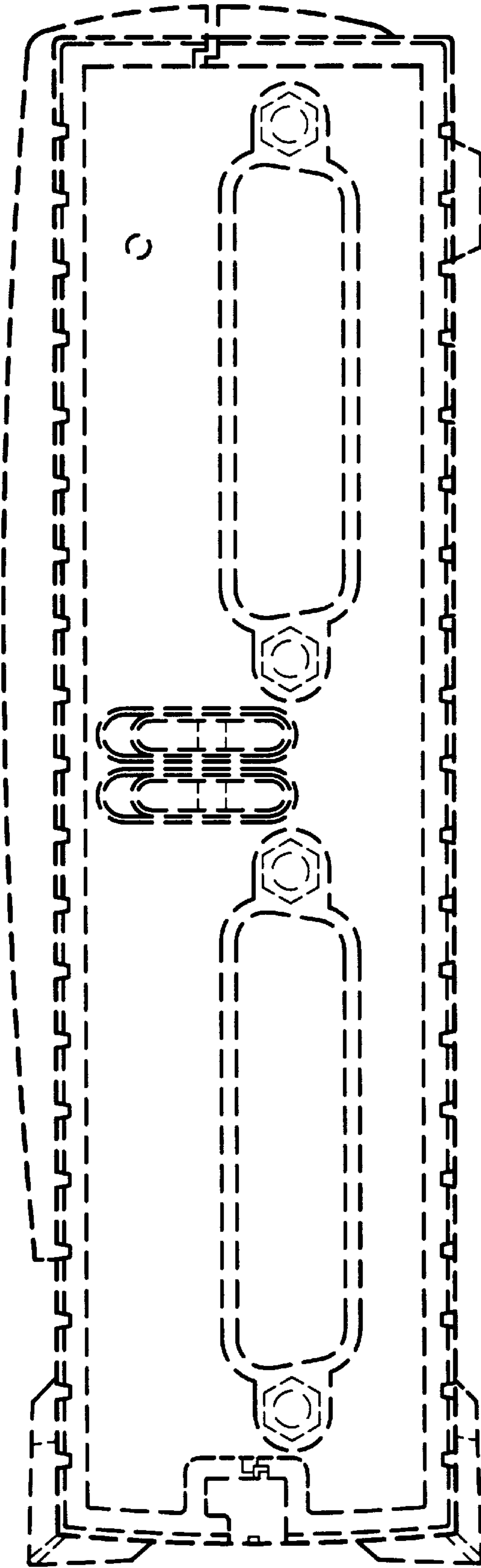


FIG. 2

FIG. 3



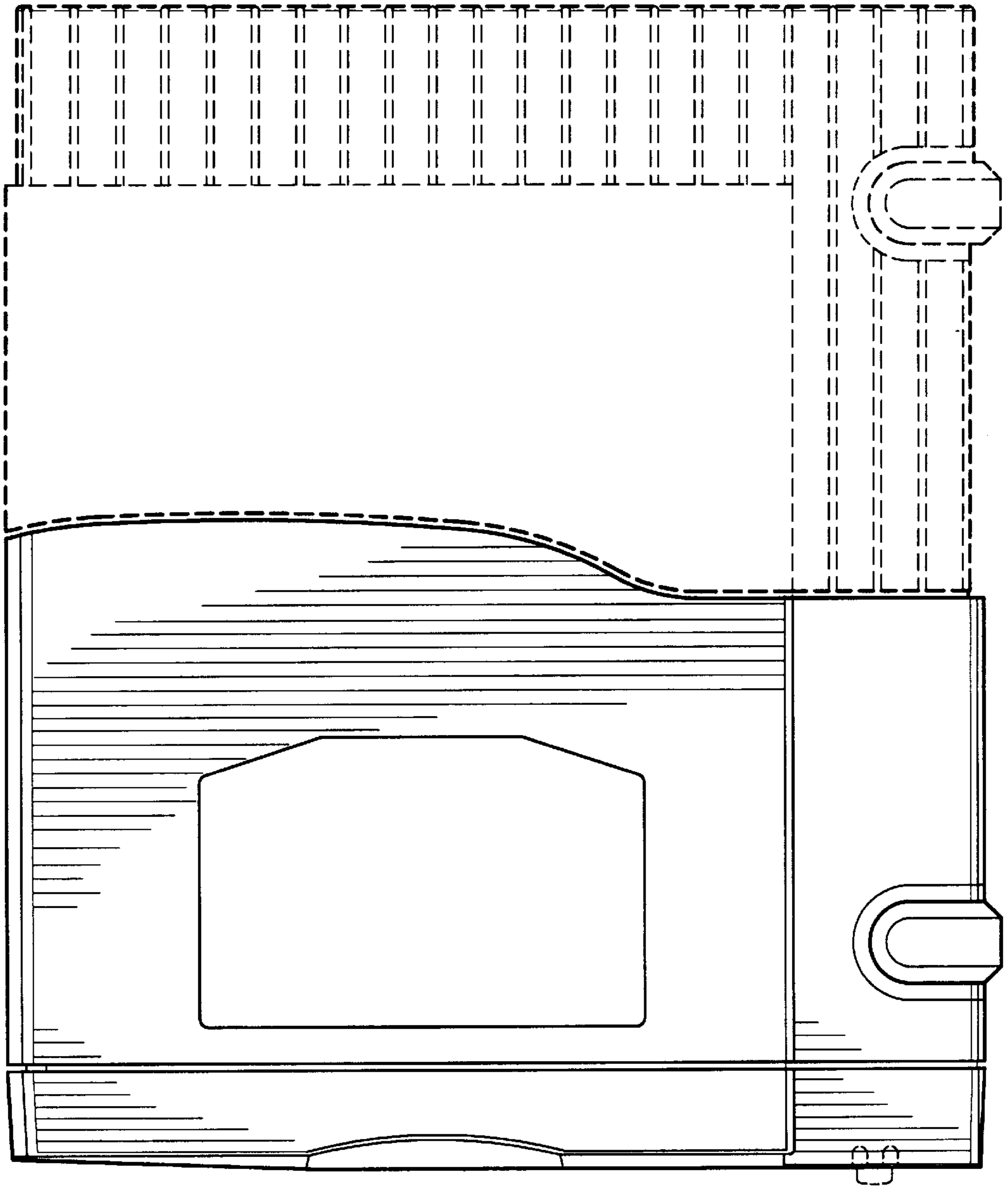


FIG. 4

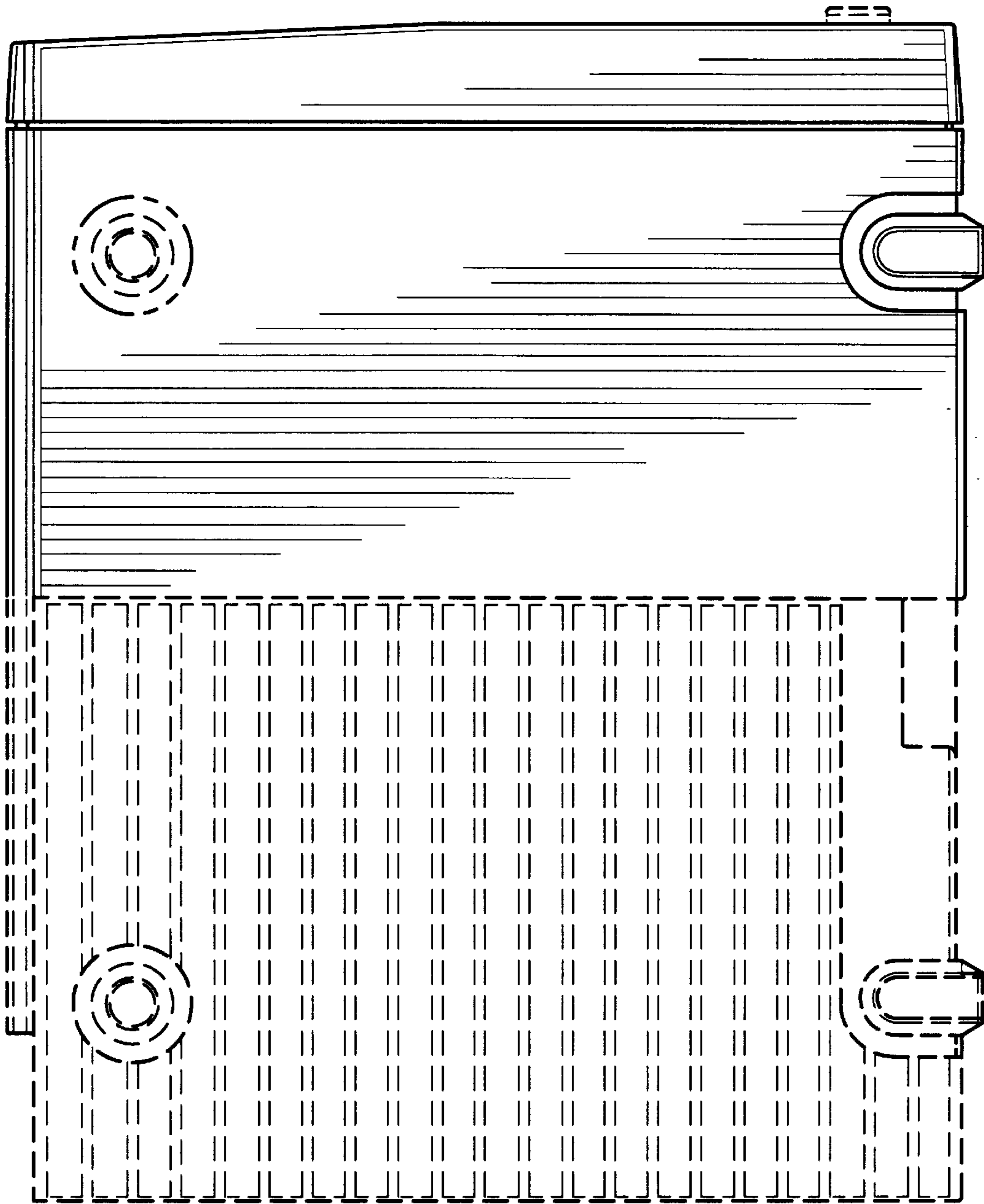


FIG. 5

FIG. 6

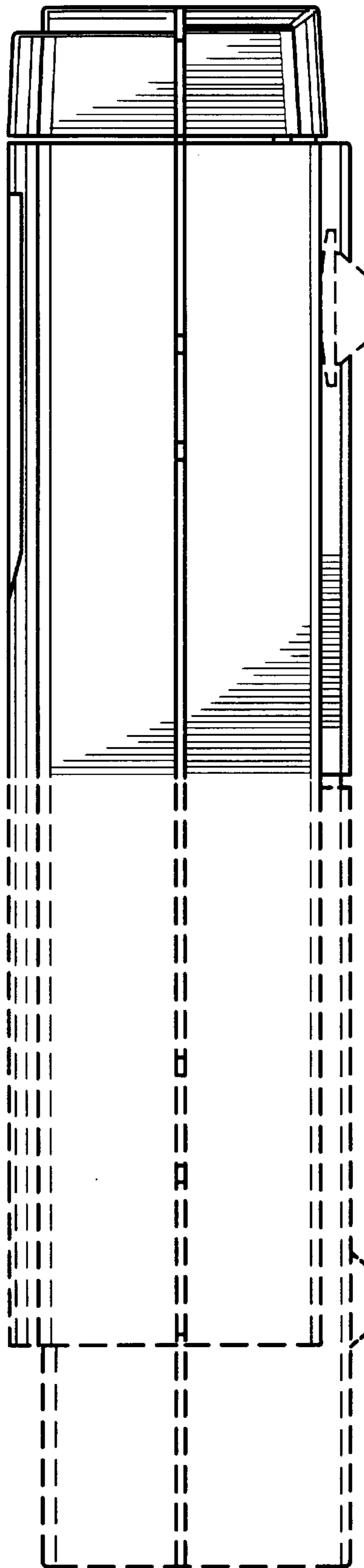
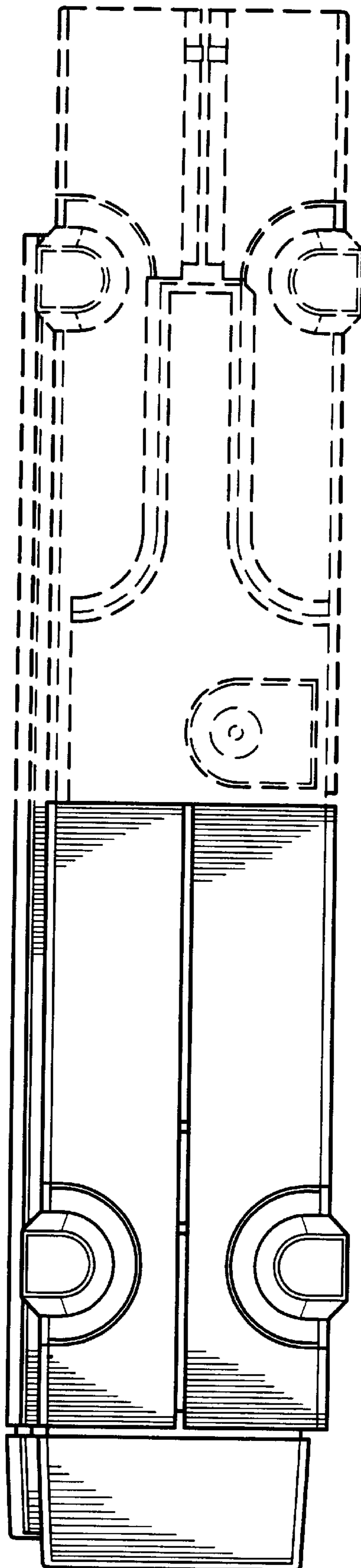


FIG. 7



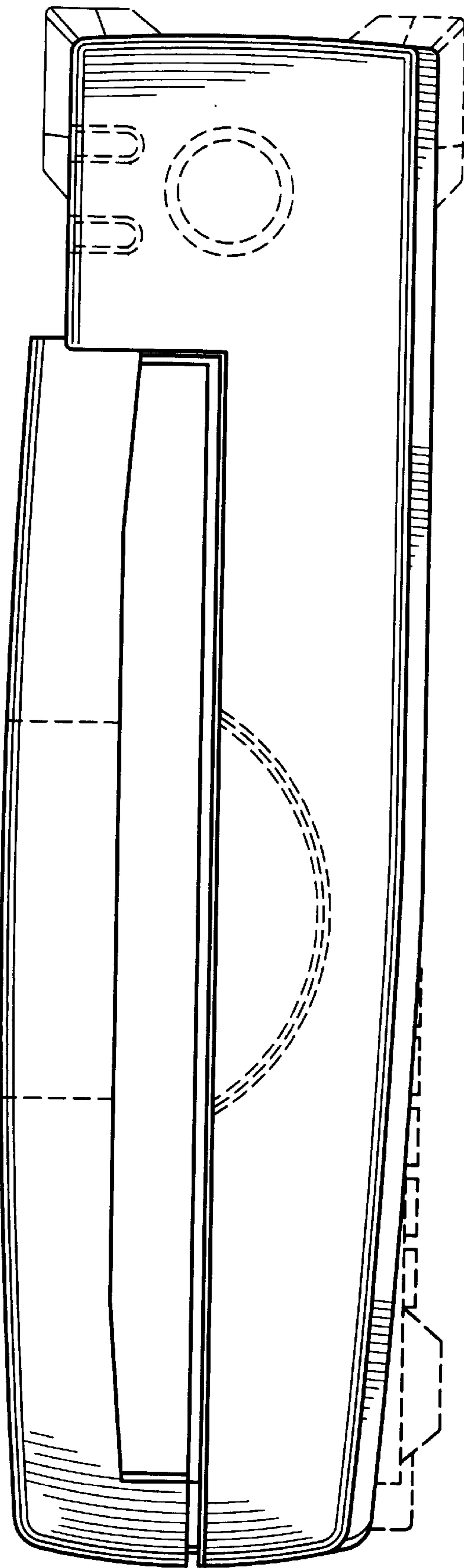


FIG. 8