



US00D416543S

United States Patent [19] Tsai

[11] **Patent Number: Des. 416,543**

[45] **Date of Patent: ** Nov. 16, 1999**

[54] **CABLE CONNECTOR ASSEMBLY**

[75] Inventor: **Thomas R. L. Tsai**, Tu-Chen, Taiwan

[73] Assignee: **Hon Hai Precision Ind. Co., Ltd.**,
Taipei Hsien, Taiwan

[**] Term: **14 Years**

[21] Appl. No.: **29/104,656**

[22] Filed: **May 10, 1999**

[30] **Foreign Application Priority Data**

Dec. 8, 1998 [TW] Taiwan 87308955

[51] **LOC (6) Cl.** **13-03**

[52] **U.S. Cl.** **D13/153; D13/147**

[58] **Field of Search** D13/133, 146,
D13/147, 153; 439/502, 459, 304, 610

[56] **References Cited**

U.S. PATENT DOCUMENTS

D. 381,629 7/1997 Goto D13/147

D. 407,376	3/1999	Copeland et al.	D13/153
D. 409,149	5/1999	Oikawa	D13/153
D. 409,150	5/1999	Davis et al.	D13/153
5,169,332	12/1992	Cooke et al.	439/304
5,573,425	11/1996	Morisawa et al.	439/502
5,593,315	1/1997	Kinoshita et al.	439/459

Primary Examiner—Joel Sincavage
Attorney, Agent, or Firm—Wei Te Chung

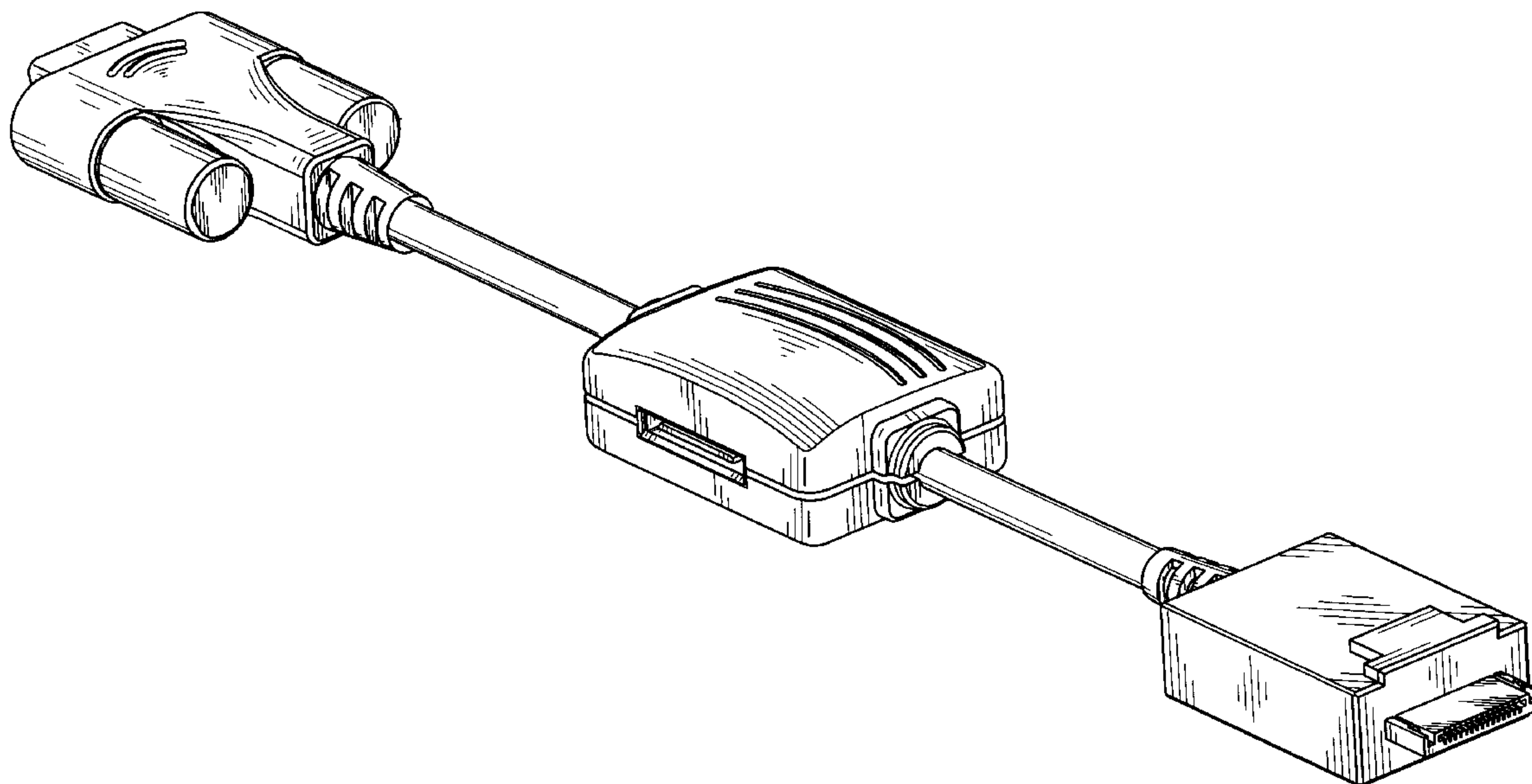
[57] **CLAIM**

The ornamental design for a cable connector assembly, as shown.

DESCRIPTION

FIG. 1 is a front-right-top perspective view of a cable connector assembly showing my new design; FIG. 2 is a front elevational view thereof; FIG. 3 is a rear elevational view thereof; FIG. 4 is a left side elevational view thereof; FIG. 5 is a right side elevational view thereof; FIG. 6 is a top plan view thereof; and, FIG. 7 is a bottom plan view thereof.

1 Claim, 6 Drawing Sheets



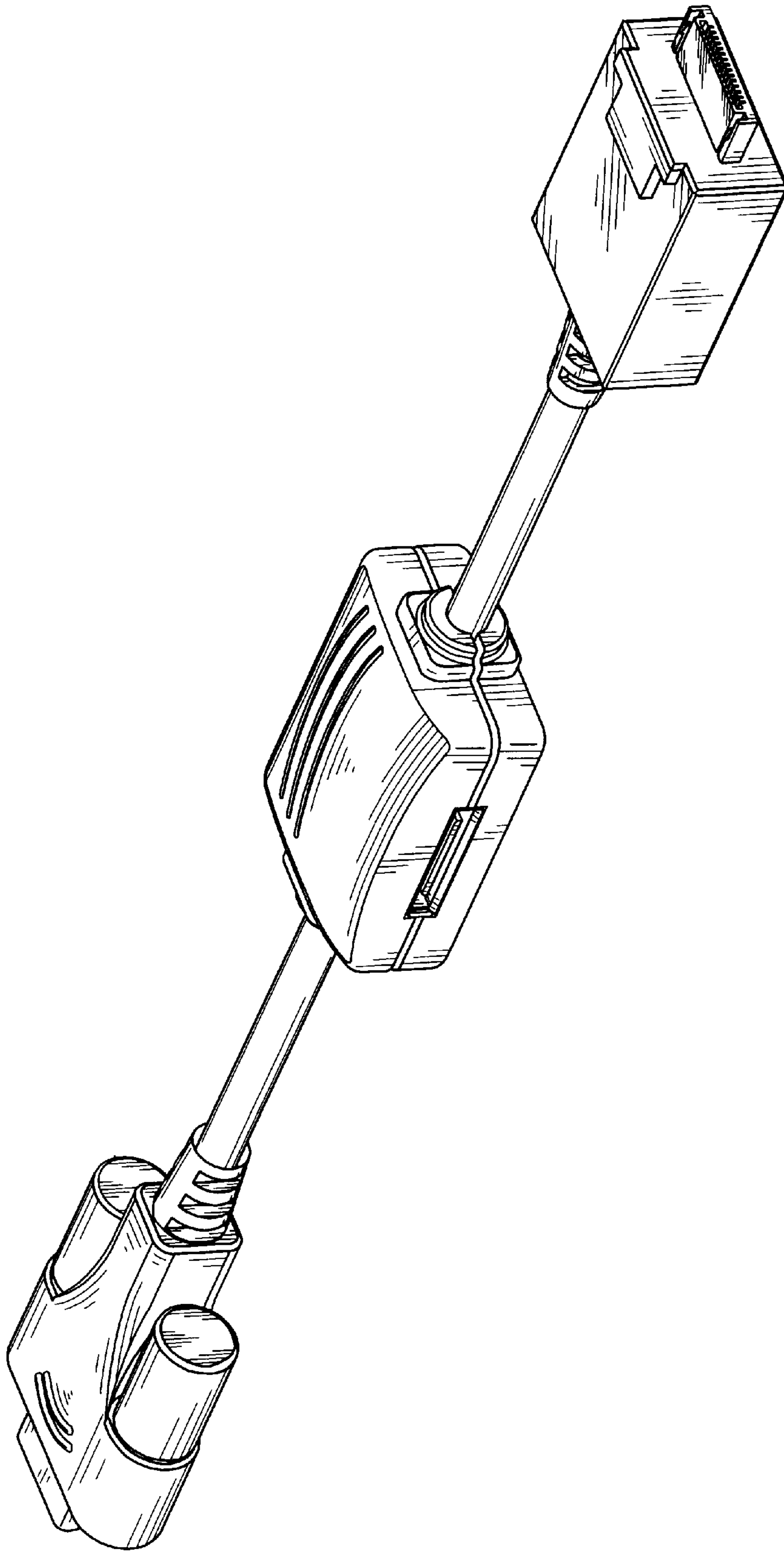


FIG. 1

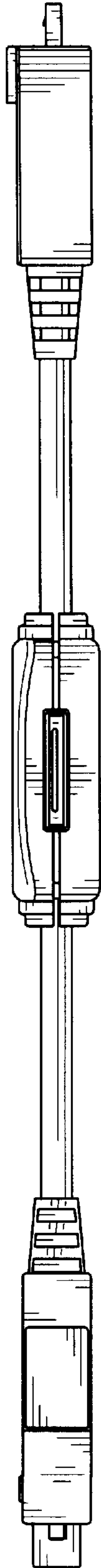


FIG.2

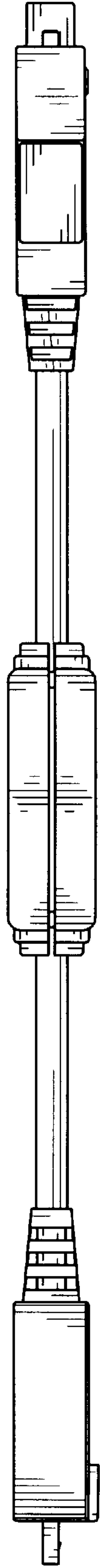


FIG.3

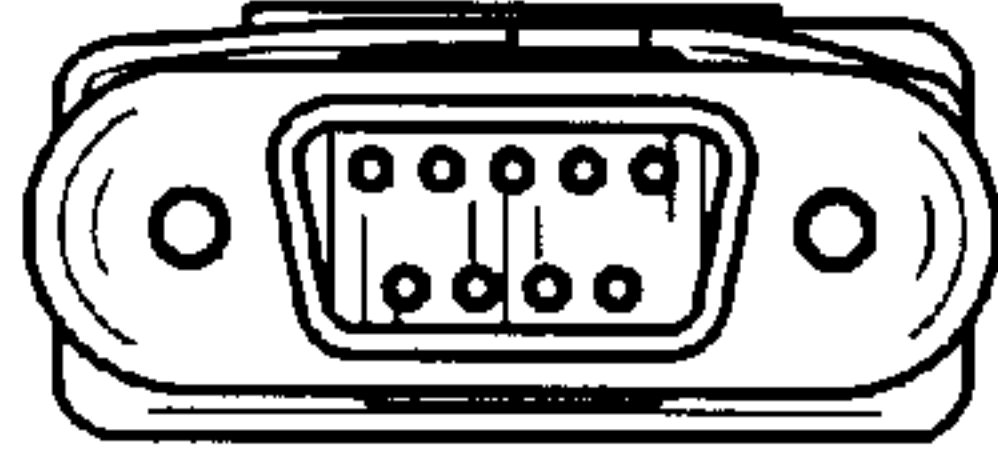


FIG. 4

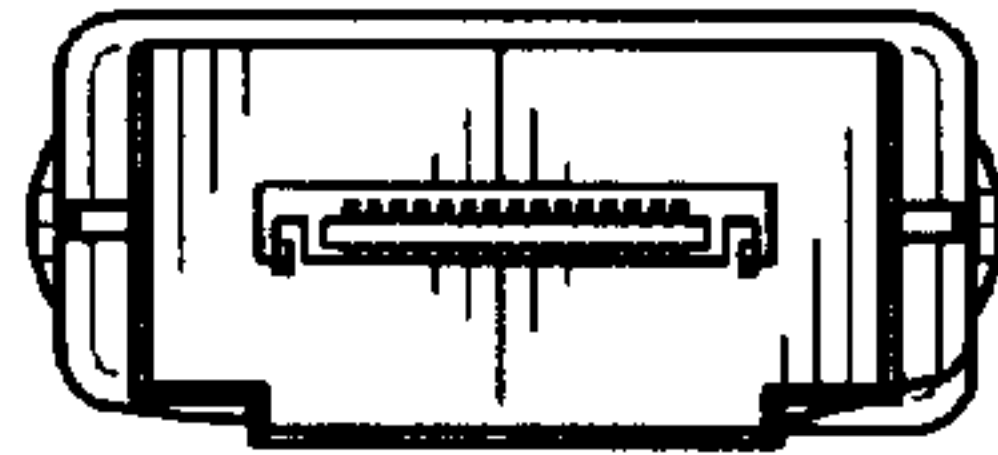


FIG. 5

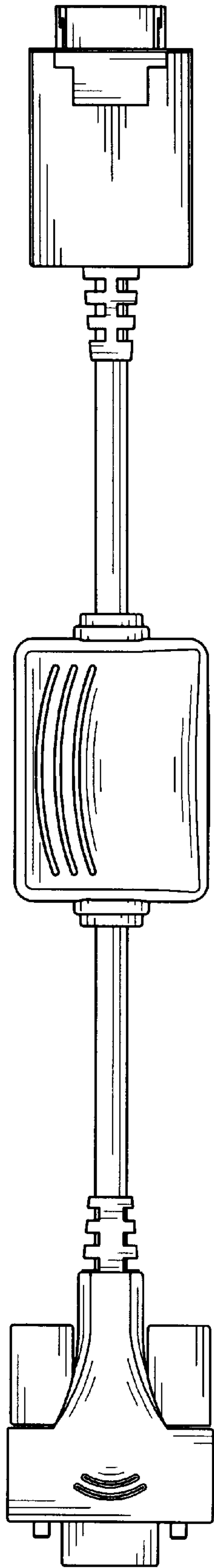


FIG.6

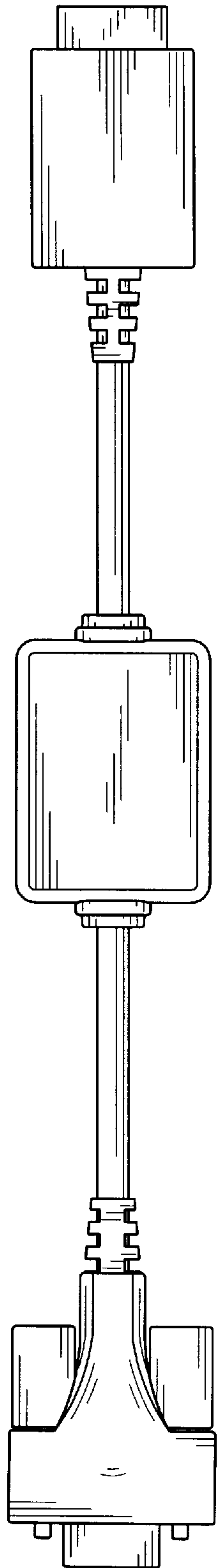


FIG. 7