



US00D416542S

# United States Patent [19] Tsai

[11] **Patent Number: Des. 416,542**

[45] **Date of Patent: \*\* Nov. 16, 1999**

[54] **CABLE CONNECTOR ASSEMBLY**

[75] Inventor: **Thomas R. L. Tsai**, Tu-Chen, Taiwan

[73] Assignee: **Hon Hai Precision Ind. Co., Ltd.**,  
Taipei Hsien, Taiwan

[\*\*] Term: **14 Years**

[21] Appl. No.: **29/104,655**

[22] Filed: **May 10, 1999**

[30] **Foreign Application Priority Data**

Dec. 18, 1998 [TW] Taiwan ..... 87309235

[51] **LOC (6) Cl.** ..... **13-03**

[52] **U.S. Cl.** ..... **D13/153; D13/147**

[58] **Field of Search** ..... D13/133, 146,  
D13/147, 153; 439/502, 459, 304, 610

[56] **References Cited**

**U.S. PATENT DOCUMENTS**

D. 363,700 10/1995 Buongervino et al. .... D13/147

D. 407,376	3/1999	Copeland et al. ....	D13/153
D. 409,149	5/1999	Oikawa .....	D13/153
D. 409,150	5/1999	Davis et al. ....	D13/153
5,593,315	1/1997	Kinoshita et al. ....	439/459
5,797,771	8/1998	Garside .....	439/610

*Primary Examiner*—Joel Sincavage  
*Attorney, Agent, or Firm*—Wei Te Chung

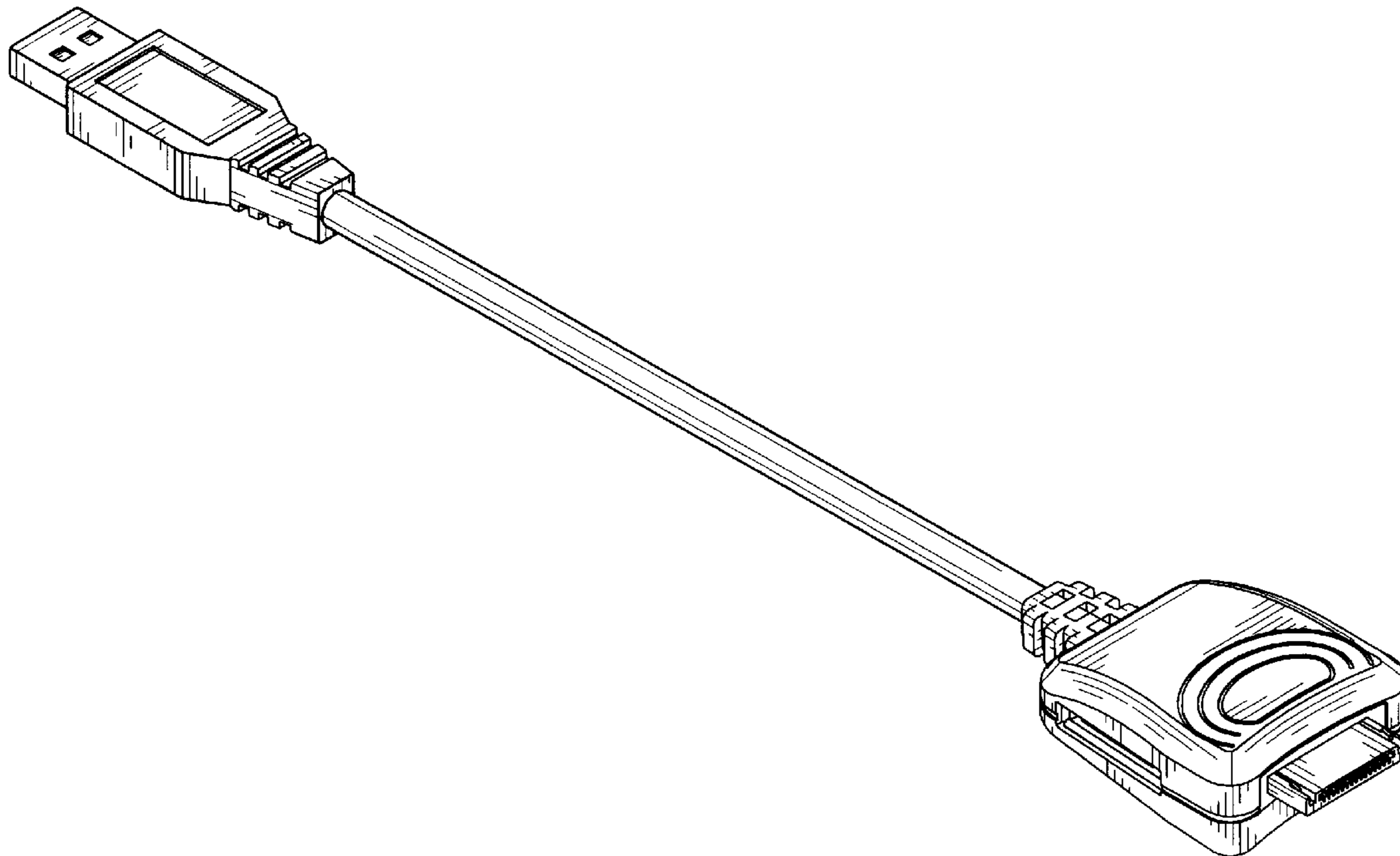
[57] **CLAIM**

The ornamental design for a cable connector assembly, as shown.

**DESCRIPTION**

FIG. 1 is a front-right-top perspective view of a cable connector assembly showing my new design; FIG. 2 is a front elevational view thereof; FIG. 3 is a rear elevational view thereof; FIG. 4 is a right side elevational view thereof; FIG. 5 is a left side elevational view thereof; FIG. 6 is a top plan view thereof; and, FIG. 7 is a bottom plan view thereof.

**1 Claim, 7 Drawing Sheets**



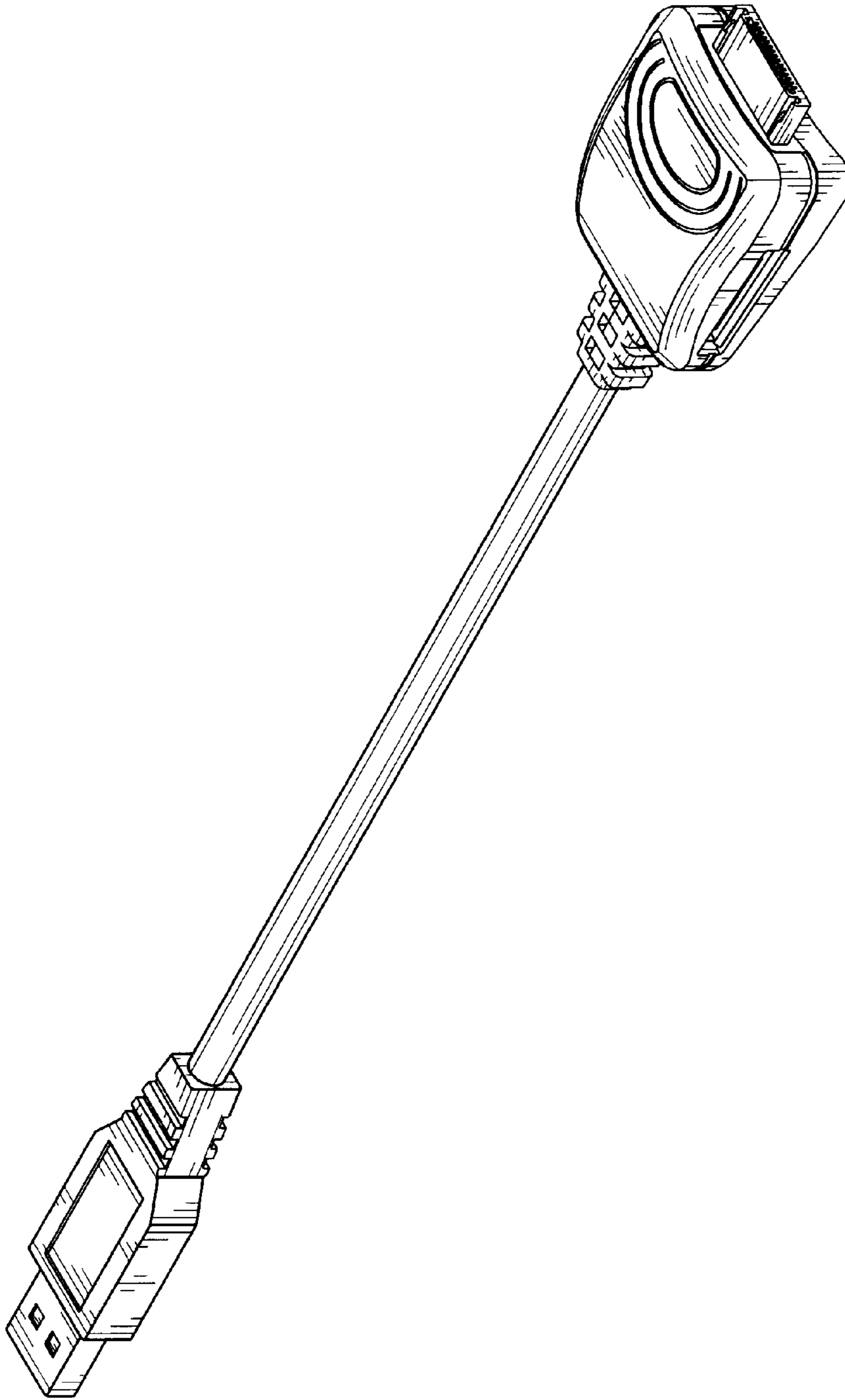


FIG. 1

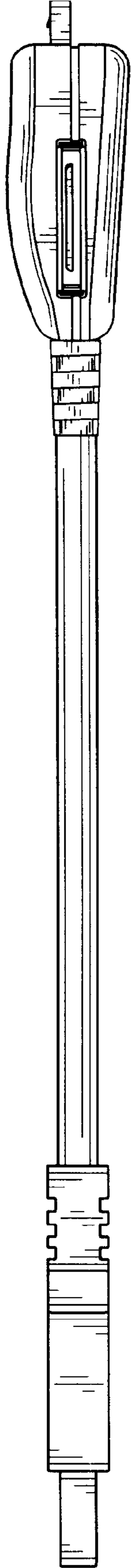


FIG. 2

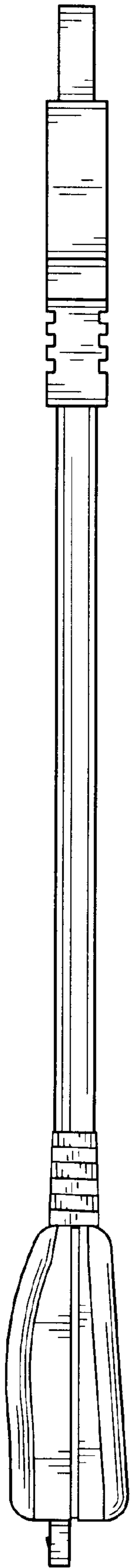


FIG. 3

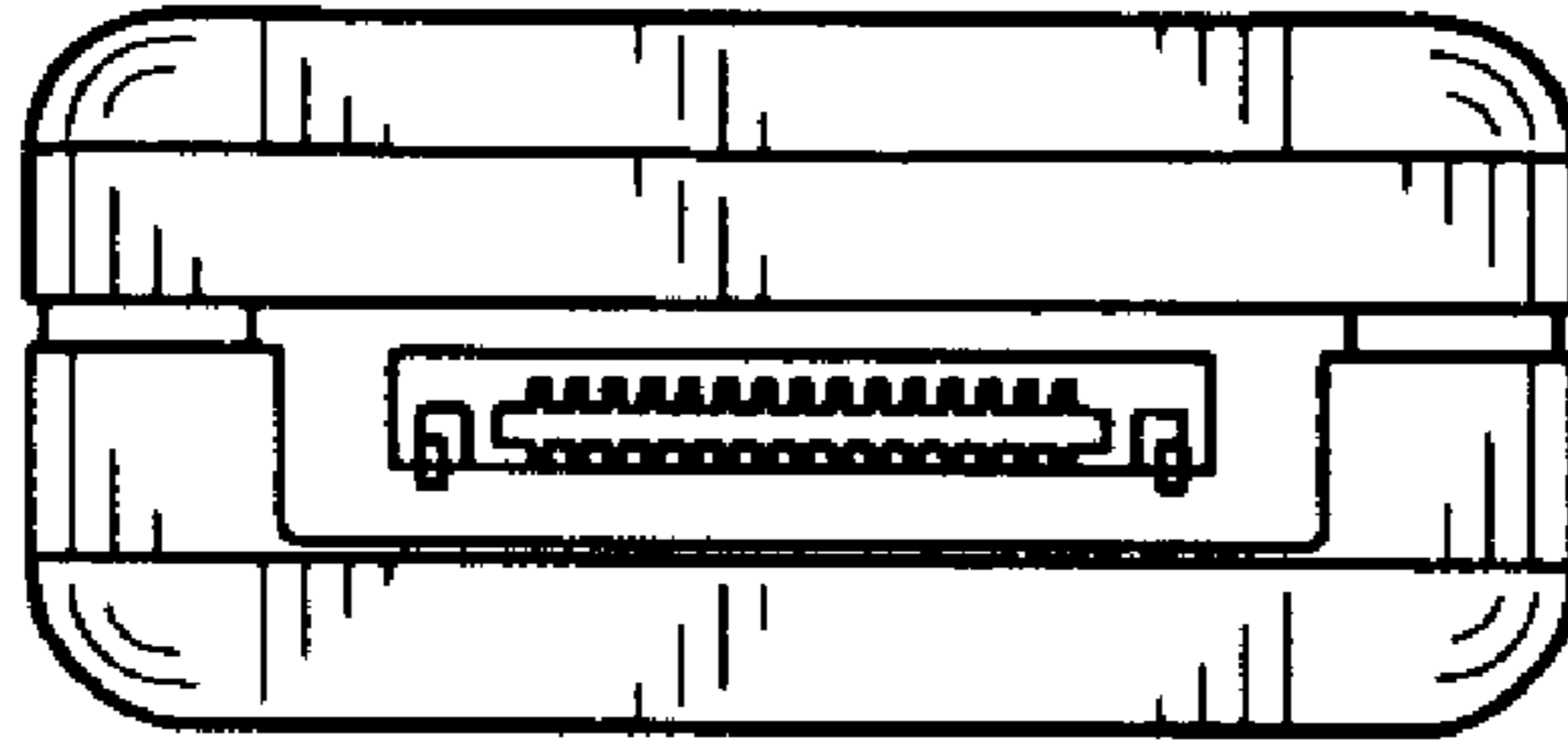


FIG. 4

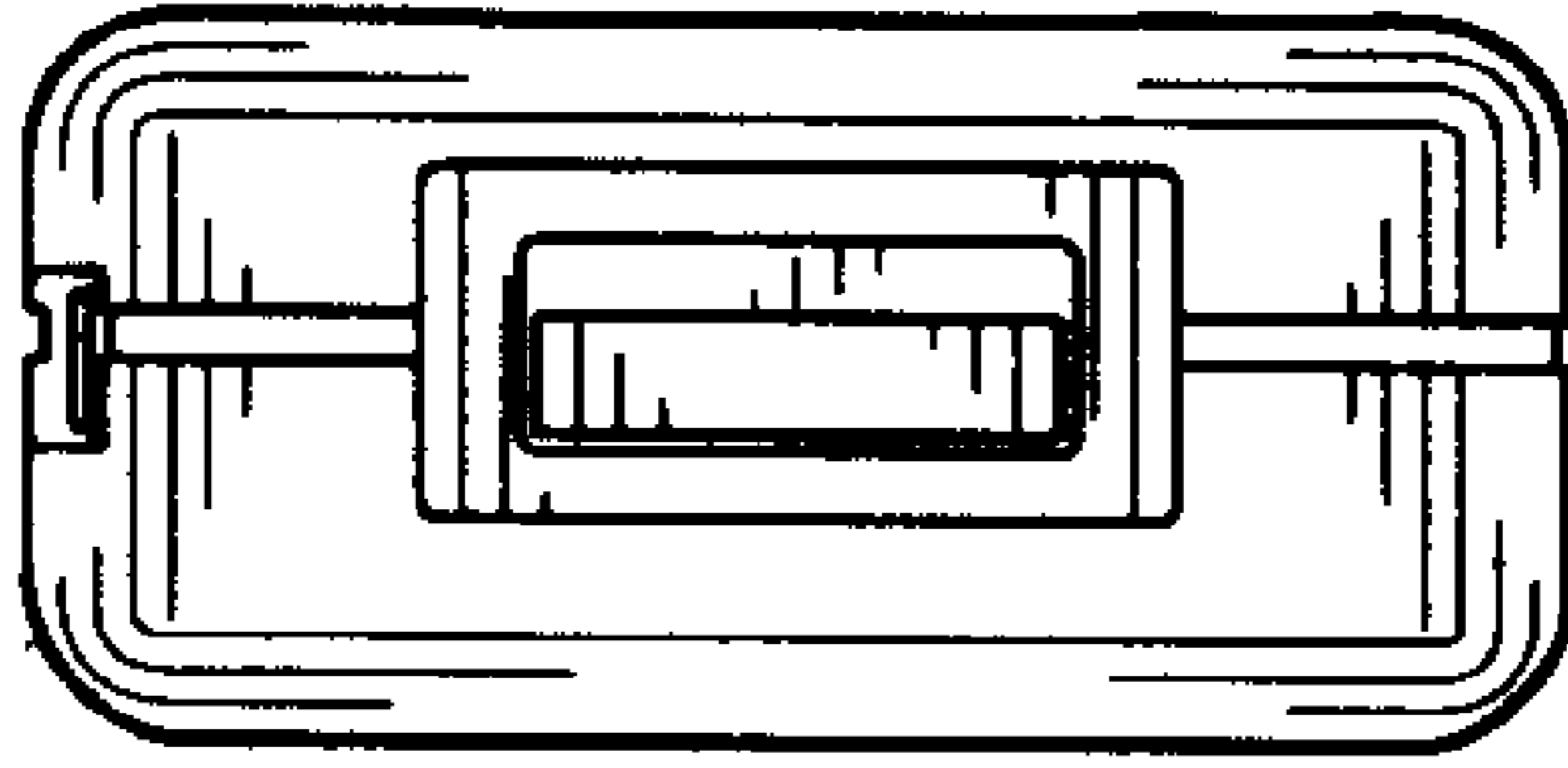


FIG. 5

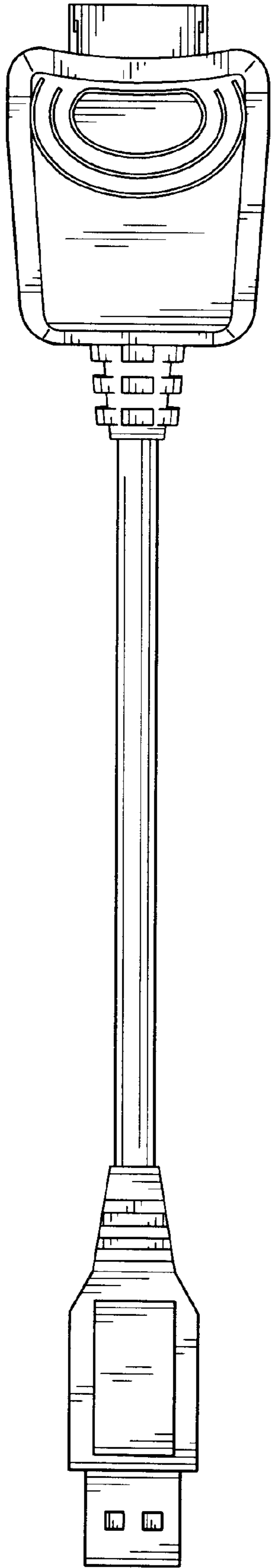


FIG. 6

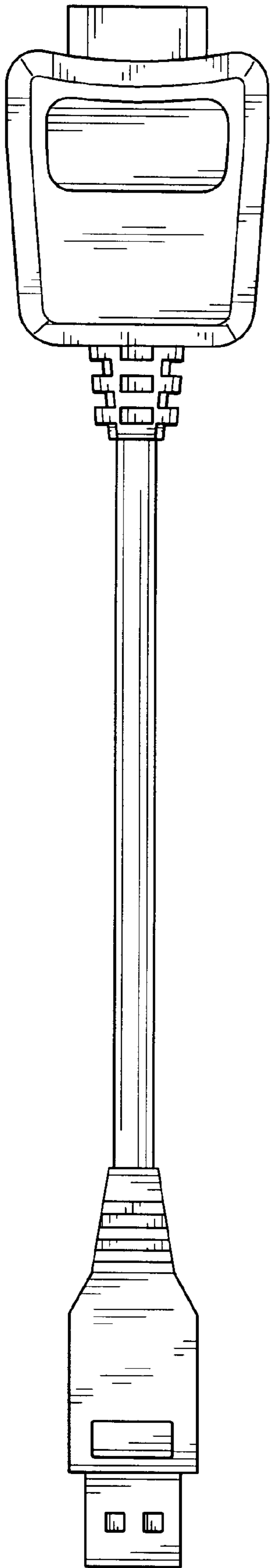


FIG. 7