



US00D416541S

United States Patent [19]

Hirai et al.

[11] **Patent Number: Des. 416,541**

[45] **Date of Patent: ** Nov. 16, 1999**

[54] **CONNECTOR RECEPTACLE FOR COMPACT FLASH CARD**

[75] Inventors: **Yuji Hirai; Kinzo Narumo; Takeshi Sato**, all of Tokyo, Japan

[73] Assignee: **Honda Tsushin Kogyo Co., Ltd.**, Tokyo, Japan

[**] Term: **14 Years**

[21] Appl. No.: **29/100,561**

[22] Filed: **Feb. 12, 1999**

[30] **Foreign Application Priority Data**

Sep. 11, 1998 [JP] Japan 10-25773

[51] **LOC (6) Cl.** **13-03**

[52] **U.S. Cl.** **D13/147**

[58] **Field of Search** D13/146, 147; 439/159; 361/684, 754

[56] **References Cited**

U.S. PATENT DOCUMENTS

D. 320,003 9/1991 Komatsu D13/147

5,490,791	2/1996	Yamada et al.	439/159
5,643,001	7/1997	Kaufman et al.	439/159
5,795,190	8/1998	Ono	439/159 X
5,871,365	2/1999	Kajiura	439/159

Primary Examiner—Joel Sincavage
Attorney, Agent, or Firm—Nikaido, Marmelstein, Murray & Oram LLP

[57] **CLAIM**

The ornamental design for connector receptacle for compact flash card, as shown and described.

DESCRIPTION

FIG. 1 is a perspective view of the connector receptacle for compact flash card showing my new design;
FIG. 2 is a front elevational view thereof;
FIG. 3 is a right side elevational view thereof;
FIG. 4 is a top plan view thereof;
FIG. 5 is a bottom plan view thereof;
FIG. 6 is a rear elevational view thereof; and,
FIG. 7 is a left side elevational view thereof.

1 Claim, 2 Drawing Sheets

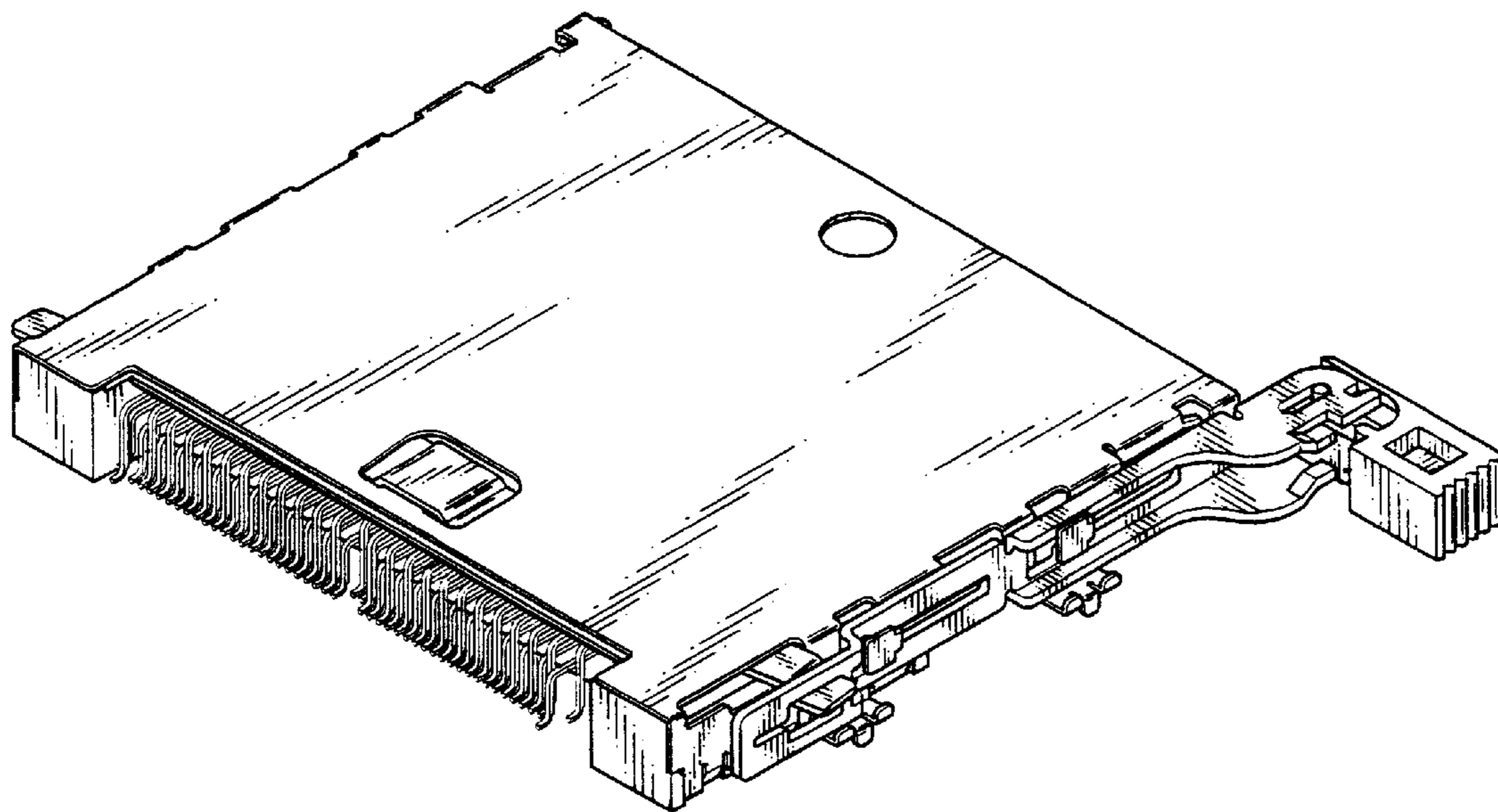


FIG. 1

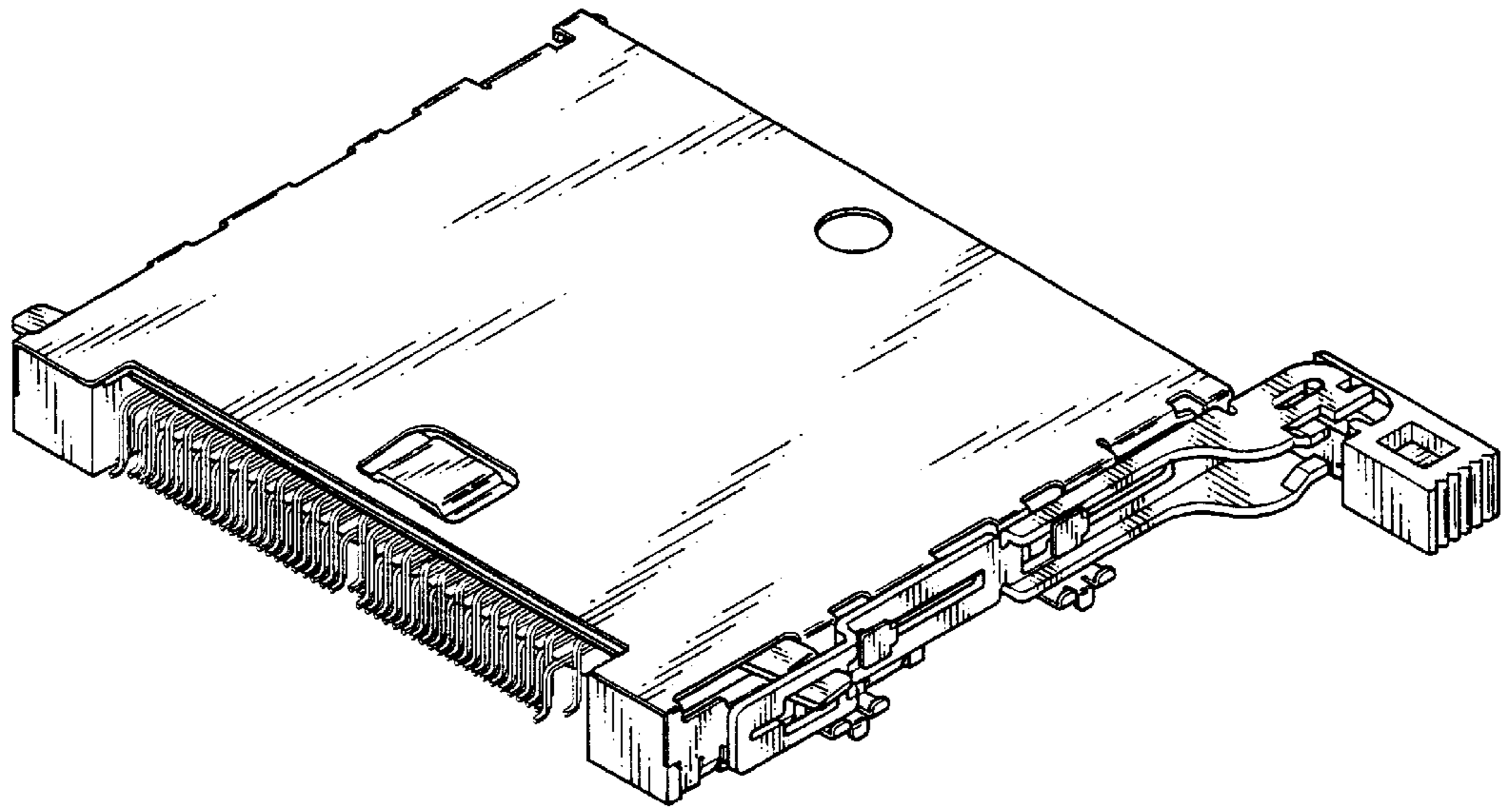


FIG. 2

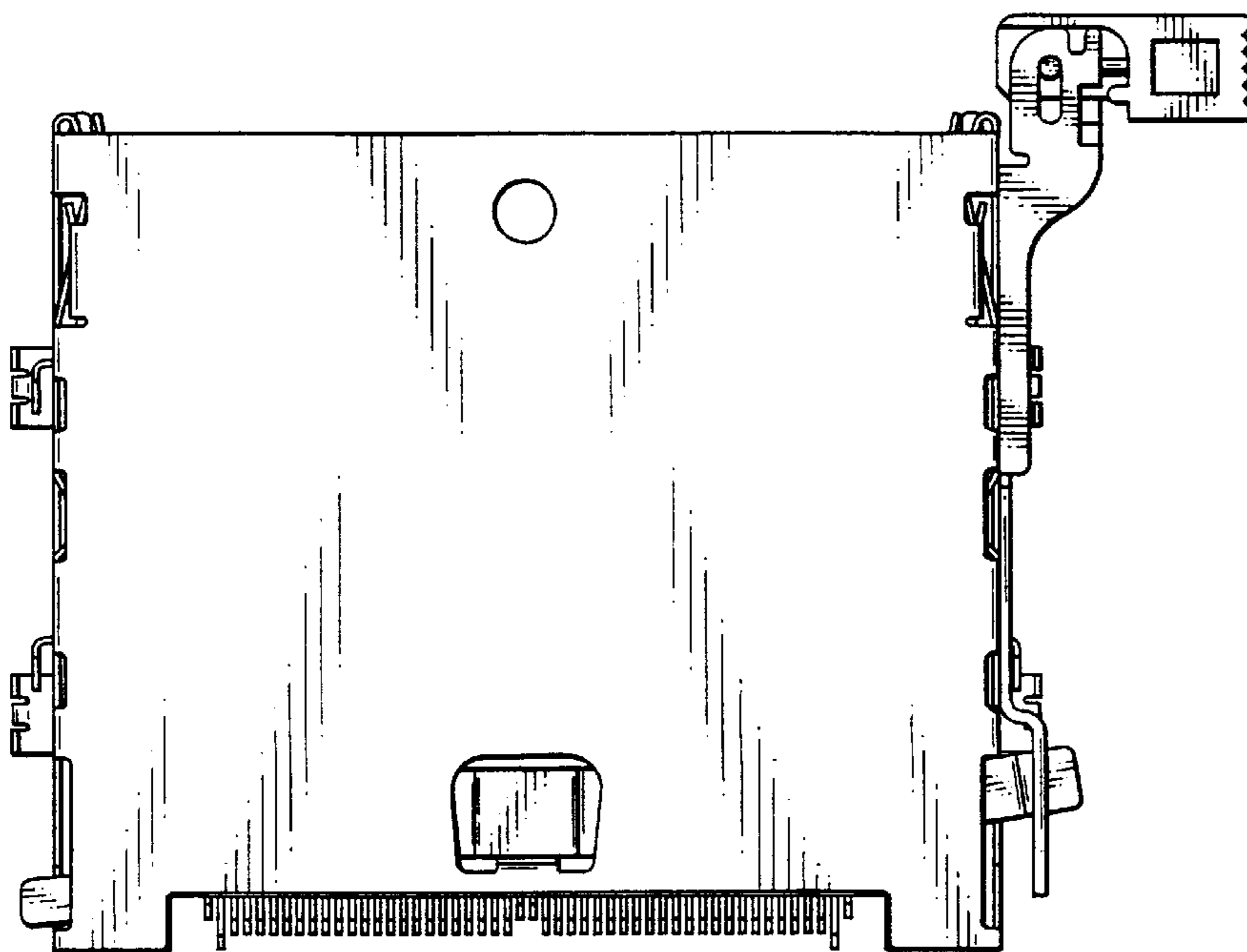


FIG. 3

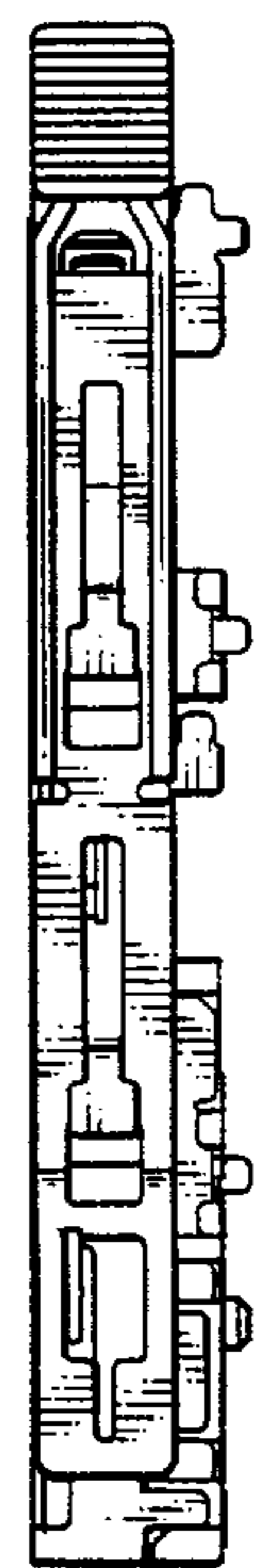


FIG. 4

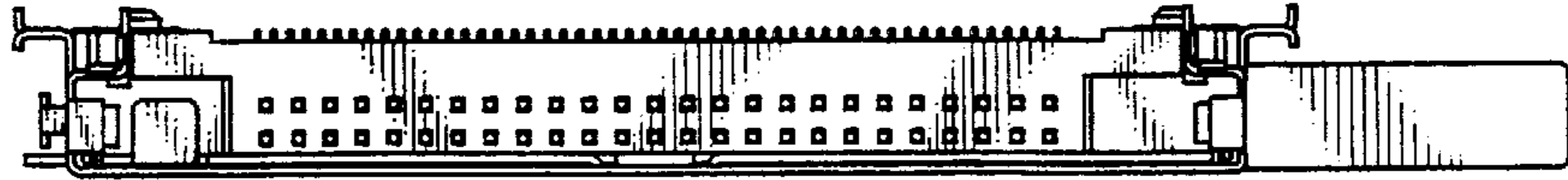


FIG. 5



FIG. 6

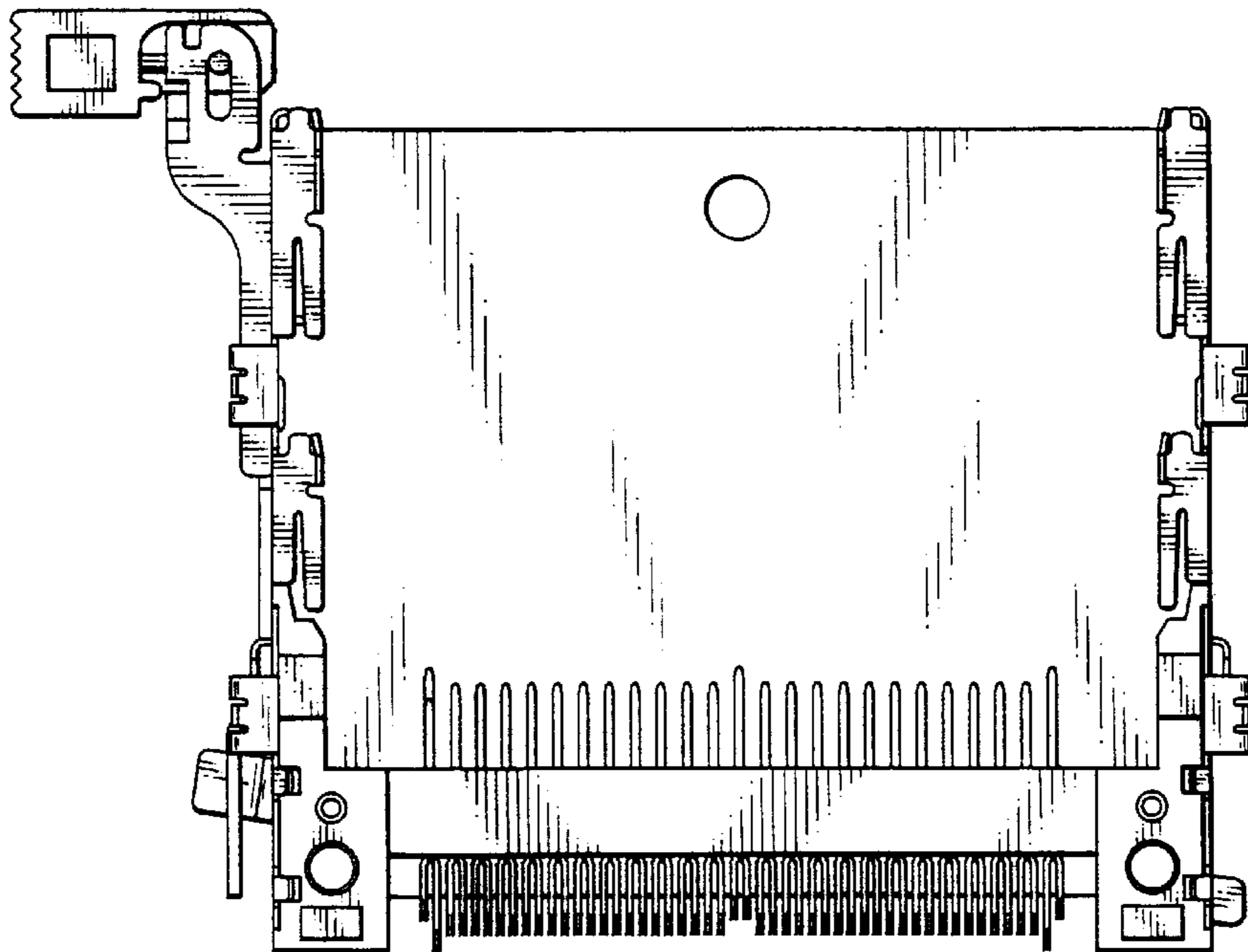


FIG. 7

