



US00D416540S

# United States Patent [19]

Sato et al.

[11] Patent Number: **Des. 416,540**

[45] Date of Patent: **\*\* Nov. 16, 1999**

[54] **ELECTRIC CABLE CONNECTOR**

[75] Inventors: **Kiyoshi Sato; Kenichi Yotsutani**, both of Tokyo, Japan

[73] Assignee: **Honda Tsushin Kogyo Co., Ltd.**, Tokyo, Japan

[\*\*] Term: **14 Years**

[21] Appl. No.: **29/097,959**

[22] Filed: **Dec. 17, 1998**

[30] **Foreign Application Priority Data**

Oct. 15, 1998 [JP] Japan ..... 10-29593

[51] **LOC (6) Cl.** ..... **13-03**

[52] **U.S. Cl.** ..... **D13/147**

[58] **Field of Search** ..... D13/146, 147, D13/154; 439/352, 353, 358, 445, 455, 676, 731

[56] **References Cited**

**U.S. PATENT DOCUMENTS**

D. 351,135 10/1994 Kurata ..... D13/147  
D. 384,330 9/1997 Ichikawa ..... D13/146

D. 385,255 10/1997 Sato ..... D13/147  
D. 401,905 12/1998 Sato ..... D13/147  
4,824,383 4/1989 Lemke ..... 439/108  
4,889,503 12/1989 Philippon et al. .... 439/610  
5,569,047 10/1996 Pauza et al. .... 439/353  
5,609,499 3/1997 Tan et al. .... 439/445  
5,660,558 8/1997 Osanai et al. .... 439/353  
5,772,465 6/1998 Hwang et al. .... 439/418

*Primary Examiner*—Joel Sincavage  
*Attorney, Agent, or Firm*—Nikaido, Marmelstein, Murray & Oram LLP

[57] **CLAIM**

The ornamental design for electric cable connector, as shown and described.

**DESCRIPTION**

FIG. 1 is a top, front and left side perspective view of the electric cable connector showing my new design; FIG. 2 is a front elevational view thereof; FIG. 3 is a rear elevational view thereof; FIG. 4 is a right side elevational view thereof; FIG. 5 is a top plan view thereof; and, FIG. 6 is a bottom plan view thereof.

**1 Claim, 2 Drawing Sheets**

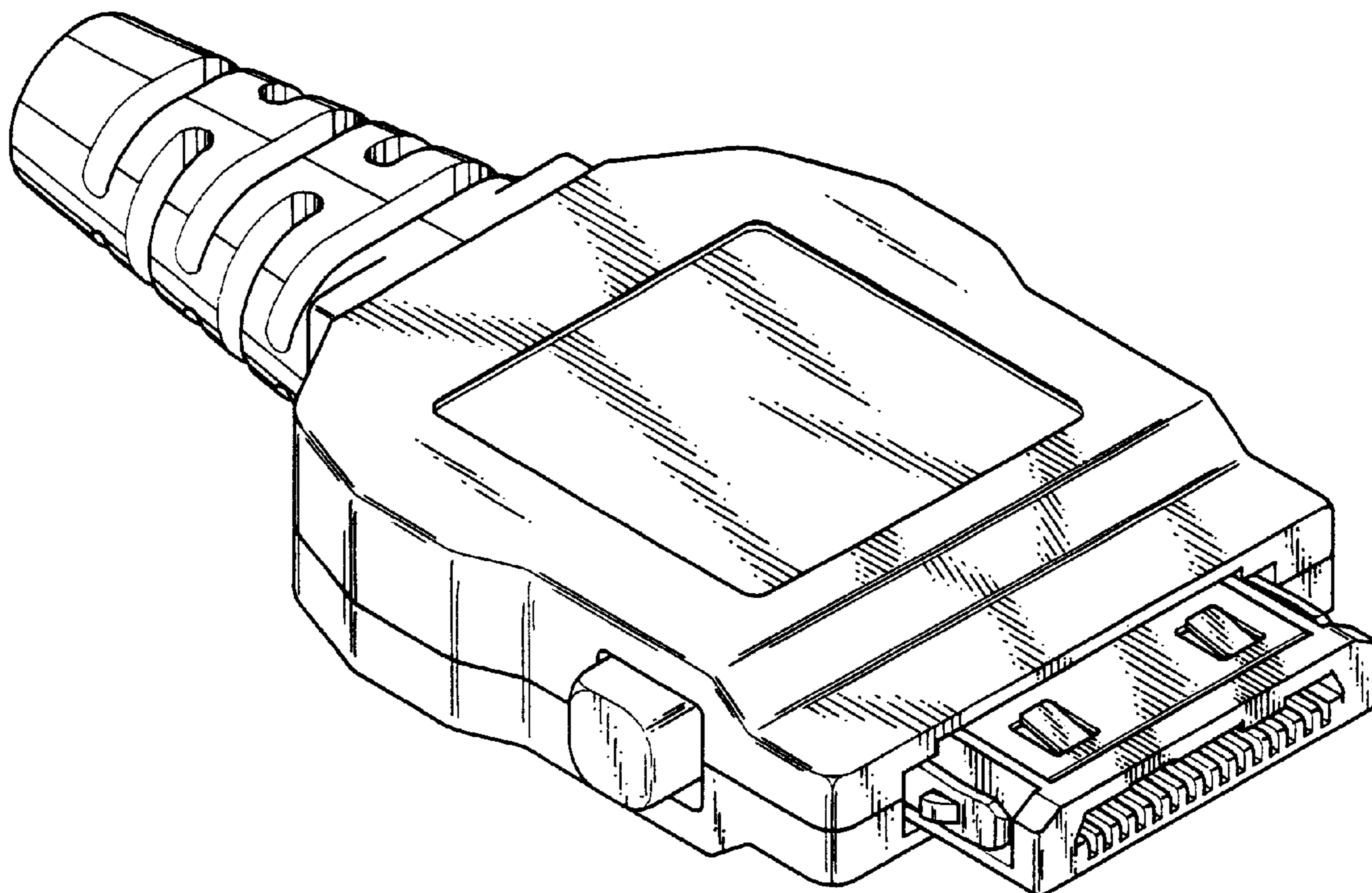


FIG. 1

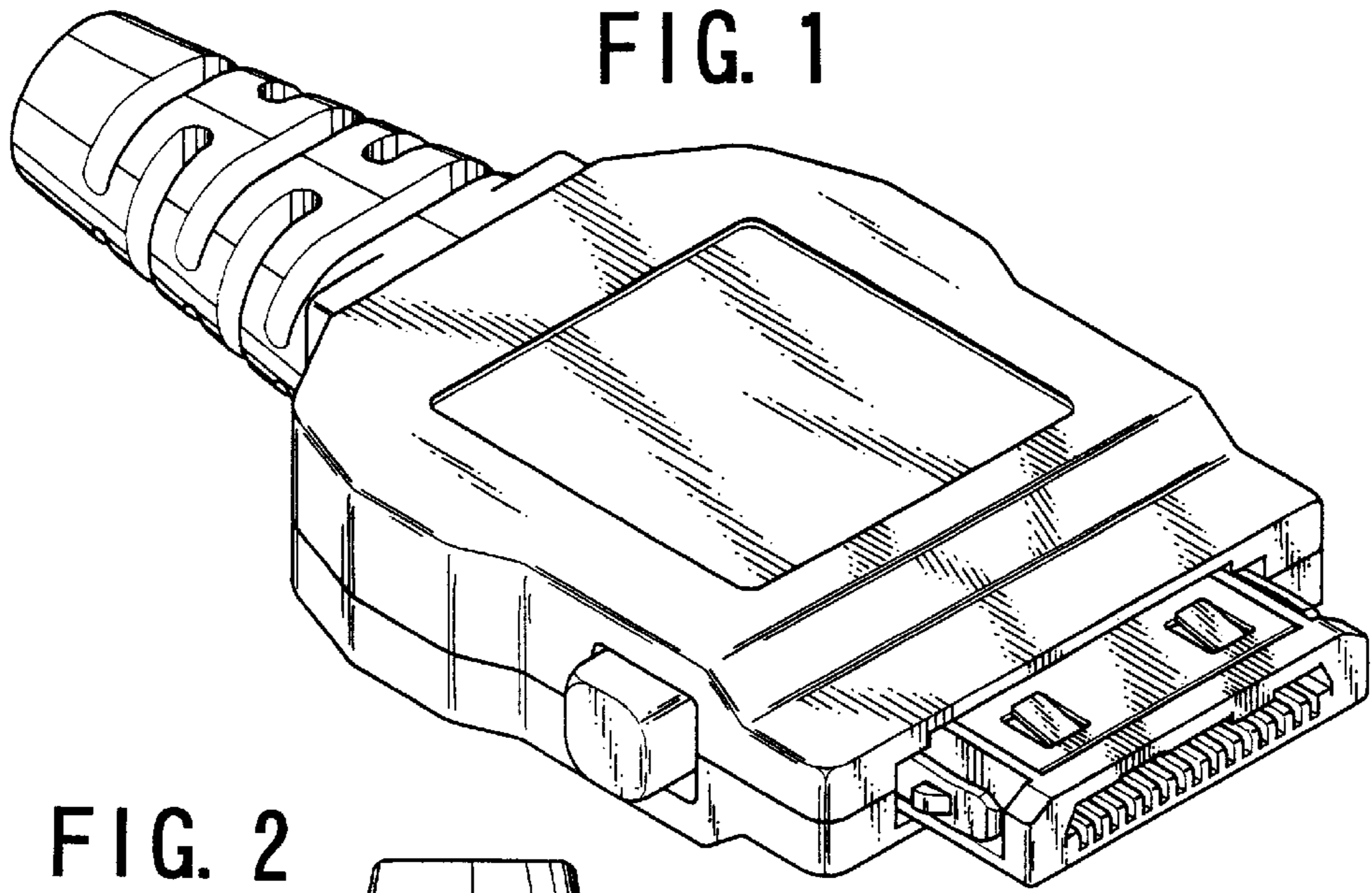


FIG. 2

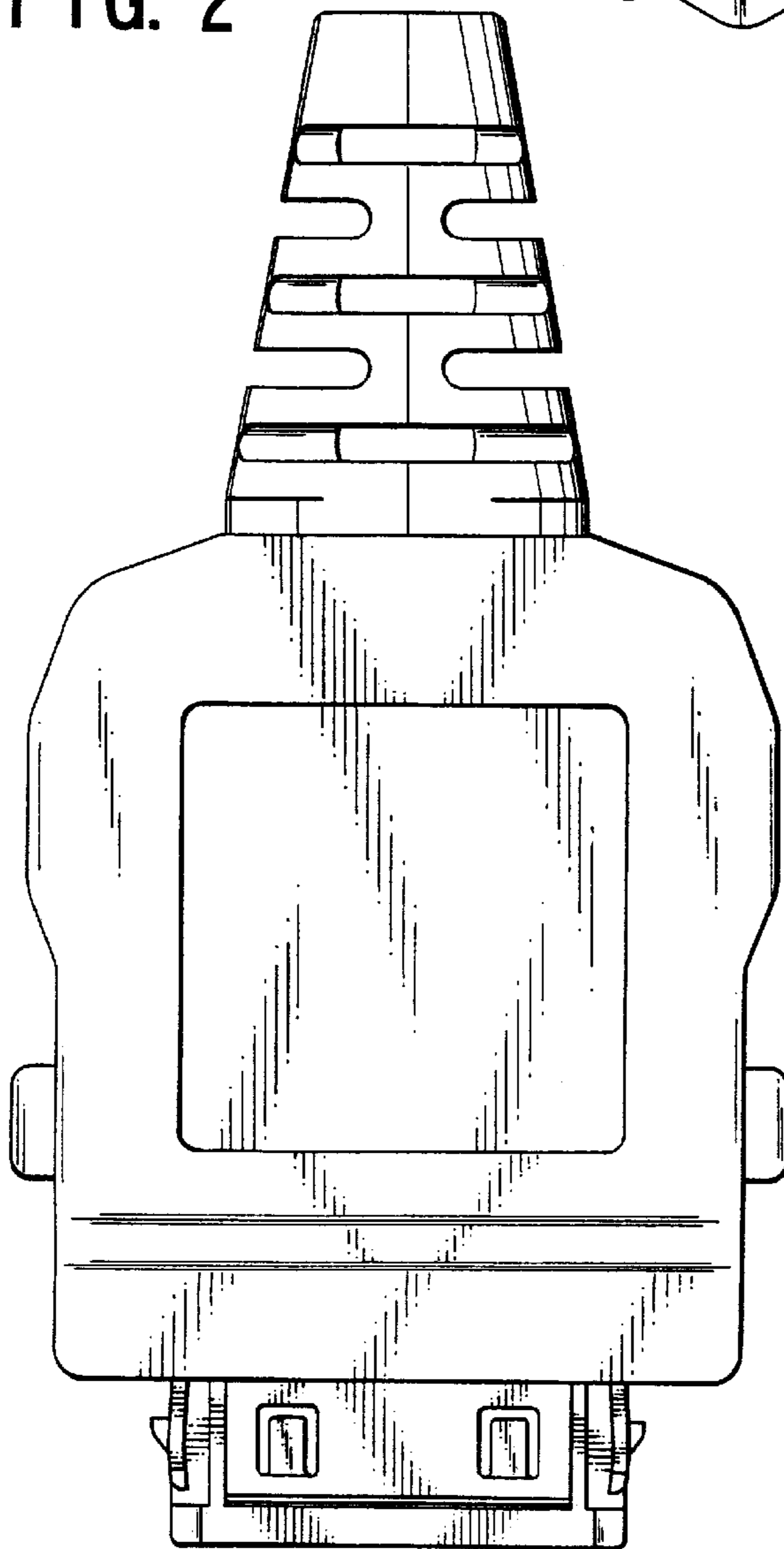


FIG. 3

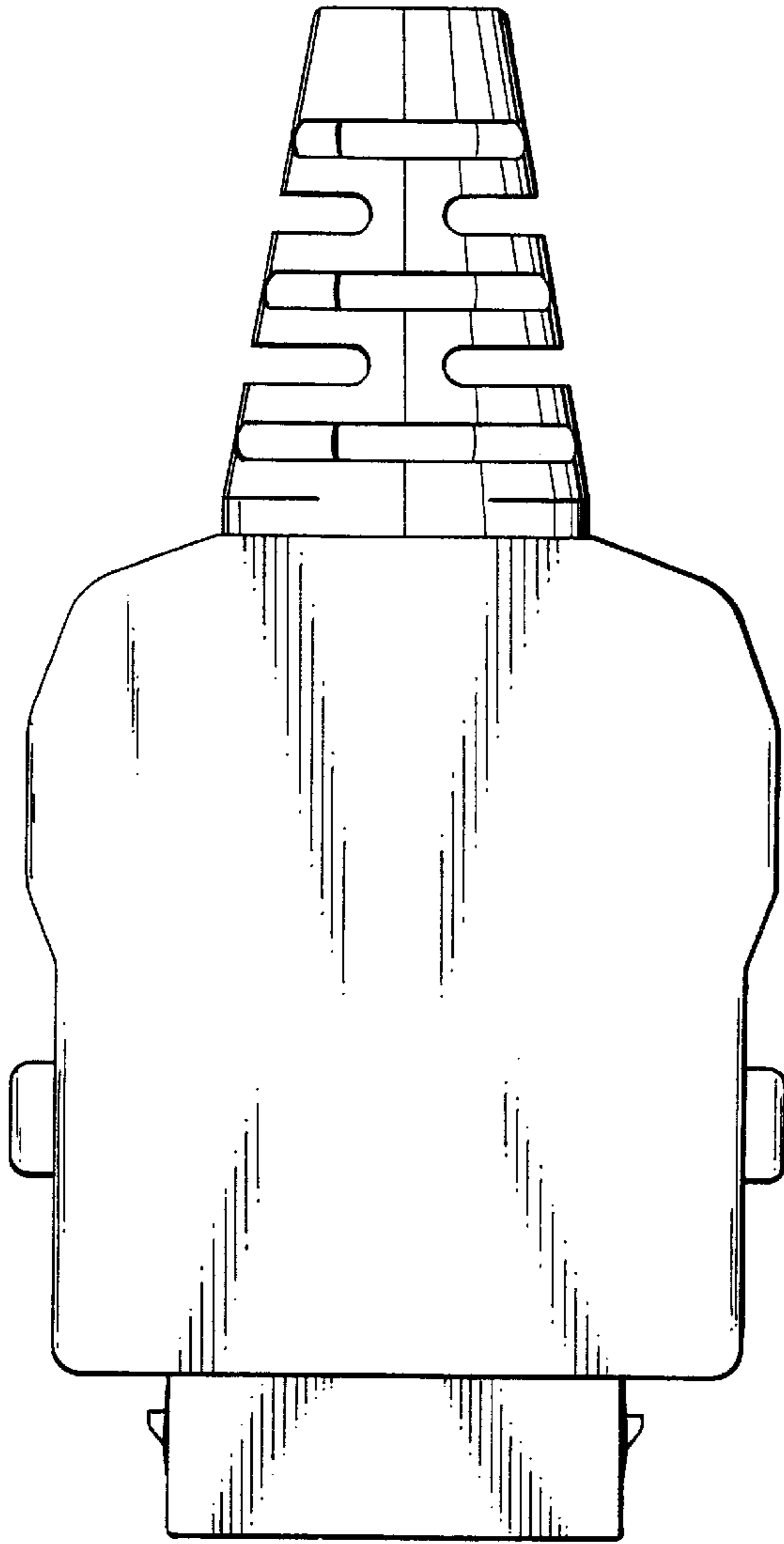


FIG. 4

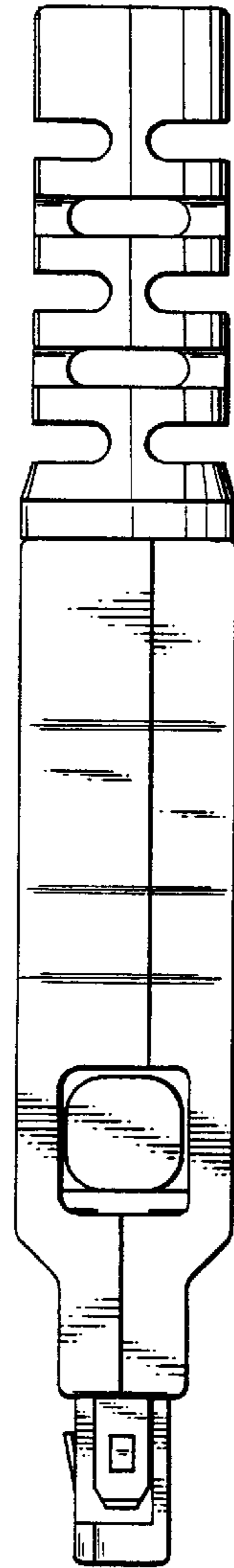


FIG. 5

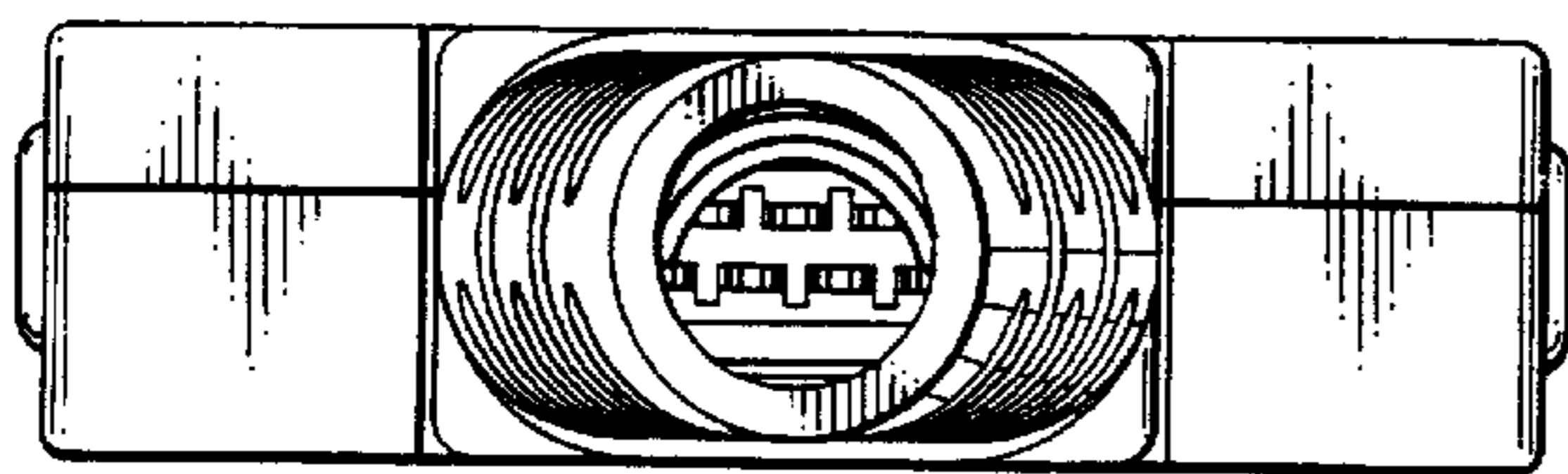


FIG. 6

