



US00D416539S

United States Patent [19]

Narumo et al.

[11] Patent Number: **Des. 416,539**

[45] Date of Patent: **** Nov. 16, 1999**

[54] **INTERFACE CONNECTOR RECEPTACLE**

[75] Inventors: **Kinzo Narumo; Kenichi Takahashi,**
both of Tokyo, Japan

[73] Assignee: **Honda Tsushin Kogyo Co., Ltd.,**
Tokyo, Japan

[**] Term: **14 Years**

[21] Appl. No.: **29/097,291**

[22] Filed: **Dec. 3, 1998**

[30] **Foreign Application Priority Data**

Aug. 19, 1998 [JP] Japan 10-23509

[51] **LOC (6) Cl.** **13-03**

[52] **U.S. Cl.** **D13/147**

[58] **Field of Search** D13/146, 147;
439/59, 61, 62, 76.1, 79, 630, 632, 634,
636, 637, 660, 678, 752.5, 578, 64

[56] **References Cited**

U.S. PATENT DOCUMENTS

D. 318,650 7/1991 Matsuzaki D13/147

D. 367,040 2/1996 Hamada D13/147
5,454,734 10/1995 Eggert et al. 439/578
5,667,391 9/1997 Szczesny et al. 439/79

Primary Examiner—Joel Sincavage
Attorney, Agent, or Firm—Nikaido, Marmelstein, Murray &
Oram LLP

[57] **CLAIM**

The ornamental design for interface connector receptacle, as shown and described.

DESCRIPTION

FIG. 1 is a perspective view of the interface connector receptacle showing my new design;
FIG. 2 is an another angle of perspective view thereof;
FIG. 3 is a front elevational view thereof;
FIG. 4 is a rear elevational view thereof;
FIG. 5 is a right side elevational view thereof, the opposite side being a mirror image;
FIG. 6 is a top plane view thereof; and,
FIG. 7 is a bottom plane view thereof.

1 Claim, 3 Drawing Sheets

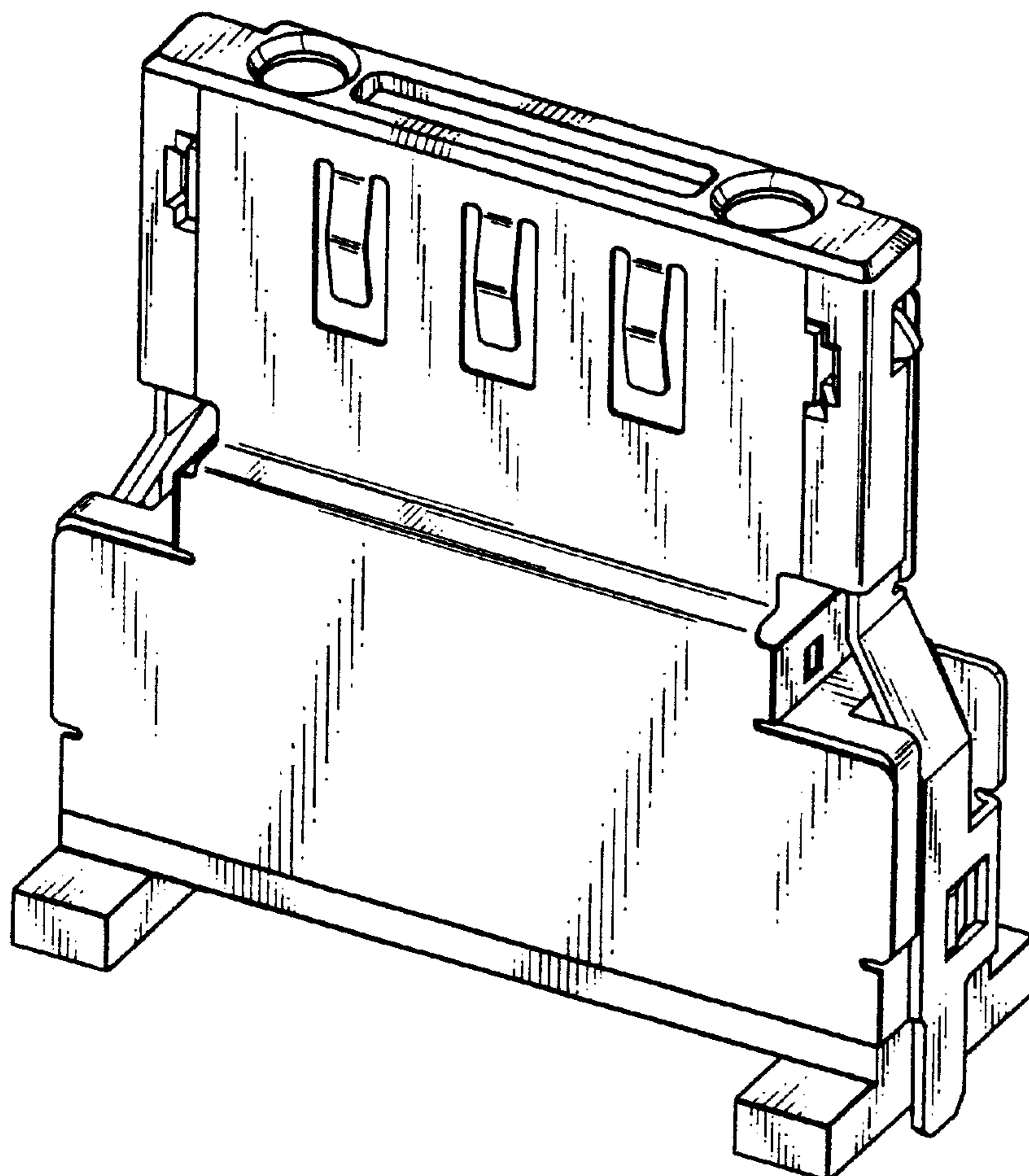


FIG. 1

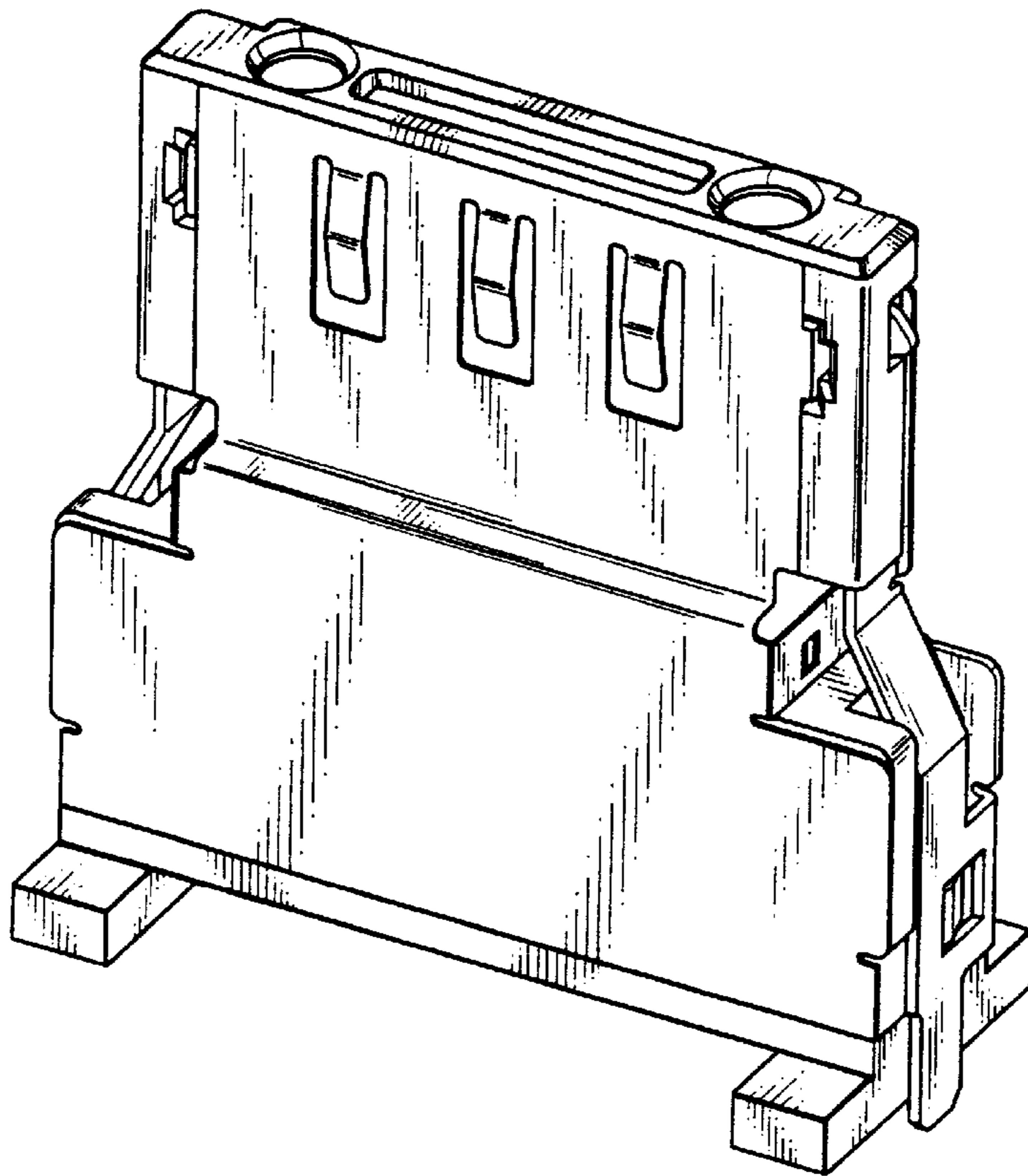


FIG. 2

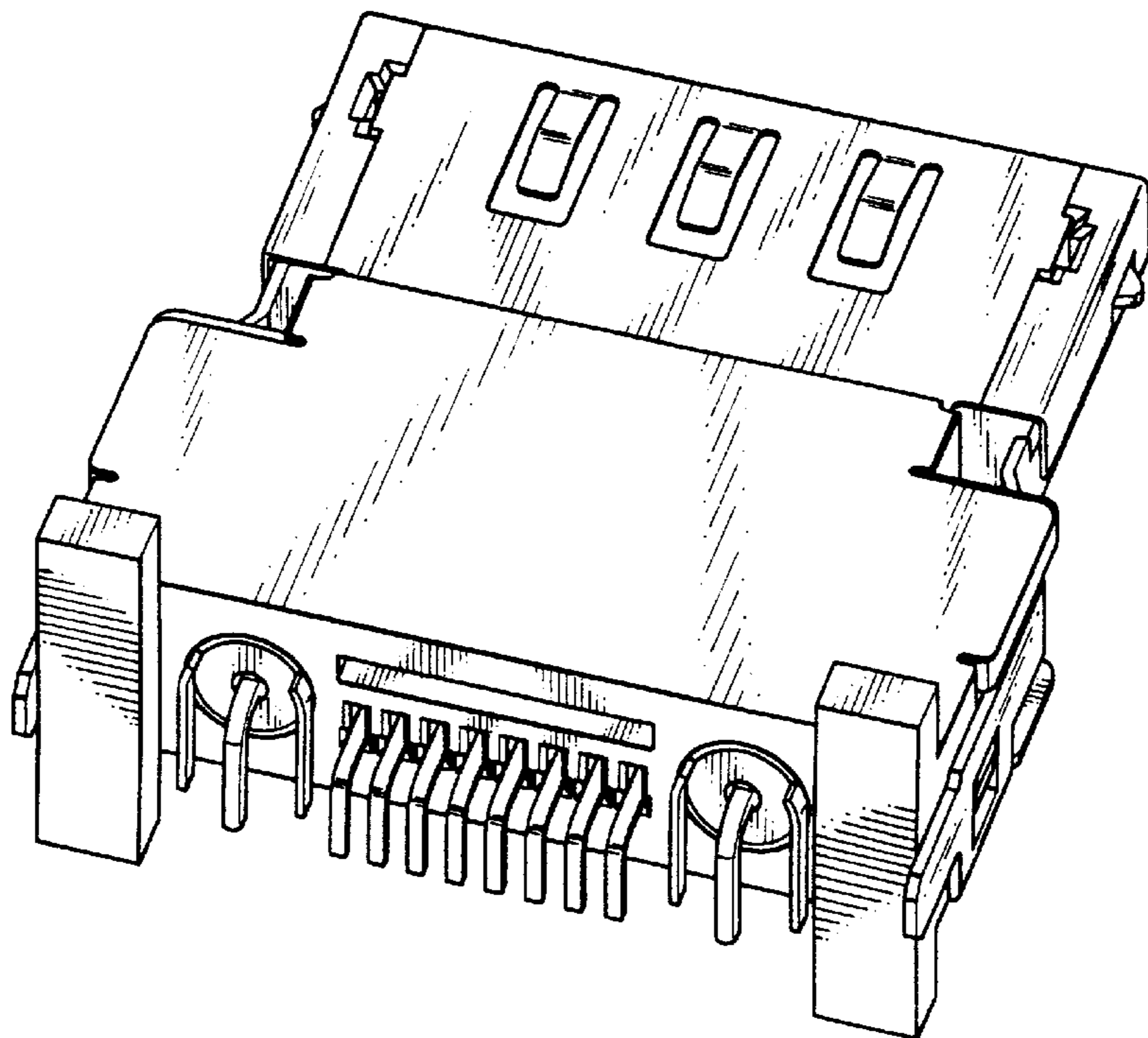


FIG. 3

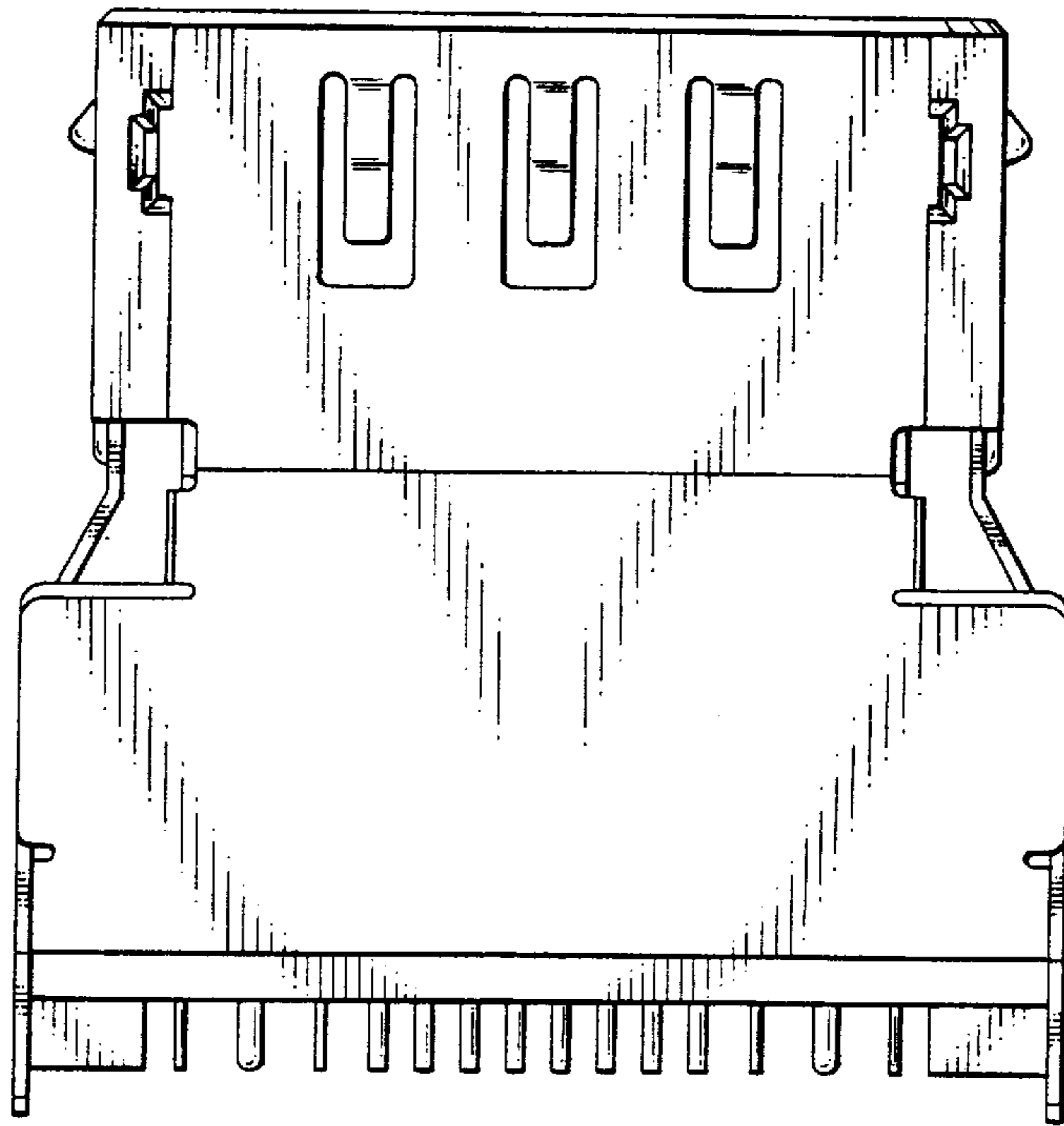


FIG. 4

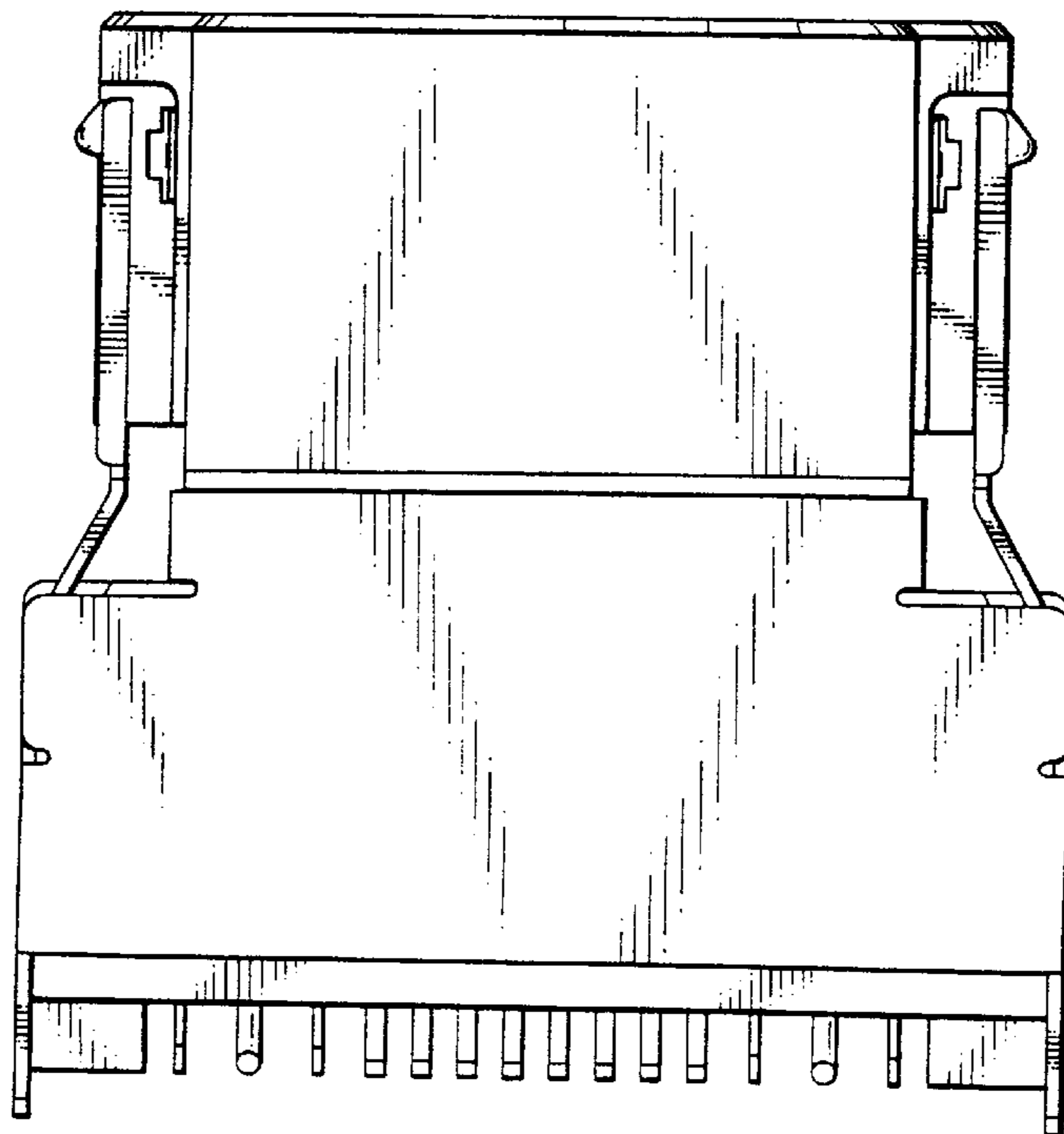


FIG. 5

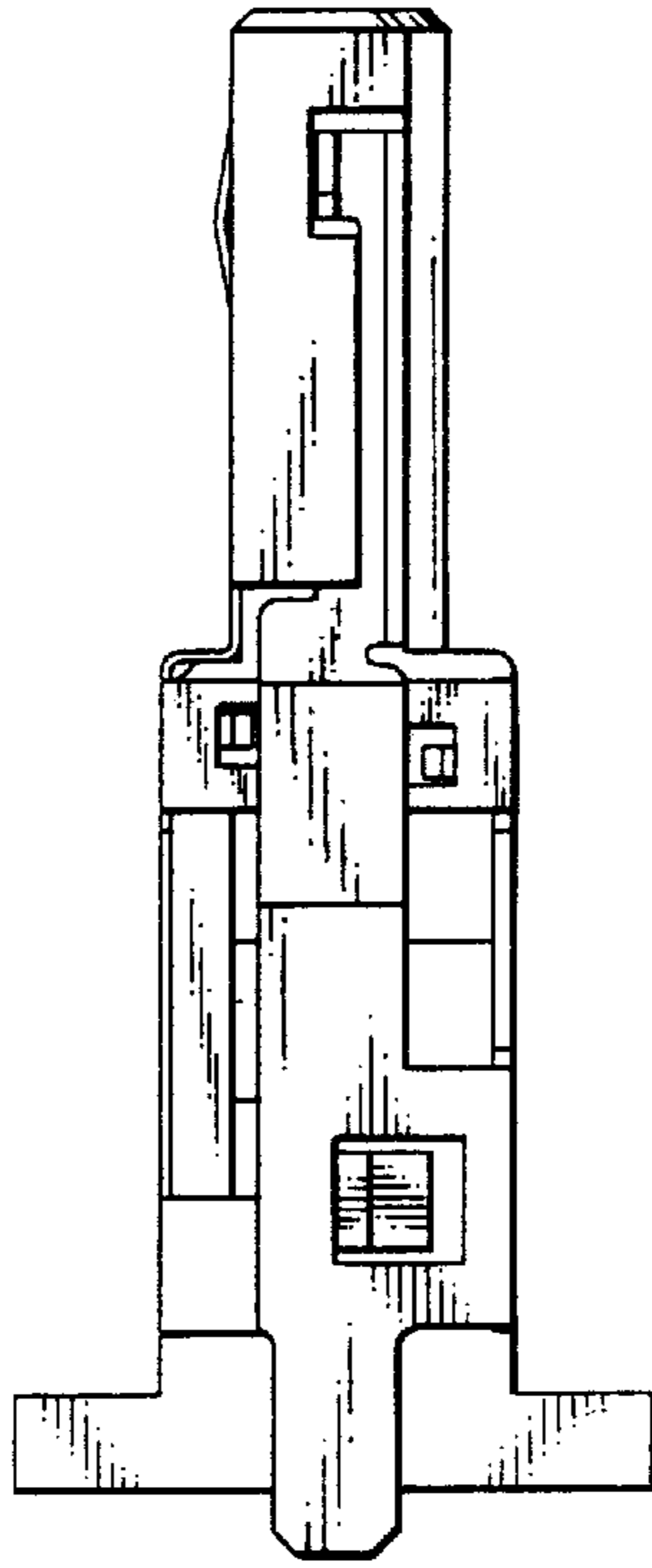


FIG. 6

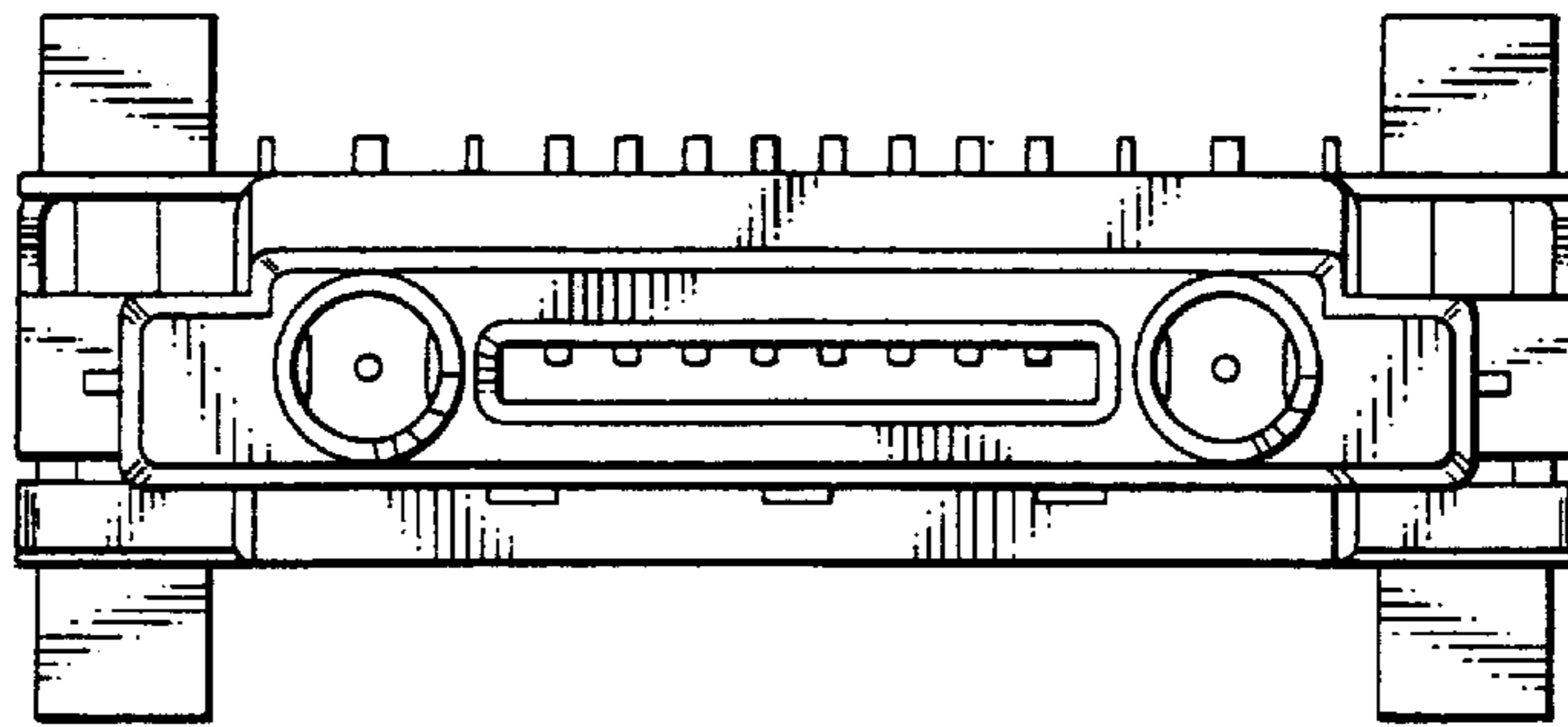


FIG. 7

