



US00D416538S

# United States Patent [19] Lok

[11] **Patent Number: Des. 416,538**

[45] **Date of Patent: \*\* Nov. 16, 1999**

[54] **RECEPTACLE CONNECTOR**

[75] Inventor: **Gordon Lok**, Montebello, Calif.

[73] Assignee: **Hon Hai Precision Ind. Co., Ltd.**,  
Taipei Hsien, Taiwan

[\*\*] Term: **14 Years**

[21] Appl. No.: **29/095,368**

[22] Filed: **Oct. 20, 1998**

[51] **LOC (6) Cl. .... 13-03**

[52] **U.S. Cl. .... D13/147**

[58] **Field of Search** ..... D13/147; 439/59,  
439/61, 62, 64, 79, 83, 630, 632, 634, 636,  
637, 660, 678, 752.5, 862

[56] **References Cited**

**U.S. PATENT DOCUMENTS**

D. 318,266 7/1991 Matsuzaki ..... D13/147  
D. 362,658 9/1995 Meagher et al. .... D13/147

D. 379,620 6/1997 Aramaki ..... D13/147  
D. 403,303 12/1998 Lai et al. .... D13/147  
D. 407,690 4/1999 Lai et al. .... D13/147  
D. 408,014 4/1999 Lai et al. .... D13/147  
5,667,391 9/1997 Szczesny et al. .... 439/79

*Primary Examiner*—Joel Sincavage  
*Attorney, Agent, or Firm*—Wei Te Chung

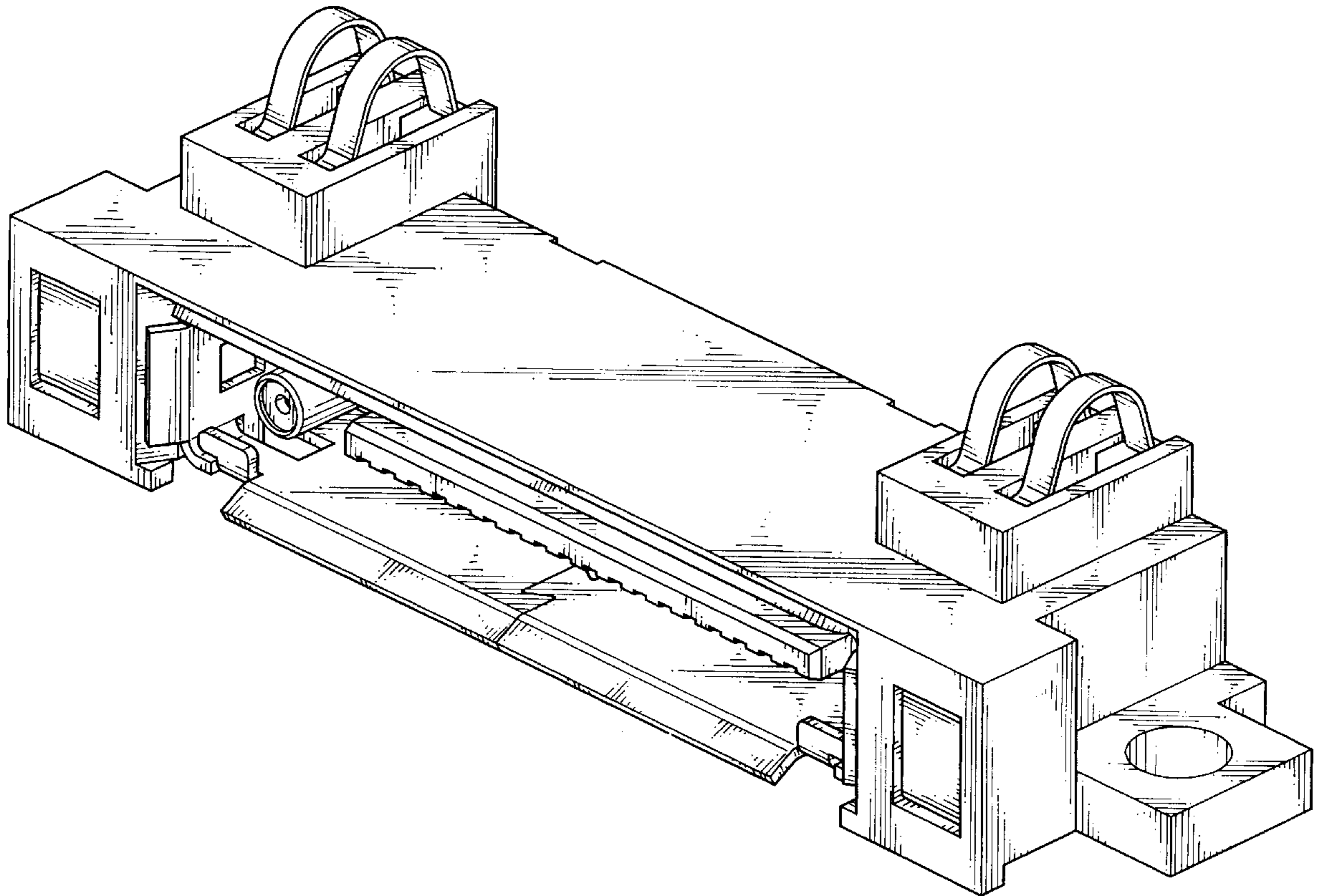
[57] **CLAIM**

The ornamental design for a receptacle connector, as shown.

**DESCRIPTION**

FIG. 1 is a front, top and right perspective view of a receptacle connector showing my new design; FIG. 2 is a front view thereof; FIG. 3 is a rear view thereof; FIG. 4 is a left side elevational view thereof; FIG. 5 is a right side elevational view thereof; FIG. 6 is a top plan view thereof; and, FIG. 7 is a bottom plan view thereof.

**1 Claim, 4 Drawing Sheets**



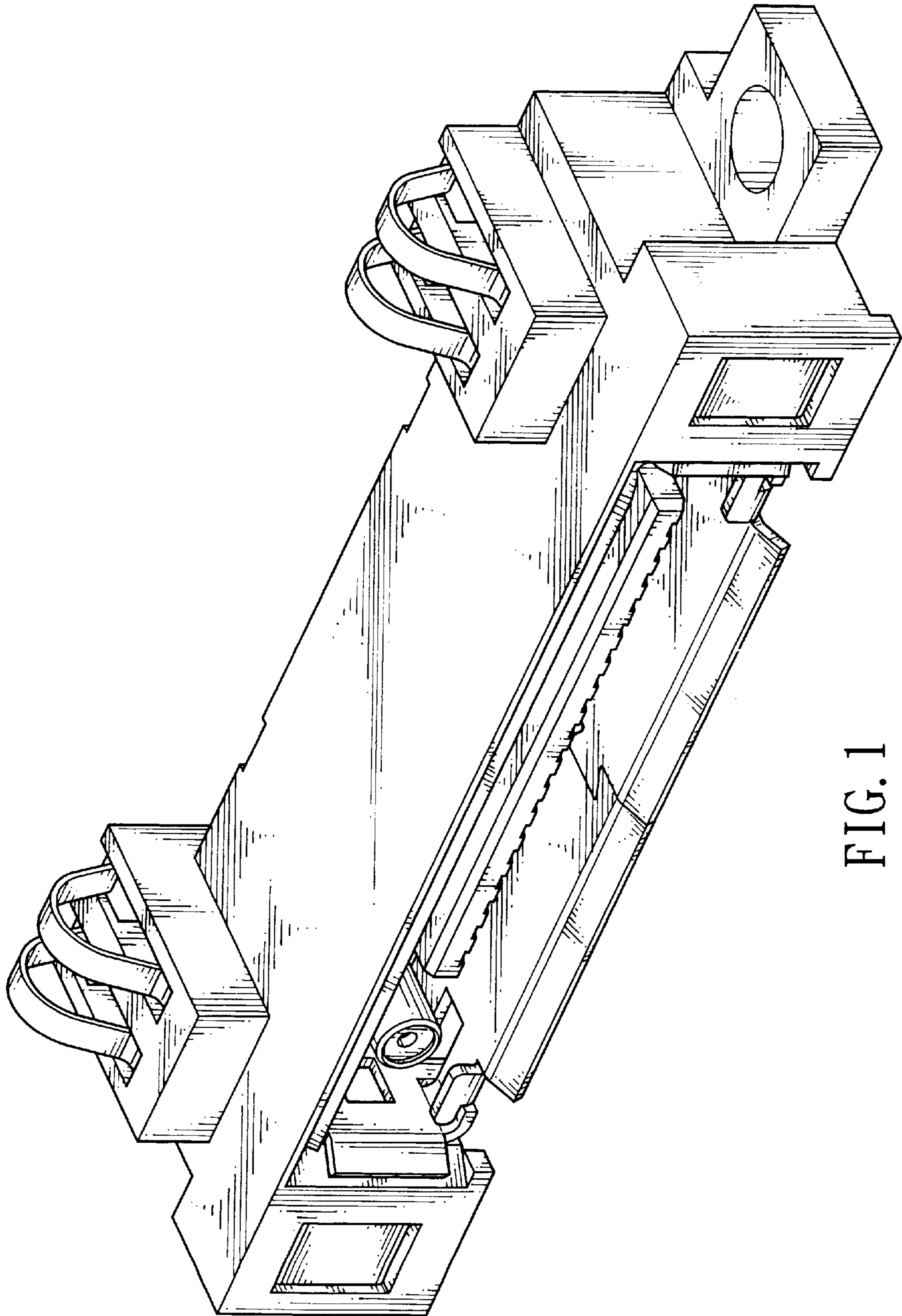


FIG. 1

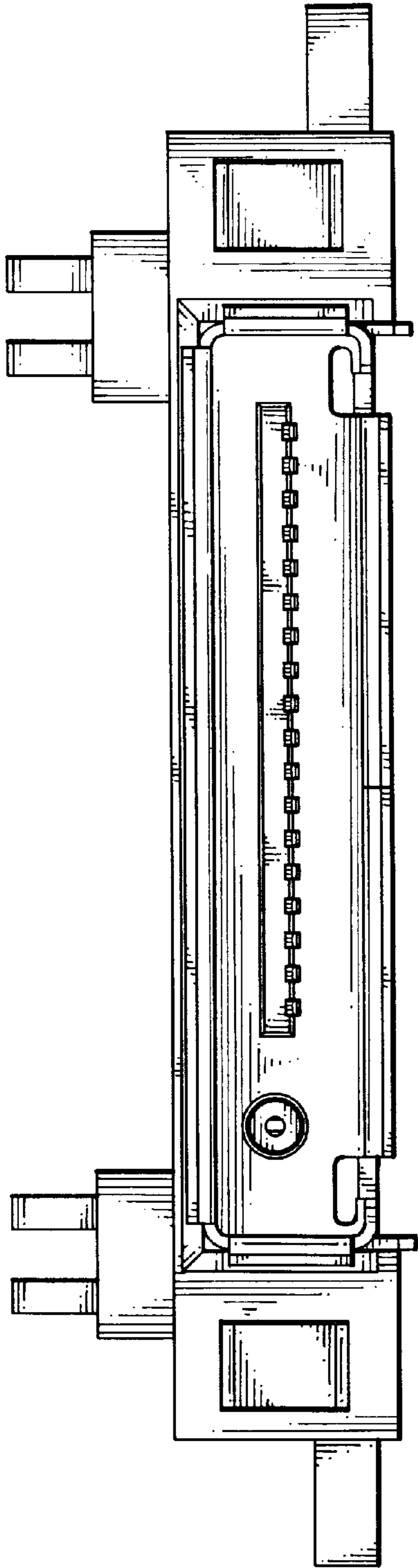


FIG. 2

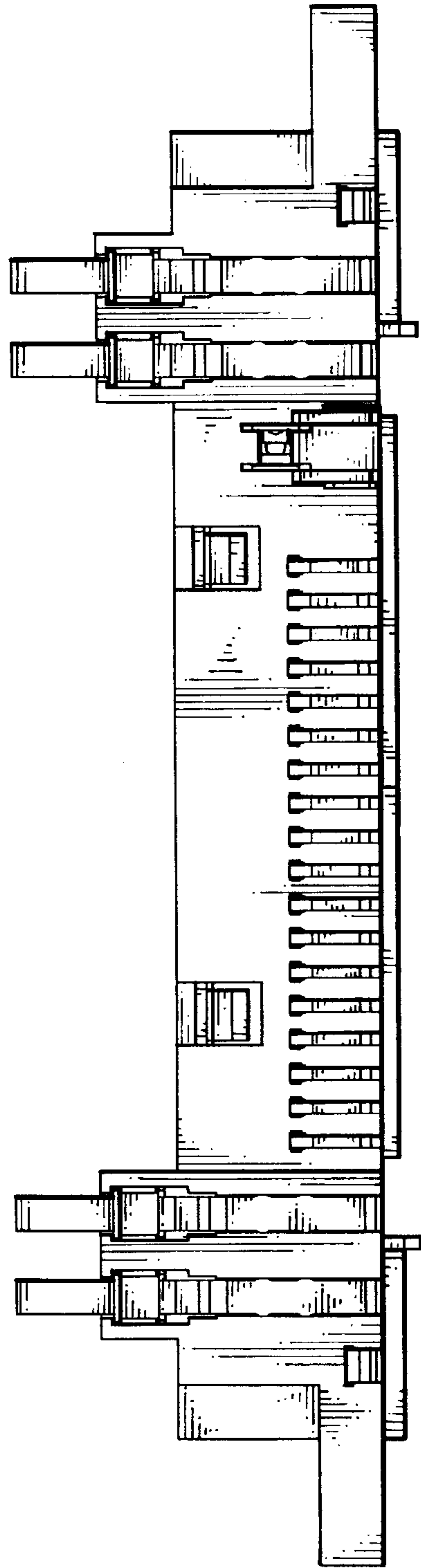


FIG. 3

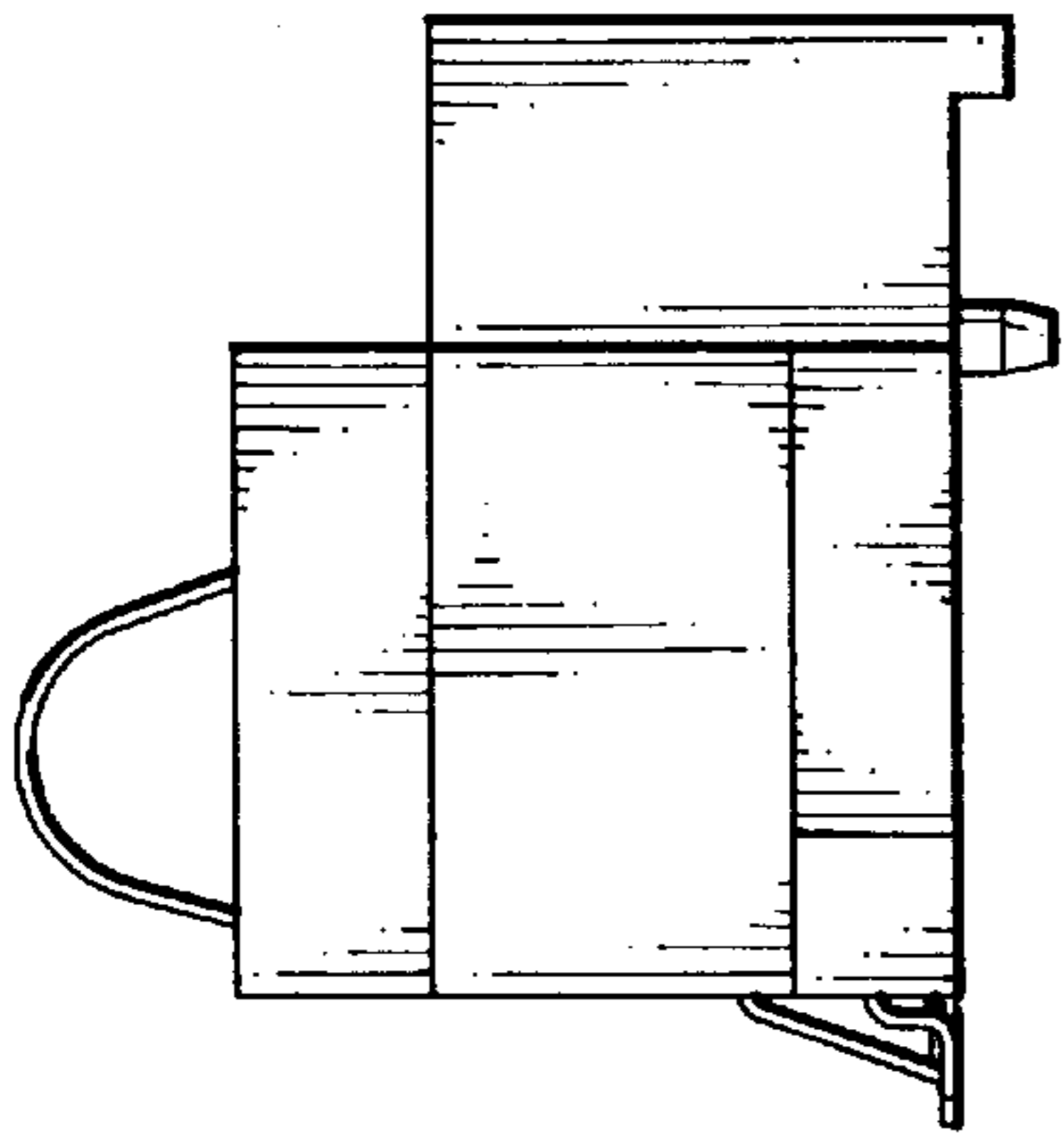


FIG. 4

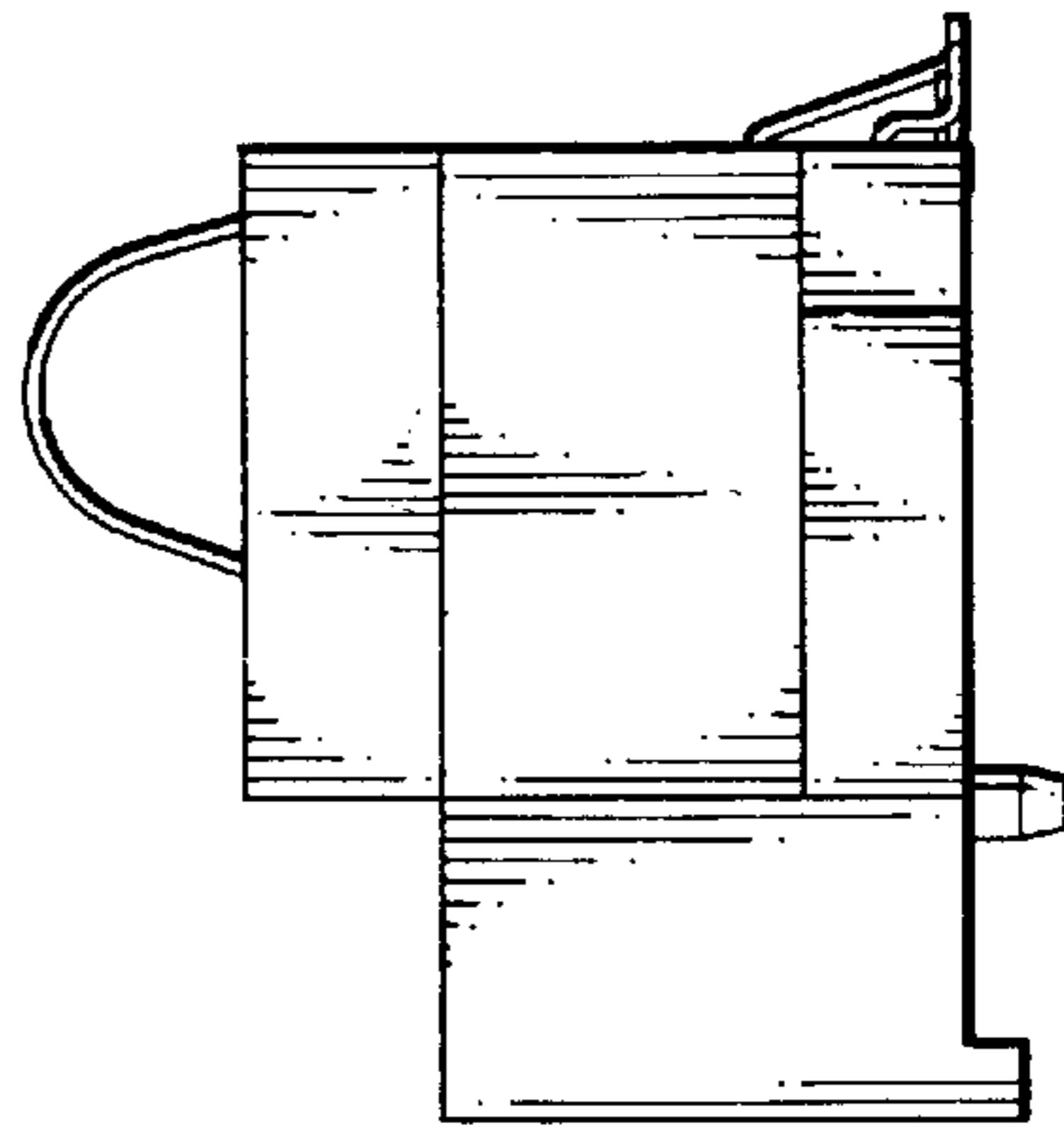


FIG. 5

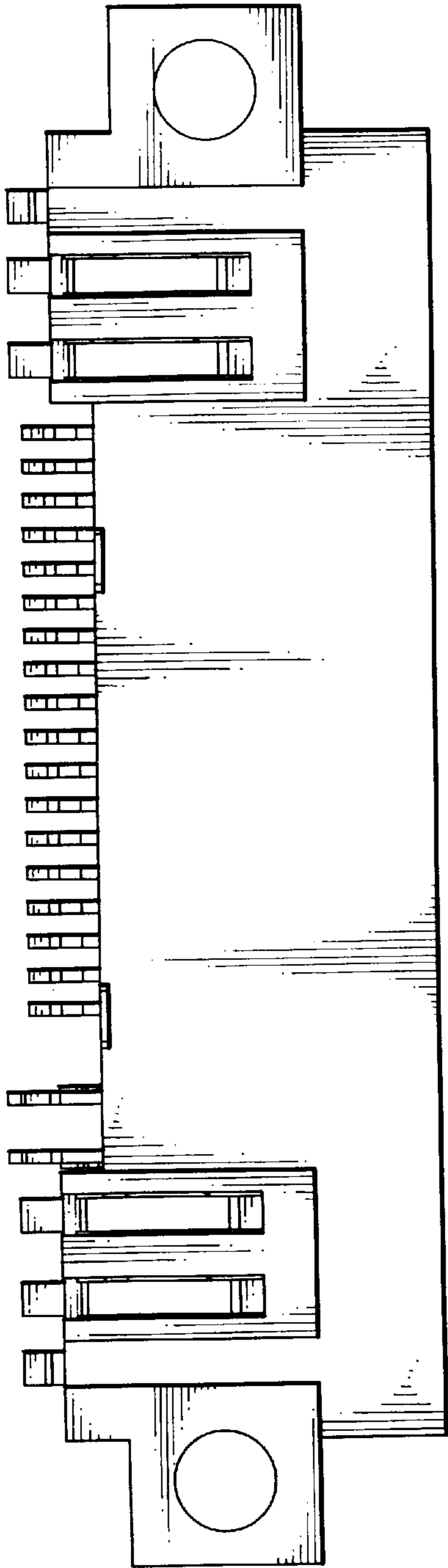


FIG. 6

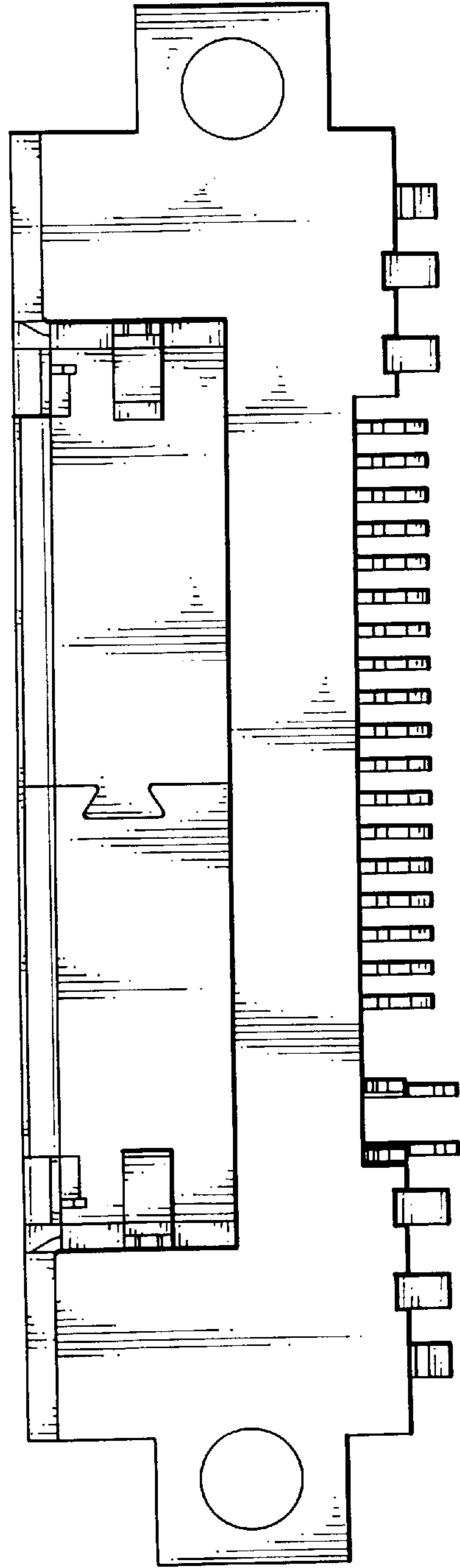


FIG. 7