



US00D416535S

**United States Patent** [19]  
**Rudofsky**

[11] **Patent Number: Des. 416,535**

[45] **Date of Patent: \*\* Nov. 16, 1999**

[54] **PROPELLER SHROUD DEFINING WATER FLOW DUCTS**

5,203,275 4/1993 Brauner et al. .... 114/274  
5,890,937 4/1999 Granger ..... 440/71

[76] Inventor: **Keith M. Rudofsky**, P.O. Box 1588,  
Wall, N.J. 07719

*Primary Examiner*—Kay H. Chin  
*Attorney, Agent, or Firm*—Charles I. Brodsky

[\*\*] Term: **14 Years**

[57] **CLAIM**

[21] Appl. No.: **29/084,004**

The ornamental design for a propeller shroud defining water flow ducts, as shown and described.

[22] Filed: **Feb. 23, 1998**

**DESCRIPTION**

[51] **LOC (6) Cl.** ..... **12-06**

[52] **U.S. Cl.** ..... **D12/317; D12/214**

[58] **Field of Search** ..... D12/317, 318,  
D12/214, 306; 440/53, 61, 66, 71, 900,  
76, 78; 416/247 A

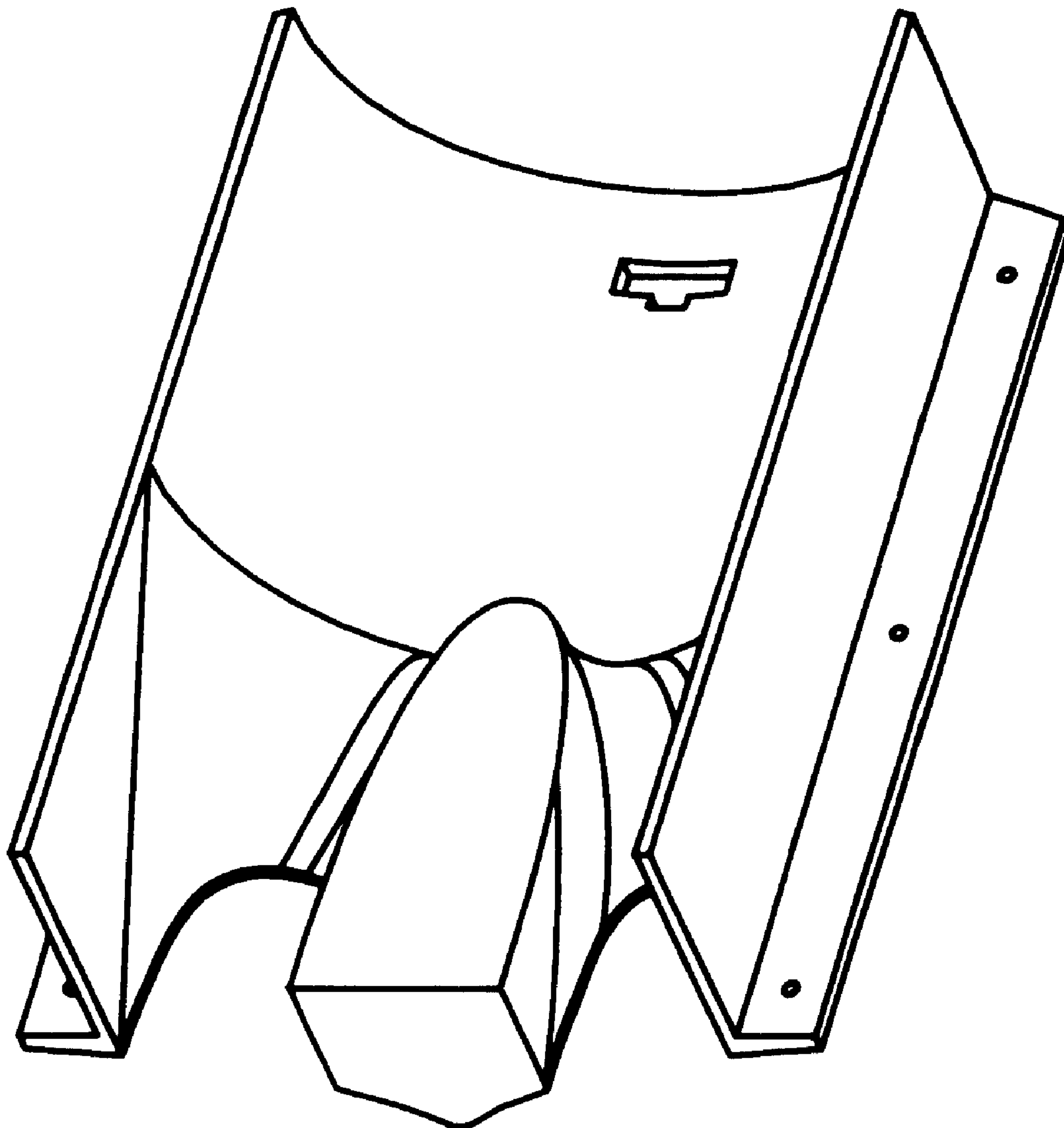
FIG. 1 is a front perspective view of a propeller shroud defining water flow ducts showing my new design;  
FIG. 2 is a front end view thereof;  
FIG. 3 is a top view of my design;  
FIG. 4 is left side view, a right side view being a mirror image thereof;  
FIG. 5 is a rear end view showing my new design; and,  
FIG. 6 is a bottom perspective view thereof.

[56] **References Cited**

**U.S. PATENT DOCUMENTS**

4,288,223 9/1981 Gonzalez et al. .... 440/71  
5,171,175 12/1992 Buzzi ..... 440/66

**1 Claim, 2 Drawing Sheets**



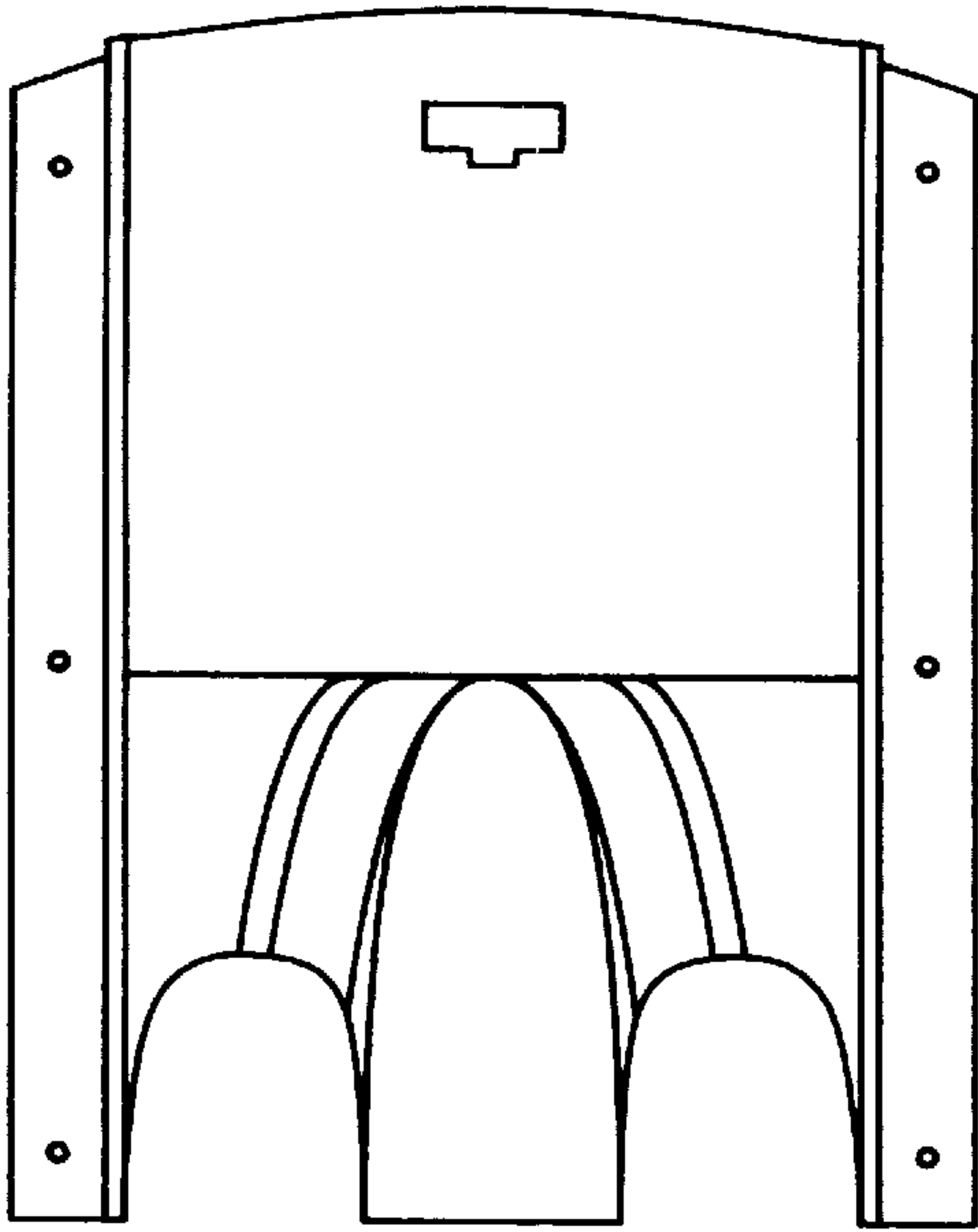


FIGURE 3

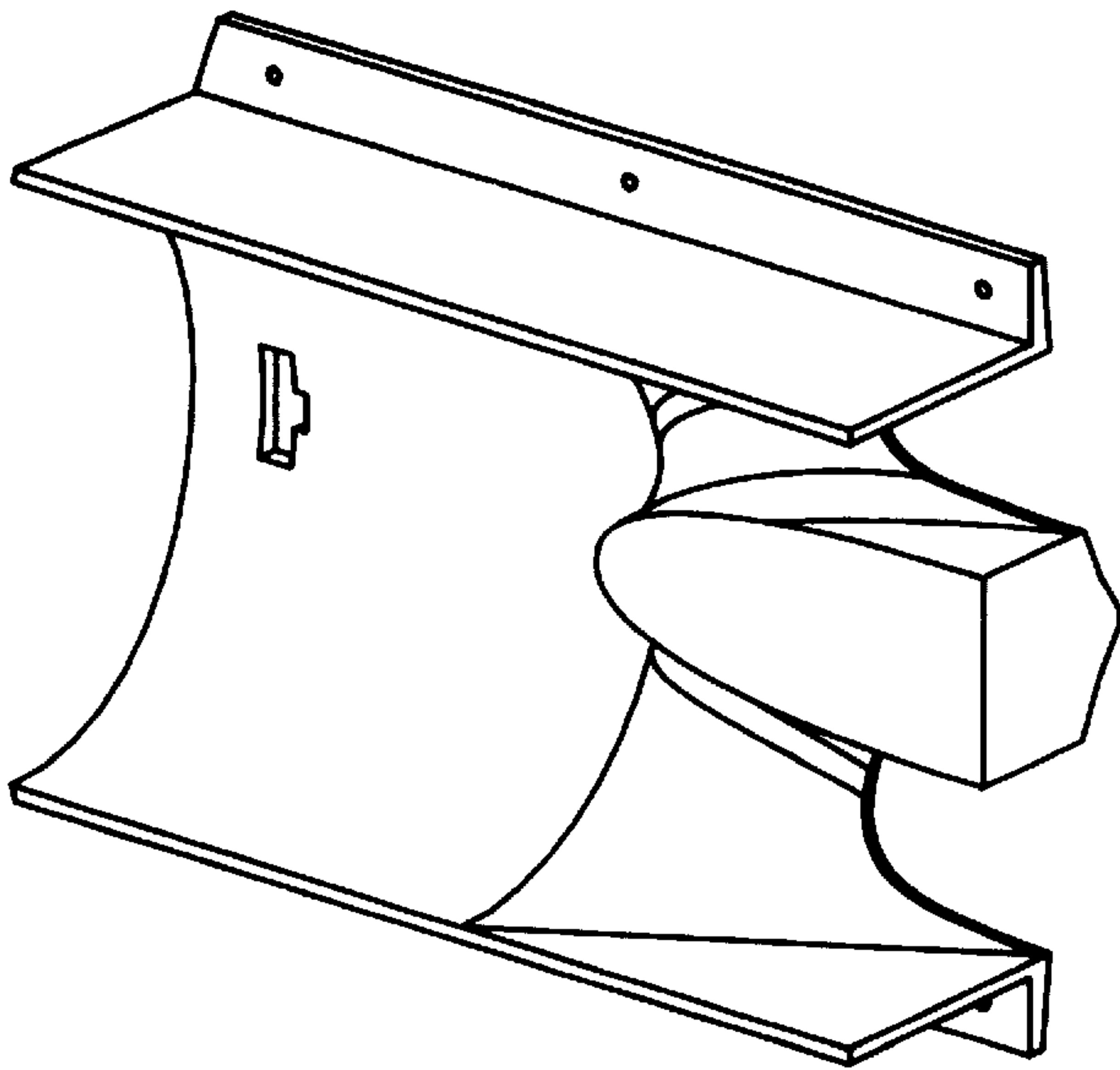


FIGURE 1

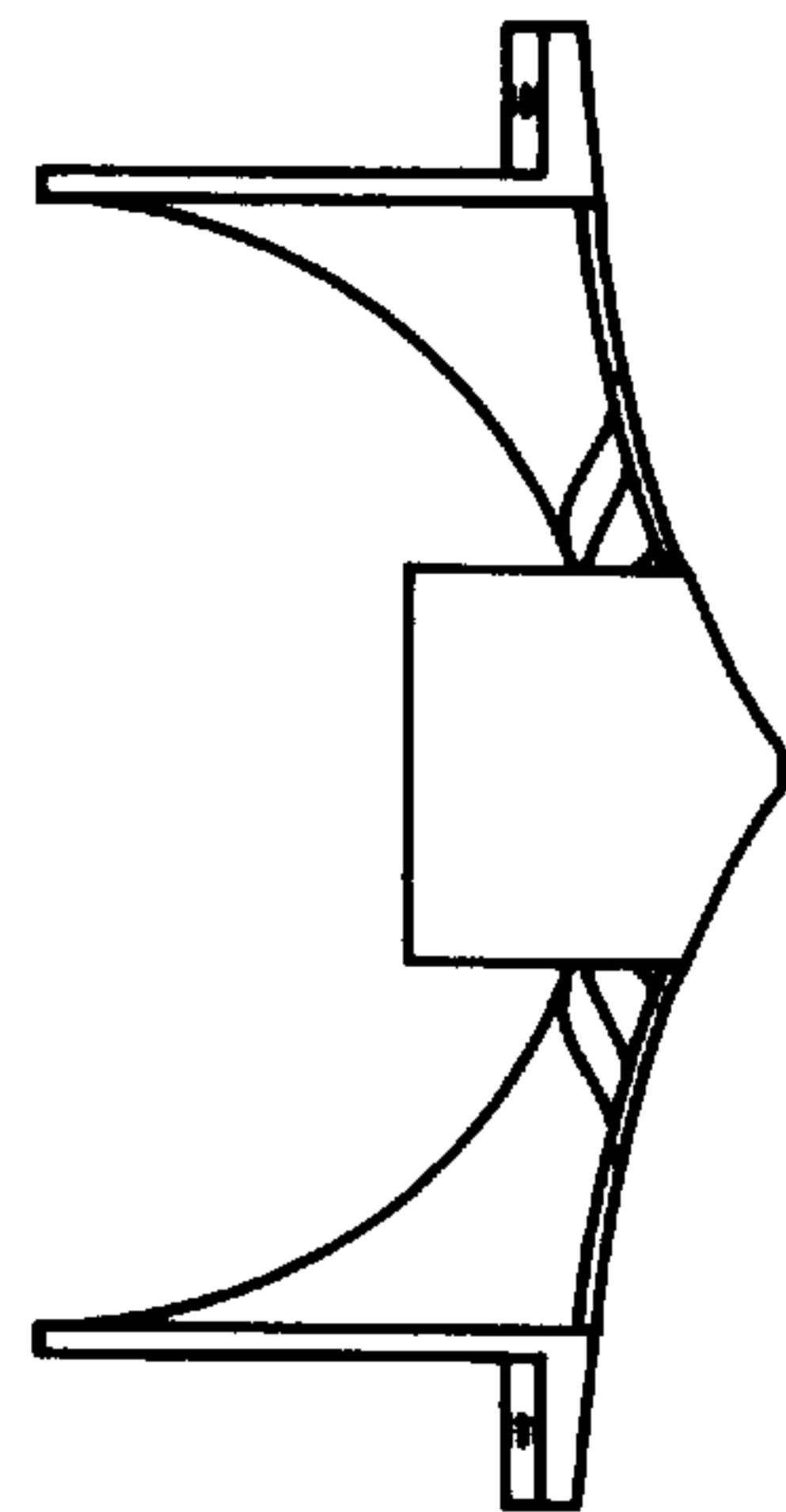


FIGURE 2

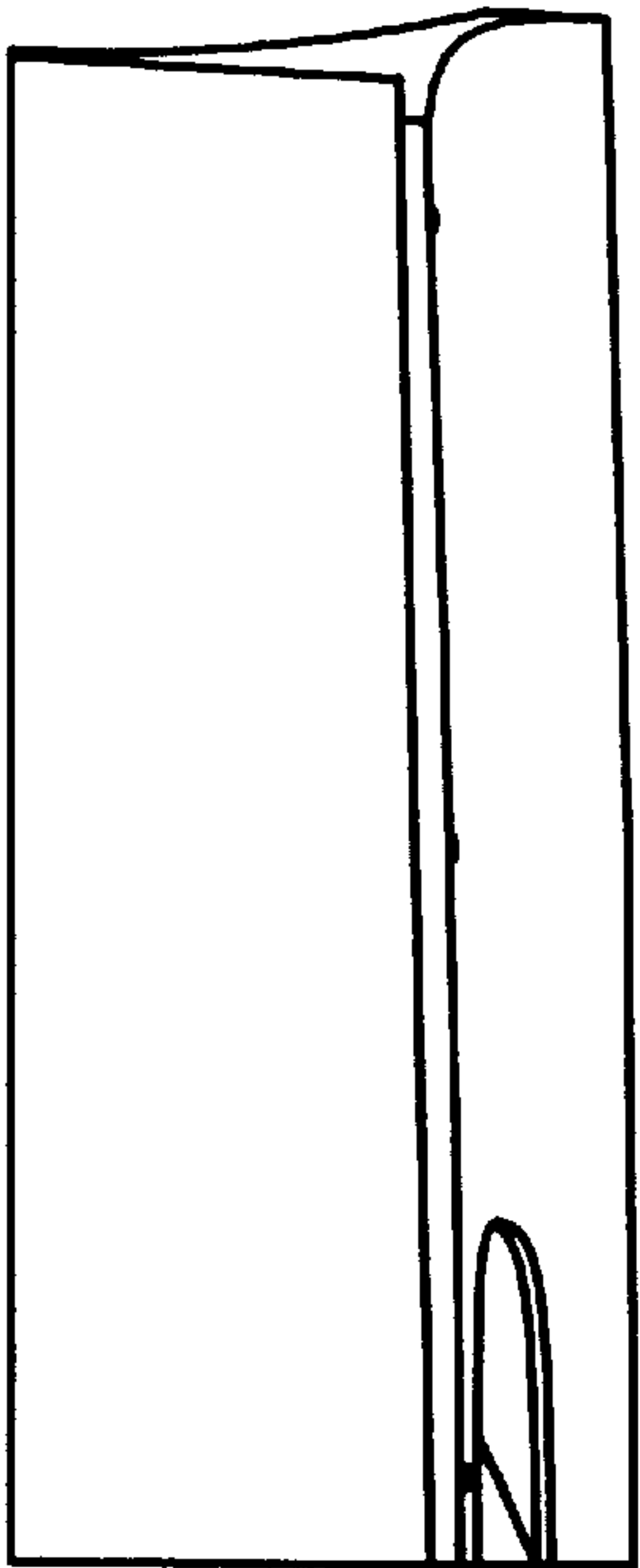


FIGURE 4

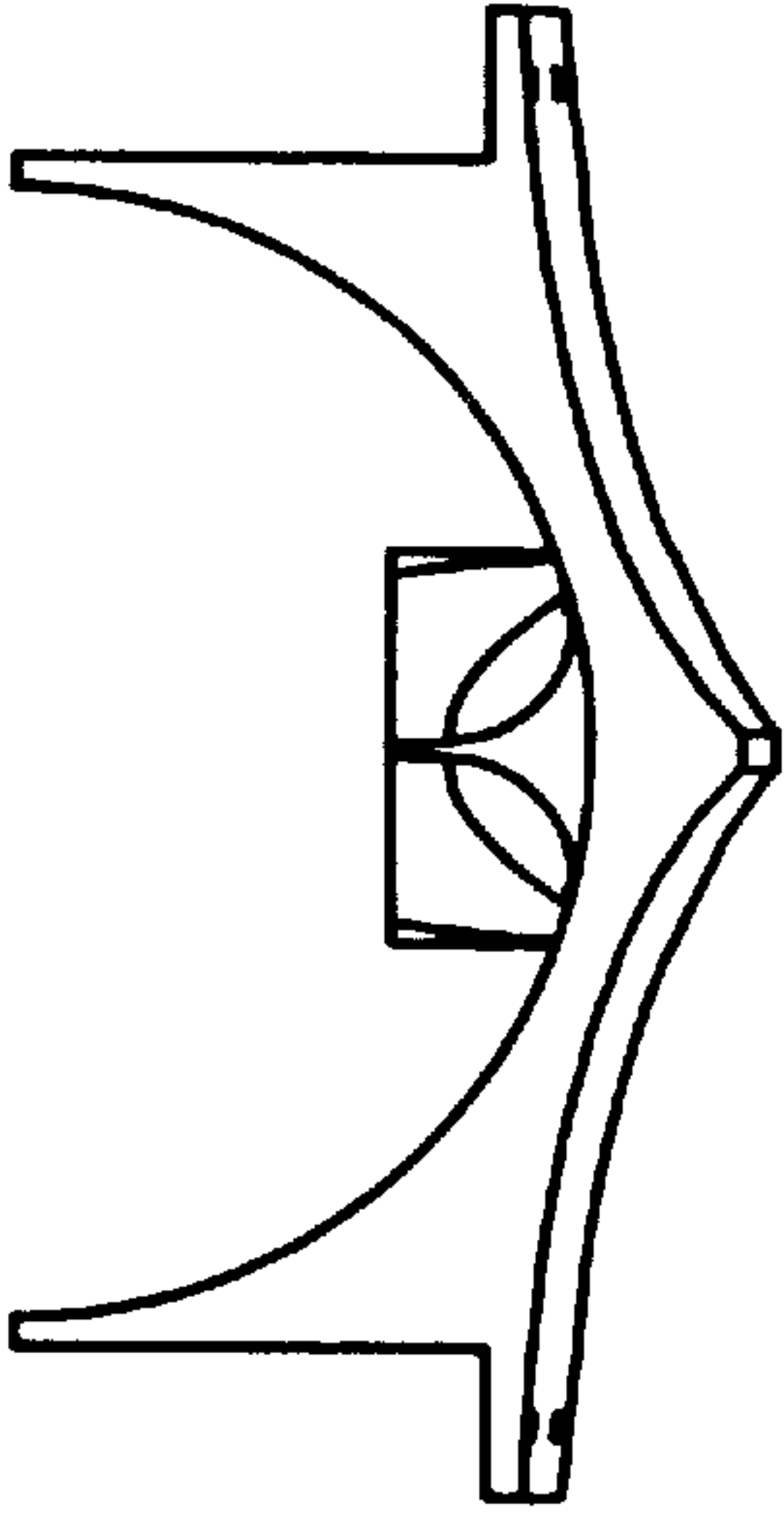


FIGURE 5

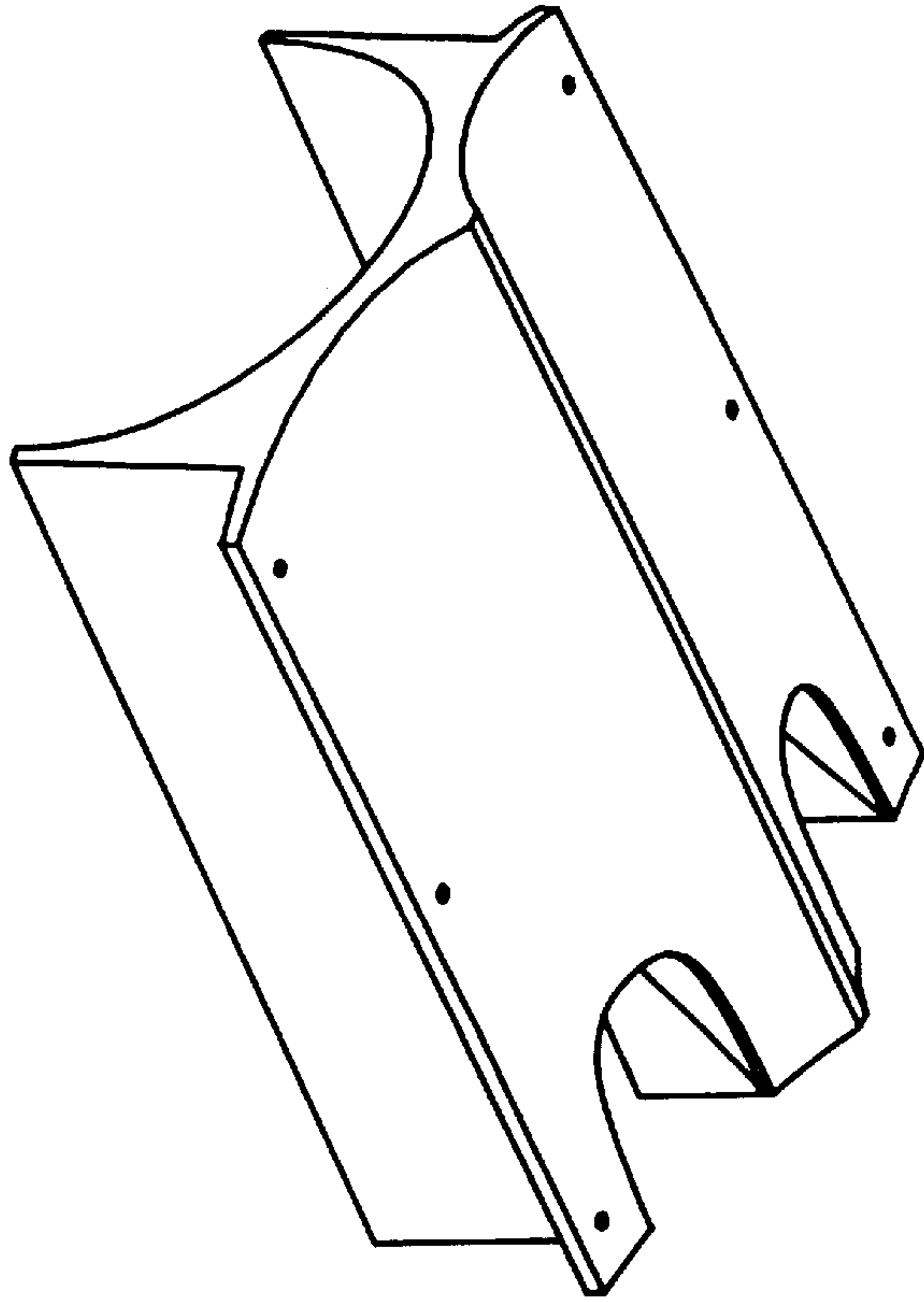


FIGURE 6