



US00D416534S

United States Patent [19] Couzyn et al.

[11] **Patent Number: Des. 416,534**

[45] **Date of Patent: ** Nov. 16, 1999**

[54] **FRONT FACE OF A VEHICLE WHEEL**

[75] Inventors: **Nolan Couzyn**, Strathavon; **Ian Gilley**,
Constantia; **Hywel Glyn-Jones**,
Sandown, all of South Africa

[73] Assignee: **Just Wheels & Tires**, Santa Ana, Calif.

[**] Term: **14 Years**

[21] Appl. No.: **29/096,371**

[22] Filed: **Nov. 12, 1998**

[51] **LOC (6) Cl.** **12-16**

[52] **U.S. Cl.** **D12/211**

[58] **Field of Search** D12/204-213;
301/64.1, 65, 37.1

[56] **References Cited**

U.S. PATENT DOCUMENTS

- D. 45,097 12/1913 Walther D12/211
- D. 329,416 9/1992 Braungart et al. D12/209
- D. 360,866 8/1995 Echazabal et al. D12/209

- D. 363,912 11/1995 Chung D12/209
- D. 388,046 12/1997 Roesianto D12/209
- D. 391,216 2/1998 Bollmann et al. D12/209
- D. 408,346 4/1999 Goplen D12/211

Primary Examiner—Doris V. Coles
Assistant Examiner—Stacia Sinuik
Attorney, Agent, or Firm—Liniak, Berenato, Longacre &
White

[57] **CLAIM**

The ornamental design for a front face of a vehicle wheel,
as shown and described.

DESCRIPTION

FIG. 1 is a front view of the front face of vehicle wheel
according to the present invention; and,
FIG. 2 is a front elevational perspective view of the front
face of a vehicle wheel of FIG. 1 according to the present
invention.

The broken line showing of environment is for illustrative
purposes only and forms no part of the claimed design.

1 Claim, 2 Drawing Sheets

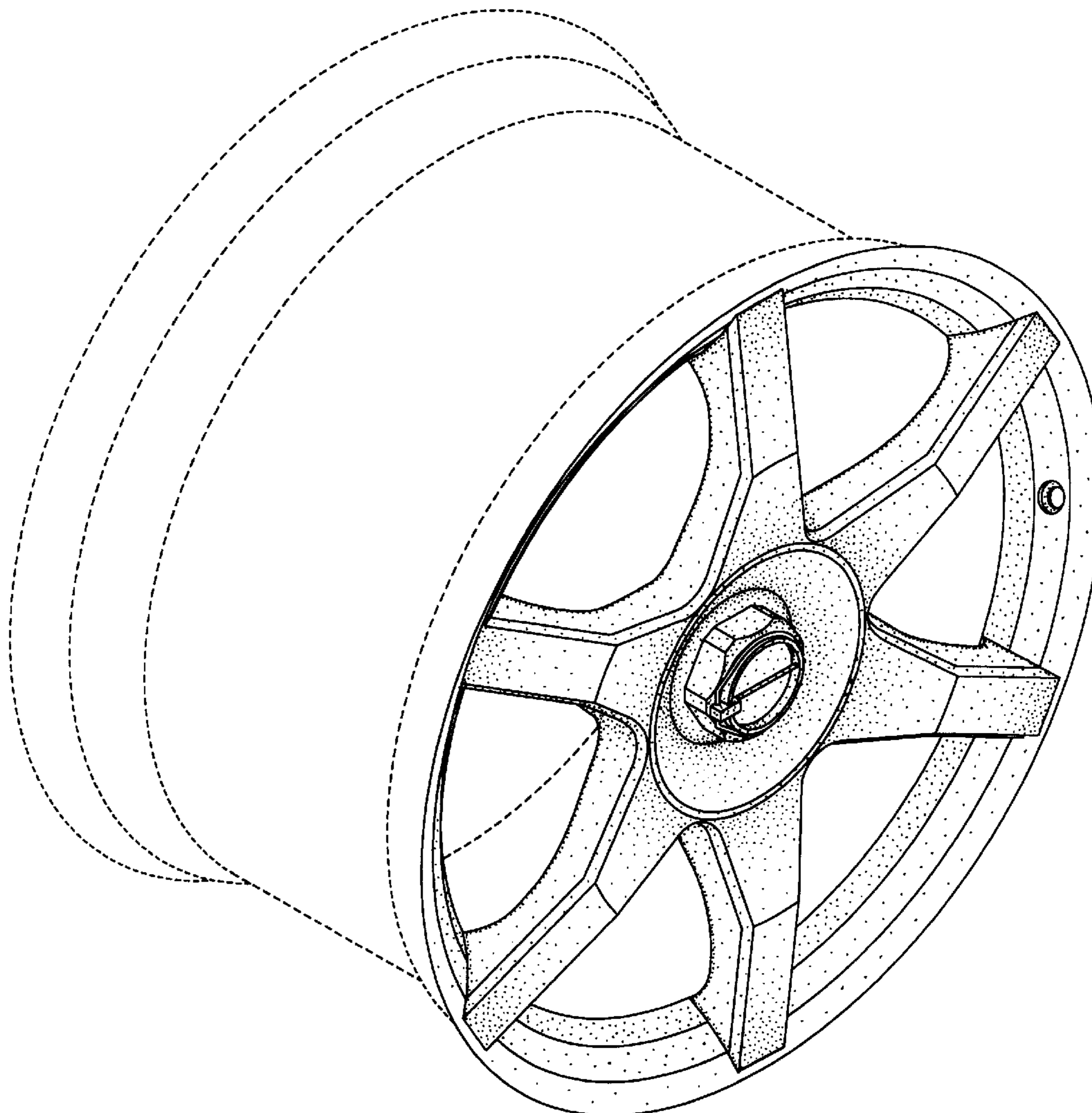


Fig. 1

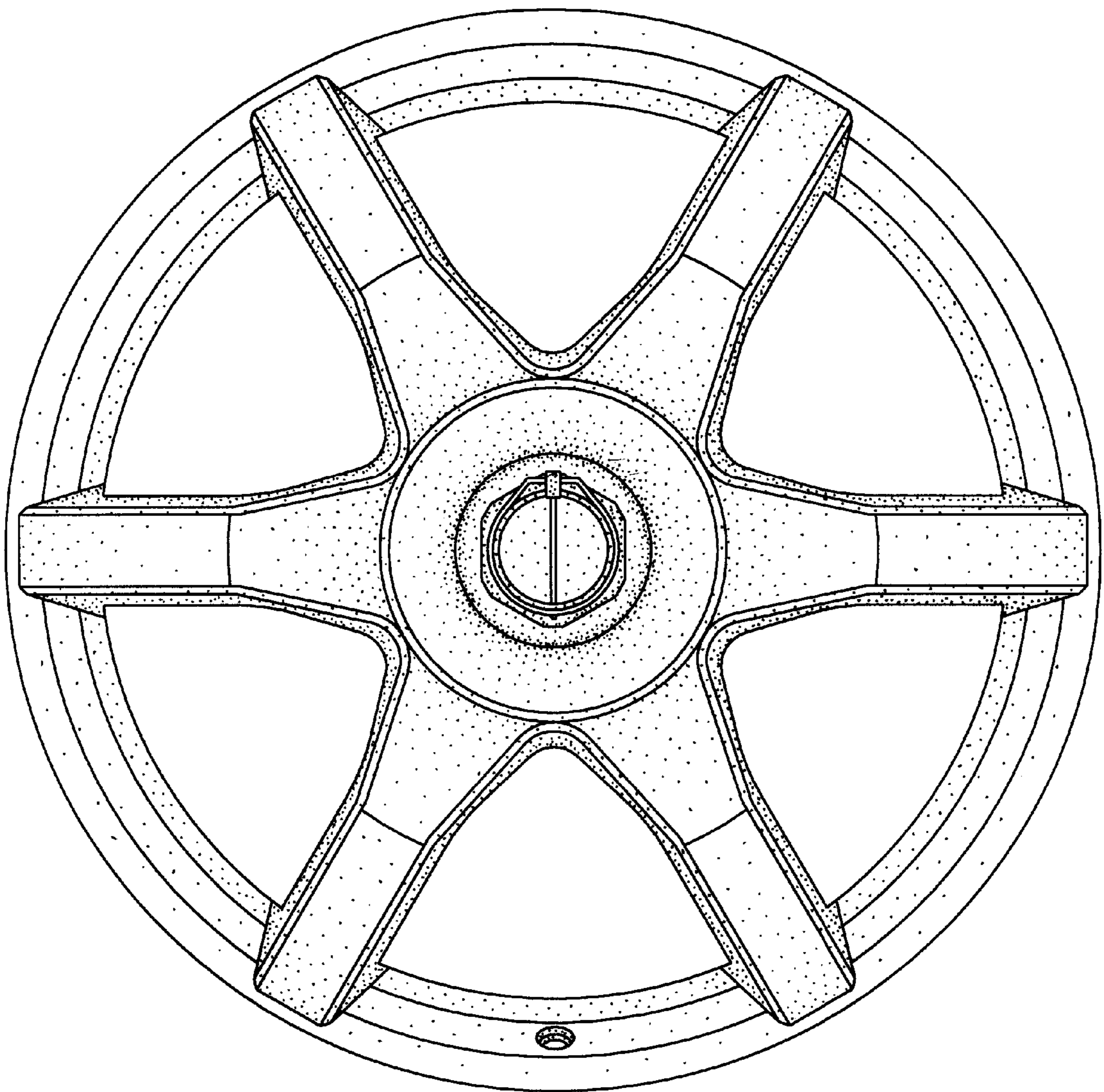


Fig. 2

