



US00D416531S

United States Patent [19]
Gabath

[11] **Patent Number: Des. 416,531**

[45] **Date of Patent: ** Nov. 16, 1999**

[54] **FRONT FACE OF A VEHICLE WHEEL**

[75] Inventor: **Peter Gabath**, Starnberg, Germany

[73] Assignee: **Bayerische Motoren Werke Aktiengesellschaft**, Munich, Germany

[**] Term: **14 Years**

[21] Appl. No.: **29/097,529**

[22] Filed: **Dec. 9, 1998**

[30] **Foreign Application Priority Data**

Jun. 10, 1998 [DE] Germany M 98 05 818

[51] **LOC (6) Cl.** **12-16**

[52] **U.S. Cl.** **D12/209**

[58] **Field of Search** D12/204-213;
301/64.1, 65, 37.1

[56] **References Cited**

U.S. PATENT DOCUMENTS

D. 302,146 7/1989 Black D12/211
D. 323,806 2/1992 Stewart D12/209

D. 325,018 3/1992 Nordmann D12/209
D. 363,457 10/1995 Coddington D12/209
D. 381,950 8/1997 Clement D12/211
D. 383,428 9/1997 Brown et al. D12/209
D. 397,664 9/1998 Kulla D12/209
D. 400,841 11/1998 Sacco et al. D12/209
D. 408,004 4/1999 Cullen D12/209

Primary Examiner—Doris V. Coles
Assistant Examiner—Stacia Sinuik
Attorney, Agent, or Firm—Evenson, McKeown, Edwards & Lenahan, P.L.L.C.

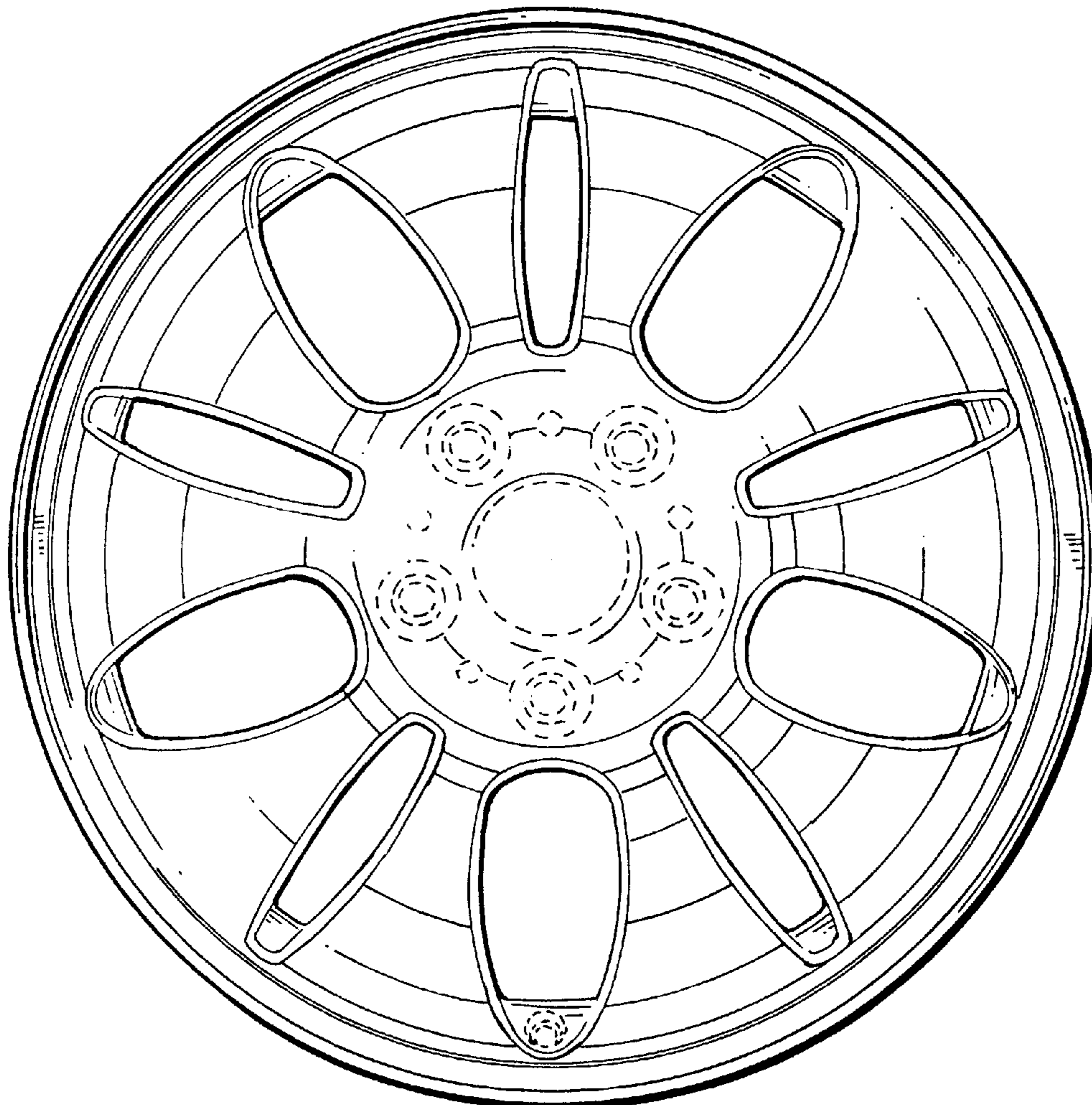
[57] **CLAIM**

The ornamental design for a front face of a vehicle wheel, as shown and described.

DESCRIPTION

FIG. 1 is a front view of a front face of a vehicle wheel according to my novel design; and, FIG. 2 is a perspective view from the front side of a front face of a vehicle wheel according to my novel design. The dash line included depicts environment and is not part of the claimed design.

1 Claim, 1 Drawing Sheet



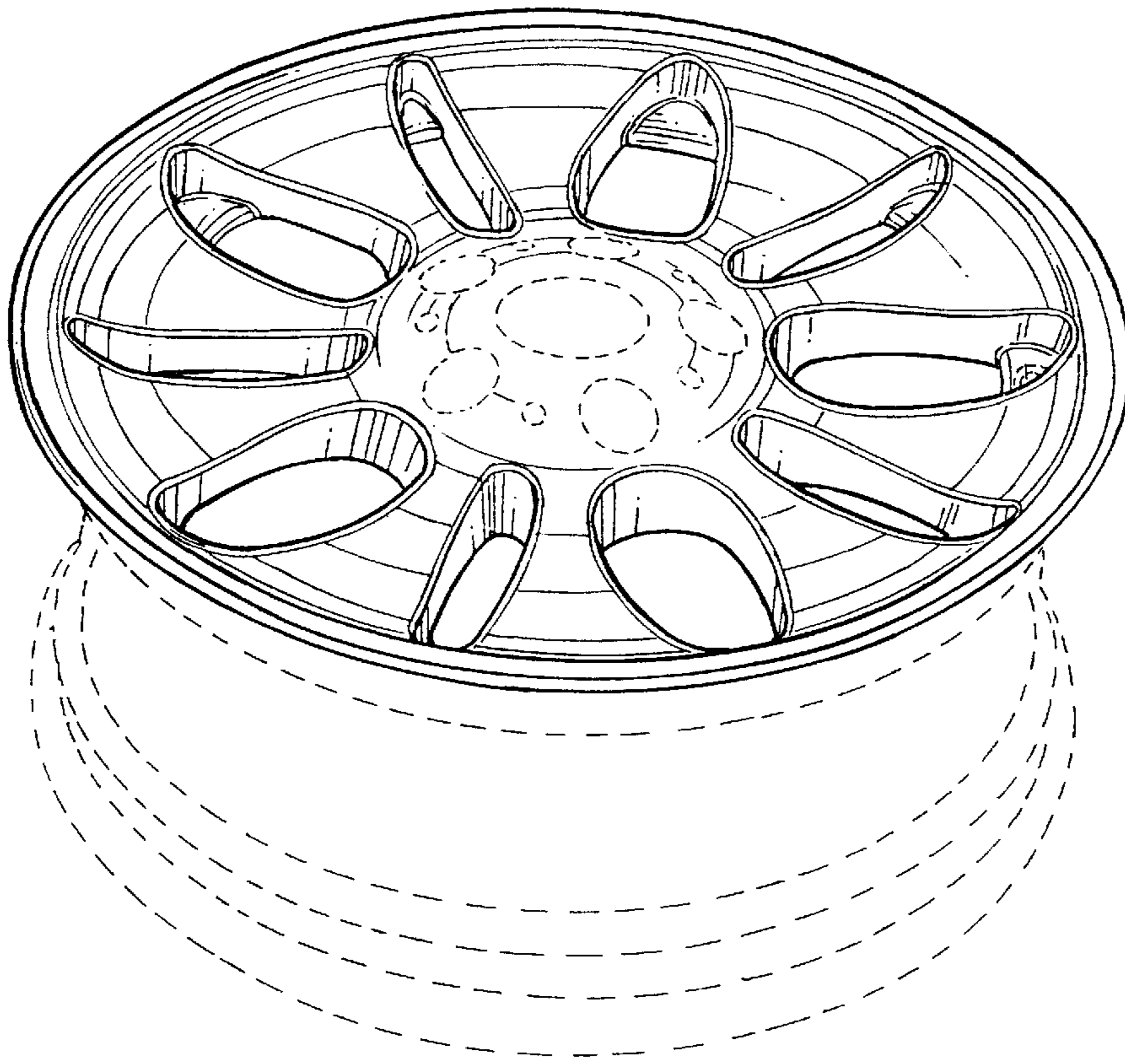


FIG. 2

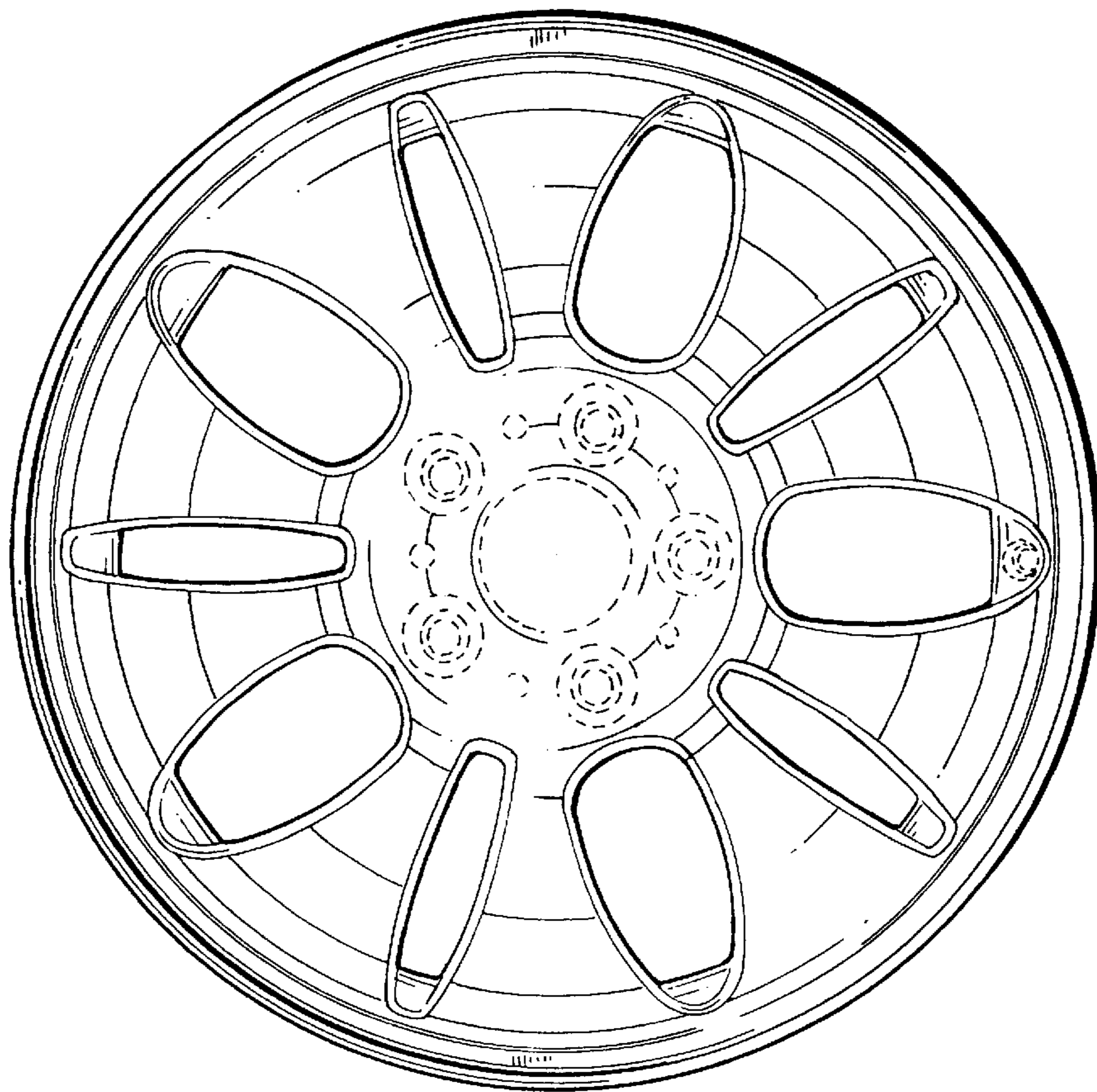


FIG. 1