



US00D416517S

# United States Patent [19] Goldfarb

[11] **Patent Number: Des. 416,517**

[45] **Date of Patent: \*\* Nov. 16, 1999**

[54] **DUAL FLAG HOLDER**

[75] Inventor: **Abraham Goldfarb**, Dallas, Tex.

[73] Assignee: **National Banner Company, Inc.**,  
Dallas, Tex.

[\*\*] Term: **14 Years**

[21] Appl. No.: **29/088,562**

[22] Filed: **May 27, 1998**

[51] **LOC (6) Cl.** ..... **11-05**

[52] **U.S. Cl.** ..... **D11/183; D11/182**

[58] **Field of Search** ..... D11/182, 183,  
D11/181; 248/309.1, 250; 24/455; 116/173,  
28 R; D3/215, 228; 40/591

[56] **References Cited**

**U.S. PATENT DOCUMENTS**

D. 54,937	4/1920	Lorentzen	.....	D11/182
D. 313,214	12/1990	Phillips	.....	D11/182
D. 316,484	4/1991	Kounis et al.	.....	D3/215
4,163,426	8/1979	O'Neill	.....	116/28 R
4,348,978	9/1982	Brucato	.....	116/28 R
4,519,153	5/1985	Moon et al.	.....	40/591
4,590,883	5/1986	Steed et al.	.....	116/173
4,650,147	3/1987	Griffin	.....	248/539
4,884,524	12/1989	Minotti	.....	116/28 R
4,986,209	1/1991	Spica	.....	116/28 R

5,020,758	6/1991	Rawlyk	.....	248/250
5,233,938	8/1993	Lalo	.....	116/173
5,249,381	10/1993	Panossian	.....	40/591
5,483,916	1/1996	Kolvites et al.	.....	116/173
5,489,078	2/1996	Risley	.....	D3/215 X
5,586,741	12/1996	Cuneo	.....	D3/215 X
5,662,255	9/1997	Lu	.....	248/250 X

*Primary Examiner*—M. N. Pandozzi  
*Attorney, Agent, or Firm*—Locke Liddell & Sapp LLP

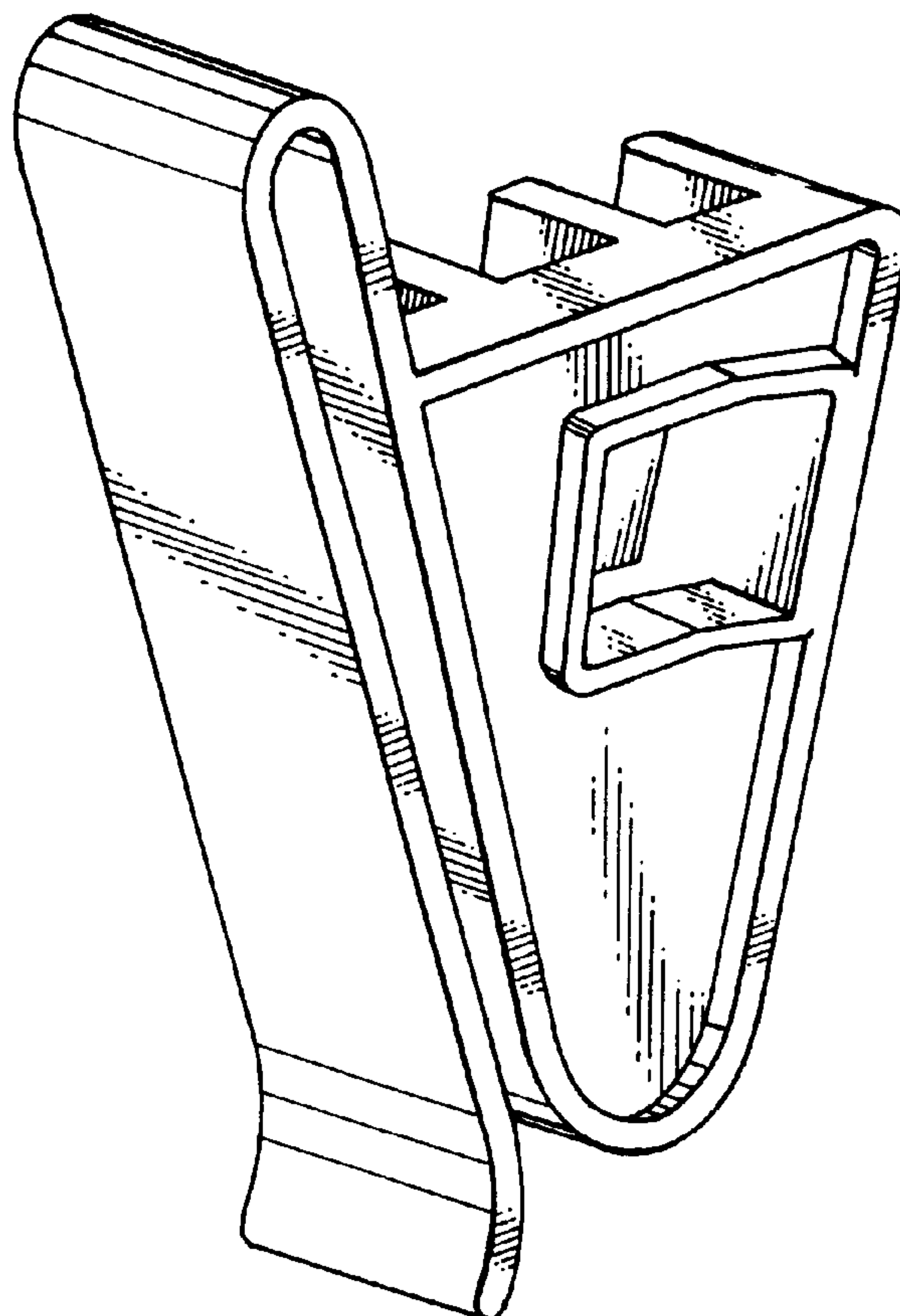
[57] **CLAIM**

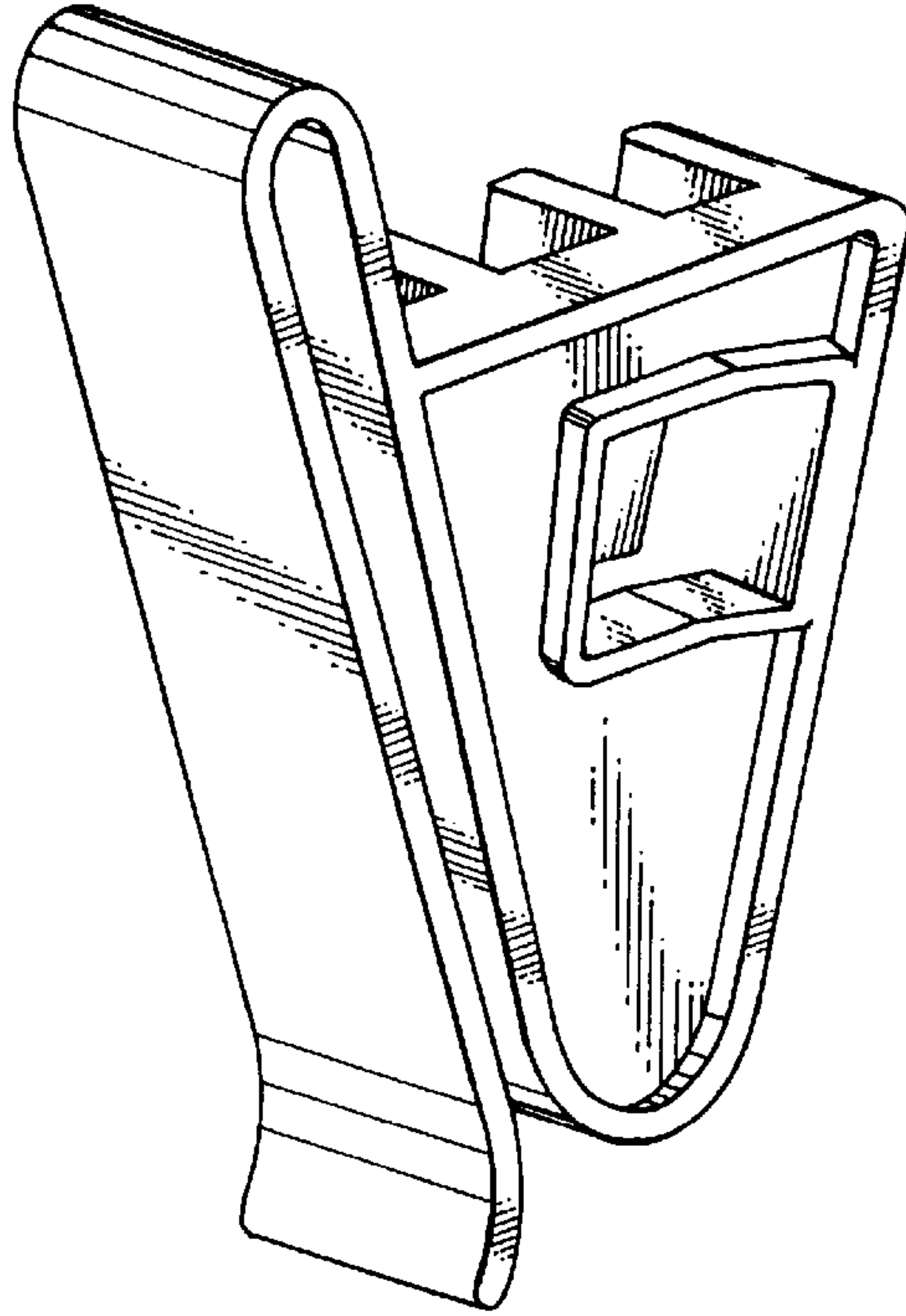
The ornamental design for a dual flag holder, as shown and described.

**DESCRIPTION**

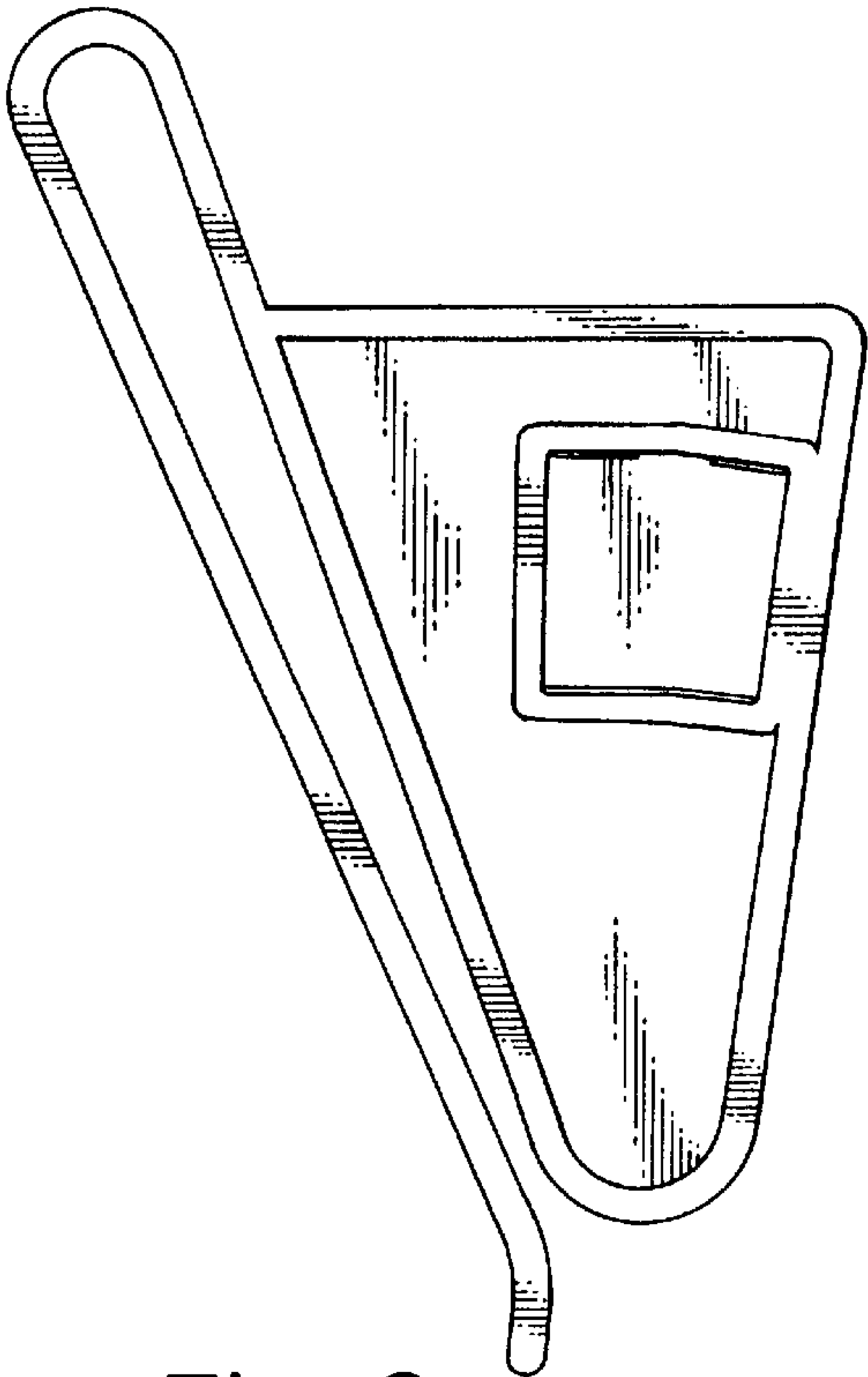
FIG. 1 is a left forward perspective view of the dual flag holder of a first embodiment of the present invention; FIG. 2 is a forward elevational view of the dual flag holder of a first embodiment of the present invention; FIG. 3 is a right side elevational view of the dual flag holder of a first embodiment of the present invention; FIG. 4 is a rearward elevational view of the dual flag holder of a first embodiment of the present invention; FIG. 5 is a top elevational view of the dual flag holder of a first embodiment of the present invention; and, FIG. 6 is a bottom elevational view of the dual flag holder of a first embodiment of the present invention.

**1 Claim, 2 Drawing Sheets**

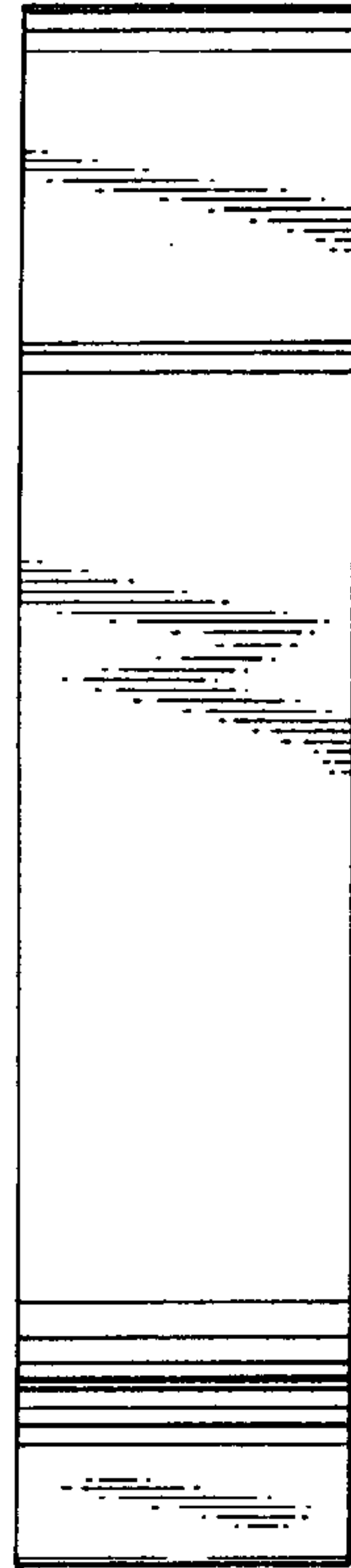




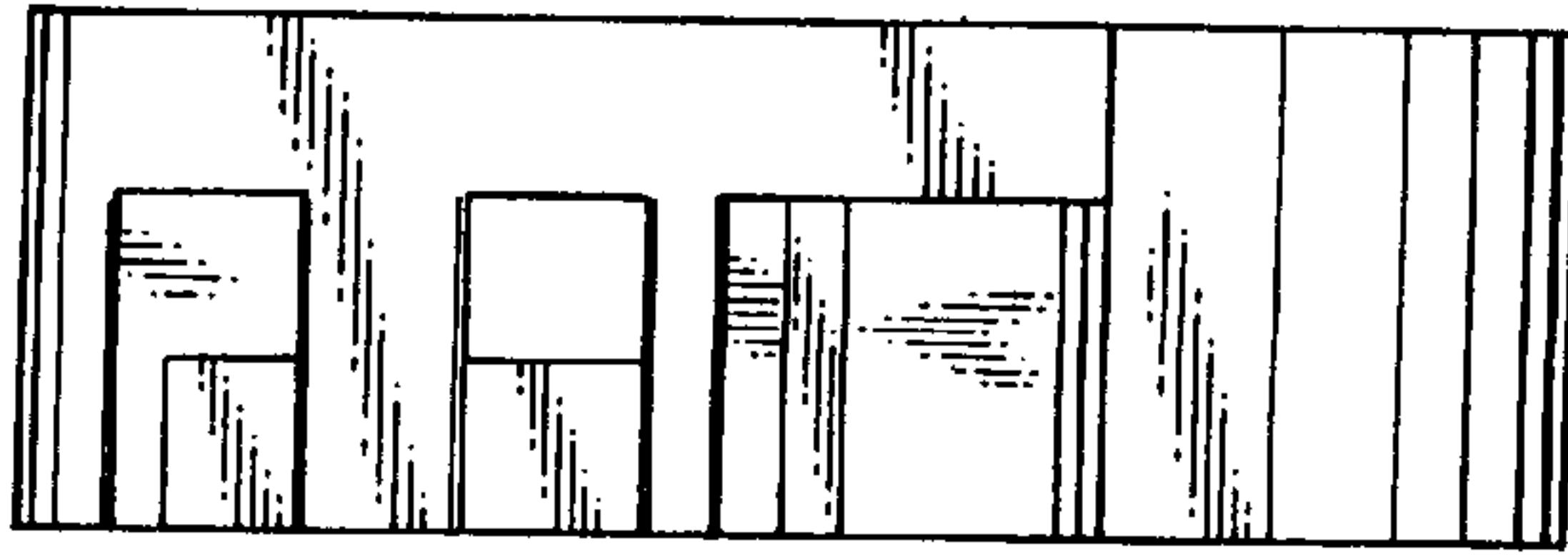
*Fig. 1*



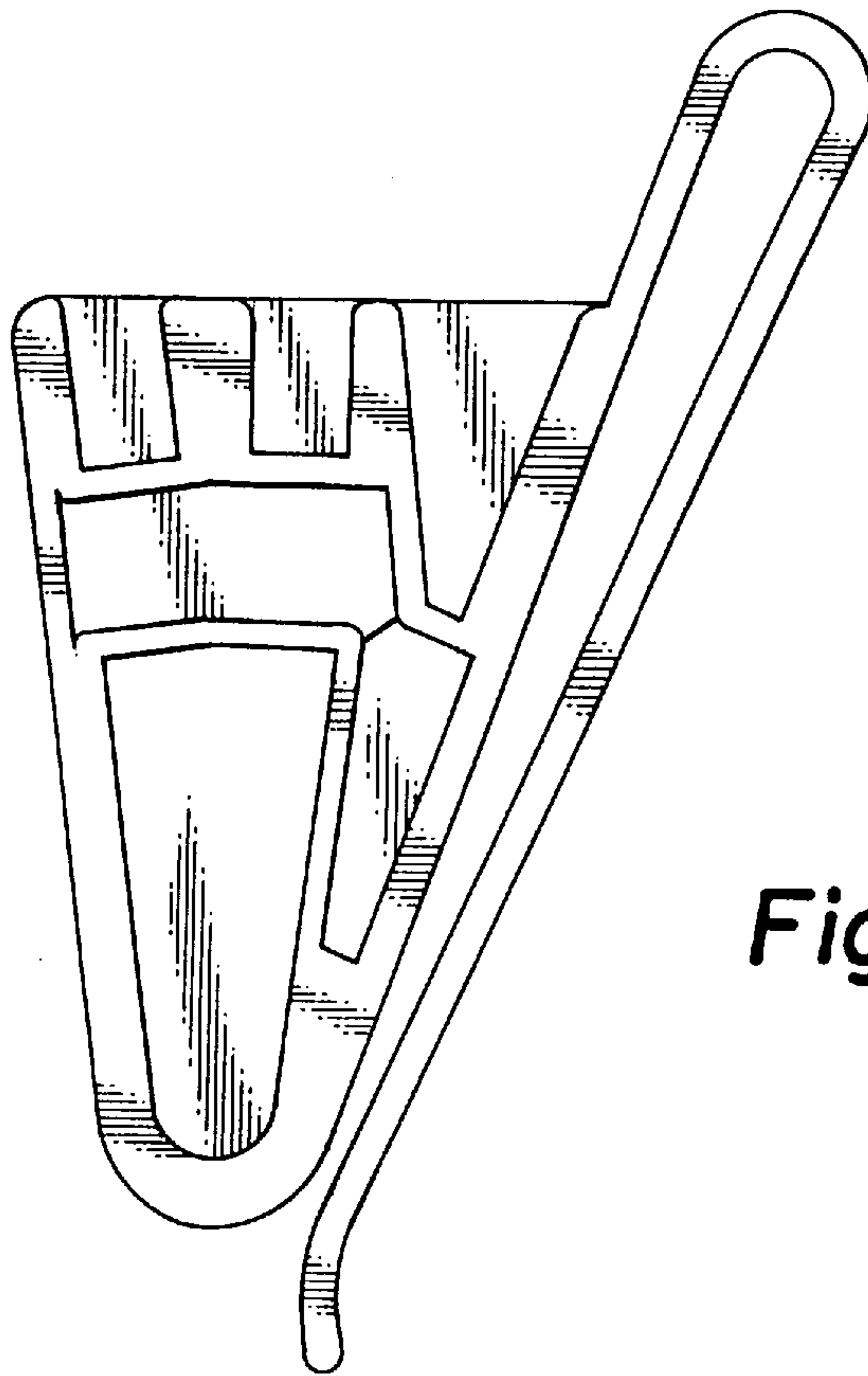
*Fig. 2*



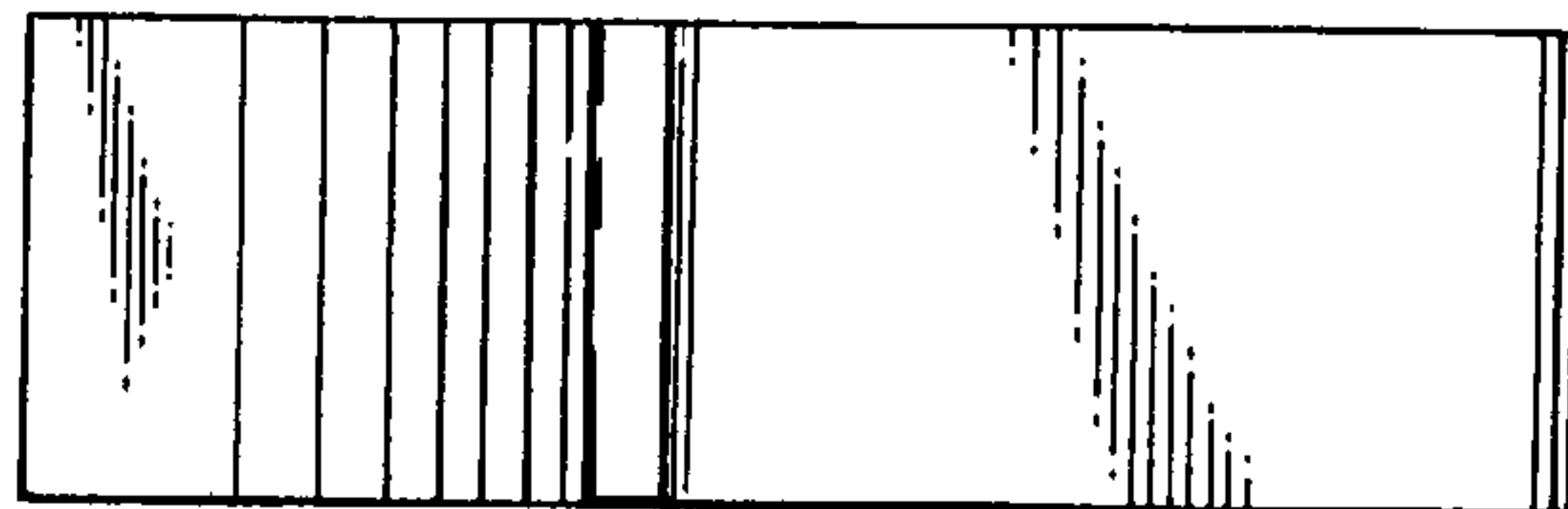
*Fig. 3*



*Fig. 5*



*Fig. 4*



*Fig. 6*