



US00D416516S

# United States Patent [19]

Zee

[11] Patent Number: **Des. 416,516**

[45] Date of Patent: **\*\* Nov. 16, 1999**

[54] **LETTER "X" RACER SCULPTURE**

[76] Inventor: **Ramm Ell Zee**, 46 Laight St. Apt. 2-F,  
New York, N.Y. 10013

[\*\*] Term: **14 Years**

[21] Appl. No.: **29/095,425**

[22] Filed: **Oct. 21, 1998**

[51] **LOC (6) Cl.** ..... **11-02**

[52] **U.S. Cl.** ..... **D11/158**

[58] **Field of Search** ..... D11/157, 158,  
D11/131; D21/389, 576, 579, 580, 598,  
615; 428/913.3; 446/279, 368, 321, 330,  
351

[56] **References Cited**

### U.S. PATENT DOCUMENTS

D. 157,828 3/1950 Asf ..... D11/158  
D. 186,893 12/1959 Lashner ..... D11/158

D. 226,437 3/1973 Jordan et al. .... D11/158  
D. 275,212 8/1984 Allen et al. .  
D. 318,500 7/1991 Malewicky et al. .  
D. 369,631 5/1996 Stewart et al. .  
D. 384,910 10/1997 Wood ..... D11/158  
D. 387,759 12/1997 Minch ..... D11/157  
4,454,679 6/1984 Ogawa ..... 446/290  
4,708,690 11/1987 Kulesza et al. .... 446/351

*Primary Examiner*—Dominic Simone  
*Attorney, Agent, or Firm*—Richard L. Miller, P.E.

[57] **CLAIM**

The ornamental design for: "X" racer sculpture, as shown and described.

### DESCRIPTION

FIG. 1 is a three quarter front perspective view showing my new design for a letter "X" racer sculpture; FIG. 2 is a three quarter rear perspective view thereof; and, FIG. 3 is an bottom plan view thereof.

**1 Claim, 3 Drawing Sheets**

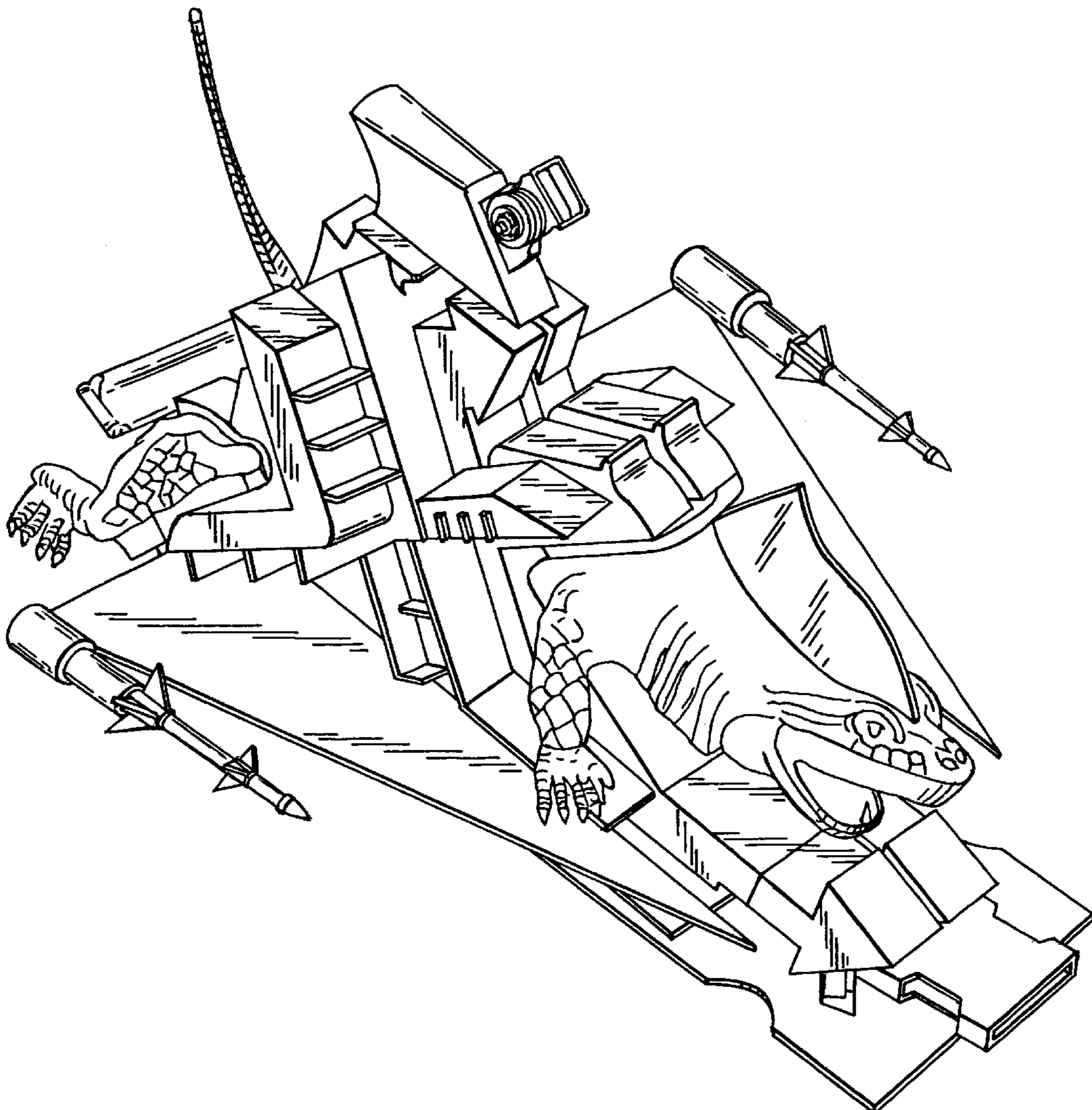
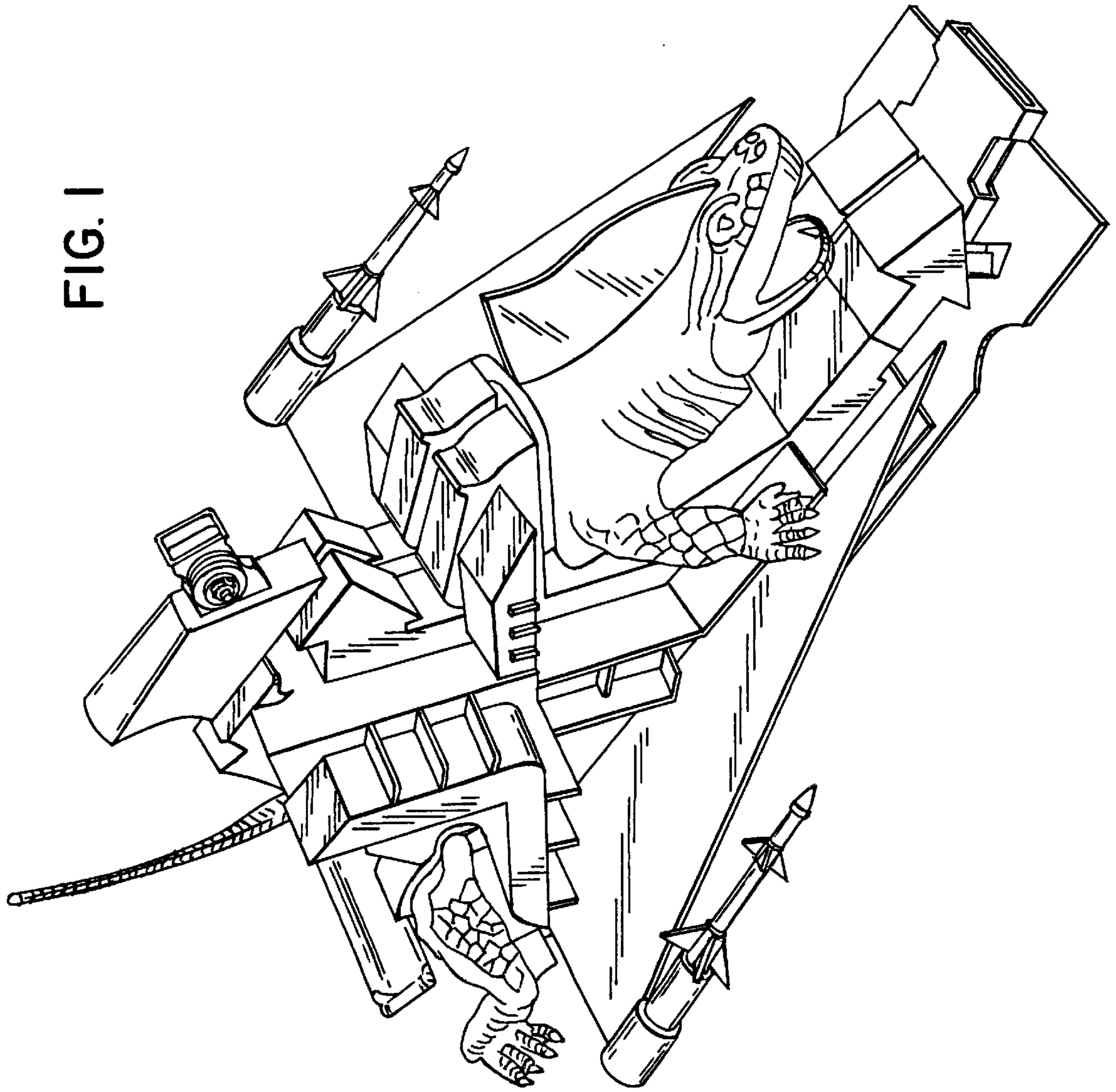


FIG. 1



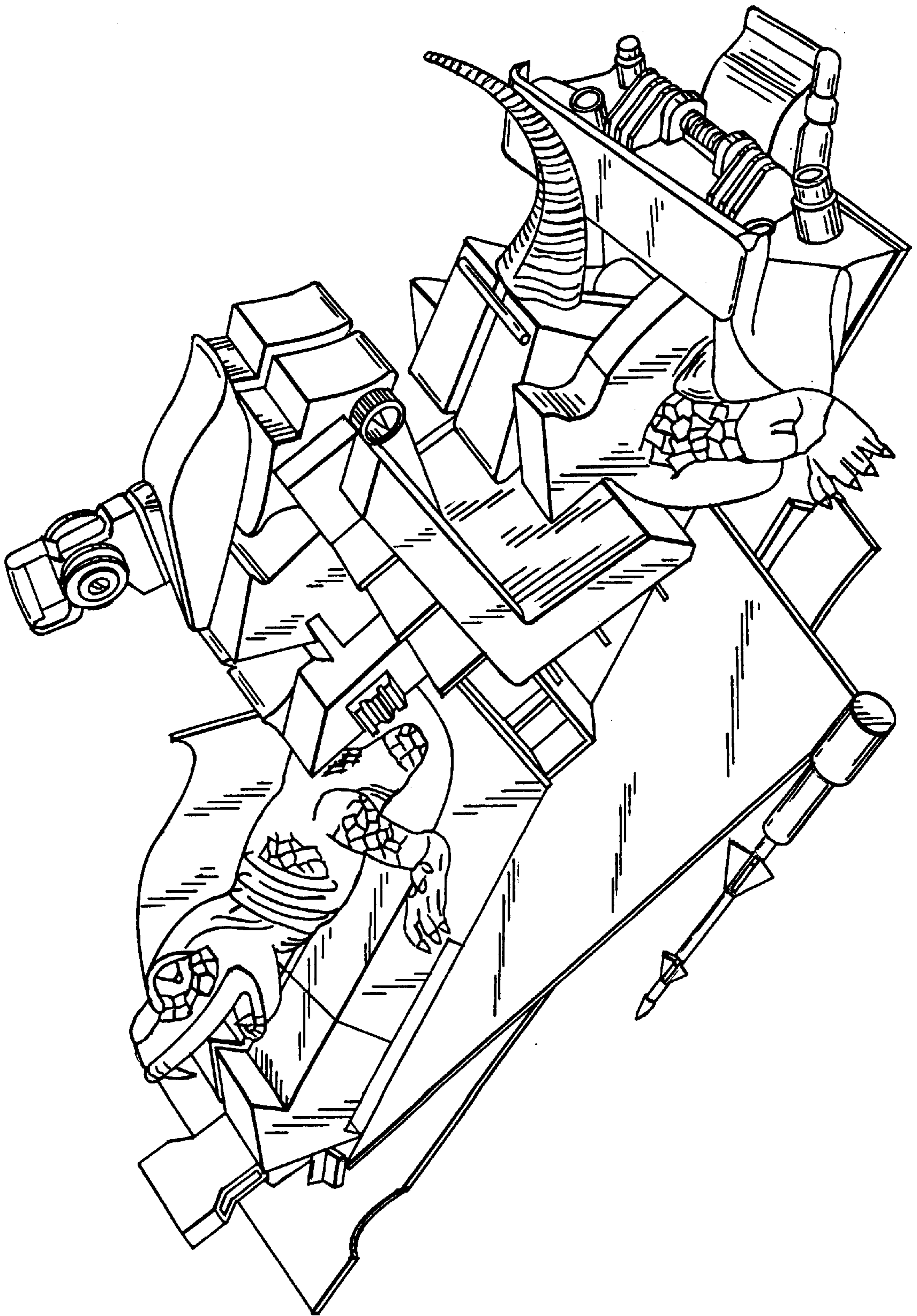


FIG. 2

FIG. 3

