



US00D416515S

United States Patent [19] Horvat

[11] **Patent Number: Des. 416,515**

[45] **Date of Patent: ** Nov. 16, 1999**

[54] **VASE FOR FLOWERS**

[75] Inventor: **Davorin Horvat**, Milan, Italy

[73] Assignee: **Aracaria B.V.**, Amsterdam, Netherlands

[**] Term: **14 Years**

[21] Appl. No.: **29/096,943**

[22] Filed: **Nov. 24, 1998**

[30] **Foreign Application Priority Data**

Jun. 16, 1998 [IT] Italy MI9800408

[51] **LOC (6) Cl.** **11-02**

[52] **U.S. Cl.** **D11/147**

[58] **Field of Search** D11/143-156;
D6/403, 405; 248/27.8; 206/423; 47/65.5,
41.01-41.15

[56] **References Cited**

U.S. PATENT DOCUMENTS

D. 132,691 6/1942 Sawyer D11/146

D. 189,480 12/1960 Albanese D11/143

D. 301,565 6/1989 Weder D11/152

OTHER PUBLICATIONS

Attitudes, Angles of Elegance vase, p. 44, 1995.

Primary Examiner—Doris V. Coles

Assistant Examiner—Linda Brooks

Attorney, Agent, or Firm—Notaro & Michalos P.C.

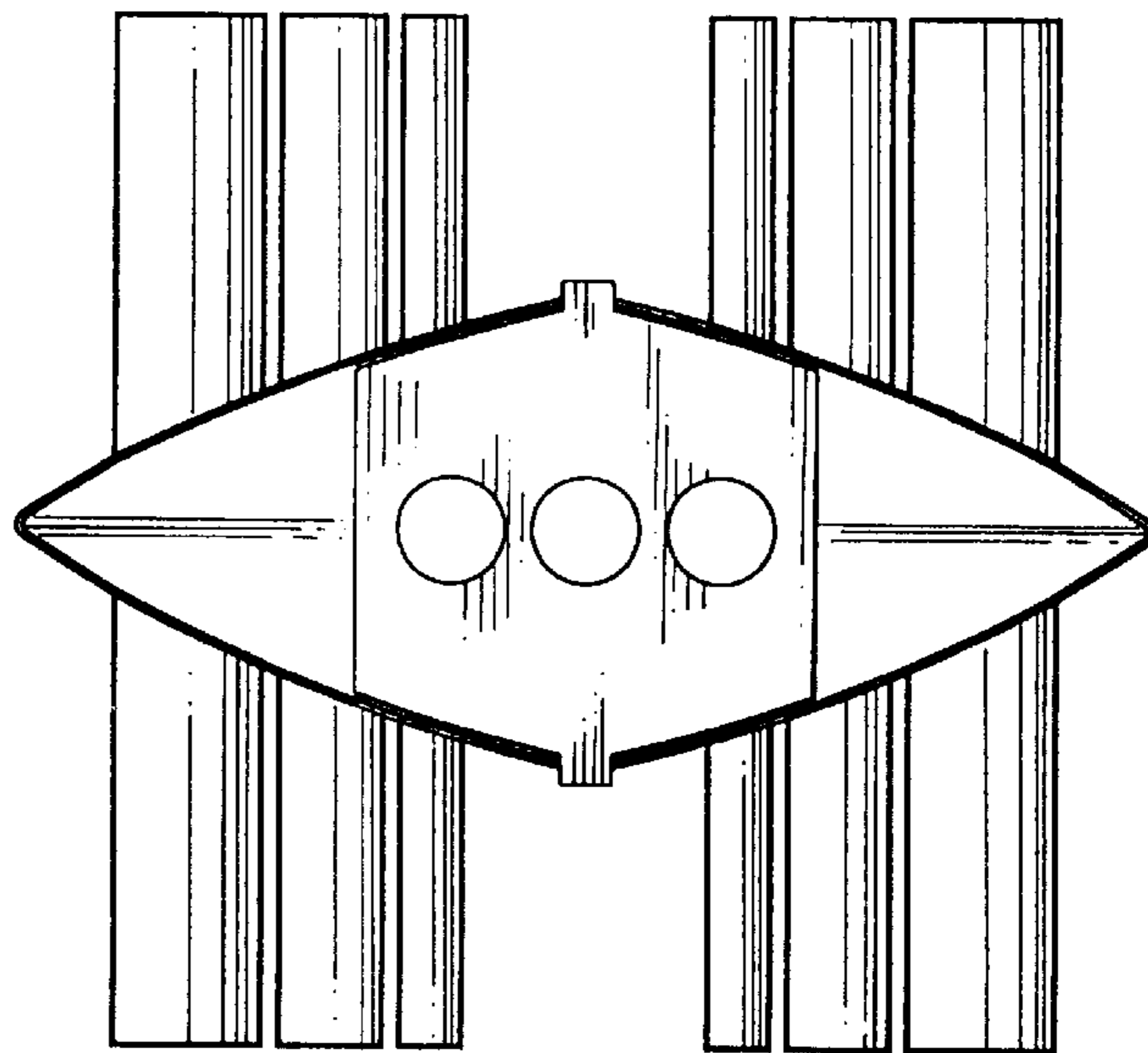
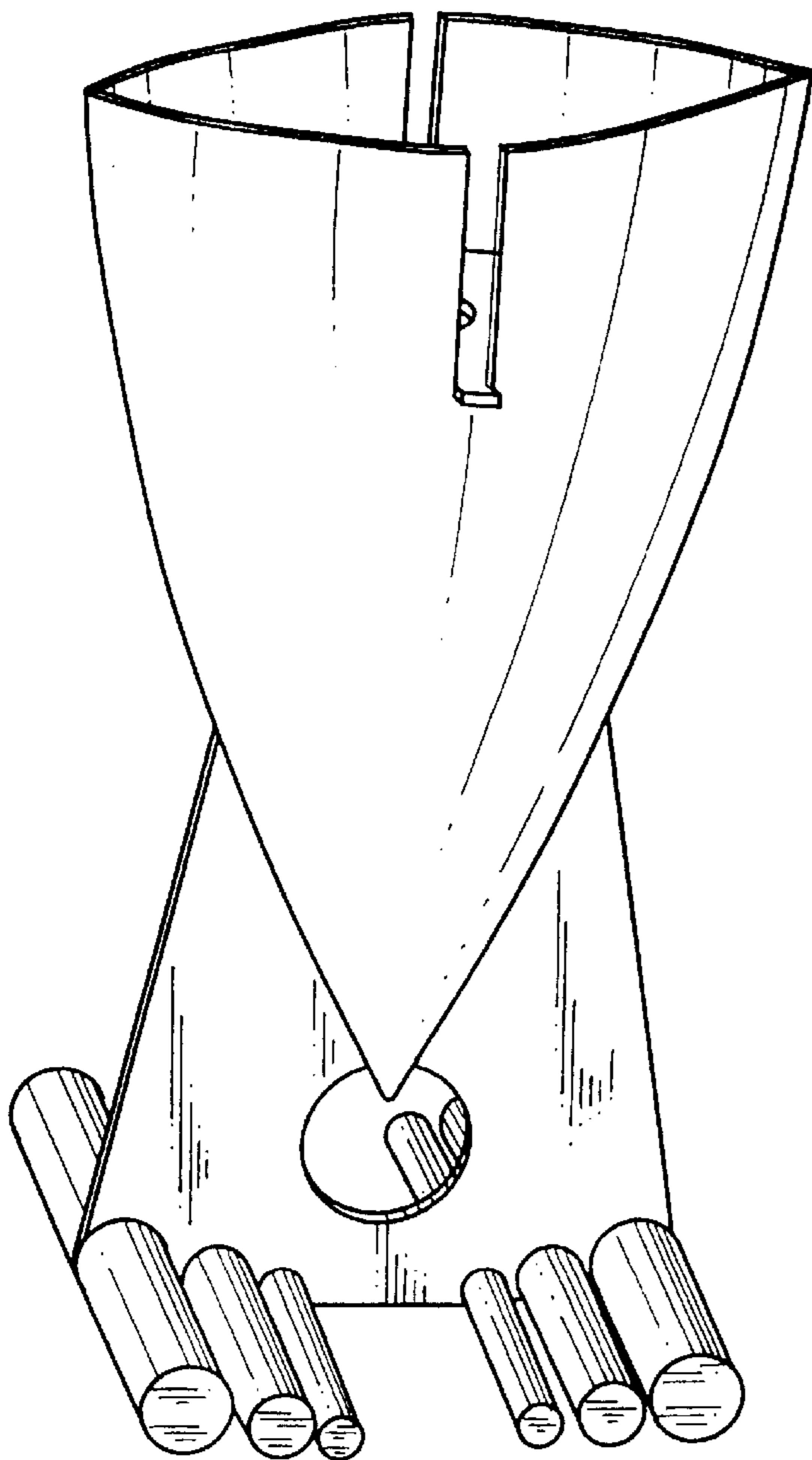
[57] **CLAIM**

The ornamental design for a vase for flowers, as shown and described.

DESCRIPTION

FIG. 1 is a front, left, top perspective view of a vase for flowers showing my design therefor;
FIG. 2 is a left side elevational view thereof;
FIG. 3 is a right side elevational view thereof;
FIG. 4 is a rear elevational view thereof; and
FIG. 5 is a front elevational view thereof;
FIG. 6 is a bottom plan view thereof; and,
FIG. 7 is a top plan view thereof.

1 Claim, 7 Drawing Sheets



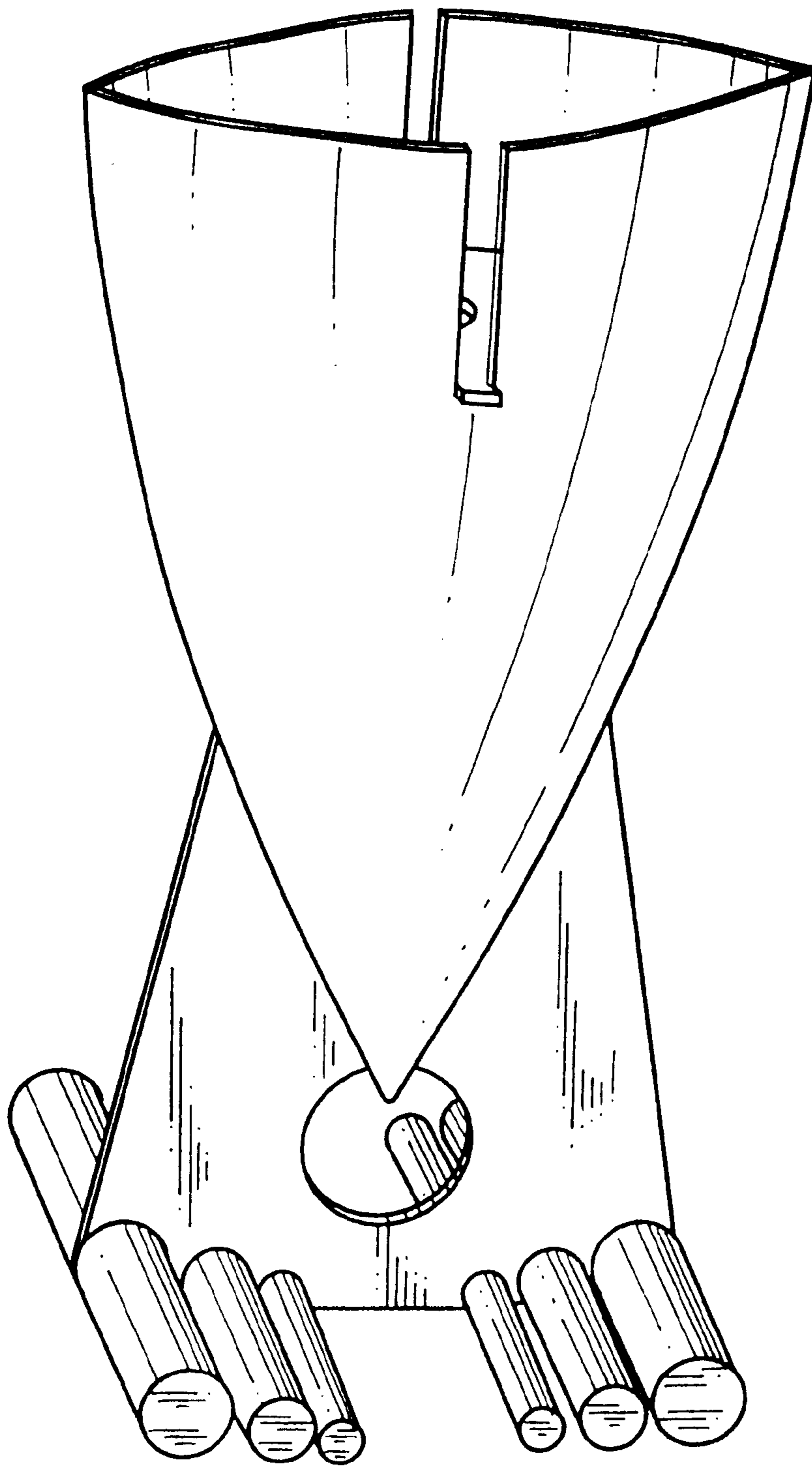


FIG. 1

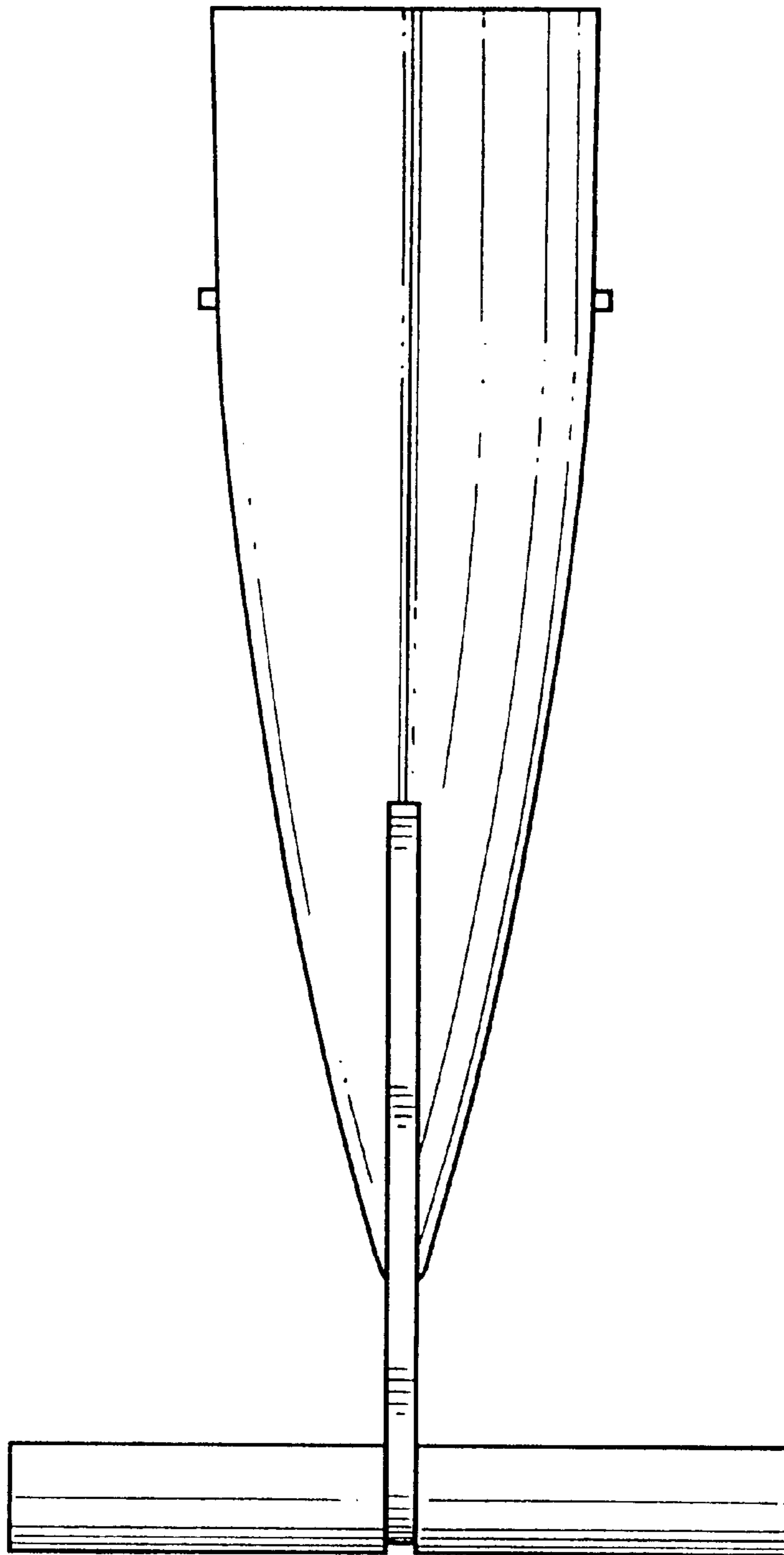


FIG. 2

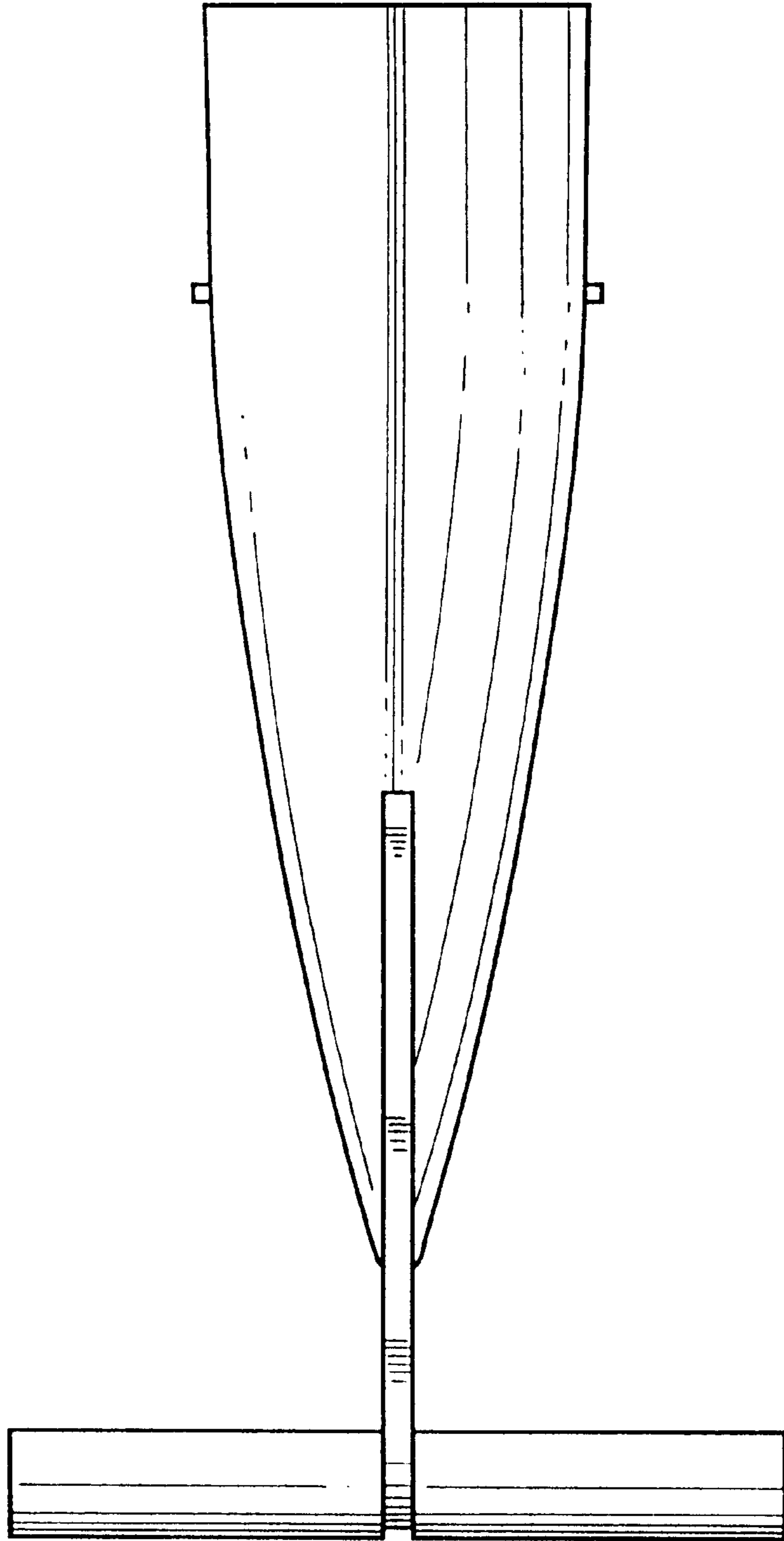


FIG. 3

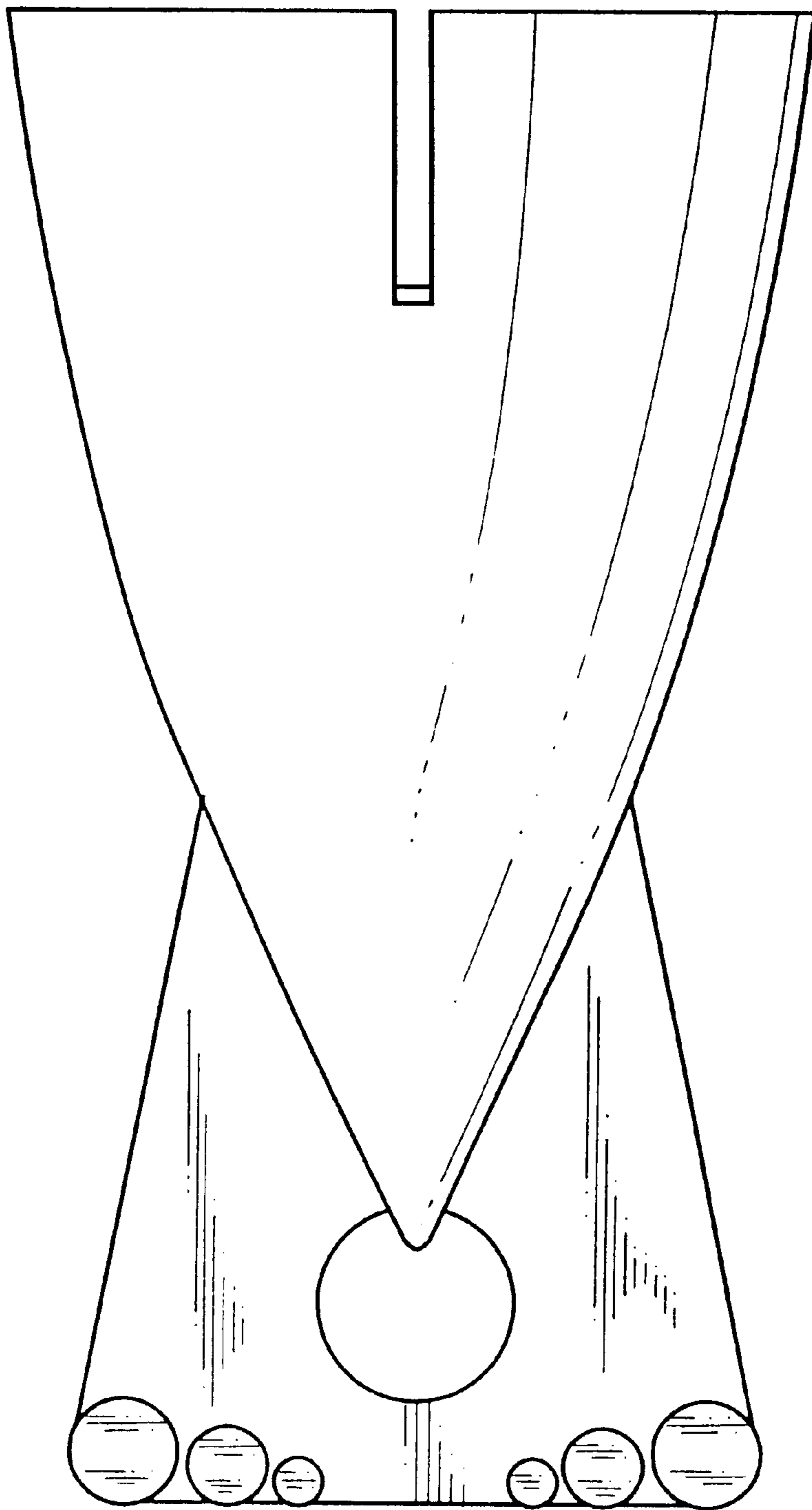


FIG. 4

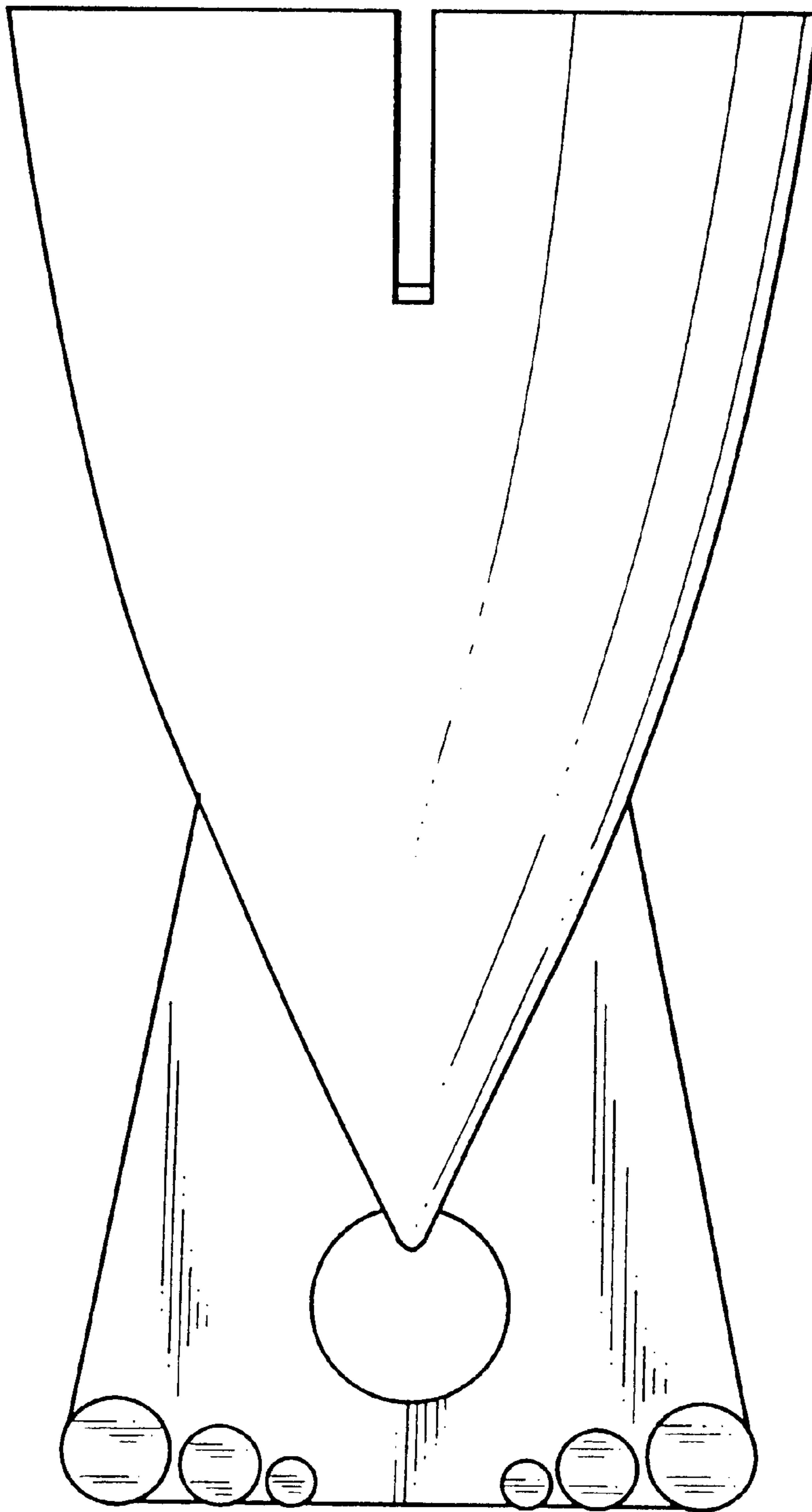


FIG. 5

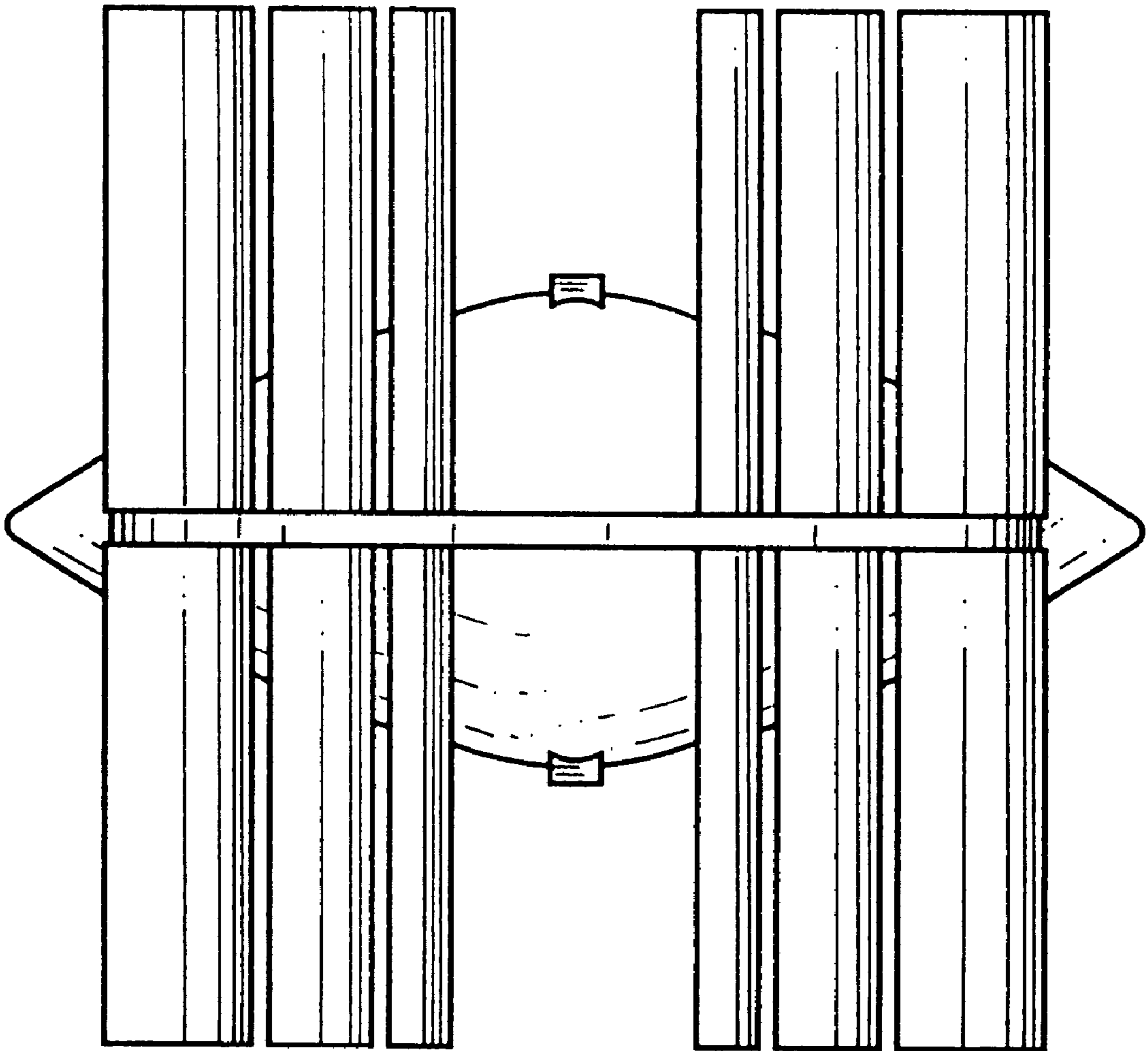


FIG. 6

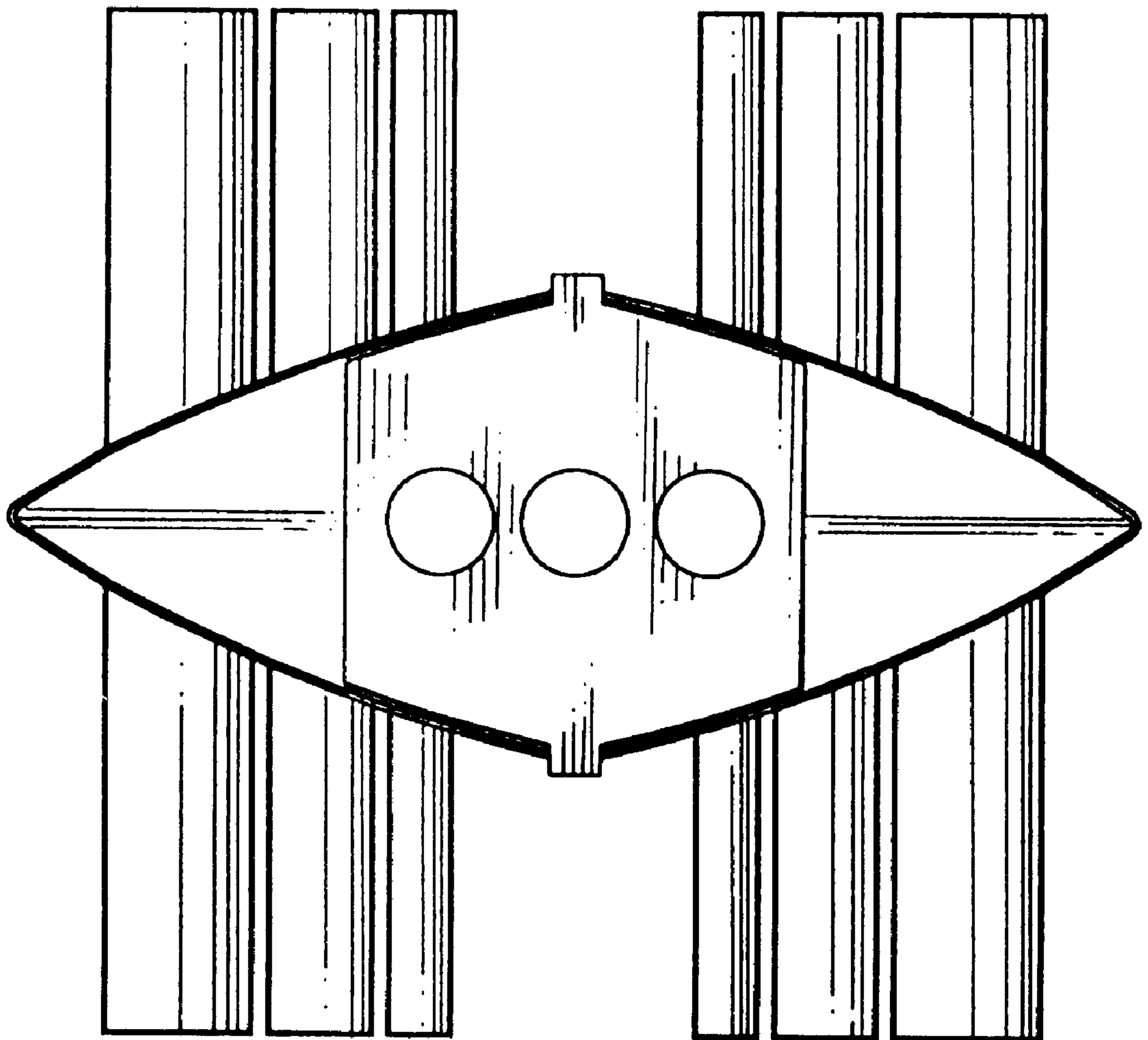


FIG. 7