



US00D416514S

United States Patent [19]

[11] **Patent Number: Des. 416,514**

Koo

[45] **Date of Patent: ** Nov. 16, 1999**

[54] **BASE PART FOR ARTIFICIAL FLOWERS OR FOLIAGE**

D. 249,879	10/1978	Willinger	D11/146
2,836,933	6/1958	Klein	428/23
3,011,280	12/1961	Keidd	428/23
3,682,753	8/1972	Willinger	428/23
5,683,762	11/1997	Banschick	428/23

[75] Inventor: **Yue Sin George Koo**, Kowloon, The Hong Kong Special Administrative Region of the People's Republic of China

Primary Examiner—Dominic Simone
Attorney, Agent, or Firm—Cohen, Pontani, Lieberman & Pavane

[73] Assignee: **United Chinese Plastics Products Co., Ltd.**, Kowloon, The Hong Kong Special Administrative Region of the People's Republic of China

[57] **CLAIM**

[**] Term: **14 Years**

The ornamental design for base part for artificial flowers or foliage, as shown.

[21] Appl. No.: **29/090,582**

DESCRIPTION

[22] Filed: **Jul. 10, 1998**

FIG. 1 is a perspective view of a base part for artificial flowers or foliage showing my new design; FIG. 2 is a front elevational view thereof; FIG. 3 is a right side elevational view thereof; FIG. 4 is a top plan view thereof; FIG. 5 is a rear elevational view thereof; FIG. 6 is a left side elevational view thereof; FIG. 7 is a bottom plan view thereof; FIG. 8 is a reduced perspective view thereof, the artificial flowers or foliage shown in broken lines for illustrative purposes only and form no part of the claimed design.

[51] **LOC (6) Cl.** **11-02**

[52] **U.S. Cl.** **D11/130; D11/164**

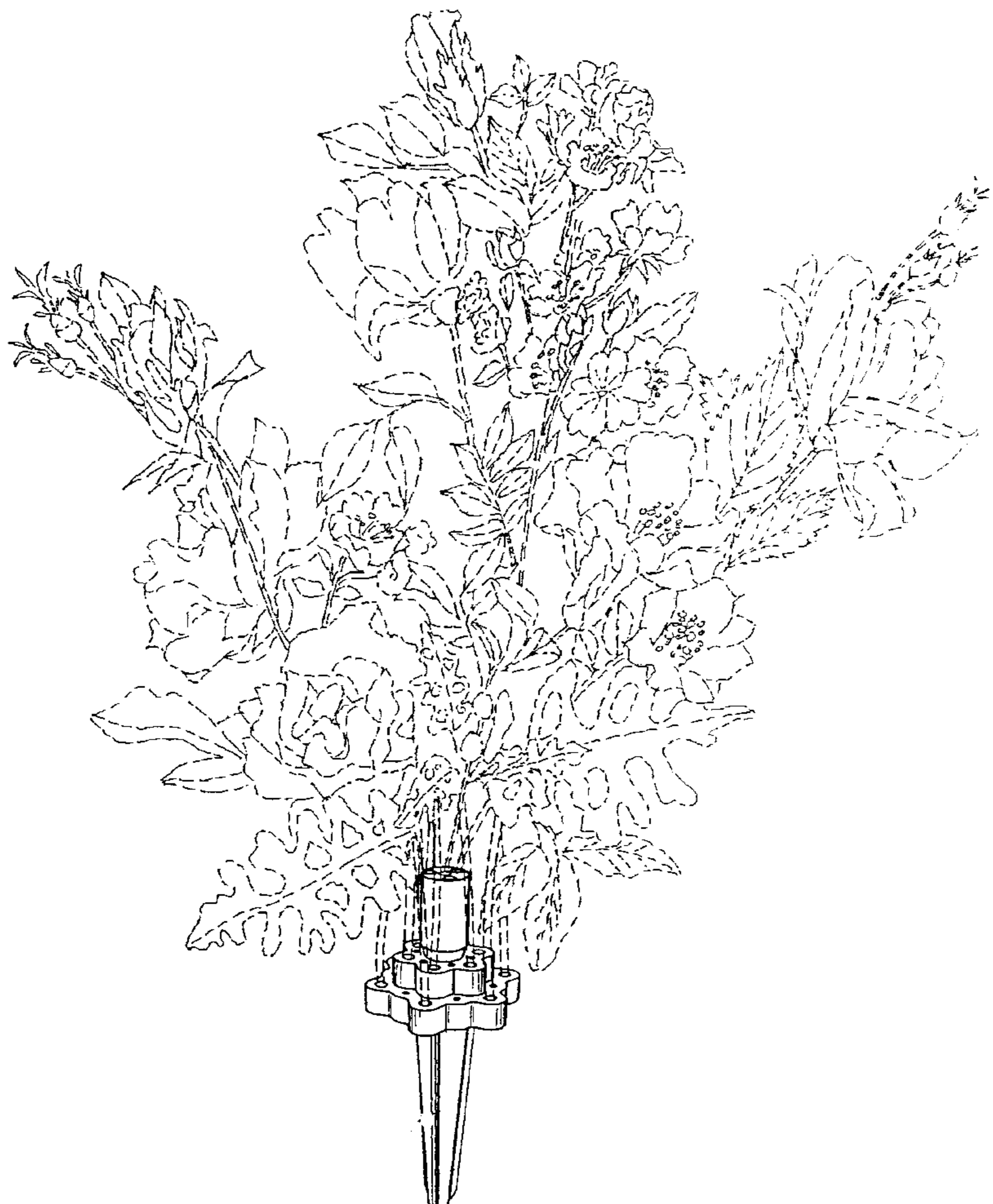
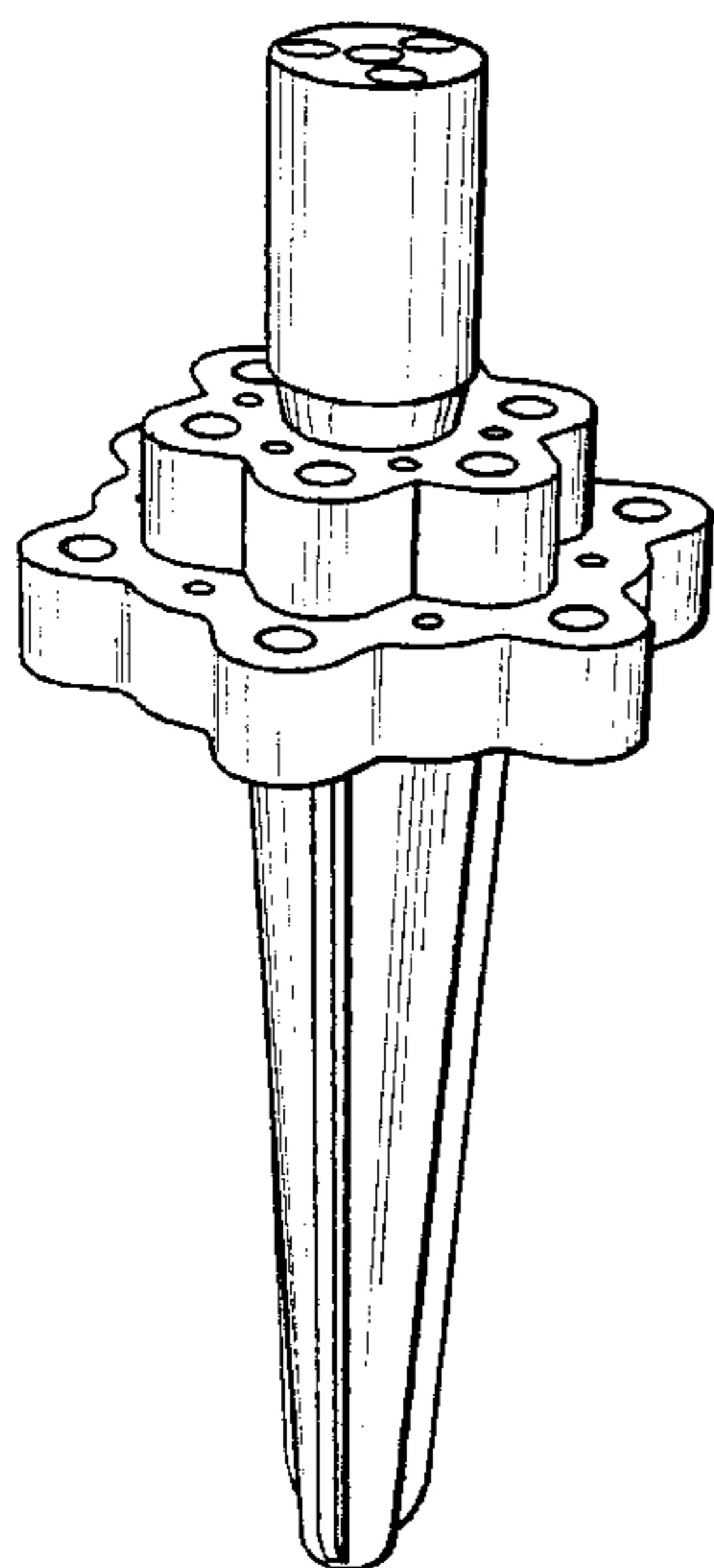
[58] **Field of Search** D11/117, 146, D11/164, 130; 428/15, 17, 23

[56] **References Cited**

U.S. PATENT DOCUMENTS

165,456	7/1875	Van Stone	D11/146 X
D. 233,532	11/1974	Mitchell	D11/164

1 Claim, 4 Drawing Sheets



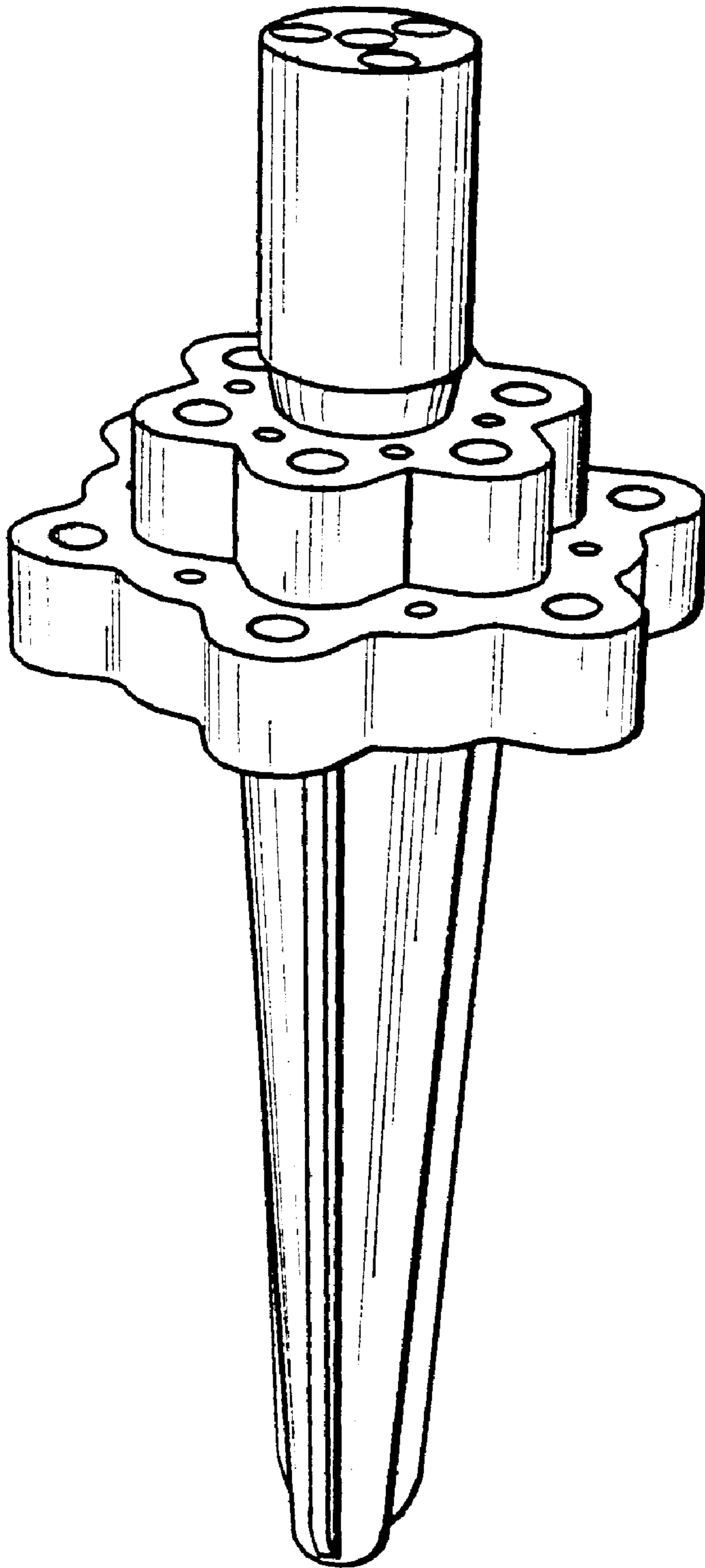


FIG. 1

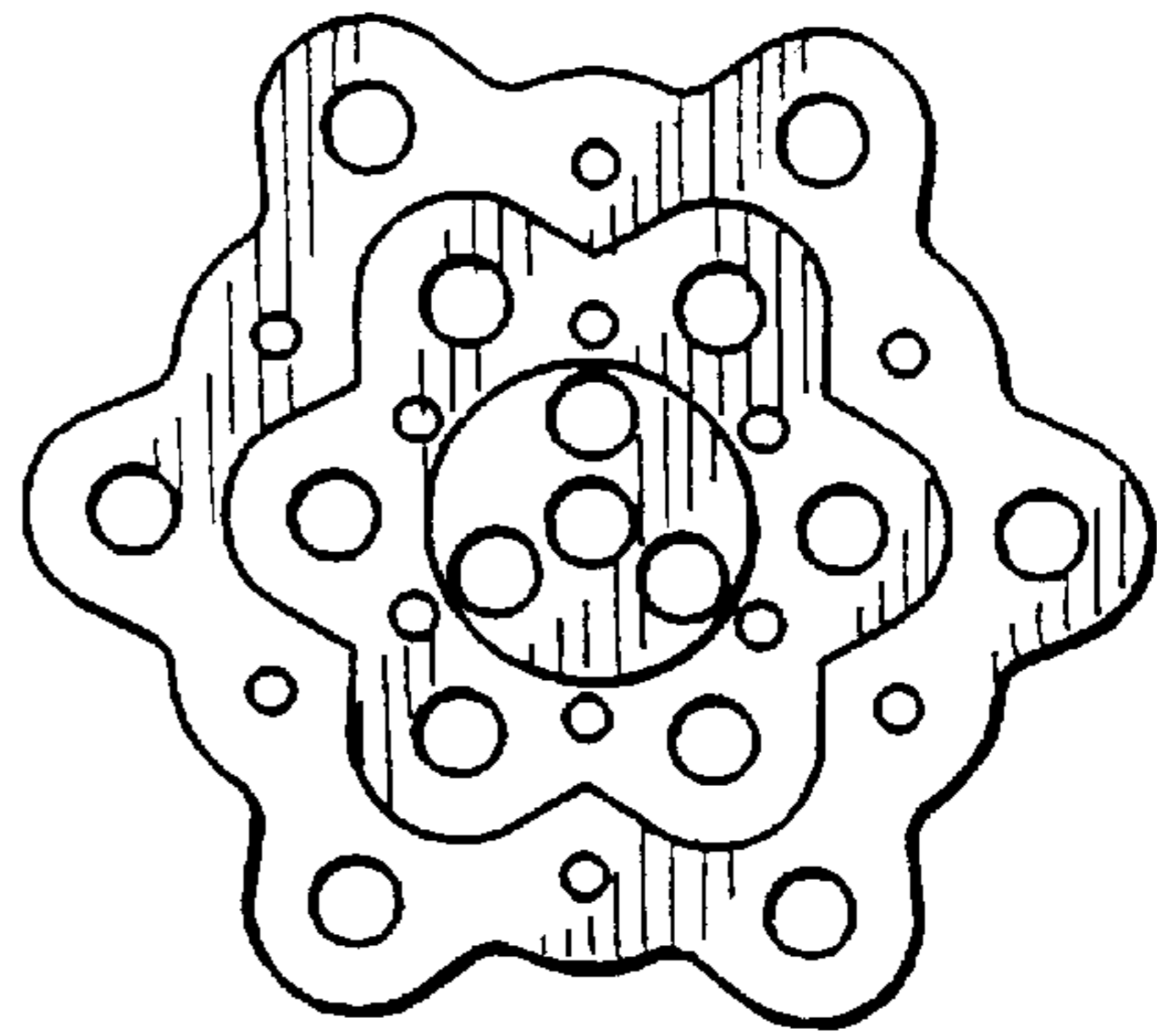


FIG. 4

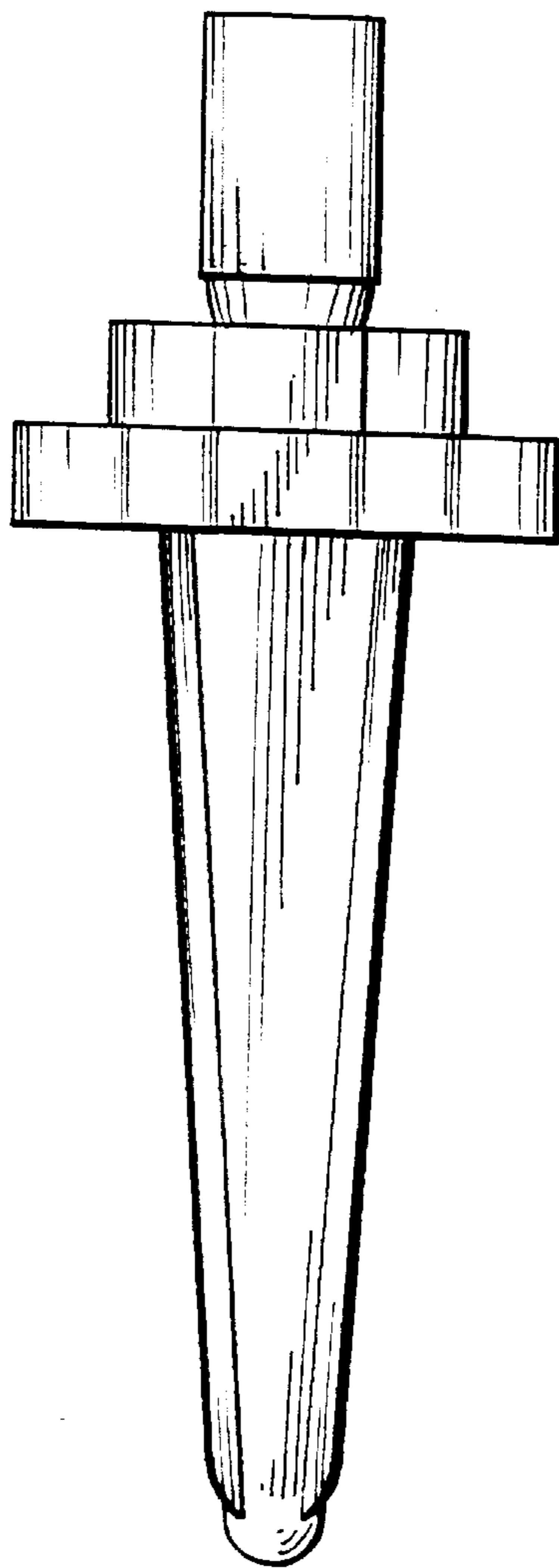


FIG. 2

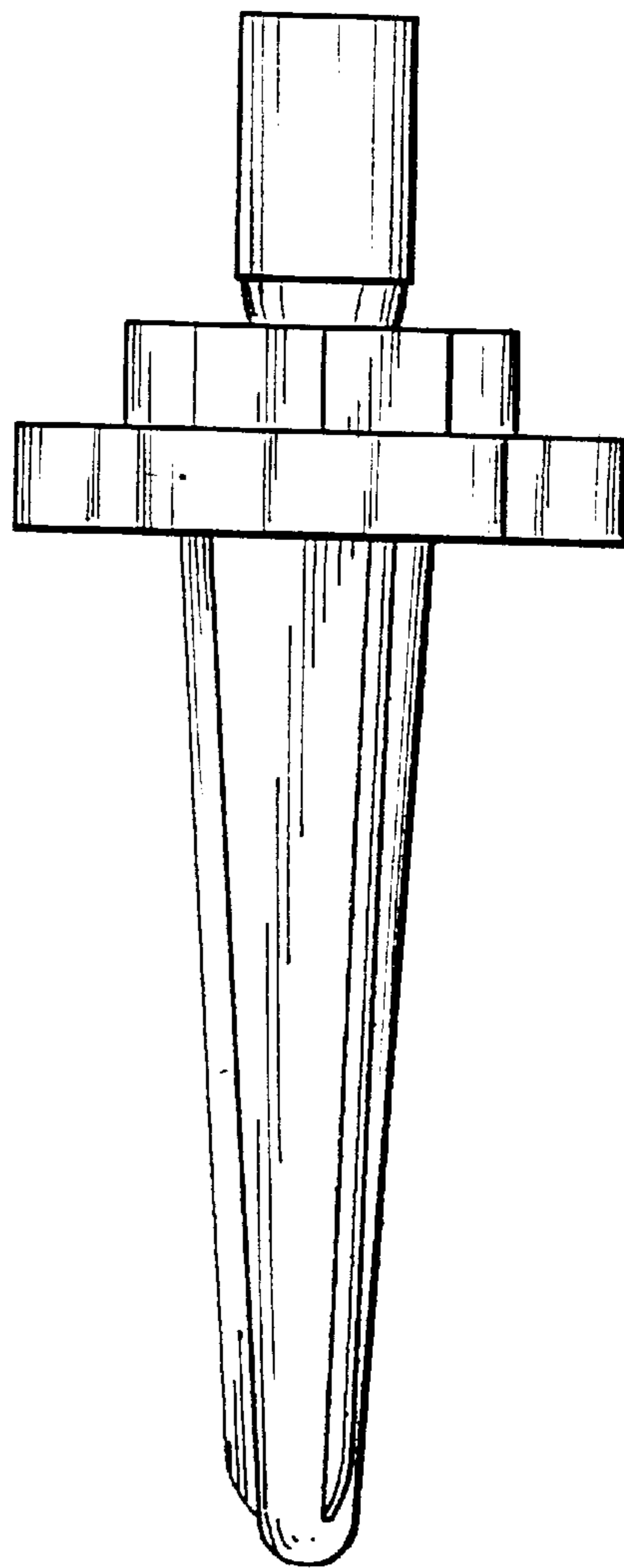


FIG. 3

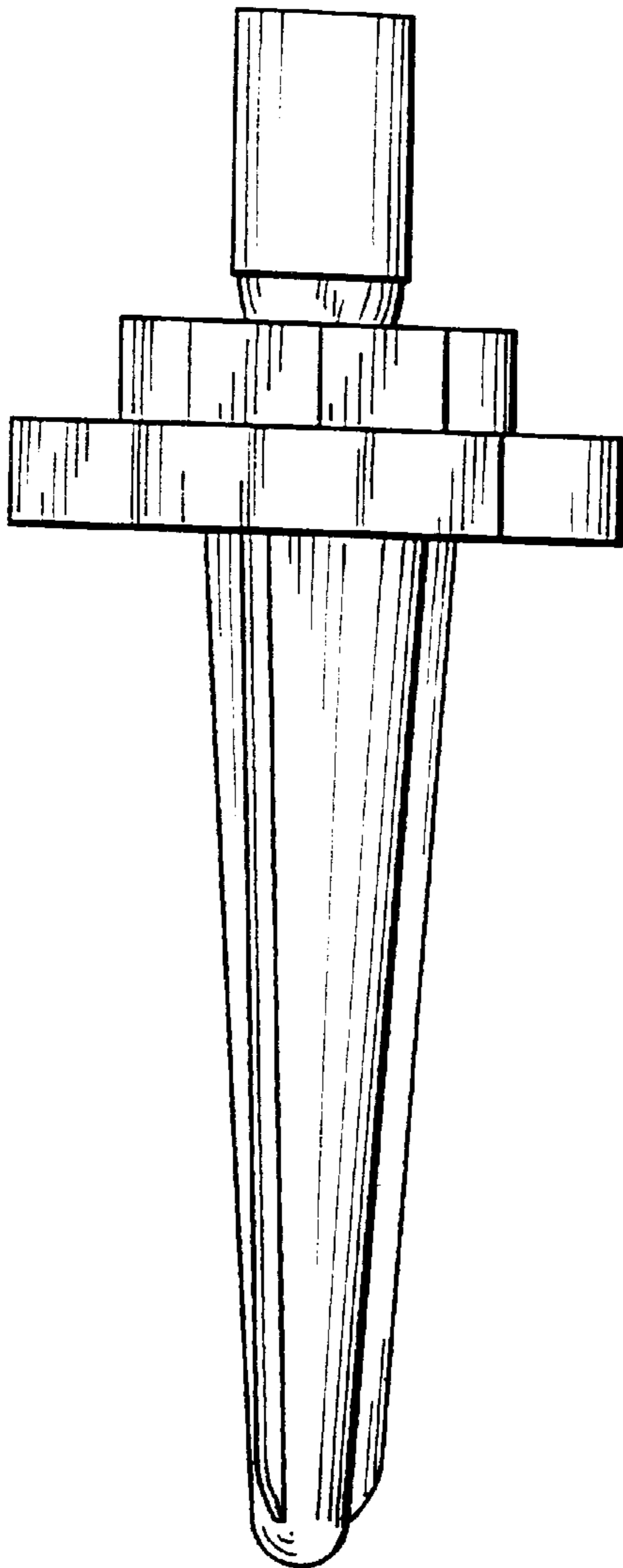


FIG. 6

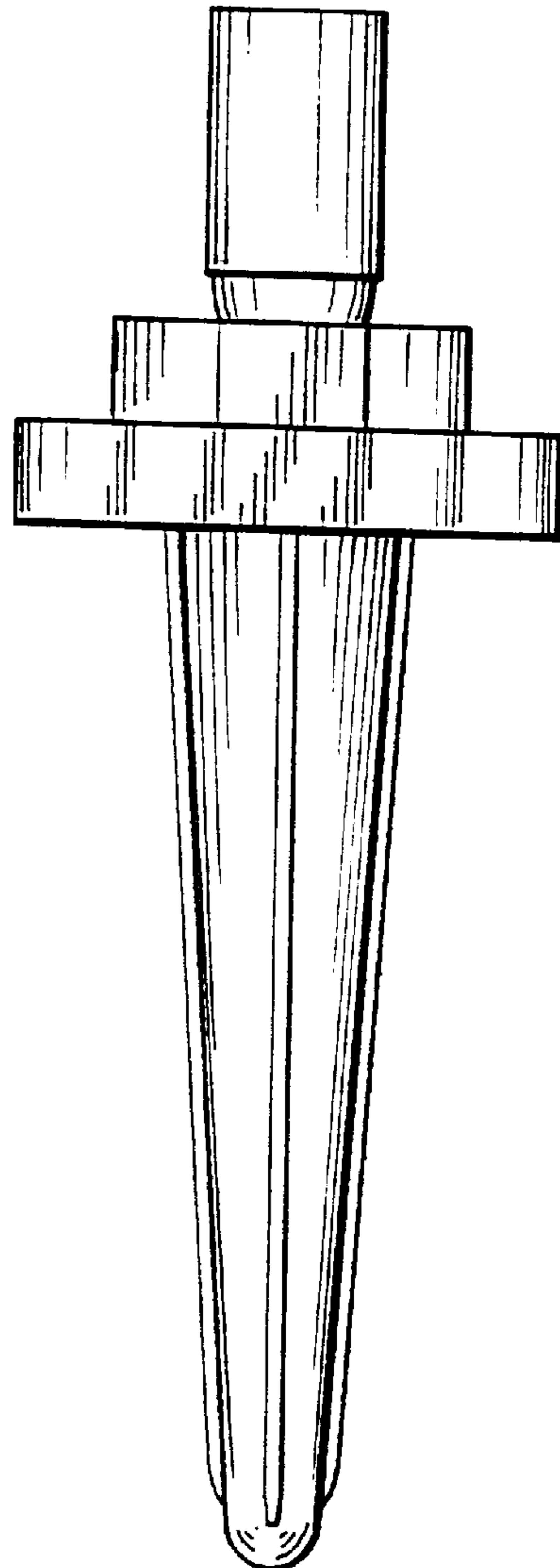


FIG. 5

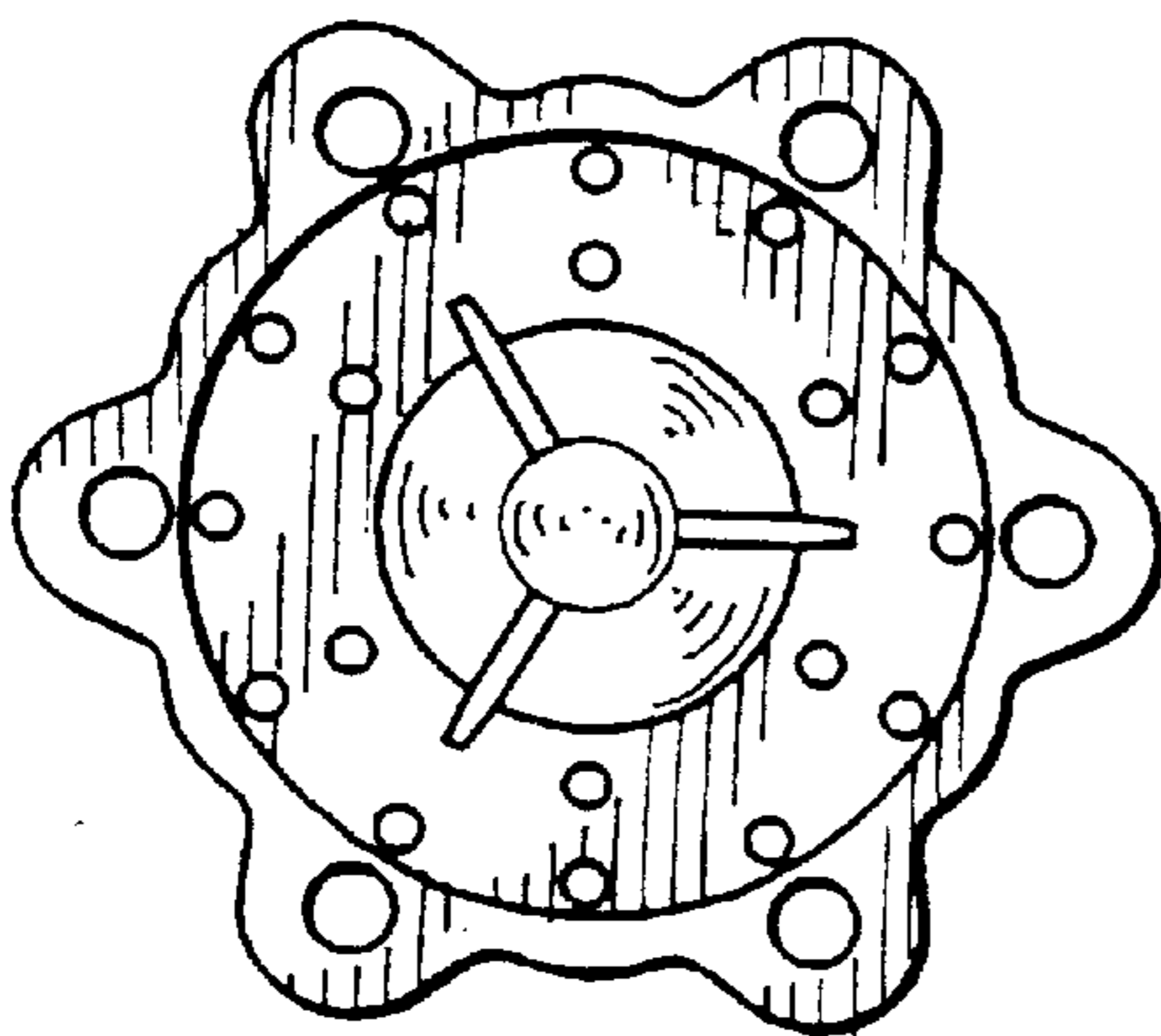


FIG. 7

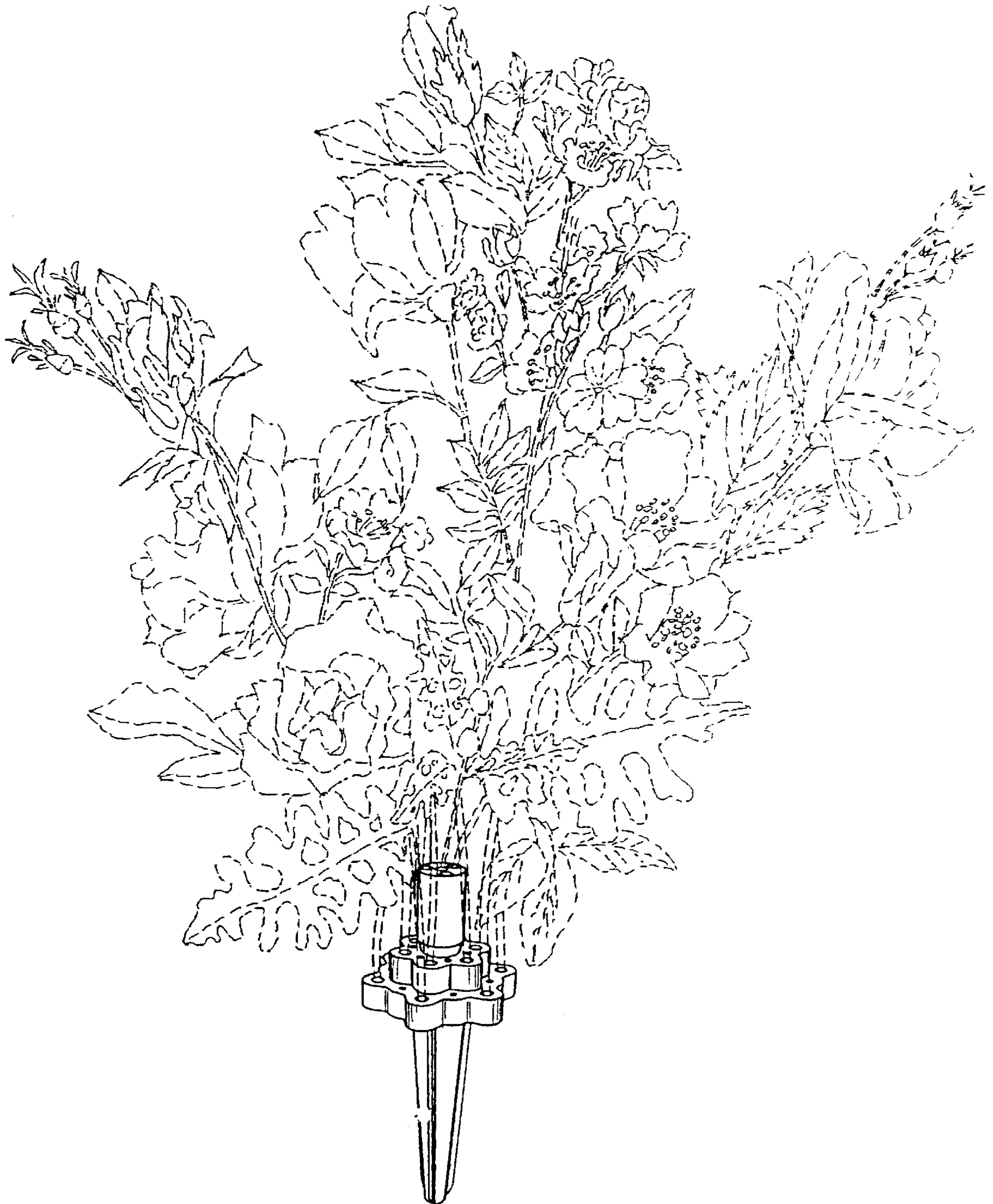


FIG. 8