



US00D416497S

# United States Patent [19] Zwicky

[11] Patent Number: **Des. 416,497**

[45] Date of Patent: **\*\* Nov. 16, 1999**

[54] **WRISTWATCH WITH CROSS MOTIF**

[75] Inventor: **Paul J. Zwicky**, Gossau, Switzerland

[73] Assignee: **Arise Watch AG**, Uster, Switzerland

[\*\*] Term: **14 Years**

[21] Appl. No.: **29/103,026**

[22] Filed: **Apr. 7, 1999**

[51] **LOC (6) Cl.** ..... **10-02**

[52] **U.S. Cl.** ..... **D10/30**

[58] **Field of Search** ..... D10/1-40, 122-132;  
368/280-282, 276-277, 285

|            |         |                    |       |         |
|------------|---------|--------------------|-------|---------|
| D. 192,093 | 1/1962  | Schneider          | ..... | D10/33  |
| D. 320,750 | 10/1991 | Kawashima          | ..... | D10/39  |
| D. 380,698 | 7/1997  | Paredes            | ..... | D10/128 |
| D. 384,295 | 9/1997  | Riley              | ..... | D10/30  |
| D. 390,475 | 2/1998  | Campilan           | ..... | D10/30  |
| 5,158,219  | 10/1992 | Baumgartner et al. | ..... | 224/164 |

*Primary Examiner*—Nelson C. Holtje  
*Attorney, Agent, or Firm*—Nath & Associates; Gary M. Nath; Harold L. Novick

[57] **CLAIM**

The ornamental design for a wristwatch with cross motif, as shown and described.

**DESCRIPTION**

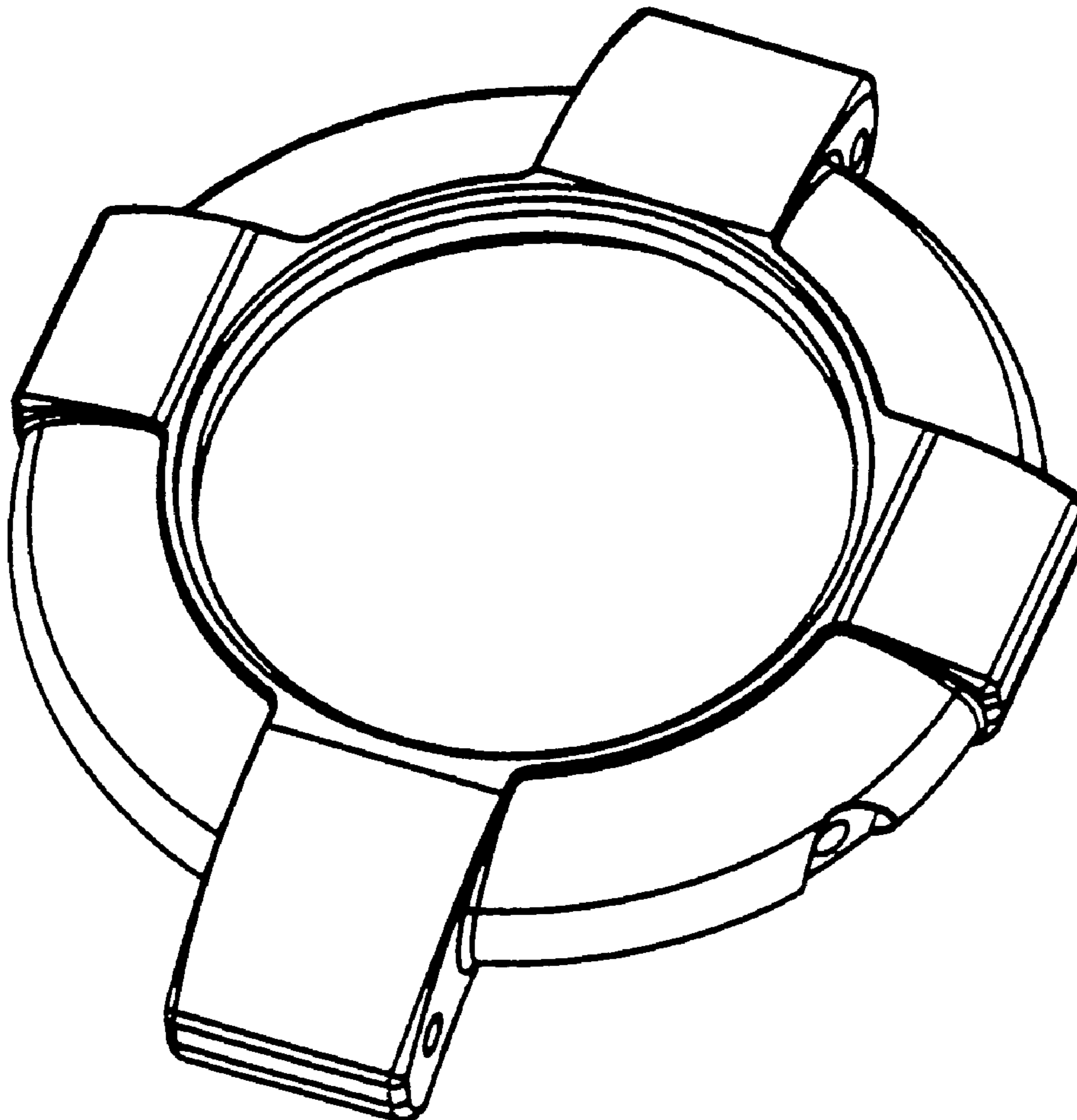
FIG. 1 is a top view of the wristwatch;  
FIG. 2 is a bottom view of the wristwatch;  
FIG. 3 is a right side view of the wristwatch;  
FIG. 4 is a left side view of the wristwatch;  
FIG. 5 is a front view of the wristwatch; and,  
FIG. 6 is a back view of the wristwatch.

[56] **References Cited**

**U.S. PATENT DOCUMENTS**

|            |        |                    |        |
|------------|--------|--------------------|--------|
| D. 52,316  | 8/1918 | Glasman .          |        |
| D. 53,025  | 2/1919 | Weiner et al. .... | D10/33 |
| D. 105,470 | 8/1937 | Belove .....       | D10/33 |
| D. 140,278 | 2/1945 | Moses .            |        |
| D. 163,863 | 7/1951 | Geoffrion .....    | D10/30 |

**1 Claim, 6 Drawing Sheets**



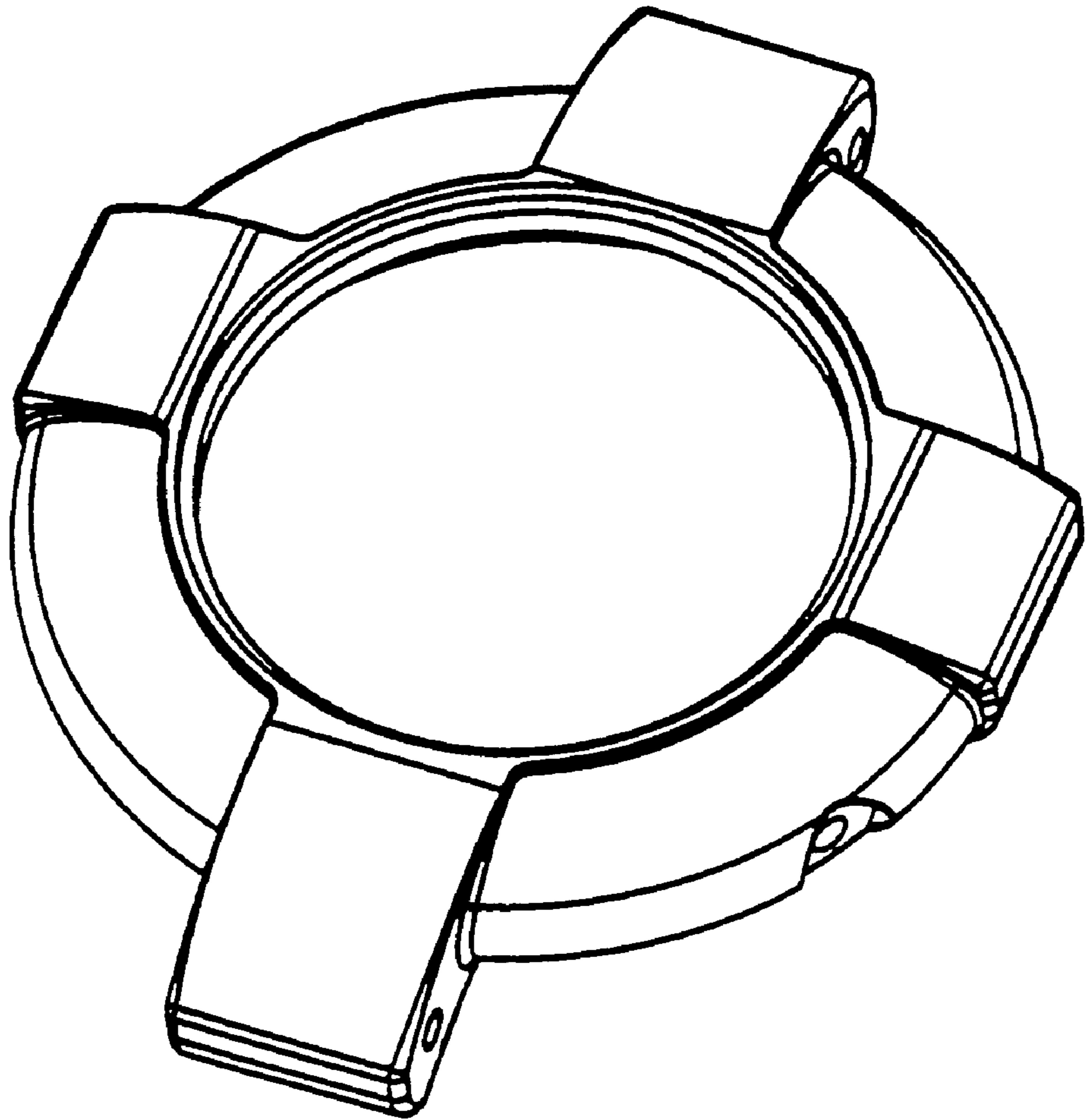


Fig. 1

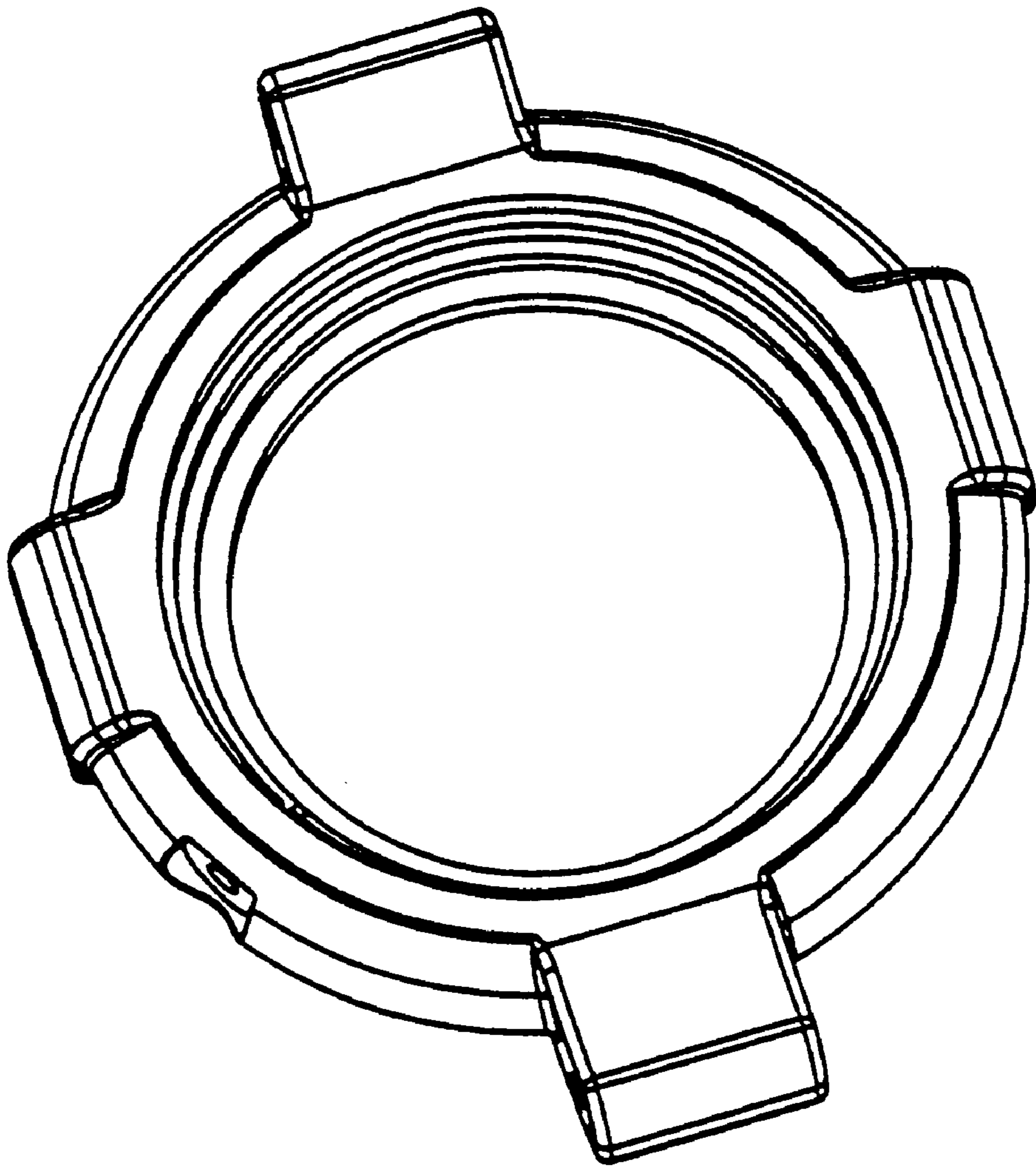


Fig. 2

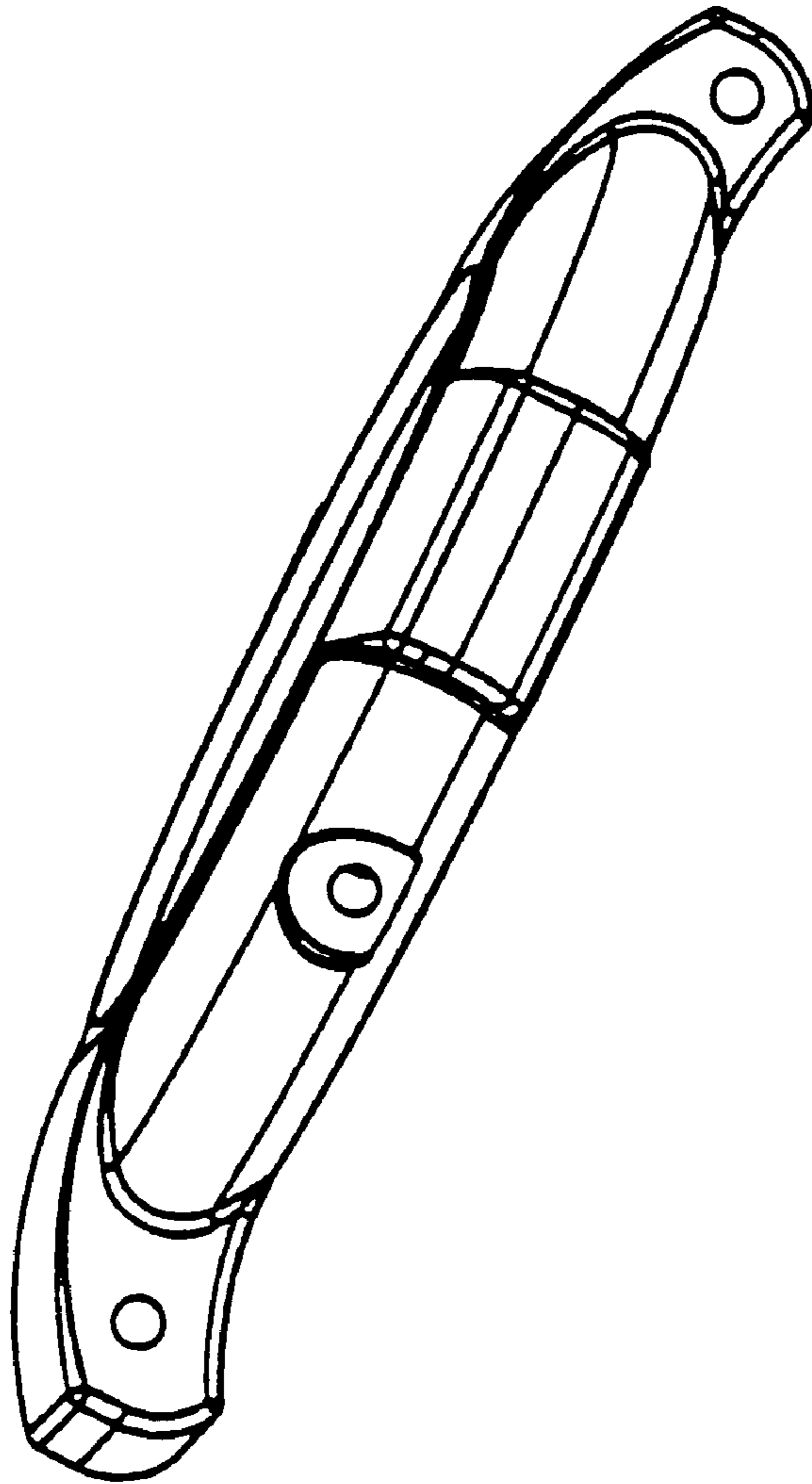


Fig. 3

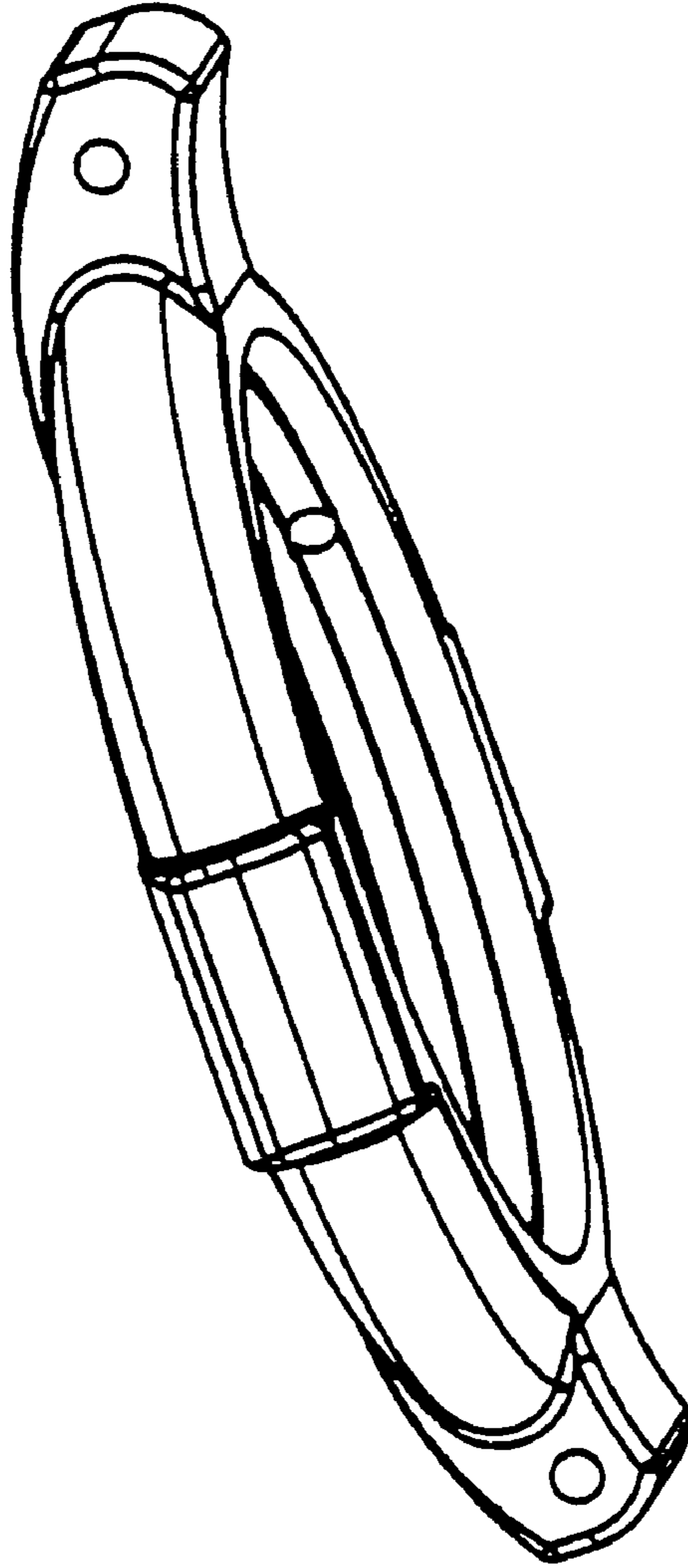


Fig. 4

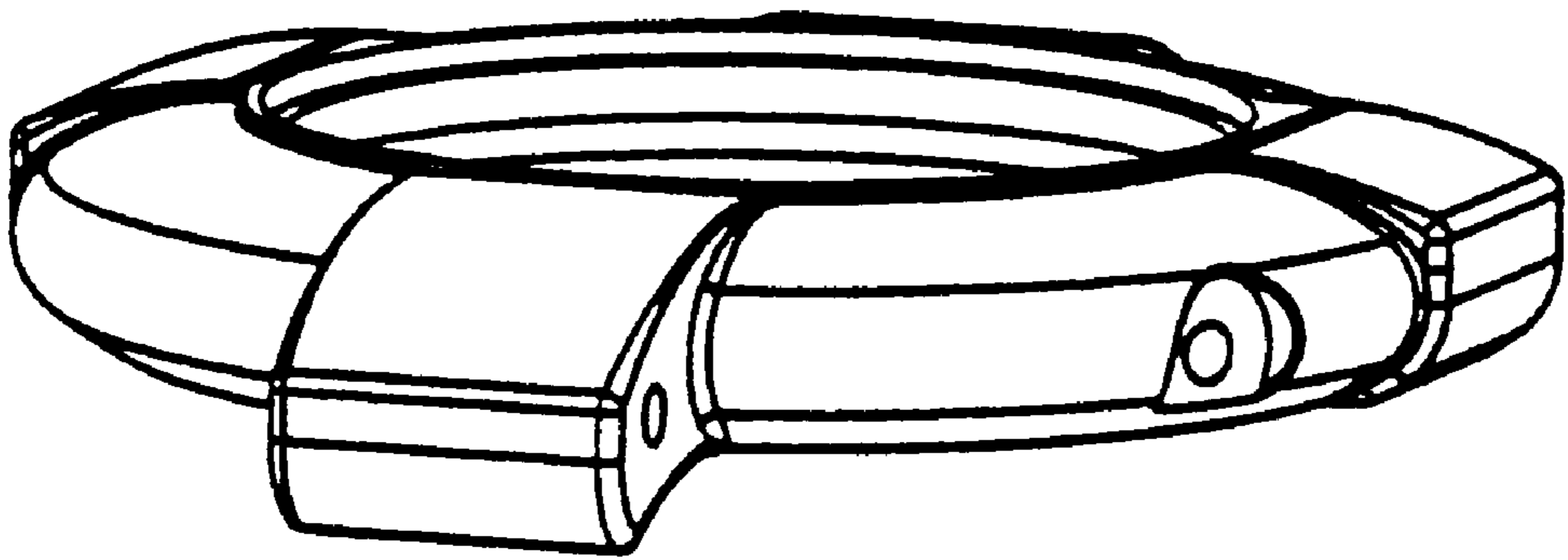


Fig. 5

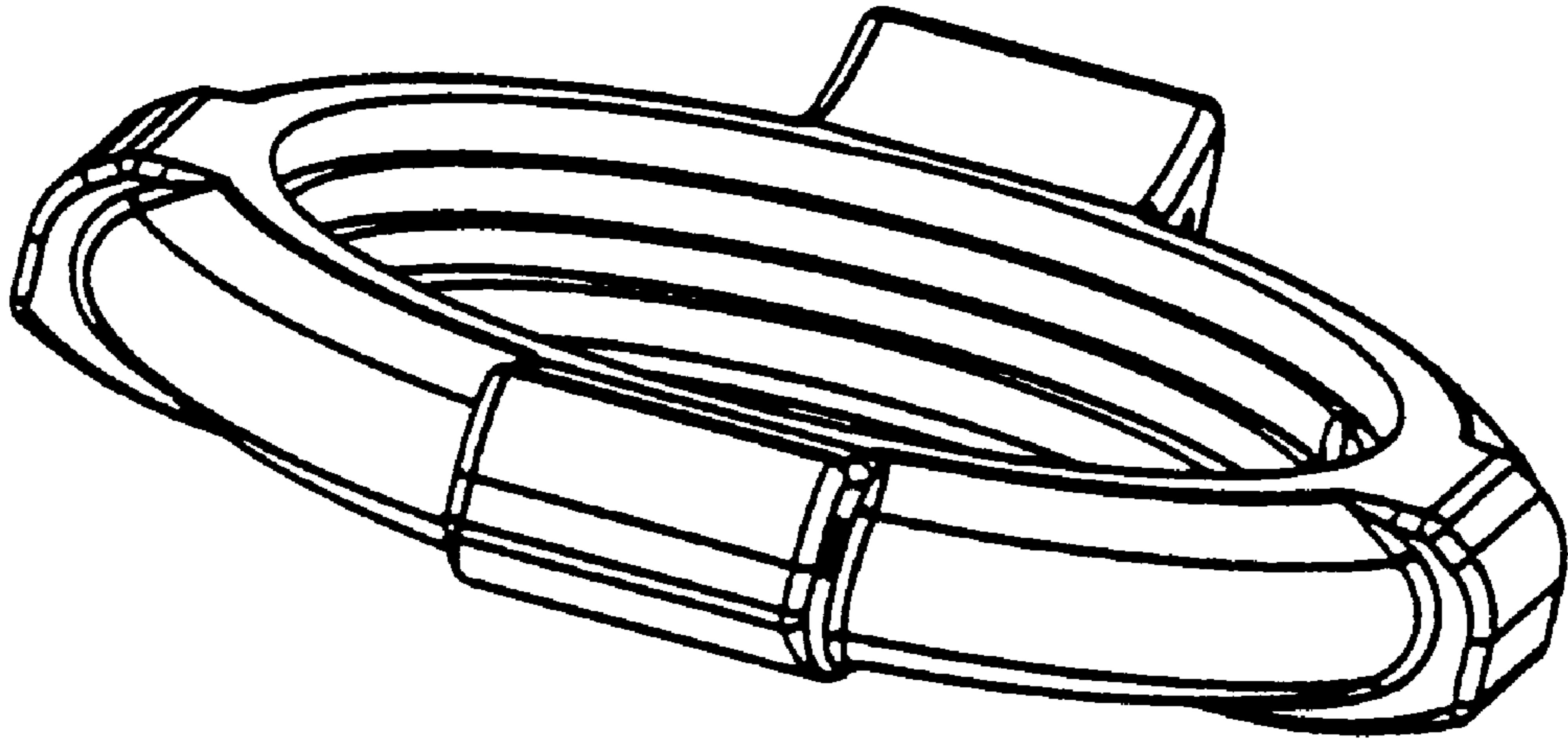


Fig. 6