



US00D416494S

United States Patent [19] Pitteloud

[11] **Patent Number: Des. 416,494**

[45] **Date of Patent: ** Nov. 16, 1999**

[54] **WATCH-CASE**

[76] **Inventor: Michel Pitteloud**, 488, Route des Monts, 1602 La Croix, Switzerland

[**] **Term: 14 Years**

[21] **Appl. No.: 29/091,766**

[22] **Filed: Aug. 6, 1998**

[51] **LOC (6) Cl. 10-02**

[52] **U.S. Cl. D10/30; D10/39**

[58] **Field of Search D10/1-40, 122-132; 368/280-282, 276-277, 285**

[56] **References Cited**

U.S. PATENT DOCUMENTS

- D. 321,834 11/1991 Saint-Dizier D10/39
- D. 322,763 12/1991 Saint-Dizier D10/39
- D. 327,023 6/1992 Saint-Dizier D10/39

- D. 332,054 12/1992 Pitteloud D10/32
- D. 348,847 7/1994 Dumas D10/39
- D. 356,041 3/1995 Bulgari D10/39

Primary Examiner—Nelson C. Holtje

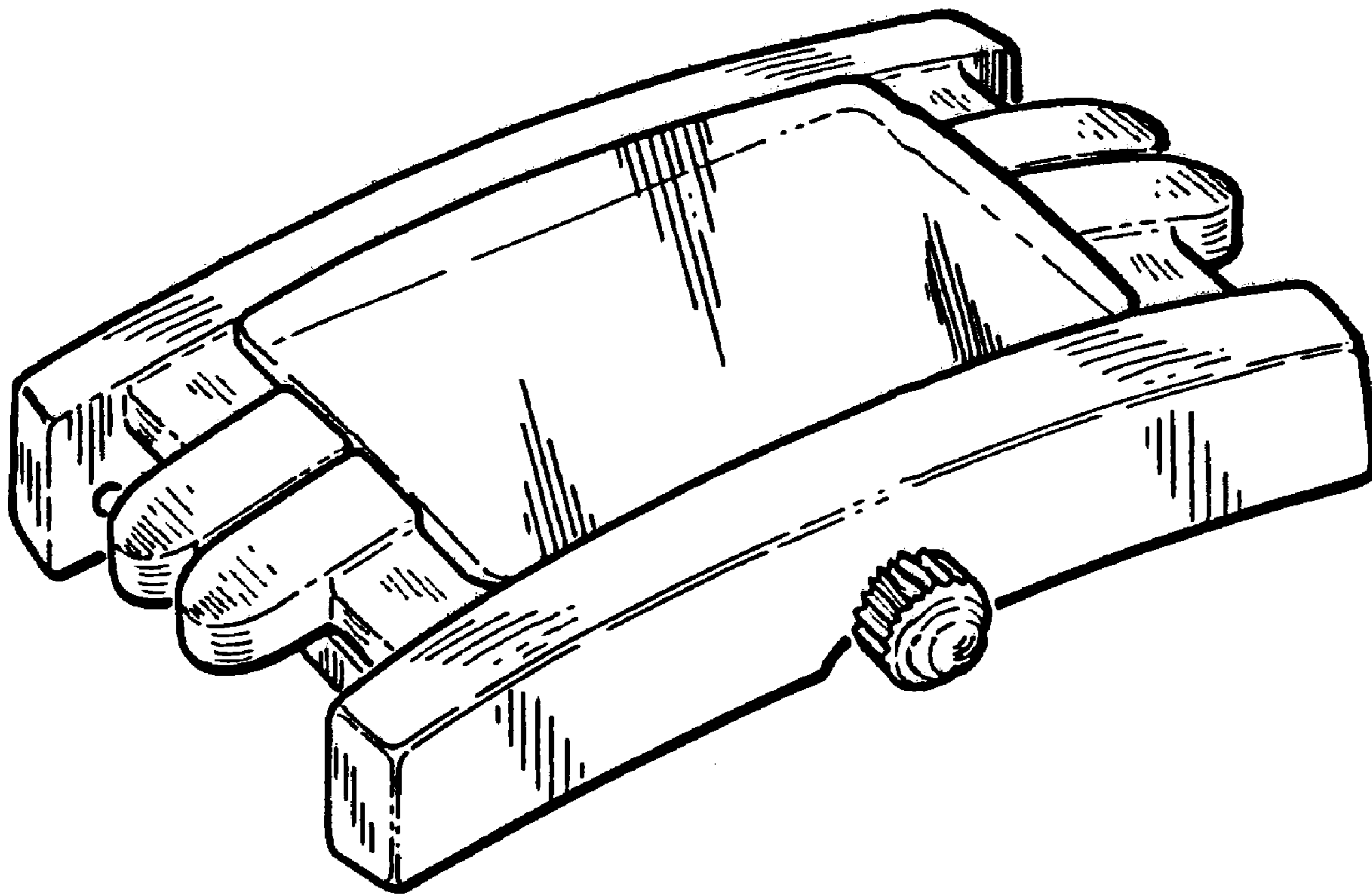
[57] **CLAIM**

The ornamental design for a watch-case, as shown.

DESCRIPTION

FIG. 1 is a perspective view of a watch-case showing my new design.
 FIG. 2 is a front elevational view thereof.
 FIG. 3 is a rear elevational view thereof;
 FIG. 4 is a right side elevational view thereof;
 FIG. 5 is a top plan view thereof;
 FIG. 6 is a left side elevational view thereof; and,
 FIG. 7 is a bottom plan view thereof.

1 Claim, 2 Drawing Sheets



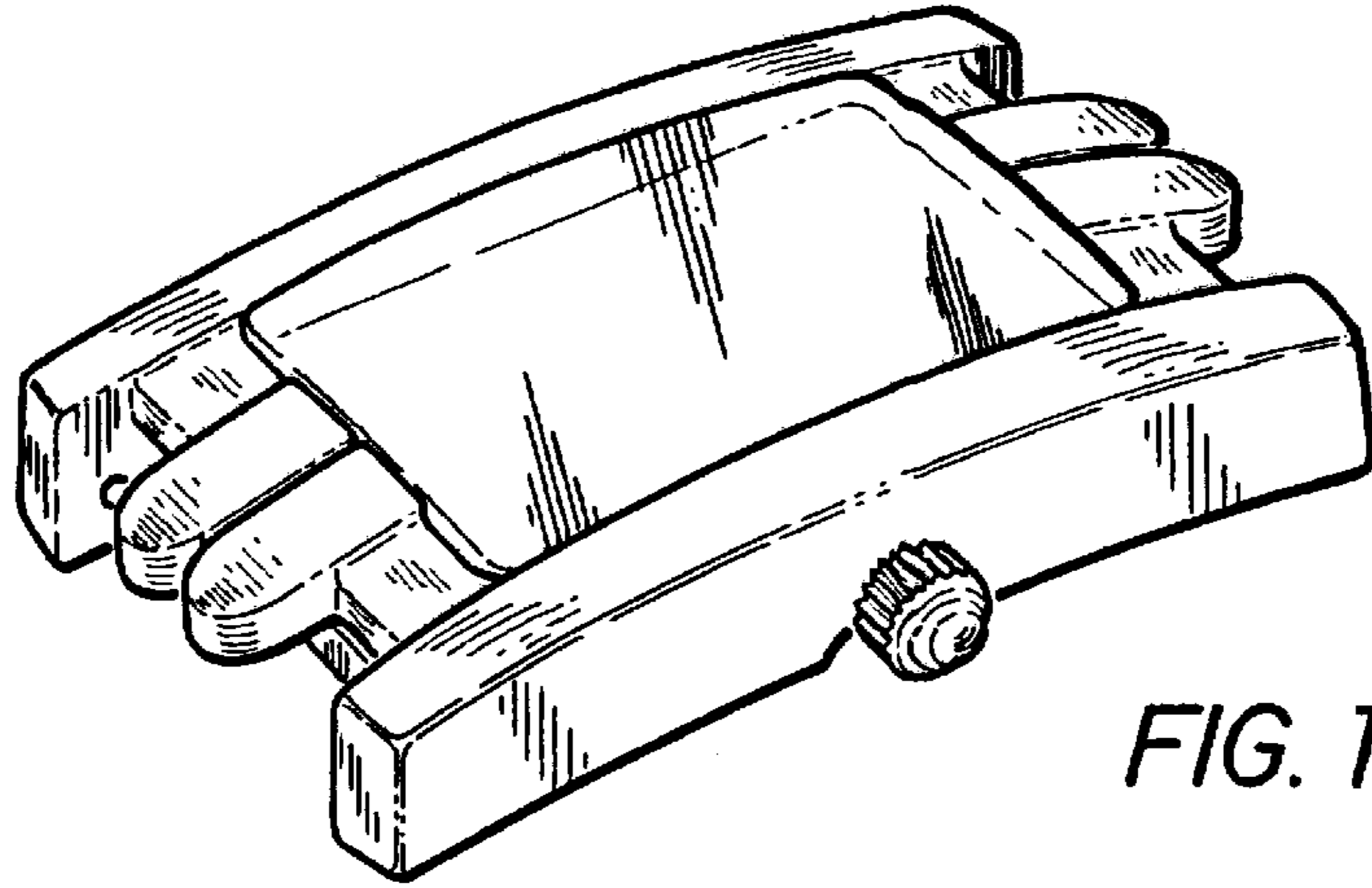


FIG. 1

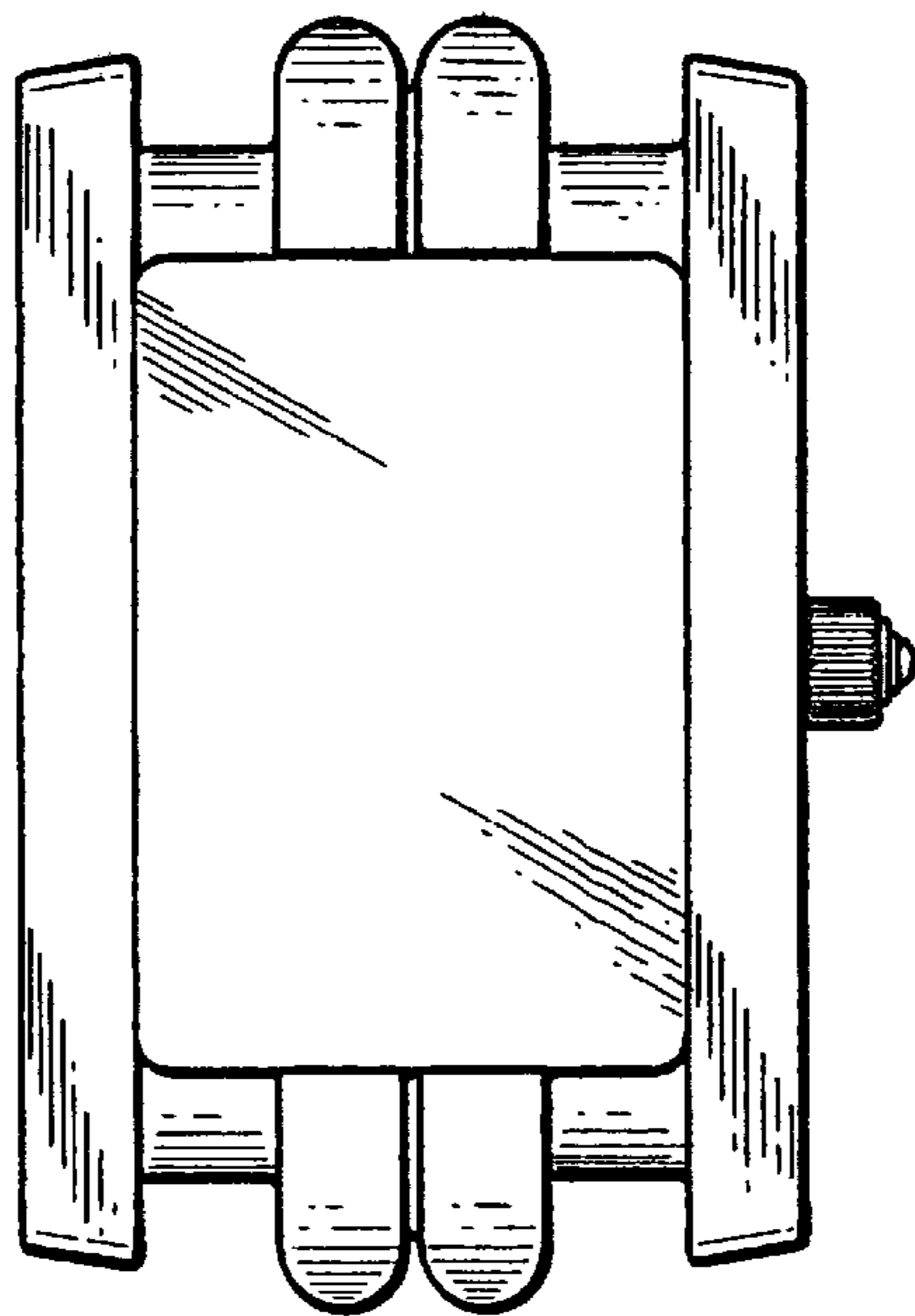


FIG. 2

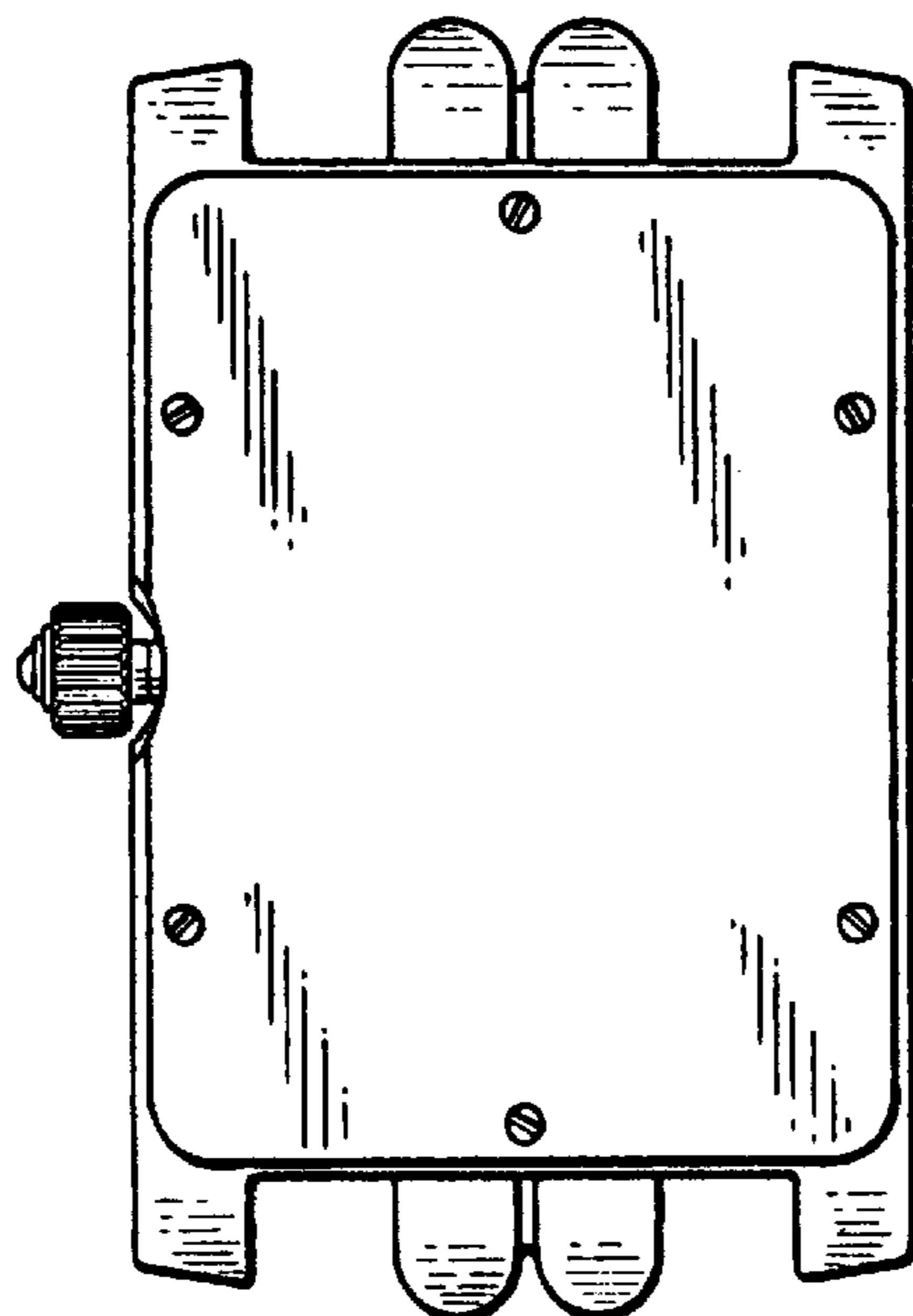


FIG. 3

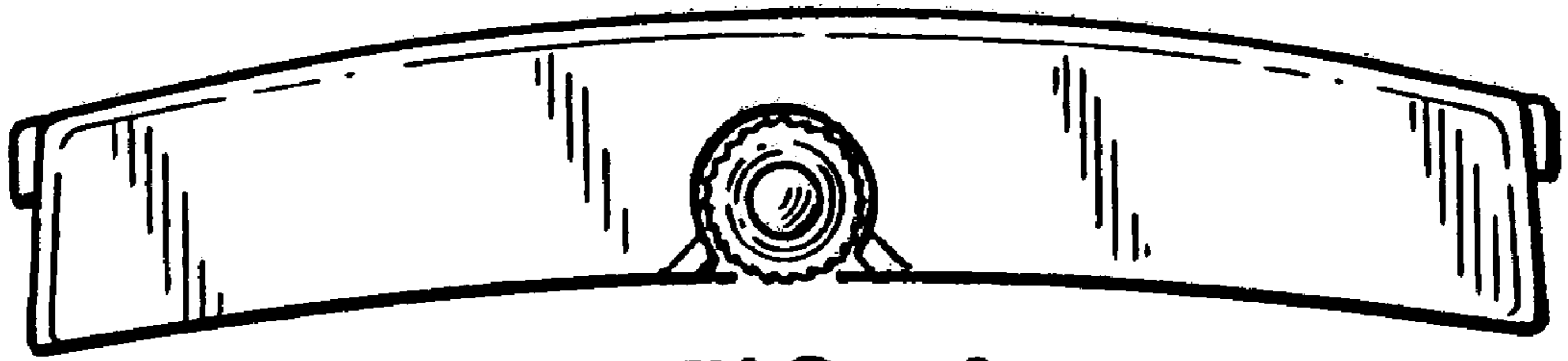


FIG. 4

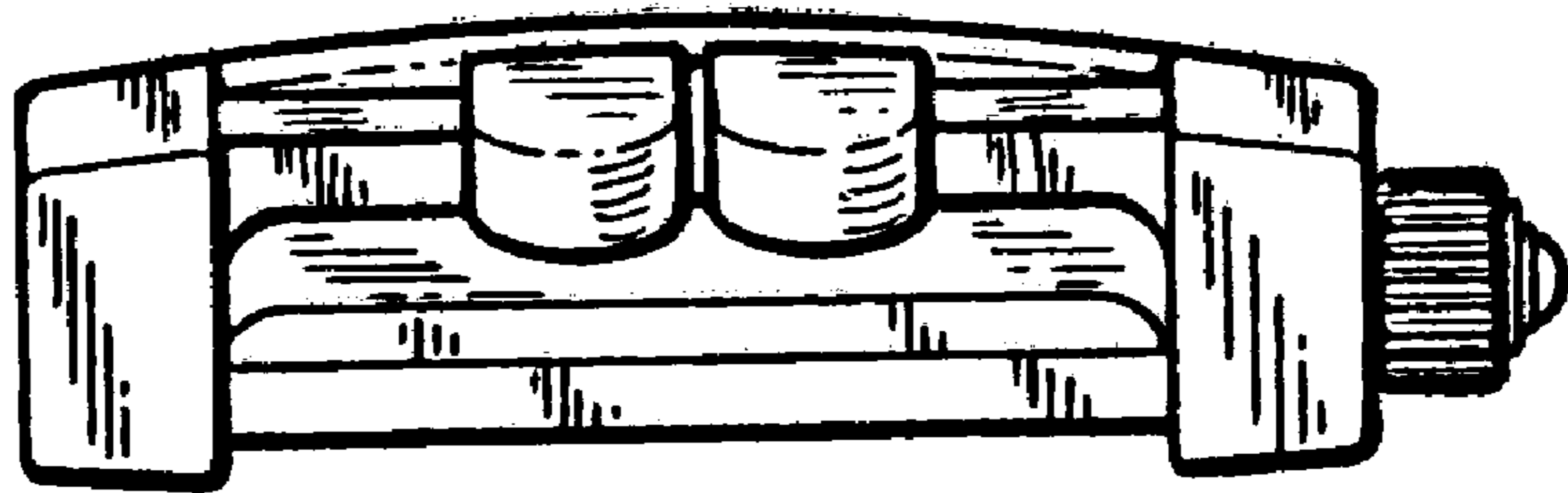


FIG. 5

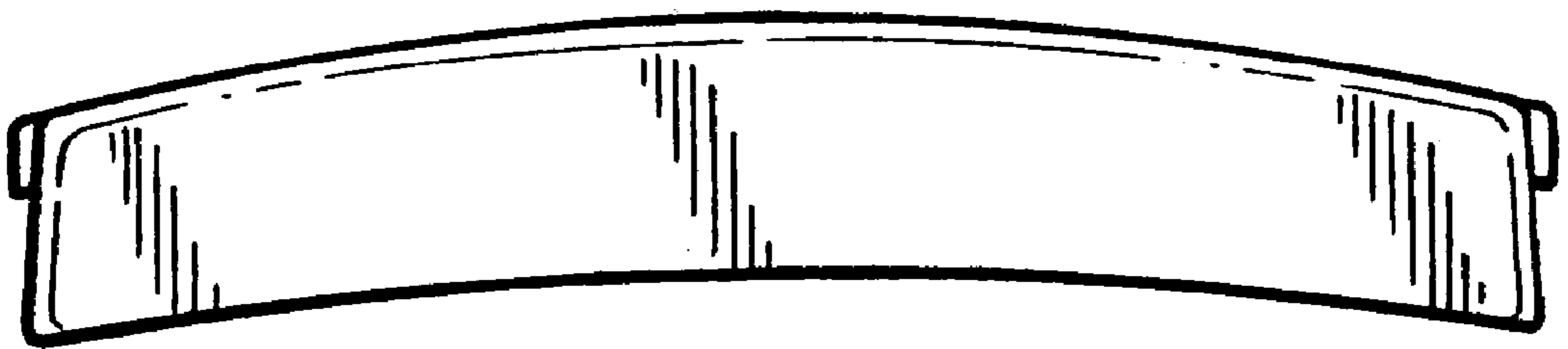


FIG. 6

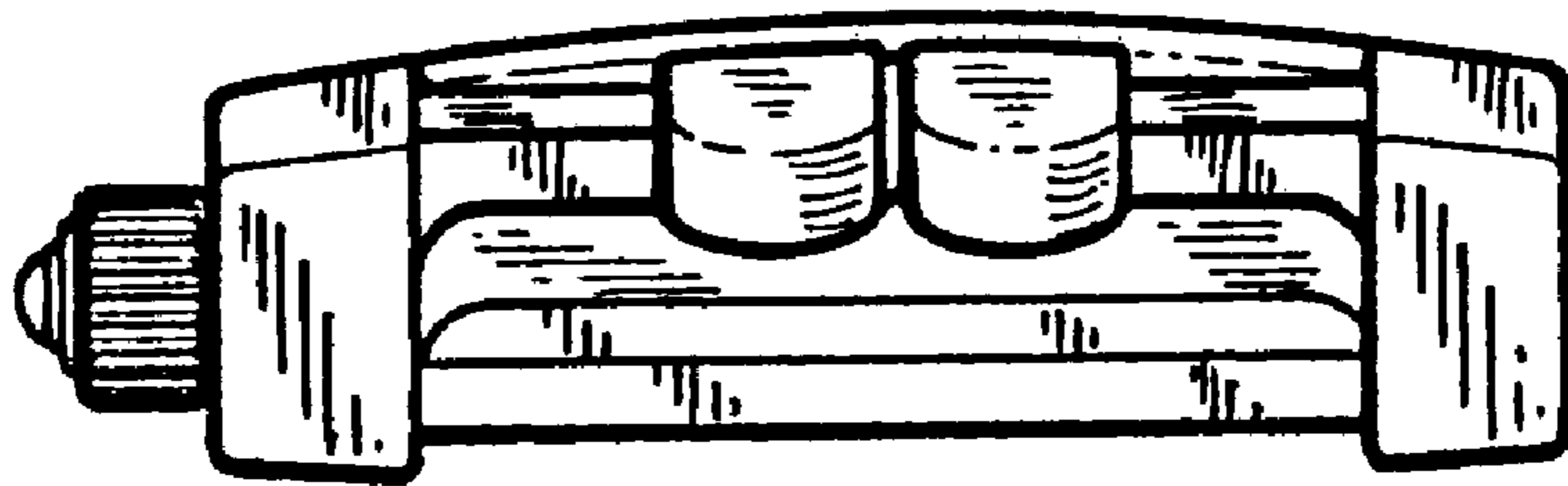


FIG. 7