



US00D416485S

United States Patent [19] Humphrey

[11] Patent Number: **Des. 416,485**

[45] Date of Patent: **** Nov. 16, 1999**

[54] **PACKAGE**

[75] Inventor: **Neill W. Humphrey**, El Dorado Hills, Calif.

[73] Assignee: **Trade Source International**, El Dorado Hills, Calif.

[**] Term: **14 Years**

[21] Appl. No.: **29/092,785**

[22] Filed: **Aug. 27, 1998**

[51] **LOC (6) Cl.** **09-07**

[52] **U.S. Cl.** **D9/418; D9/415**

[58] **Field of Search** D9/415, 418, 337, D9/414, 430; 206/461-471, 495, 806, 769-773, 775-783

4,702,368	10/1987	Jones	206/45.24
4,702,374	10/1987	Kelner	206/418
4,781,289	11/1988	Perkins	206/45.24
4,823,960	4/1989	Perlberg et al.	206/587
4,848,577	7/1989	Hoffman et al.	206/467
4,901,858	2/1990	Anderson	206/461
5,002,187	3/1991	Rysner et al.	206/461
5,064,056	11/1991	Gresh	206/45.19
5,188,222	2/1993	Pierce	206/45.34
5,411,138	5/1995	Klawiter	206/775 X
5,452,802	9/1995	Green	206/466
5,495,937	3/1996	Fraser	206/45.14
5,622,258	4/1997	Baublitz et al.	206/779 X
5,626,226	5/1997	Gardiner et al.	206/349
5,890,593	4/1999	Humphrey	206/471

OTHER PUBLICATIONS

Techform Inc. (Form 206/461 Shoe) Nov. 1982.
Modern Packaging, p. 334 Jan. 1963.

Primary Examiner—Prabhakar Deshmukh
Attorney, Agent, or Firm—Oppenheimer Wolff & Donnelly LLP

[56] References Cited

U.S. PATENT DOCUMENTS

D. 309,262	7/1990	Coiner	D9/418
D. 321,323	11/1991	Nakamura	D9/415
354,679	1/1886	Dunn	D9/415
D. 394,384	5/1998	Humphrey	D9/418
D. 398,226	9/1998	Lai et al.	D9/418
D. 405,370	2/1999	Humphrey	D9/415 X
1,784,937	12/1930	Kreslawsky	.	
2,873,023	2/1959	Erickson	206/45.34
3,064,402	11/1962	Crane	53/30
3,416,656	12/1968	Addiego	206/78
3,420,361	1/1969	Newberg	206/44.12
4,099,612	7/1978	Hanson	206/45.19
4,307,803	12/1981	Johnson	206/45.19
4,415,084	11/1983	Hauser et al.	206/461
4,531,637	7/1985	Cusmano	206/461
4,669,610	6/1987	Lindsey et al.	206/320

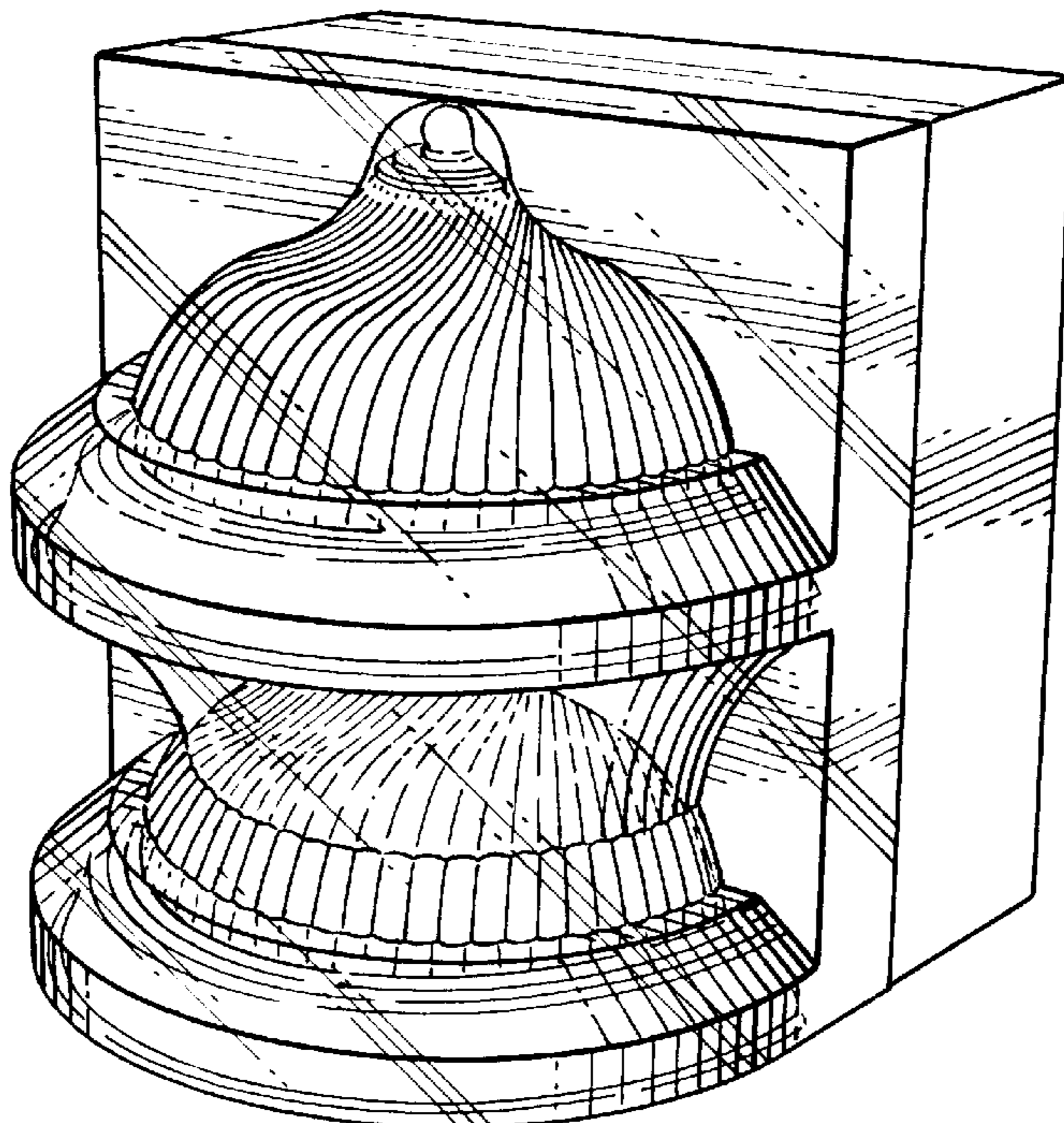
[57] CLAIM

The ornamental design for a package, as shown and described.

DESCRIPTION

FIG. 1 is a front perspective view of a package showing my new design;
FIG. 2 is a front elevational view thereof;
FIG. 3 is a top plan view thereof; and
FIG. 4 is a right side elevational view thereof; the left side elevational view being a mirror image thereof.
The bottom is plain and unornamented.

1 Claim, 2 Drawing Sheets



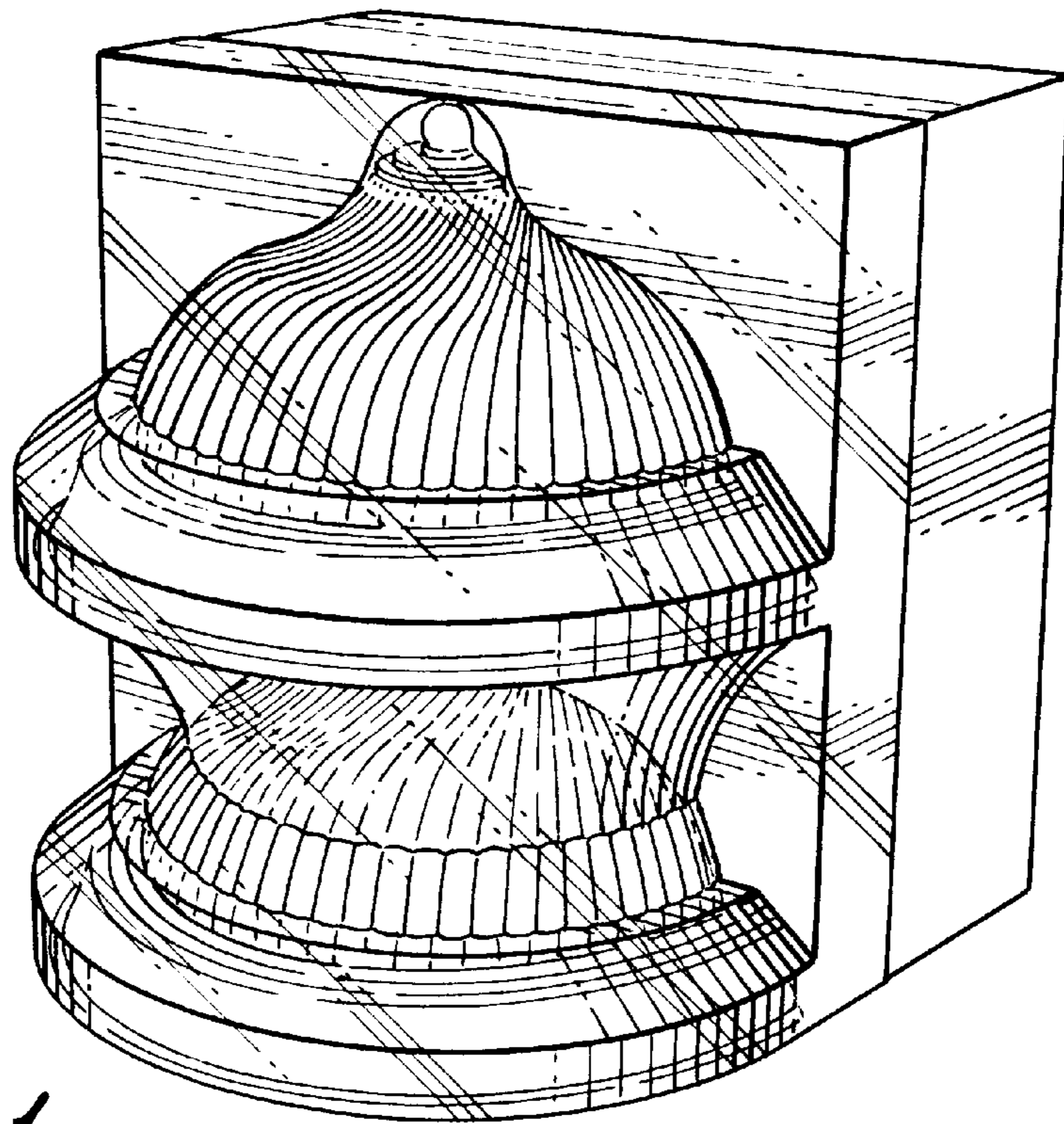


FIG. 1.

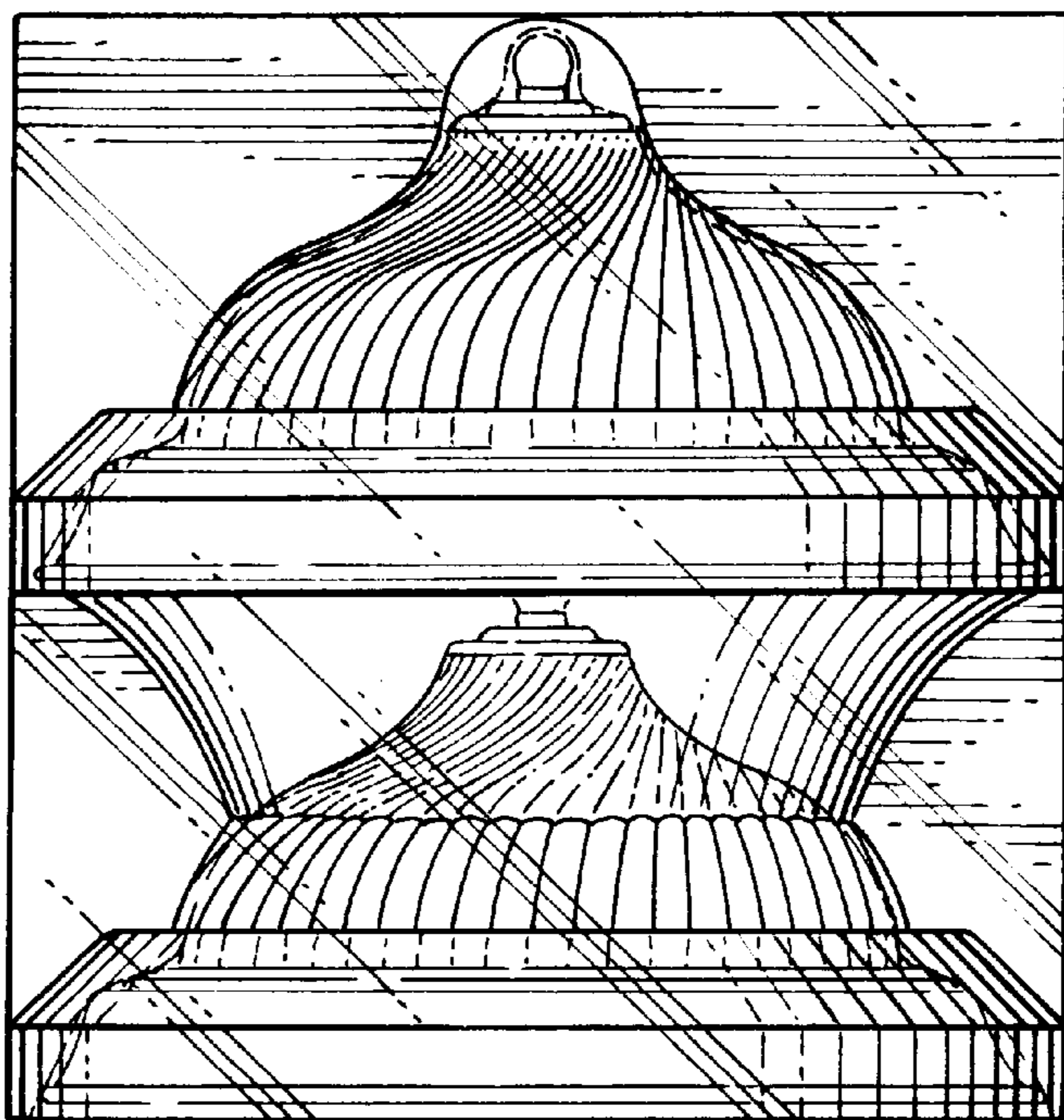


FIG. 2.

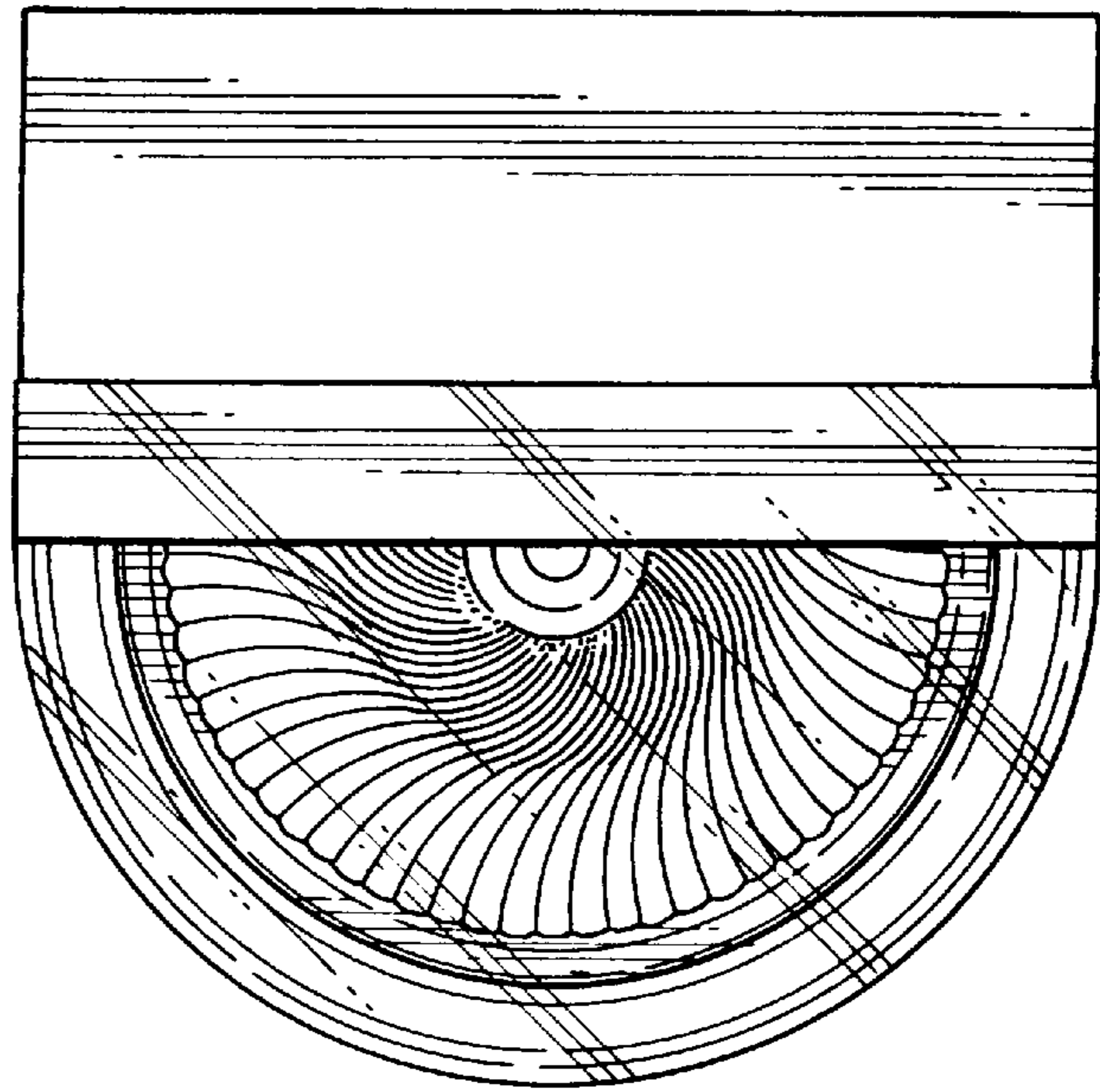


FIG. 3.

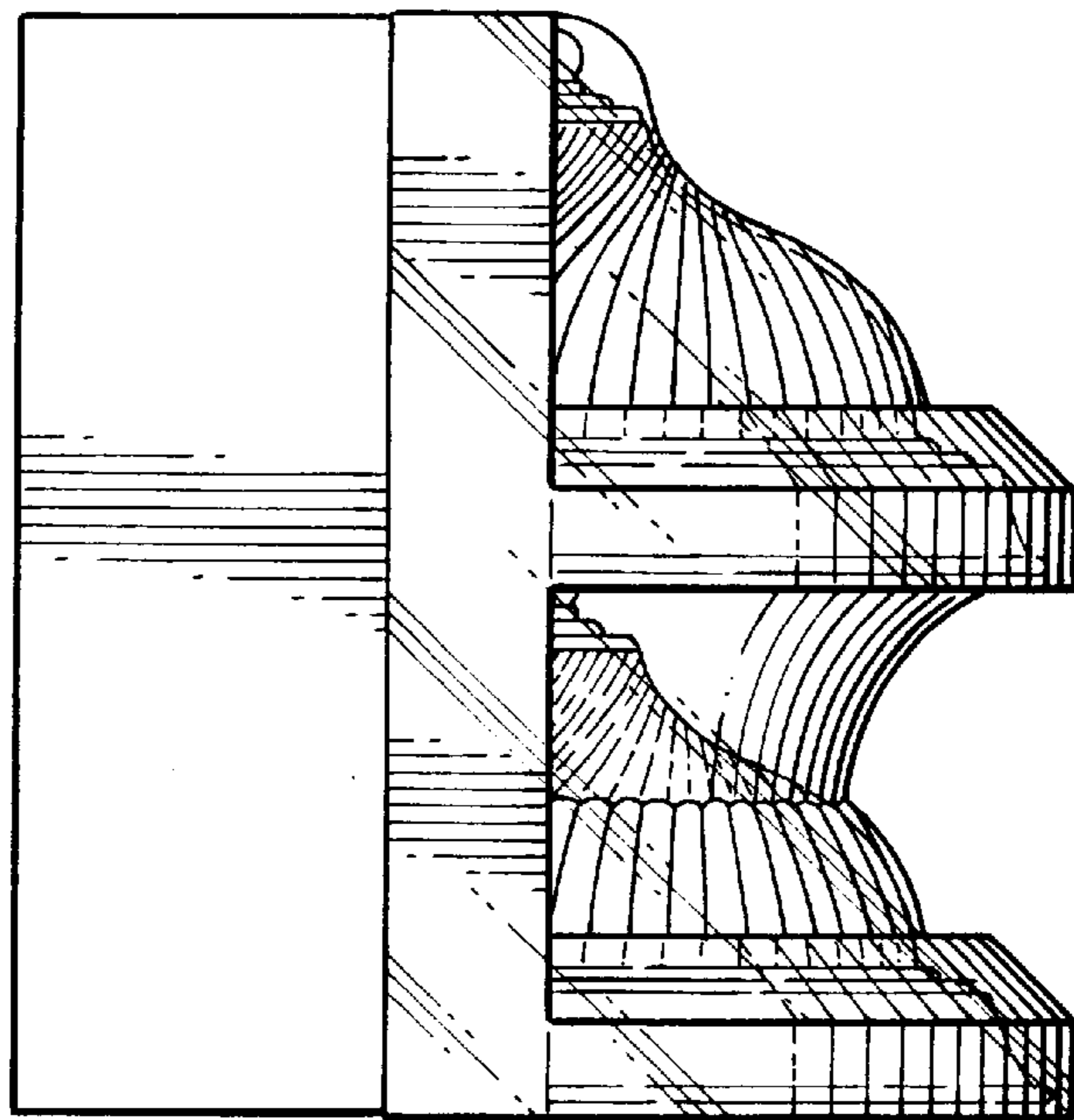


FIG. 4.