



US00D416484S

United States Patent [19] Voden

[11] **Patent Number: Des. 416,484**

[45] **Date of Patent: ** Nov. 16, 1999**

[54] **BILLIARD ACCESSORIES PACKAGE**

4,591,051 5/1986 Lowman 206/315
5,842,567 12/1998 Rowe et al. 206/471 X

[75] Inventor: **Justin L. Voden**, Waukesha, Wis.

OTHER PUBLICATIONS

[73] Assignee: **Great Lakes Dart Manufacturing, Inc.**, Muskego, Wis.

Packaging, p. 22, Mar. 1982.

[**] Term: **14 Years**

Primary Examiner—Prabhakar Deshmukh
Attorney, Agent, or Firm—Whyte Hirschboeck Dudek S.C.;
Timothy J. Ziolkowski

[21] Appl. No.: **29/094,409**

[22] Filed: **Oct. 1, 1998**

[57] CLAIM

Related U.S. Application Data

The ornamental design for a billiard accessories package, as shown and described.

[62] Division of application No. 09/146,573, Sep. 3, 1998.

DESCRIPTION

[51] **LOC (6) Cl.** **09-07**

[52] **U.S. Cl.** **D9/415; D6/552**

[58] **Field of Search** D9/415, 418, 414,
D9/337, 430, 431; 206/315.1, 461-471,
806, 495, 315.9, 579; D6/552

FIG. 1 is a perspective view of a transparent billiard accessories package showing my new design;
FIG. 2 is a top plan view thereof;
FIG. 3 is a right side elevational view thereof; the left side elevational view being a mirror image thereof;
FIG. 4 is a rear elevational view thereof;
FIG. 5 is a front elevational view thereof;
FIG. 6 is a bottom plan view thereof; and,
FIG. 7 is a top plan view of a second embodiment of the billiard accessories package showing with an opaque surface; all other corresponding views are similar to as shown in FIG. 2-6 with the exception of an opaque surface.
The broken lines shown in all figures are for illustrative purposes only and form no part of the claimed design.

[56] References Cited

U.S. PATENT DOCUMENTS

D. 313,182	12/1990	Diepois	D9/415
D. 339,259	9/1993	Kocon	D6/552
D. 346,520	5/1994	Barfield	D6/552
D. 400,728	11/1998	Tate	D6/552 X
4,072,256	2/1978	Young	206/315.9 X
4,103,773	8/1978	Haber	206/315
4,480,774	11/1984	Smith et al.	206/315.1 X

1 Claim, 3 Drawing Sheets

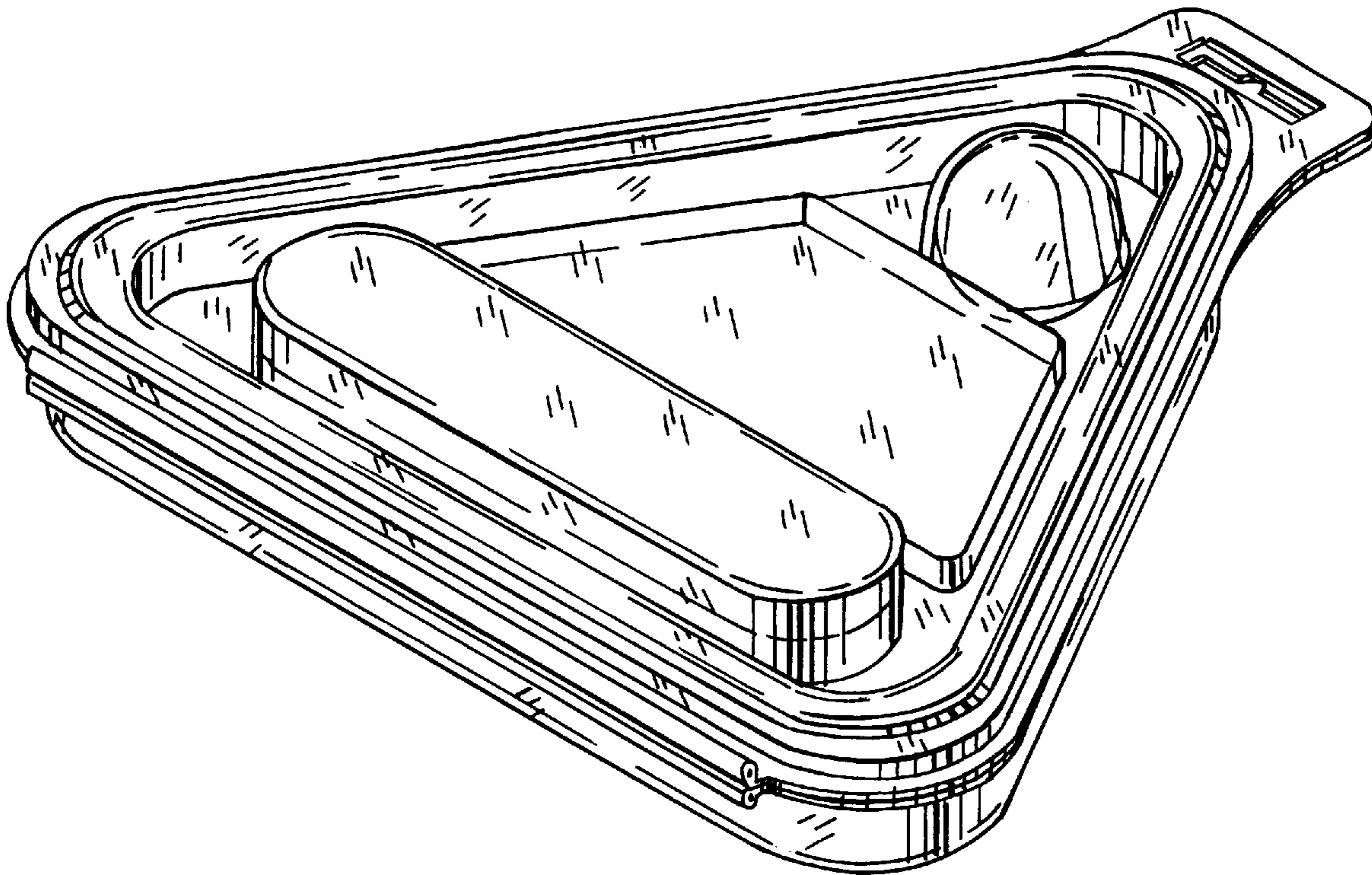


FIG. 1

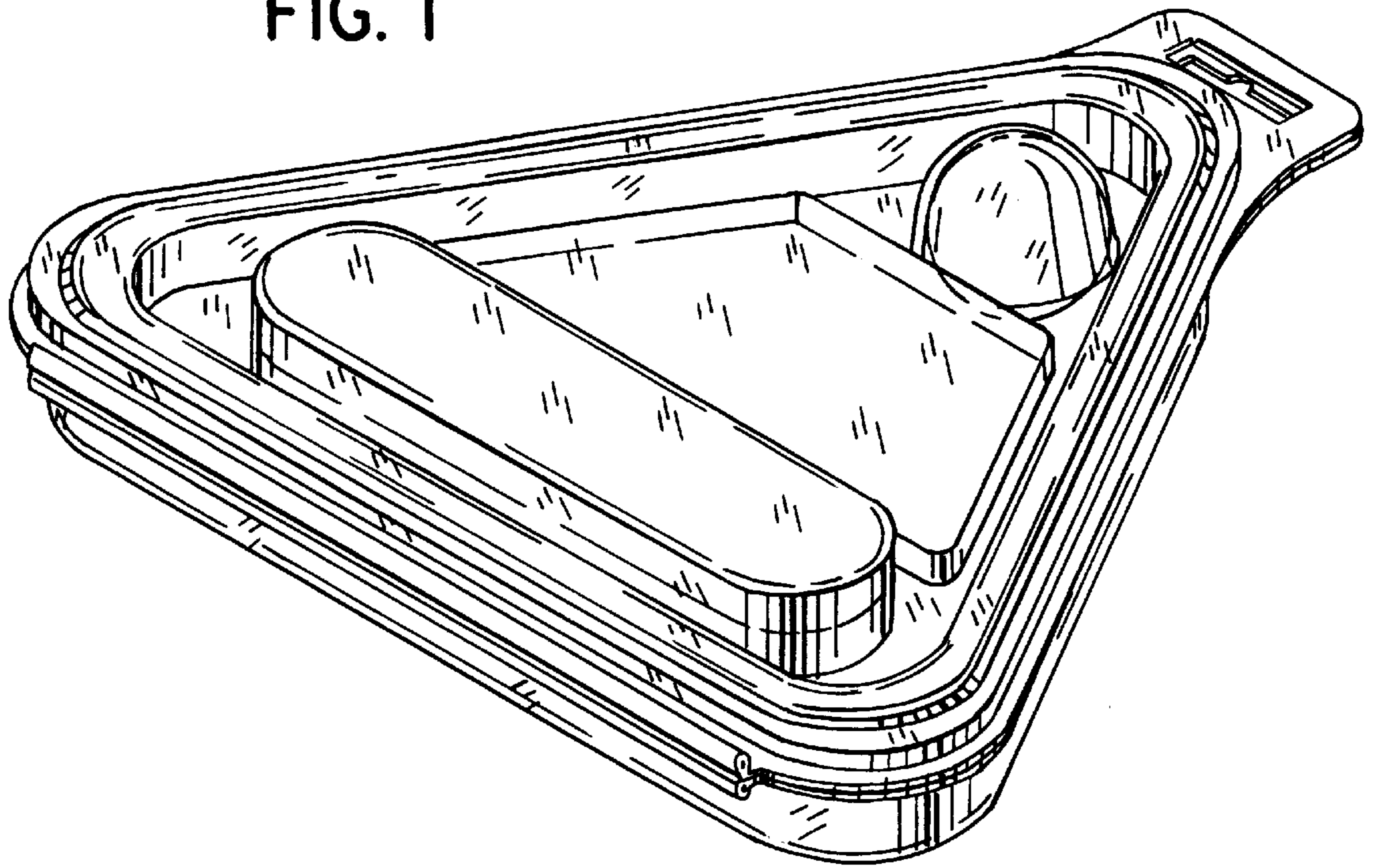


FIG. 2

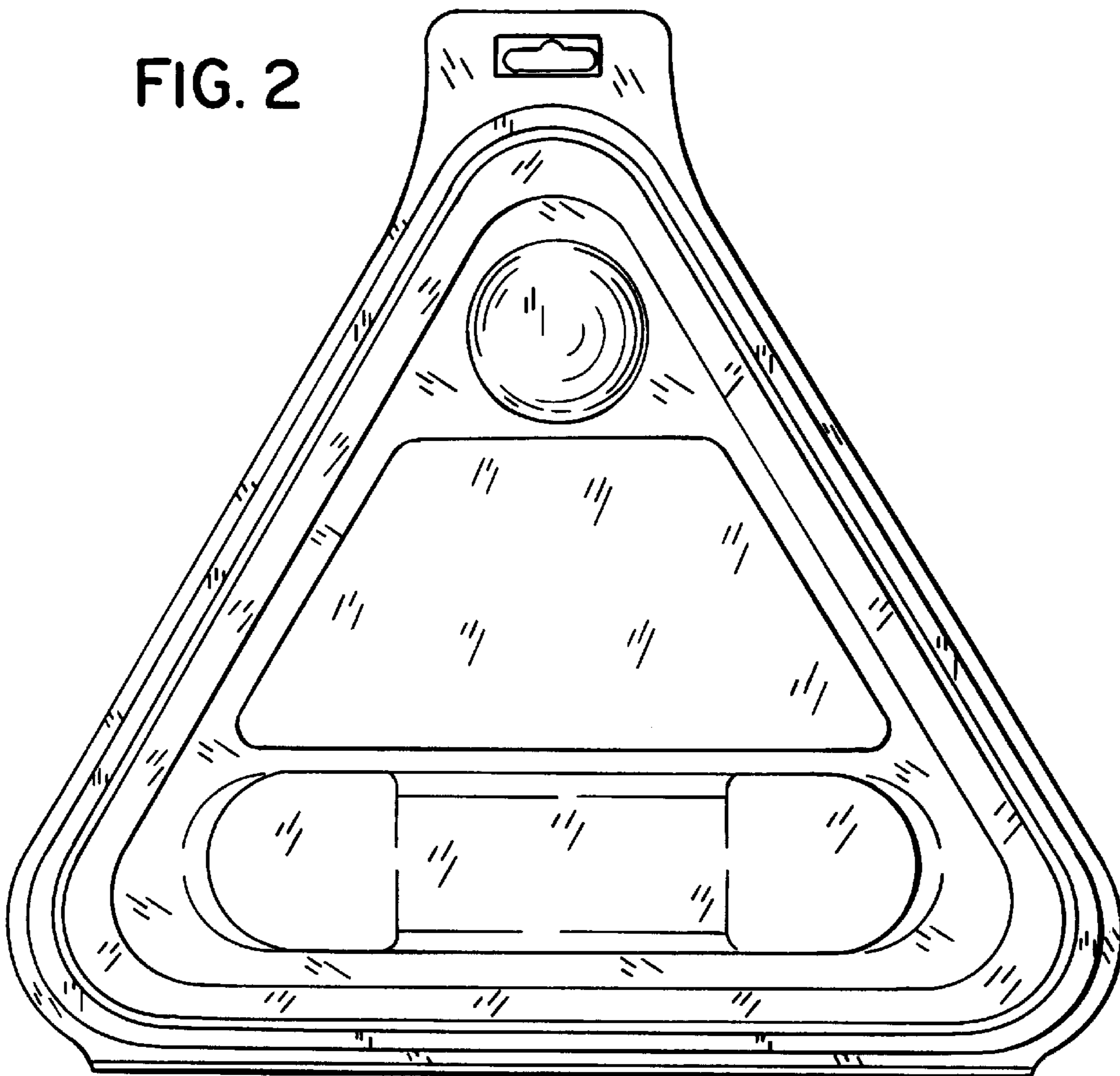


FIG. 3

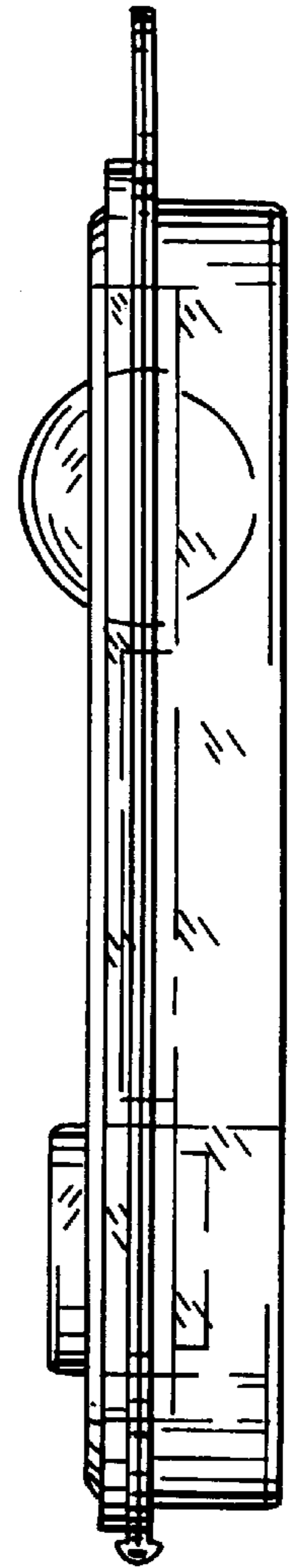


FIG. 7

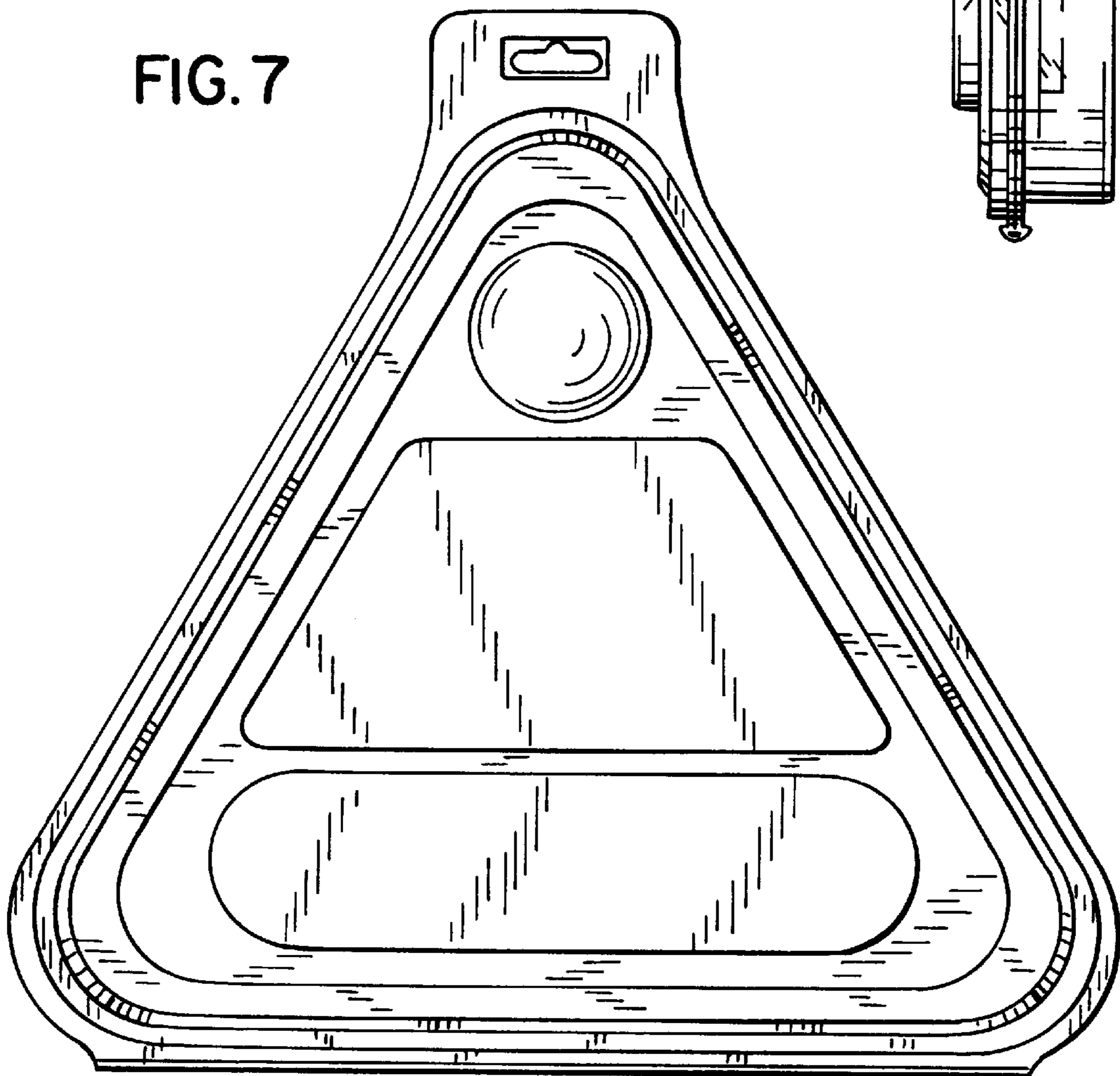


FIG. 4

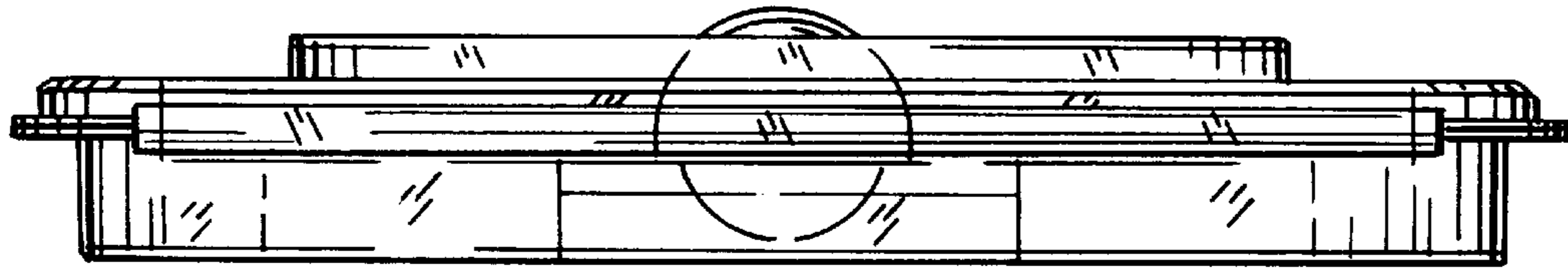
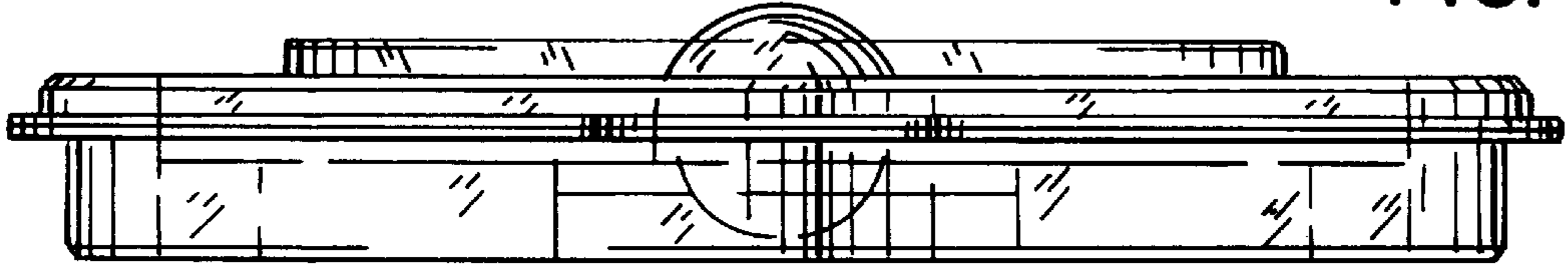


FIG. 5

FIG. 6

