



US00D416482S

**United States Patent** [19]  
**McCann**

[11] **Patent Number: Des. 416,482**

[45] **Date of Patent: \*\* Nov. 16, 1999**

[54] **DISPOSABLE FOOD CONTAINER**

[75] Inventor: **Raymond P. McCann**, Phoenix, Ariz.

[73] Assignee: **Elm Packaging Company**, Fullerton, Calif.

[\*\*] Term: **14 Years**

[21] Appl. No.: **29/083,743**

[22] Filed: **Dec. 29, 1997**

[51] **LOC (6) Cl.** ..... **09-03**

[52] **U.S. Cl.** ..... **D9/341**

[58] **Field of Search** ..... D9/337, 341, 345,  
D9/346, 439; 206/521.1, 521.3, 521.5, 521.8,  
521.9, 737; 229/162, 406, 906

[56] **References Cited**

**U.S. PATENT DOCUMENTS**

D. 279,649	7/1985	DeMay	.....	D9/337
2,013,606	9/1935	Hale	.....	206/521.8
2,591,471	4/1952	Schwertfeger	.....	206/521.1
2,634,039	4/1953	Schwertfeger	.....	206/521.1
3,191,844	6/1965	Comstock	.....	206/521.1
3,310,217	3/1967	Trimble	.....	206/521.5

3,469,763	9/1969	Voorhis	.....	206/521.1
3,580,480	5/1971	French	.....	206/521.1
3,687,350	8/1972	Warburton	.....	206/521.1
4,742,953	5/1988	Jacobs et al.	.....	206/521.1

*Primary Examiner*—Ted Shooman  
*Assistant Examiner*—Carol Rademaker  
*Attorney, Agent, or Firm*—McDermott, Will & Emery

[57] **CLAIM**

The ornamental design for a disposable food container, as shown and described.

**DESCRIPTION**

FIG. 1 is a perspective view of the disposable food container showing the design.

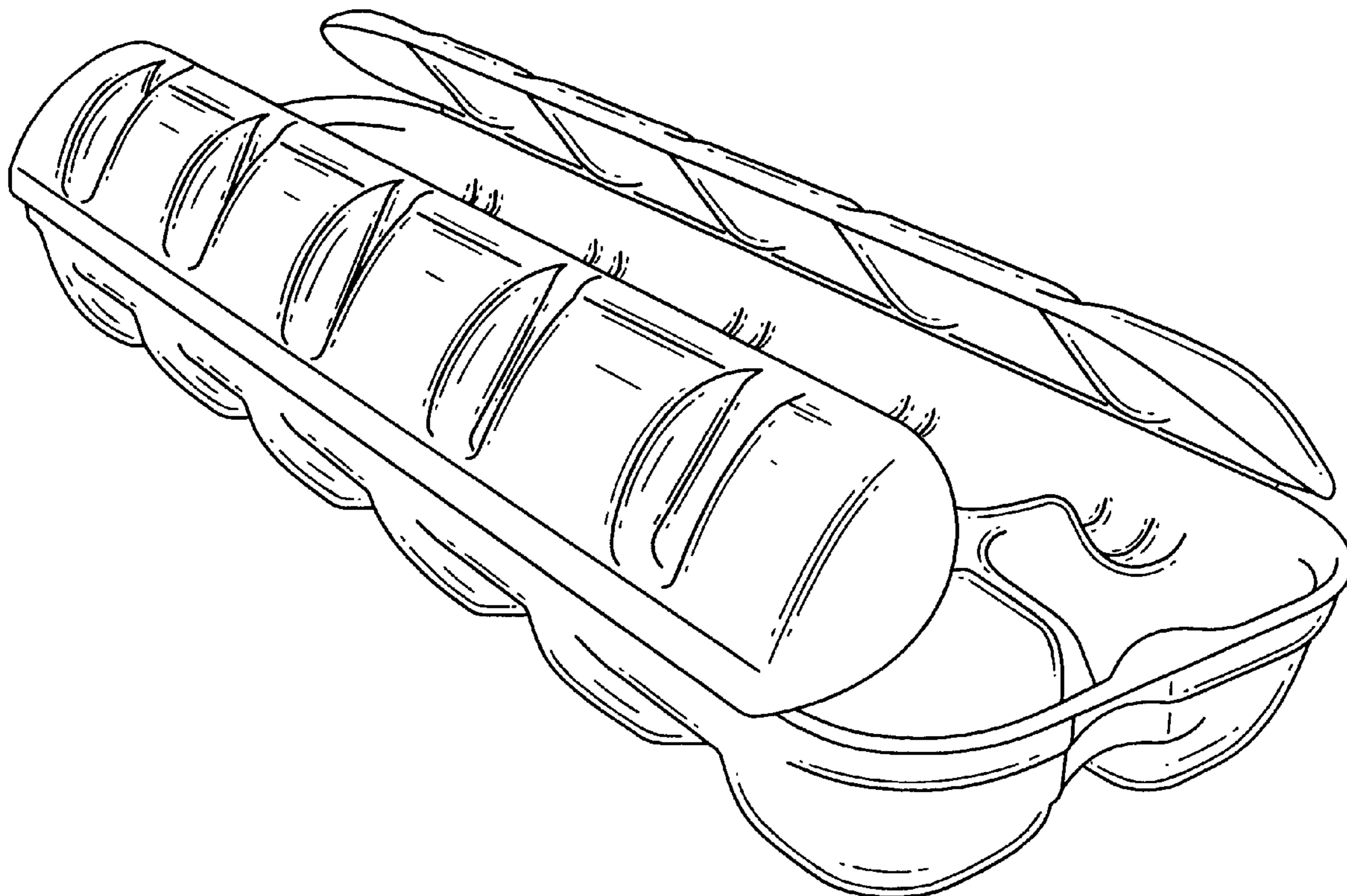
FIG. 2 is a front view of the disposable food container of FIG. 1, the rear view being a mirror image thereof.

FIG. 3 is a side view of the disposable food container of FIG. 1, the other side view being a mirror image thereof.

FIG. 4 is a top view of the disposable food container of FIG. 1; and,

FIG. 5 is a bottom view of the disposable food container of FIG. 1.

**1 Claim, 3 Drawing Sheets**



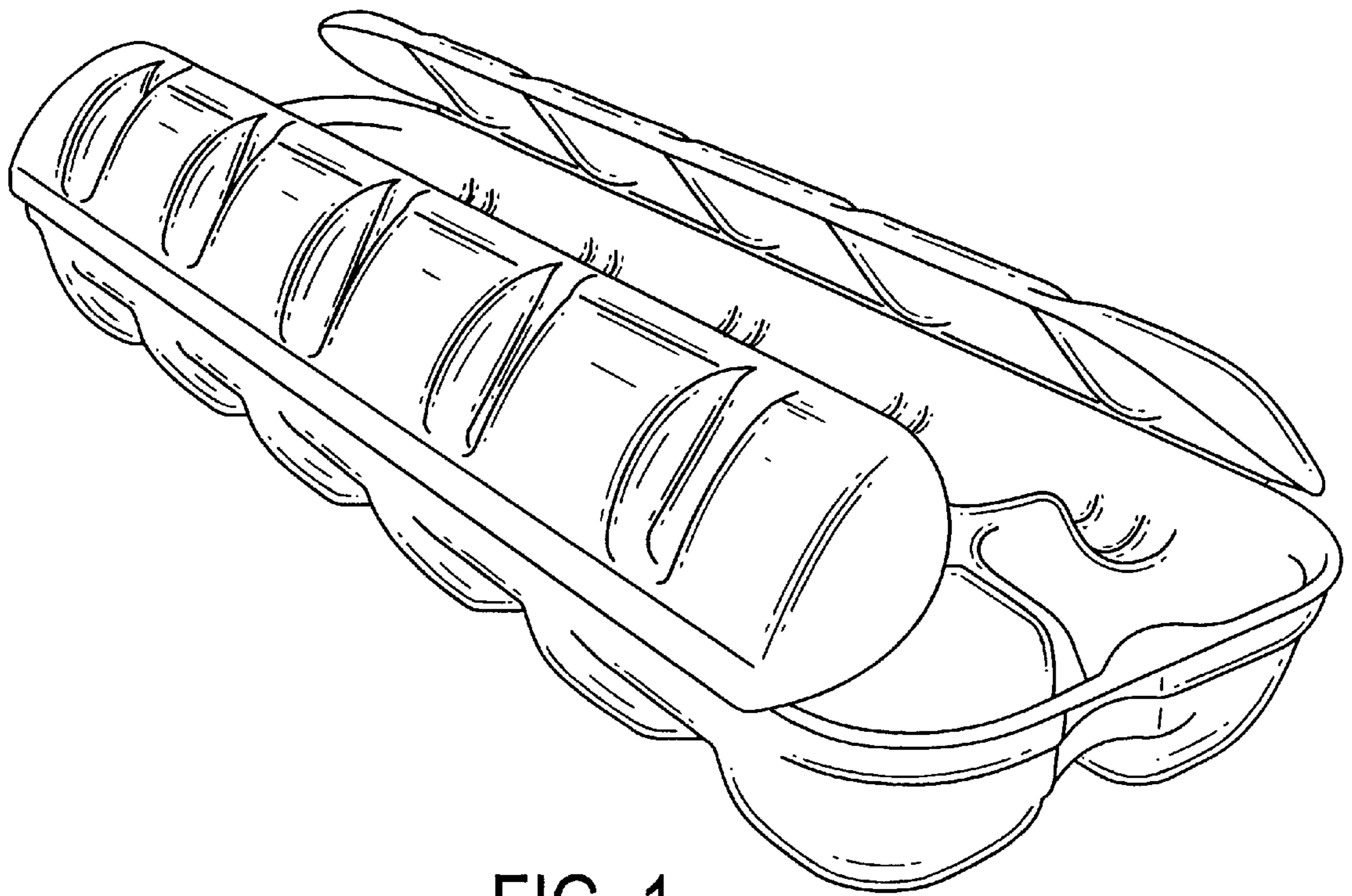


FIG. 1

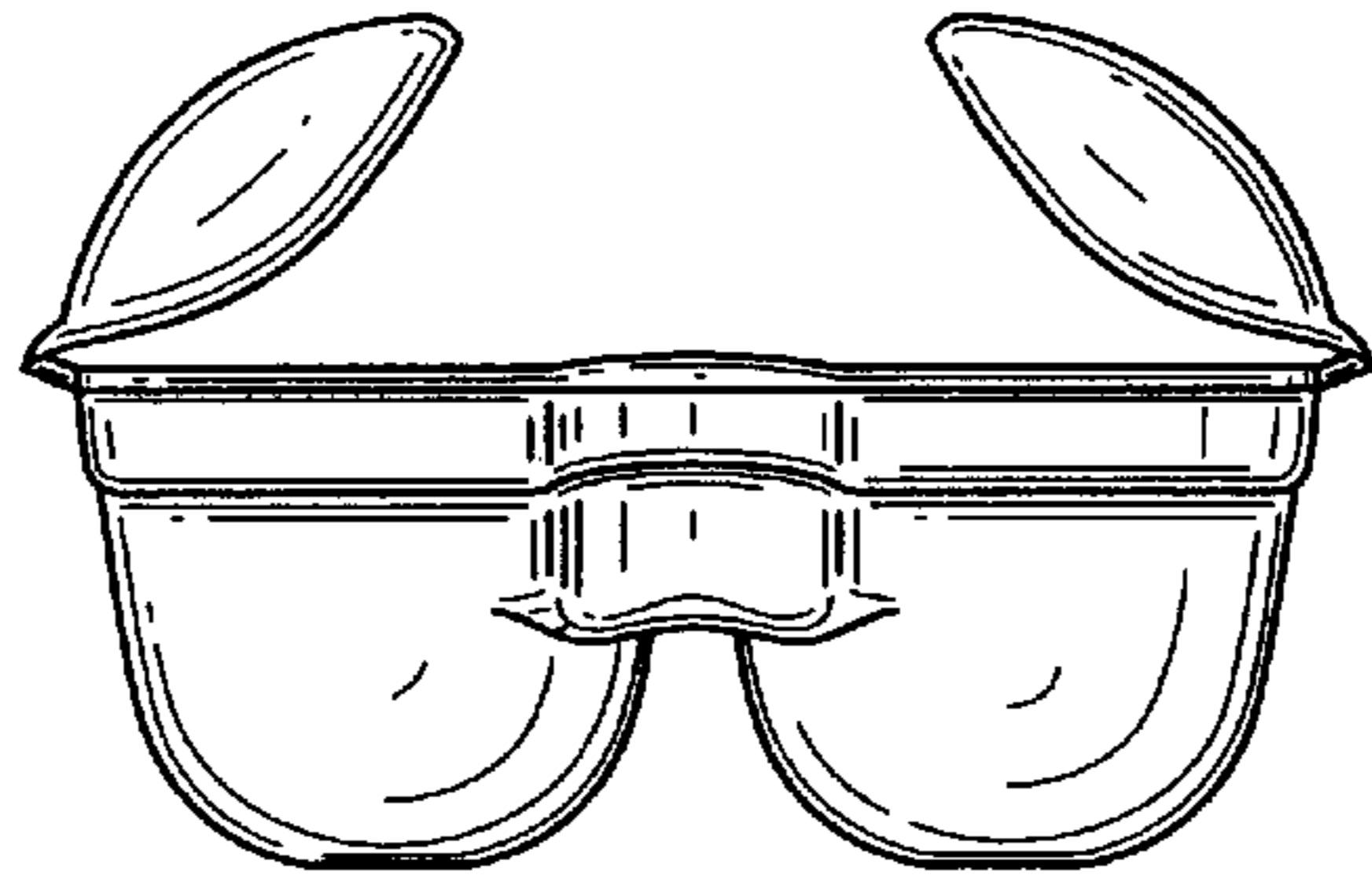


FIG. 2

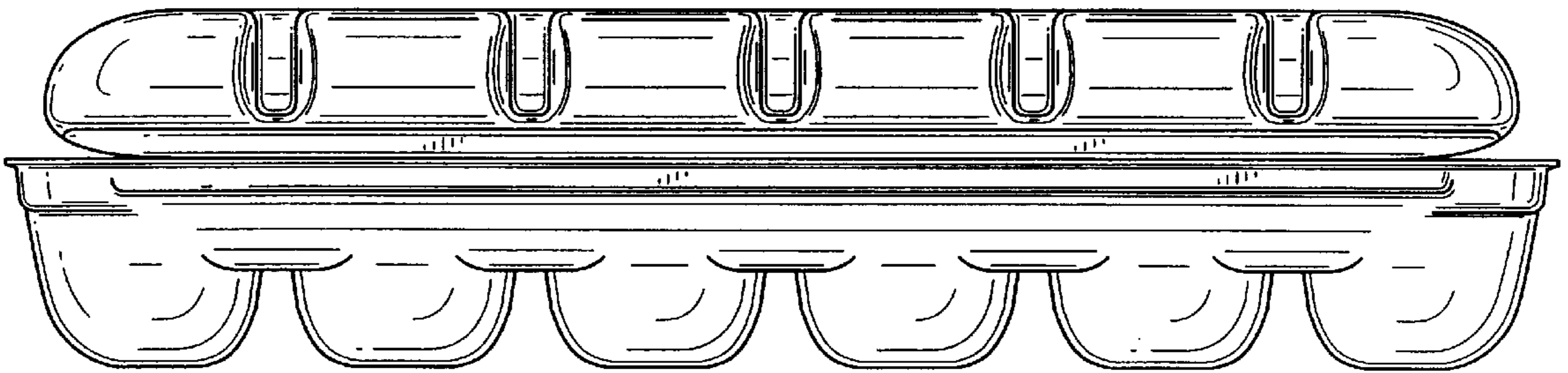


FIG. 3

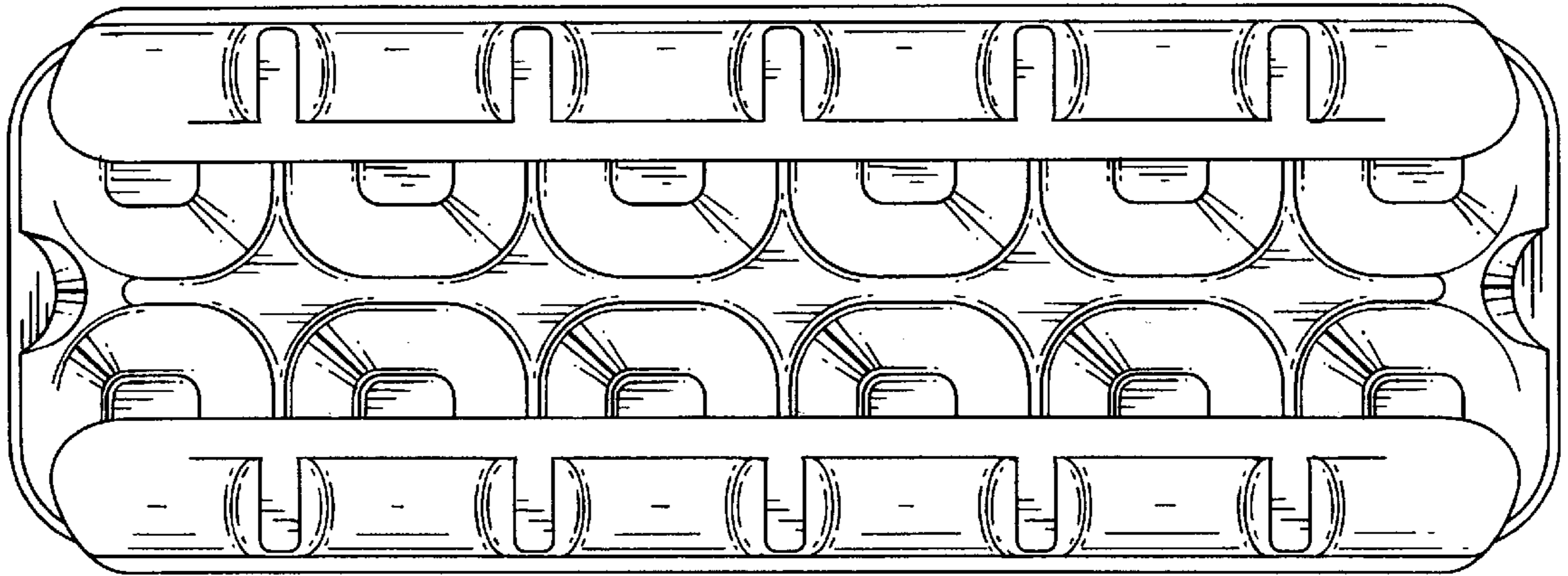


FIG. 4

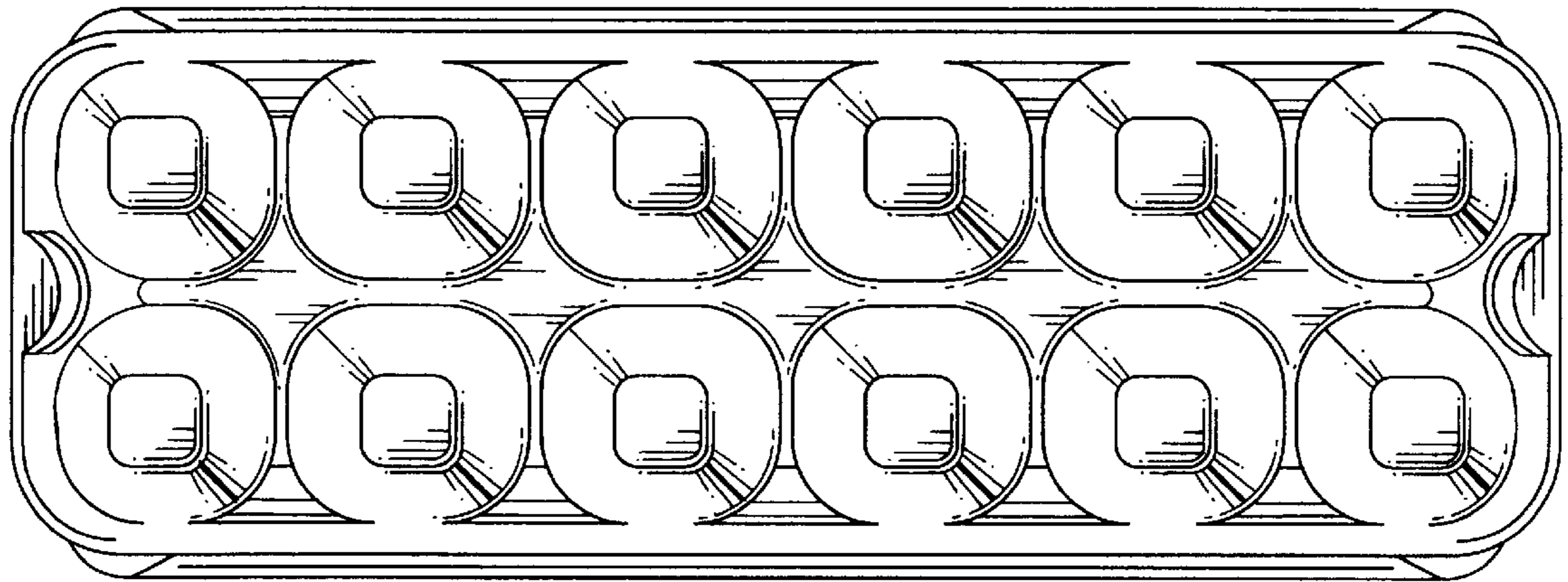


FIG. 5