



US00D416474S

United States Patent [19]
Wang

[11] **Patent Number: Des. 416,474**

[45] **Date of Patent: ** Nov. 16, 1999**

[54] **MULTI-SWIVEL CONNECTOR**

[75] Inventor: **Yong Wang**, Ossining, N.Y.

[73] Assignee: **Unex Corporation**, Mahwah, N.J.

[**] Term: **14 Years**

[21] Appl. No.: **29/097,703**

[22] Filed: **Dec. 11, 1998**

[51] **LOC (6) Cl.** **08-08**

[52] **U.S. Cl.** **D8/382**

[58] **Field of Search** D8/382; 403/169-170,
403/173-174, 205, 312, 177-178, 300,
305-306; 211/182, 68

[56] **References Cited**

U.S. PATENT DOCUMENTS

D. 373,720 9/1996 Hirano et al. D8/382

Primary Examiner—Holly Baynham

Attorney, Agent, or Firm—Michael J. Striker

[57] **CLAIM**

The ornamental design for a multi-swivel connector, as shown and described.

DESCRIPTION

FIG. 1 is a perspective view of a multi-swivel connector showing my new design;
FIG. 2 is an end view thereof;
FIG. 3 is the opposite end view thereof;
FIG. 4 is a side view thereof;
FIG. 5 is the opposite side view thereof;
FIG. 6 is a top plan view thereof, and;
FIG. 7 is a bottom plan view thereof; and,
FIG. 8 is a perspective view of a multi-swivel connector showing my new design in an installed position.
The broken line showing of a partial structure is for illustrative purposes only and forms no part of the claimed design.

1 Claim, 4 Drawing Sheets

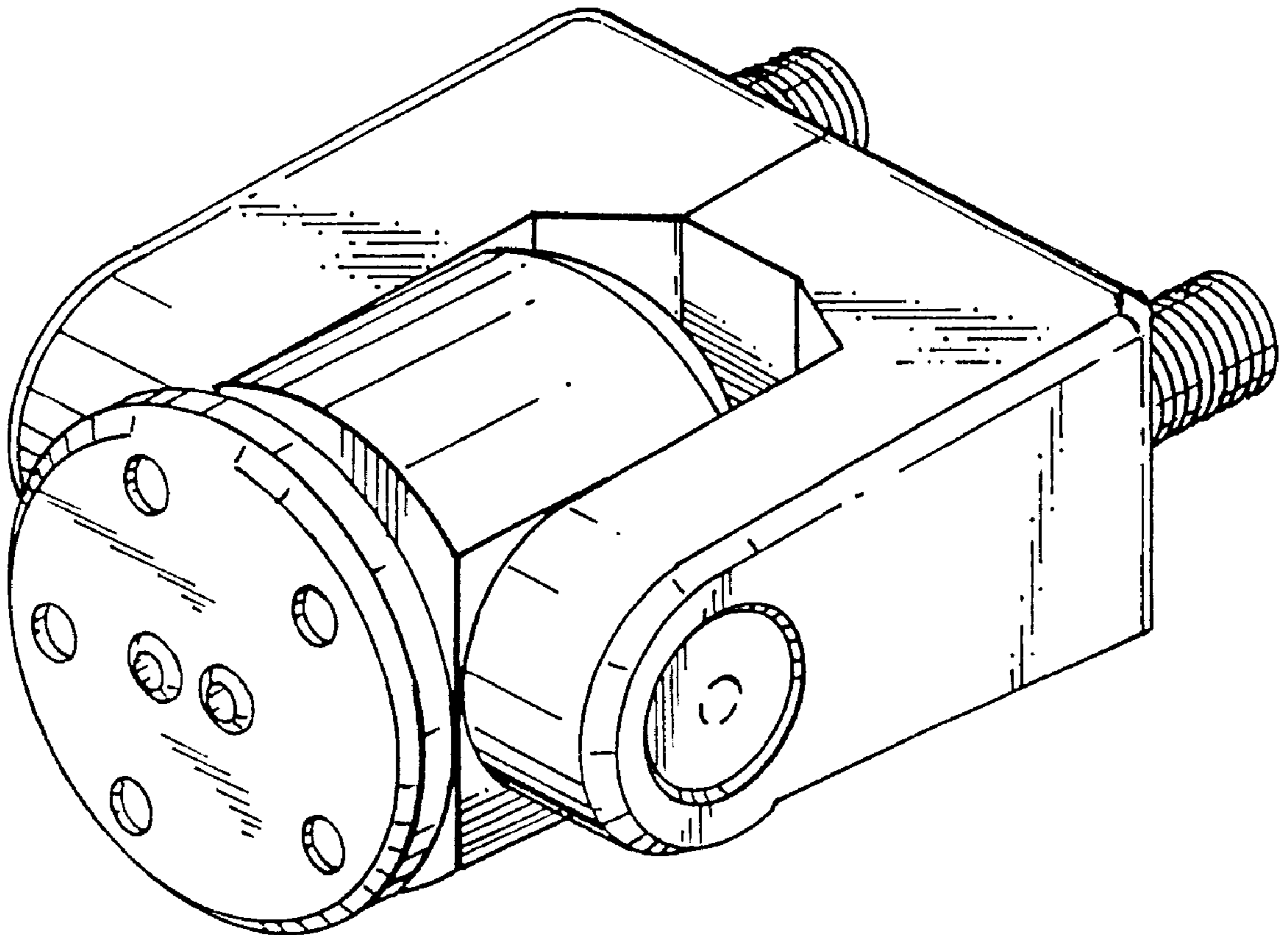


Fig. 1

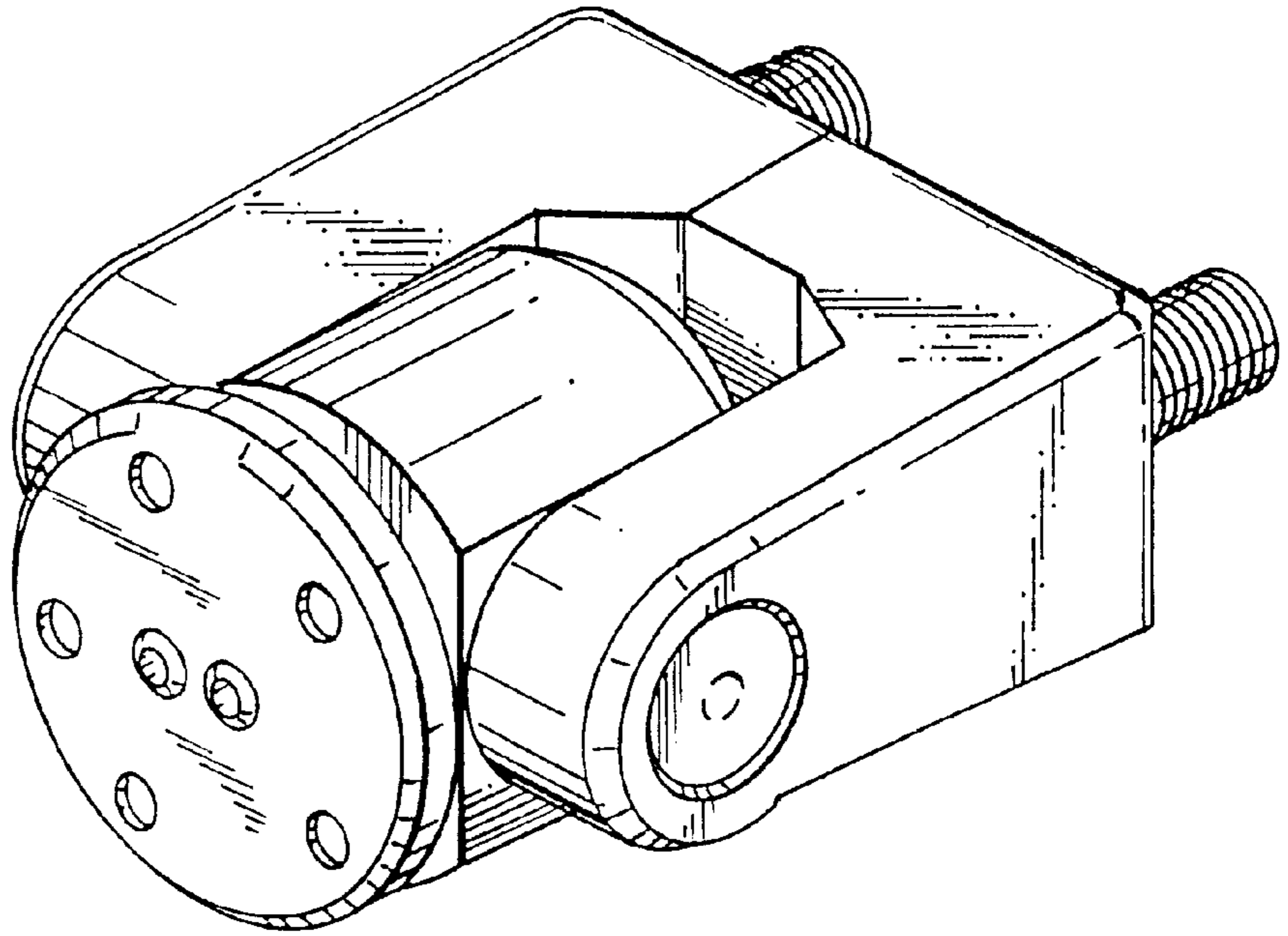
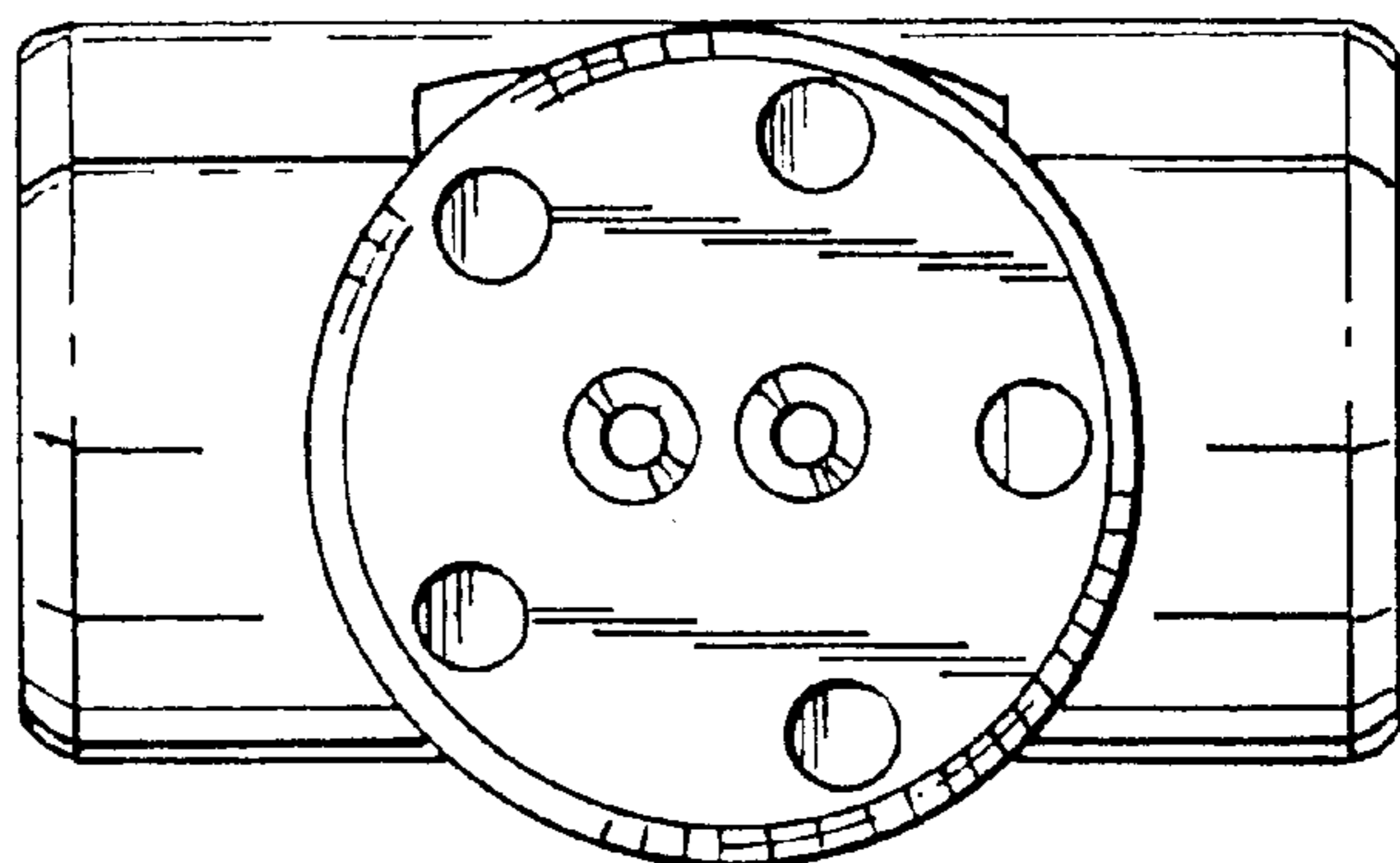


Fig. 2



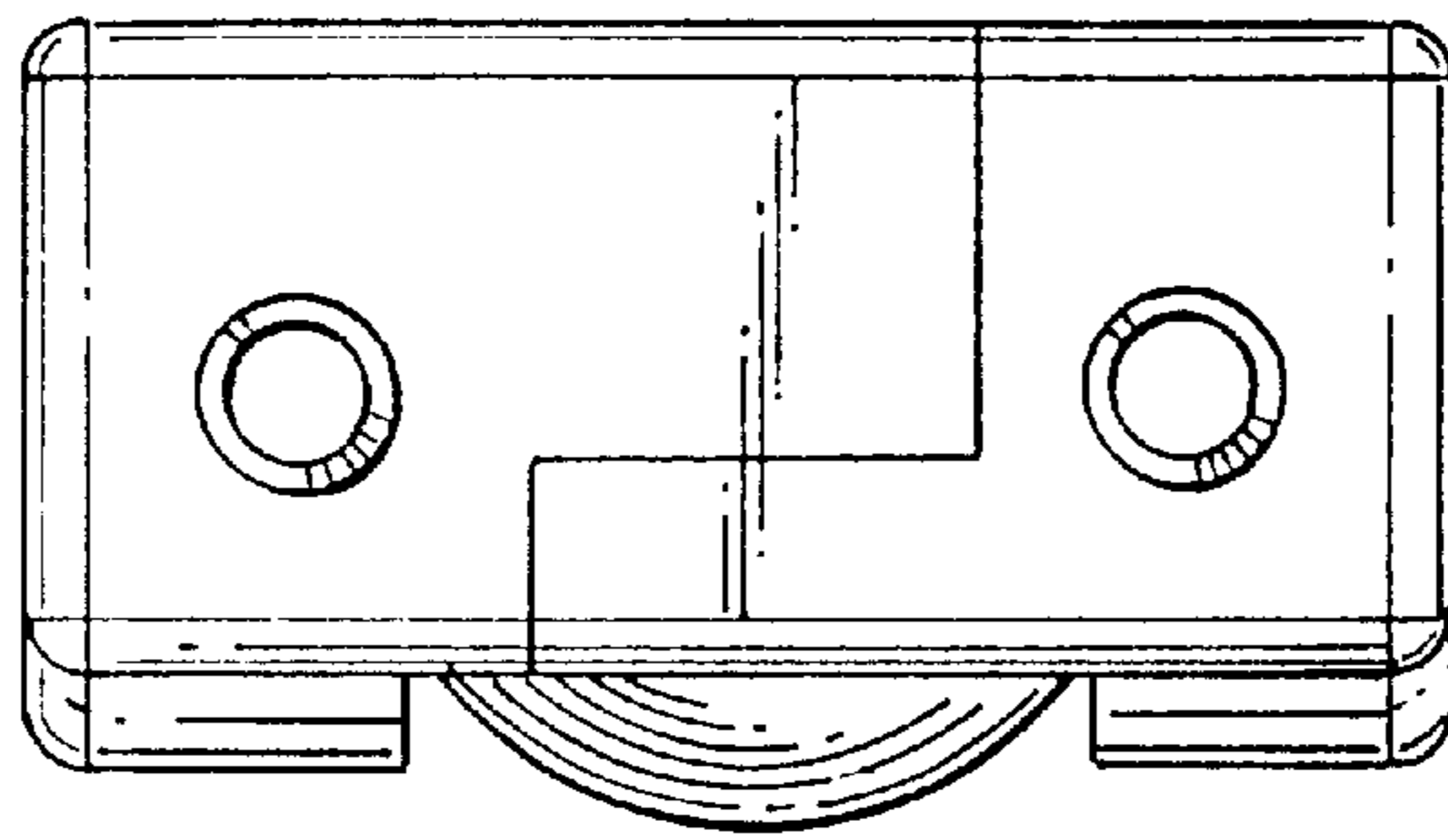


Fig. 3

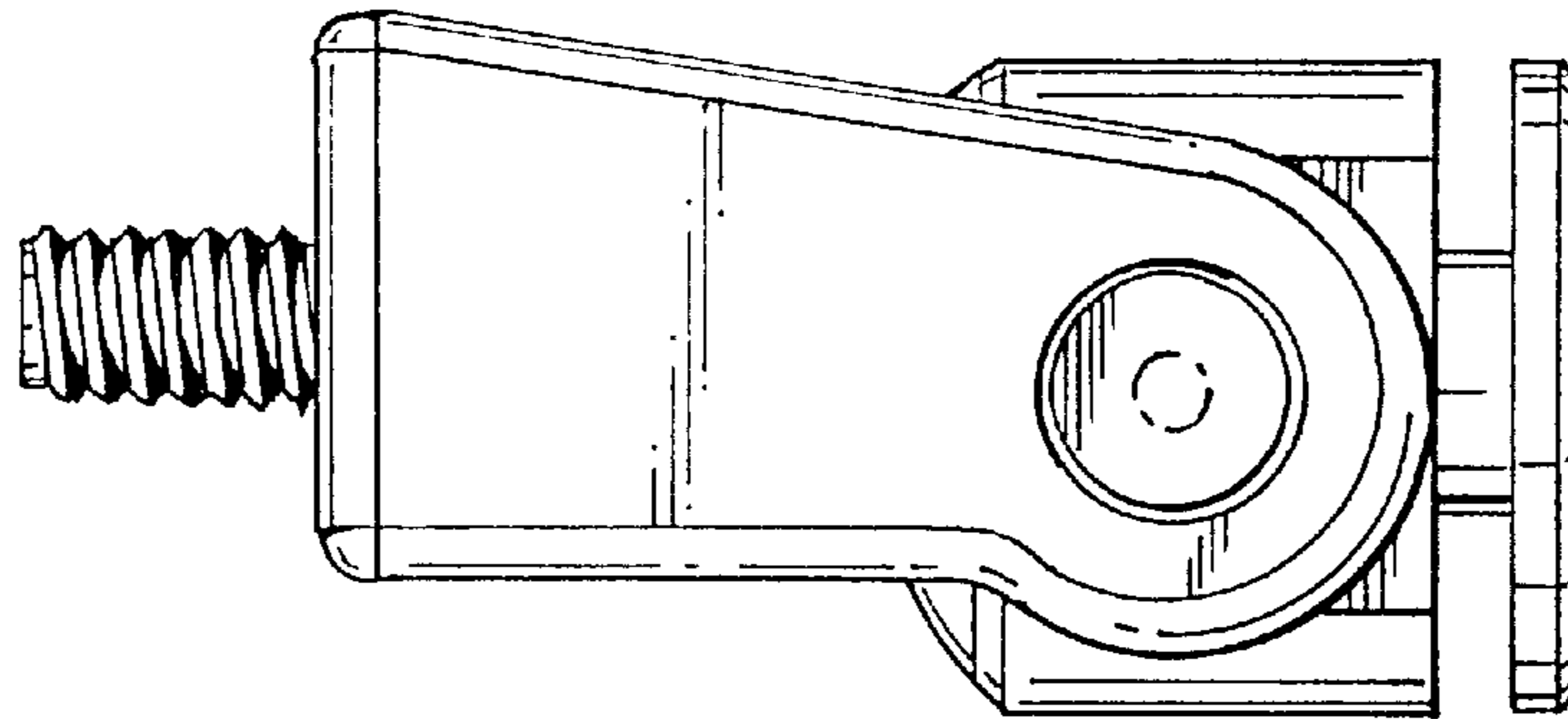


Fig. 4

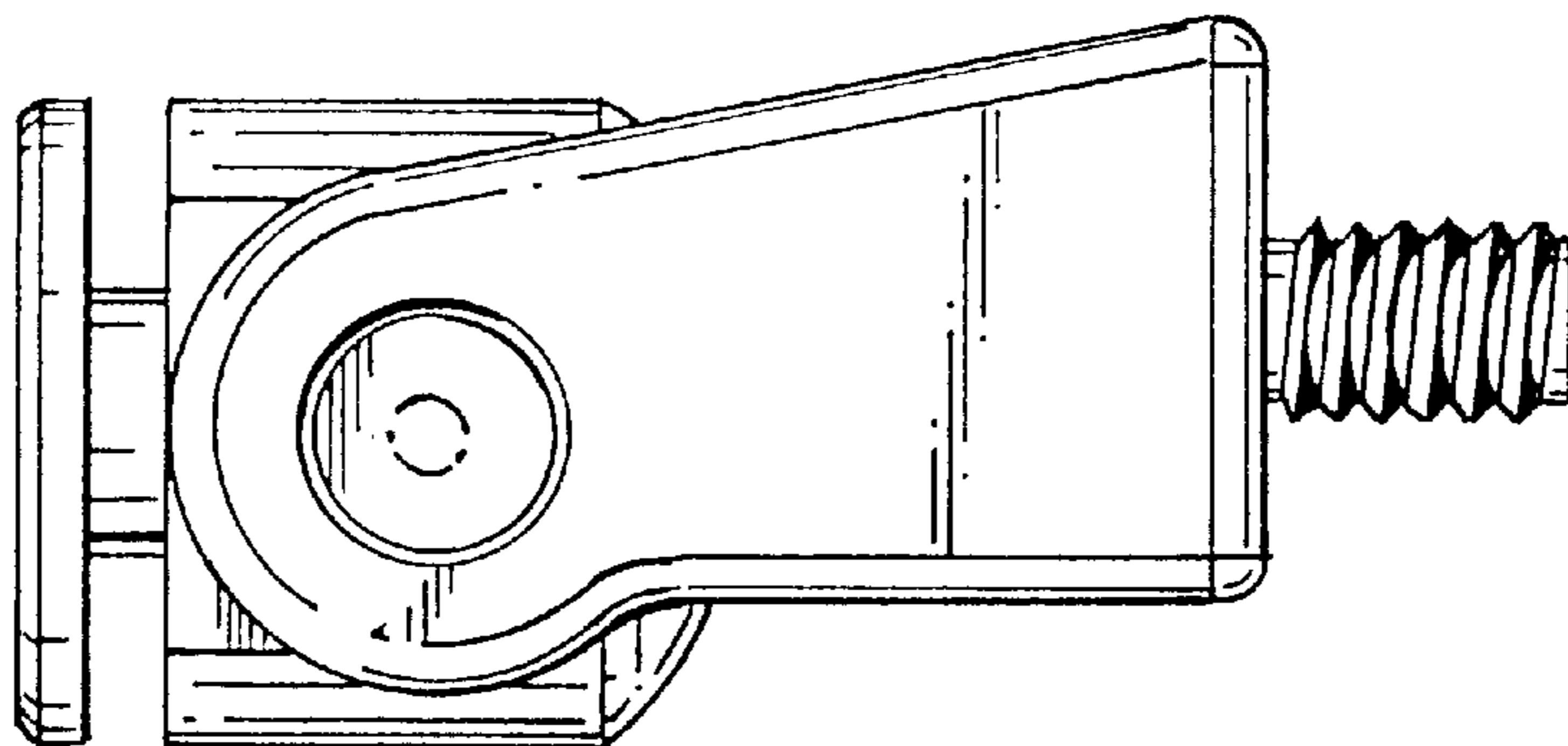


Fig. 5

Fig. 6

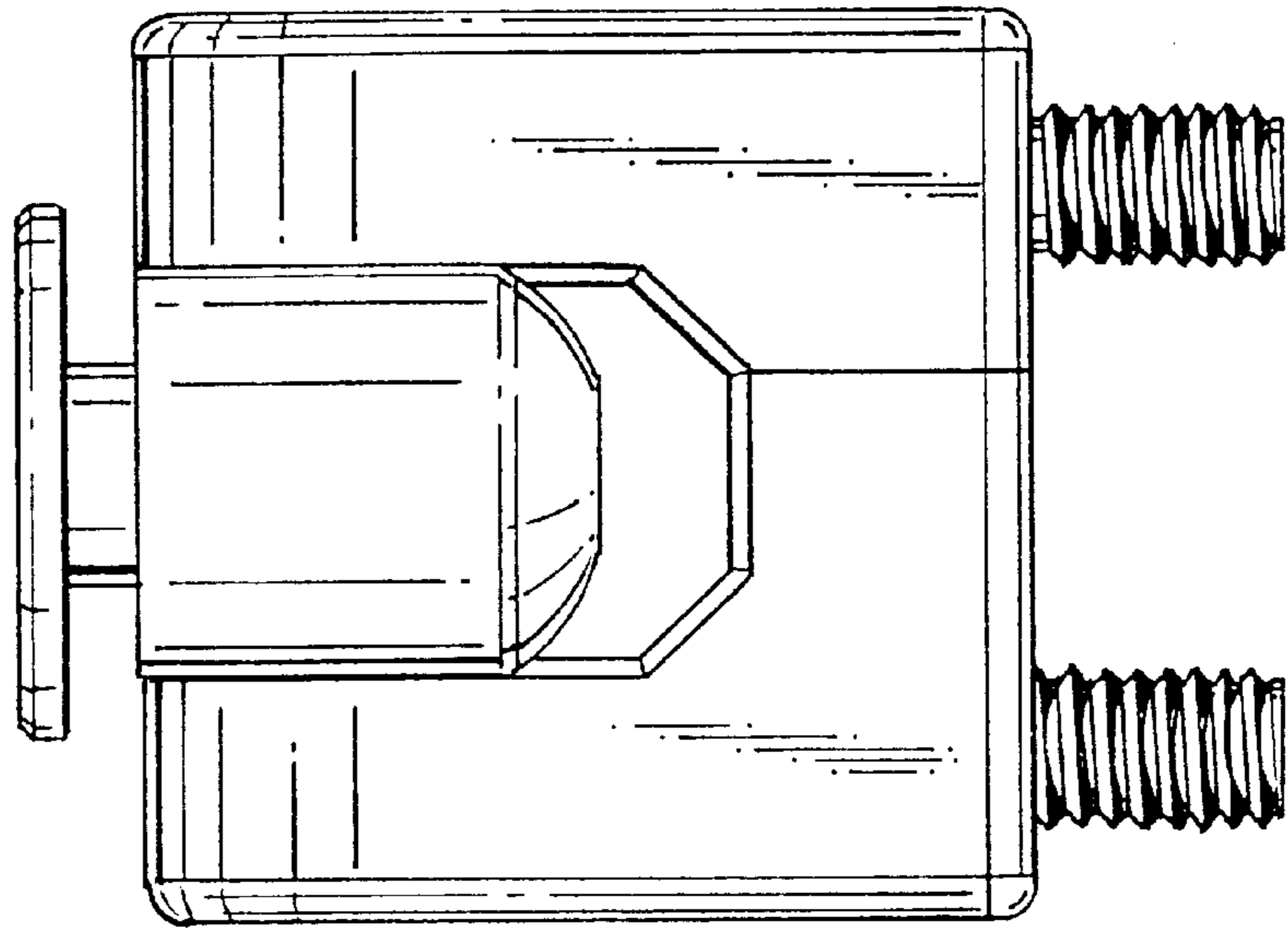


Fig. 7

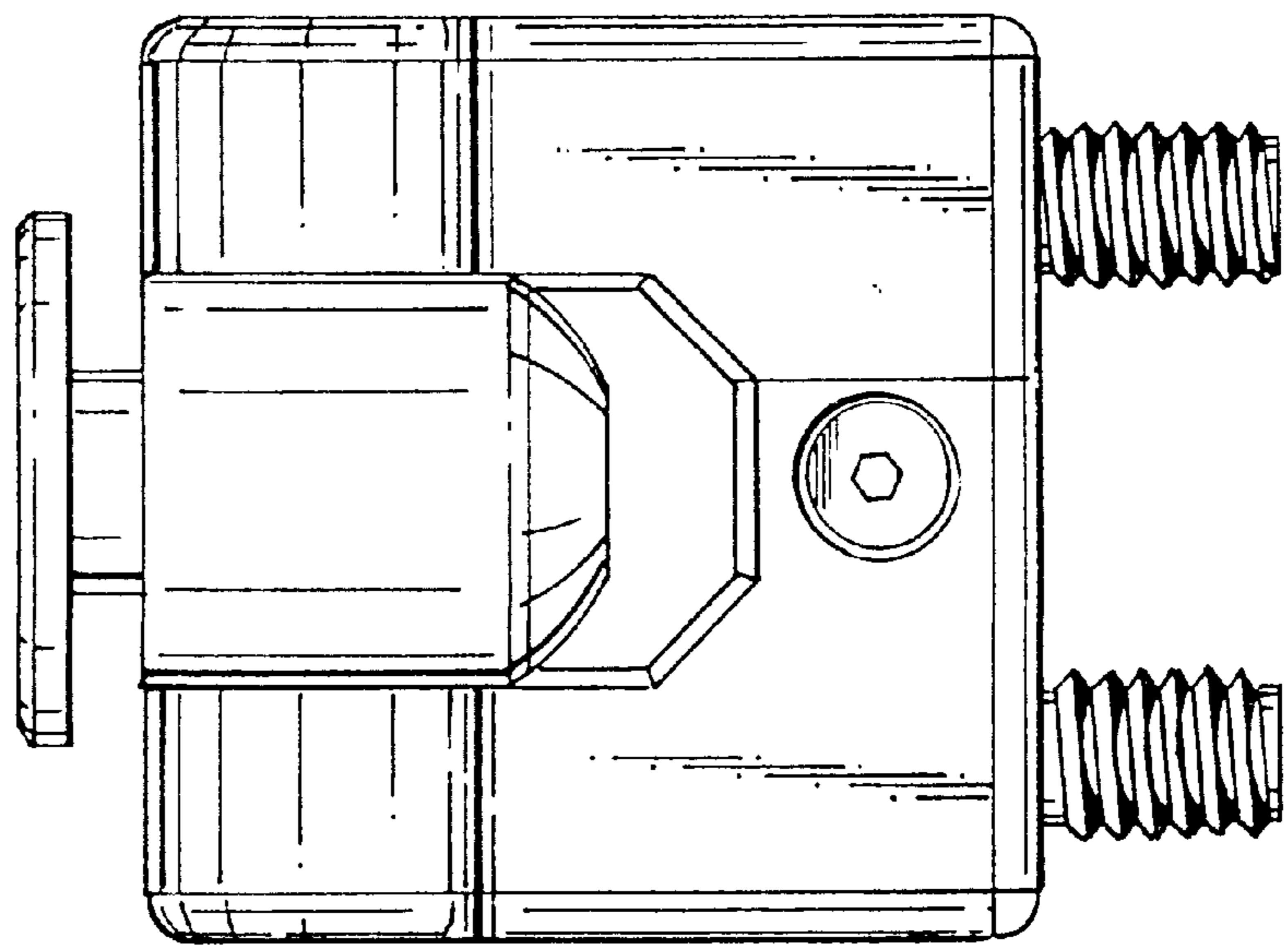


Fig. 8

