



US00D416471S

**United States Patent** [19]  
**Wurdack**

[11] **Patent Number: Des. 416,471**  
[45] **Date of Patent: \*\* Nov. 16, 1999**

[54] **COMBINED CONNECTOR FITTING AND HOOK FOR RAISING AND LEVELING HEAVY OBJECTS**

5,261,643 11/1993 Wurdack .  
5,385,335 1/1995 Wurdack .

[76] Inventor: **Roy A. Wurdack**, 9212 Royal Mountain Dr., Chattanooga, Tenn. 37421

*Primary Examiner*—Holly Baynham  
*Attorney, Agent, or Firm*—Grace J. Fishel

[\*\*] Term: **14 Years**

[57] **CLAIM**

The ornamental design for a combined fitting and hook for raising and leveling heavy objects, as shown.

[21] Appl. No.: **29/082,321**

**DESCRIPTION**

[22] Filed: **Jan. 20, 1998**

[51] **LOC (6) Cl.** ..... **08-05**

[52] **U.S. Cl.** ..... **D8/363**

[58] **Field of Search** ..... D8/349, 354, 373,  
D8/363; 248/309.1, 262-263, 220.21, 220.43;  
254/106; D34/35

FIG. 1 is a perspective view of a combined connector fitting and hook for raising and leveling heavy objects showing my new design in use;  
FIG. 2 is a side view thereof with the opposite side being a mirror image;  
FIG. 3 is a front view thereof;  
FIG. 4 is a rear view thereof;  
FIG. 5 is a top view thereof; and,  
FIG. 6 is a bottom view thereof.

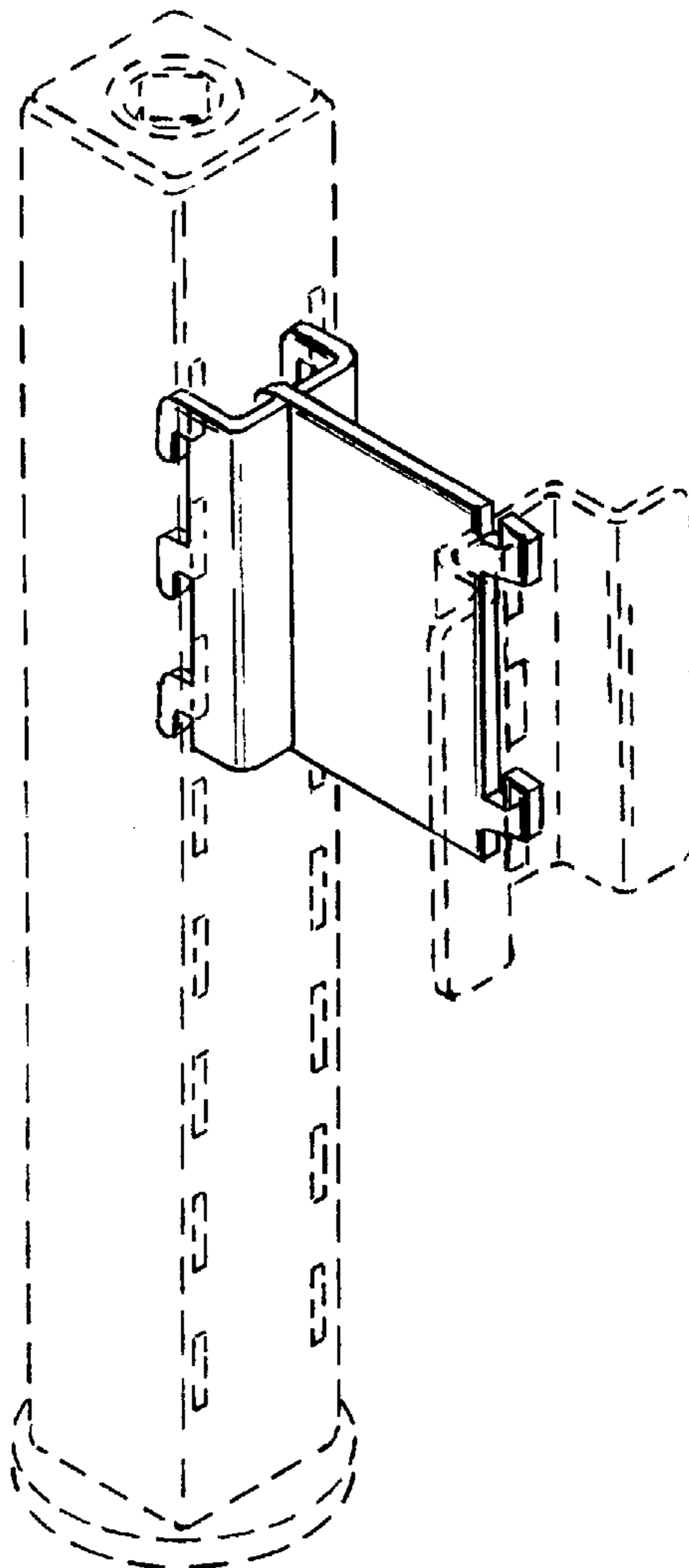
[56] **References Cited**

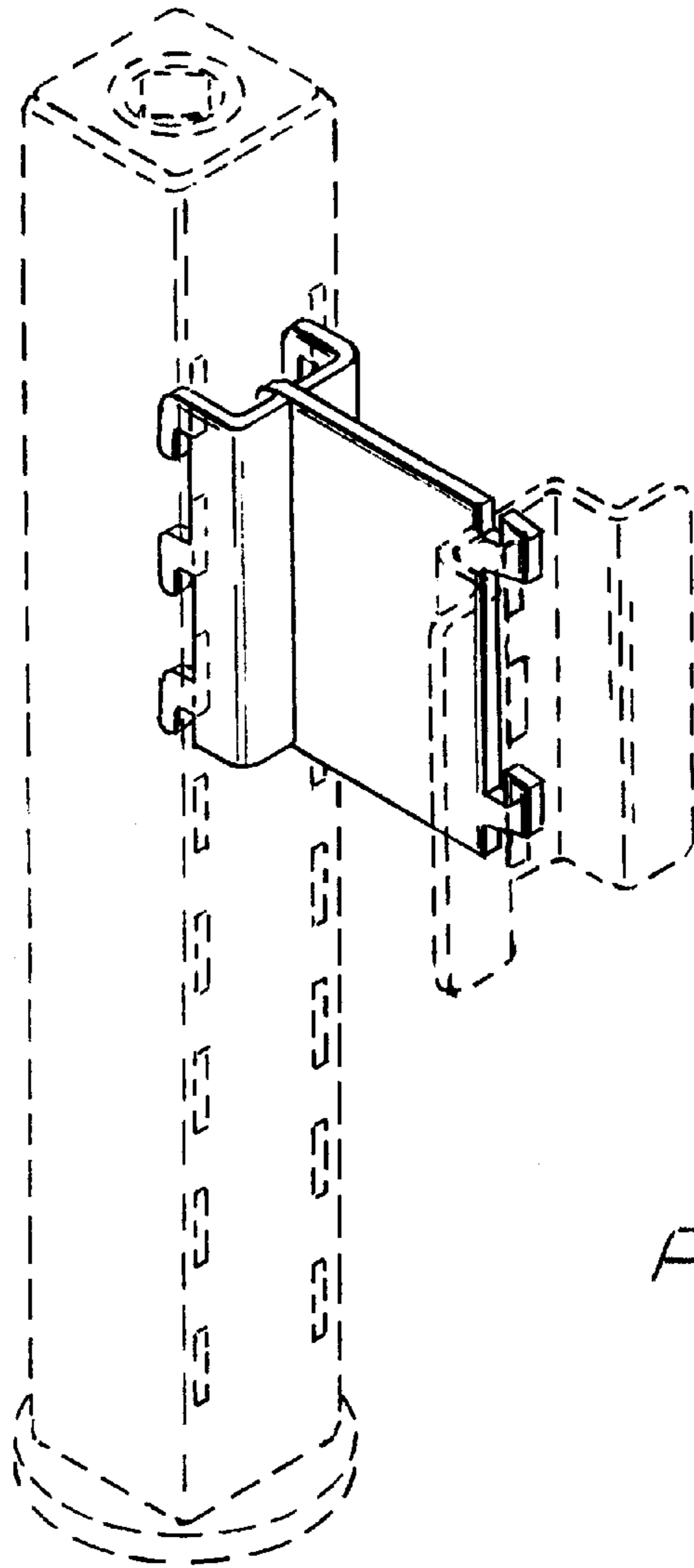
**U.S. PATENT DOCUMENTS**

D. 287,179	12/1986	Kuykendall	.....	D34/31
3,162,148	12/1964	Ganz	.....	248/221.43
4,387,872	6/1983	Hogue	.....	248/221.43

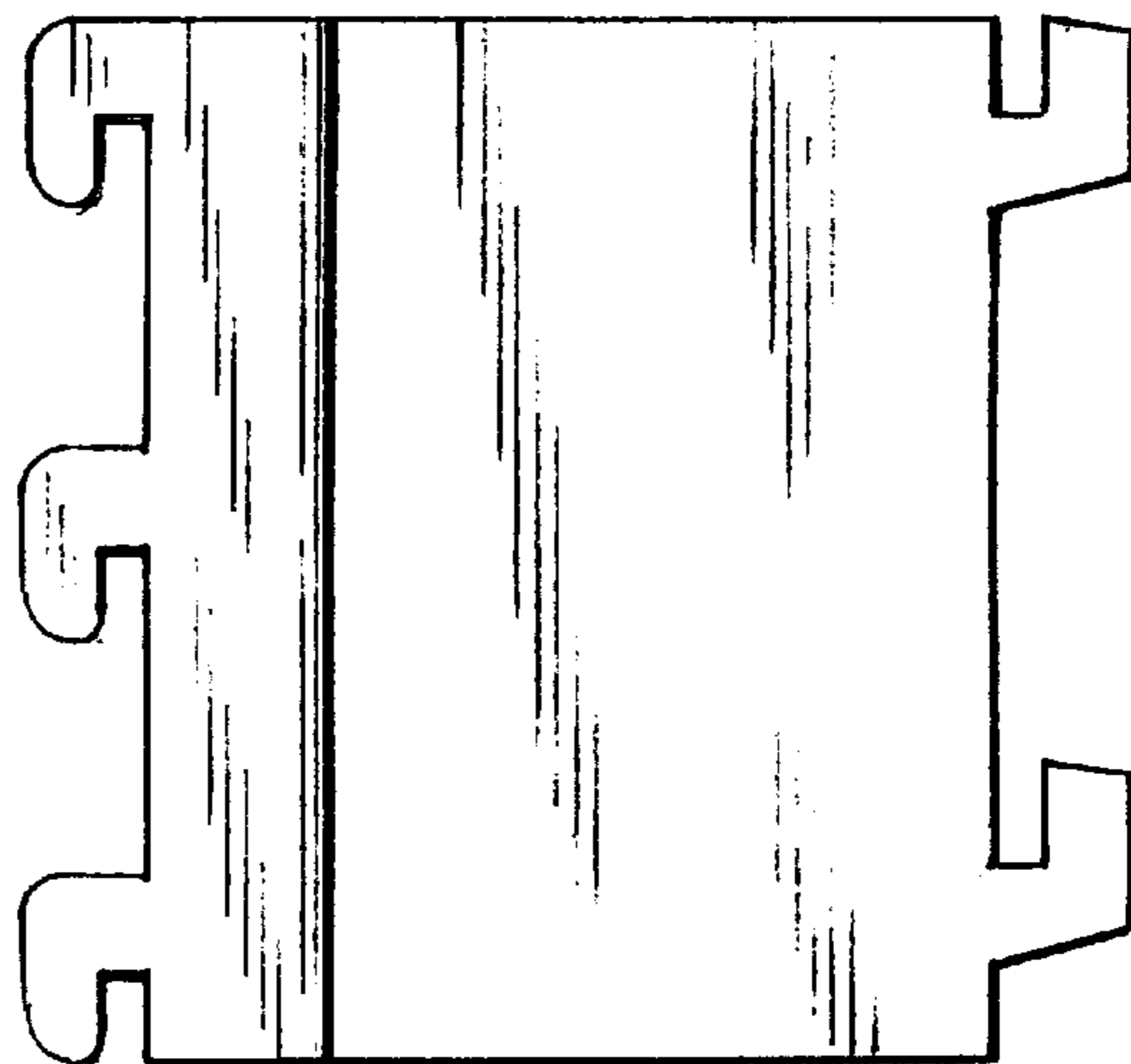
The jack and frame shown in broken lines in FIG. 1 denote the nature and environmental use of the design and are not part of the design.

**1 Claim, 2 Drawing Sheets**





*Fig. 1*



*Fig. 2*

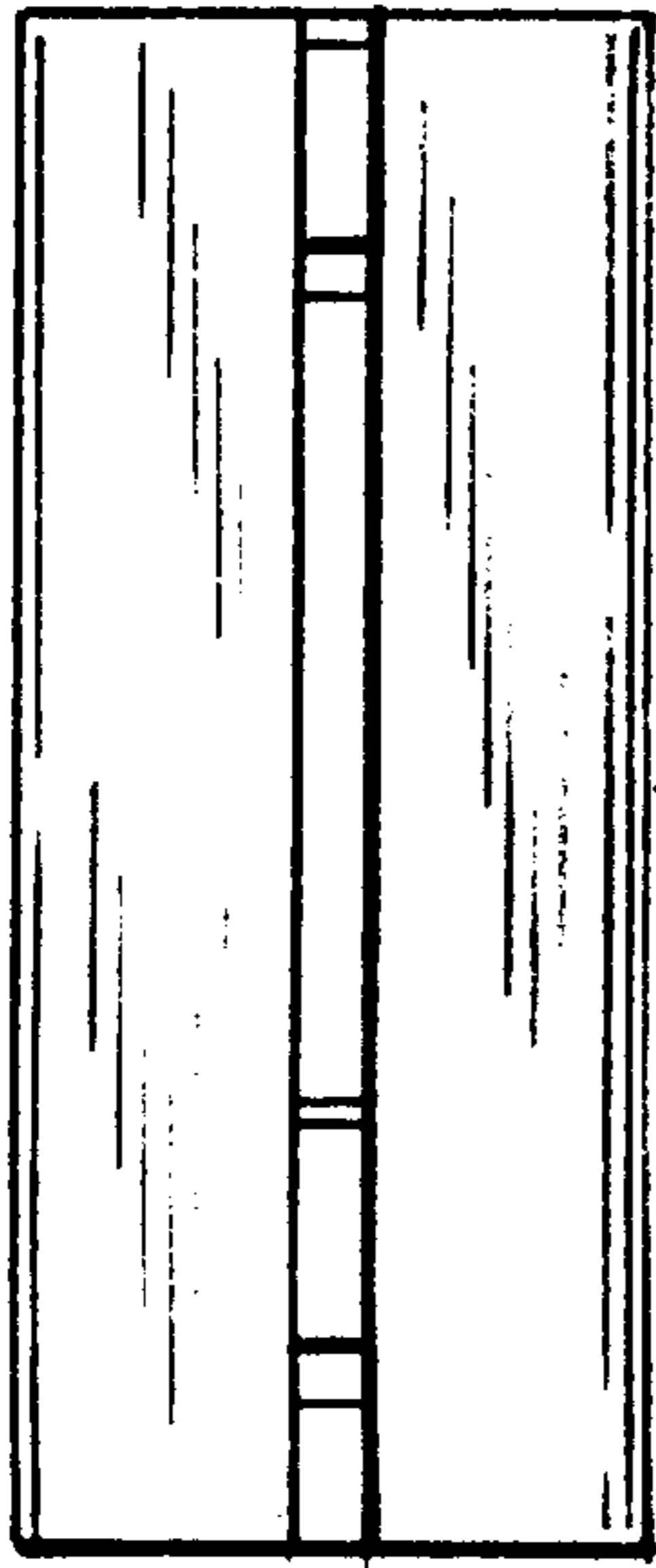


Fig. 3

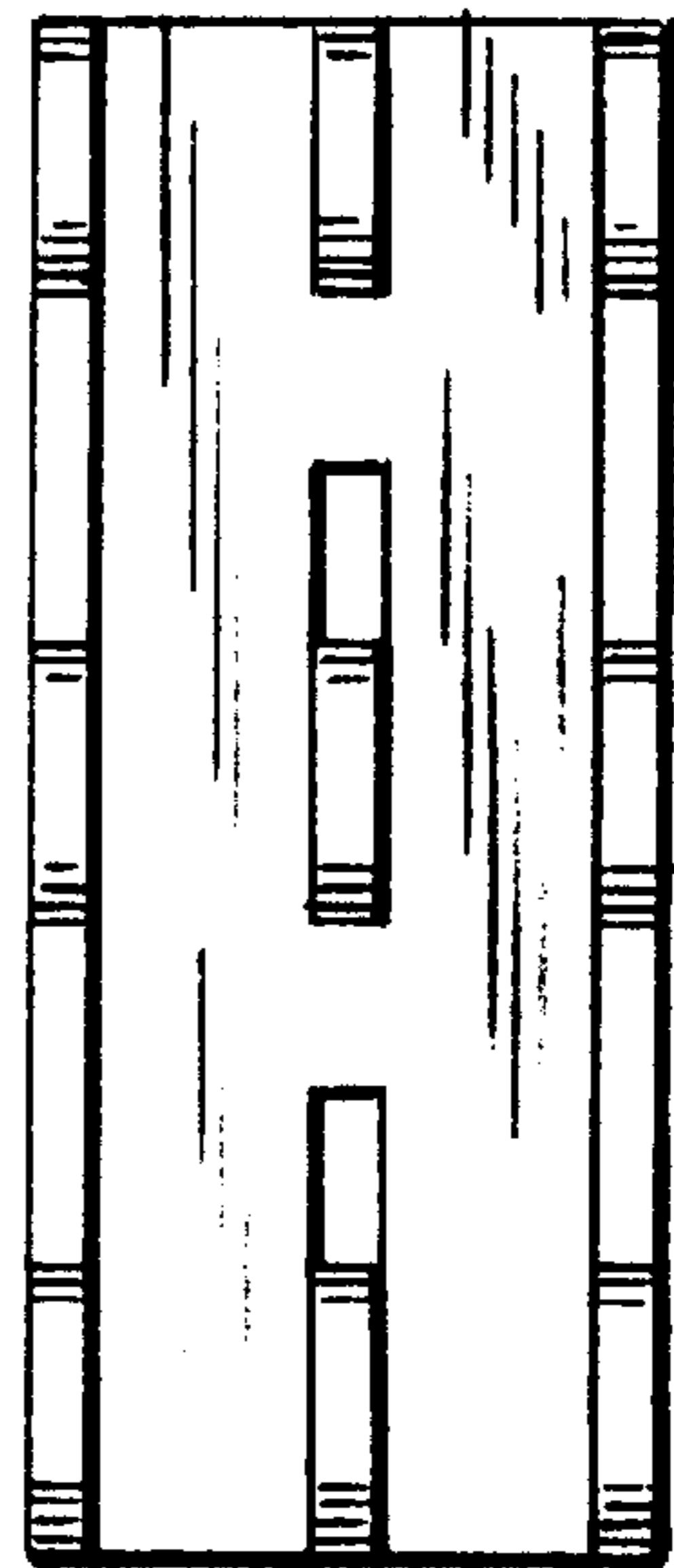


Fig. 4

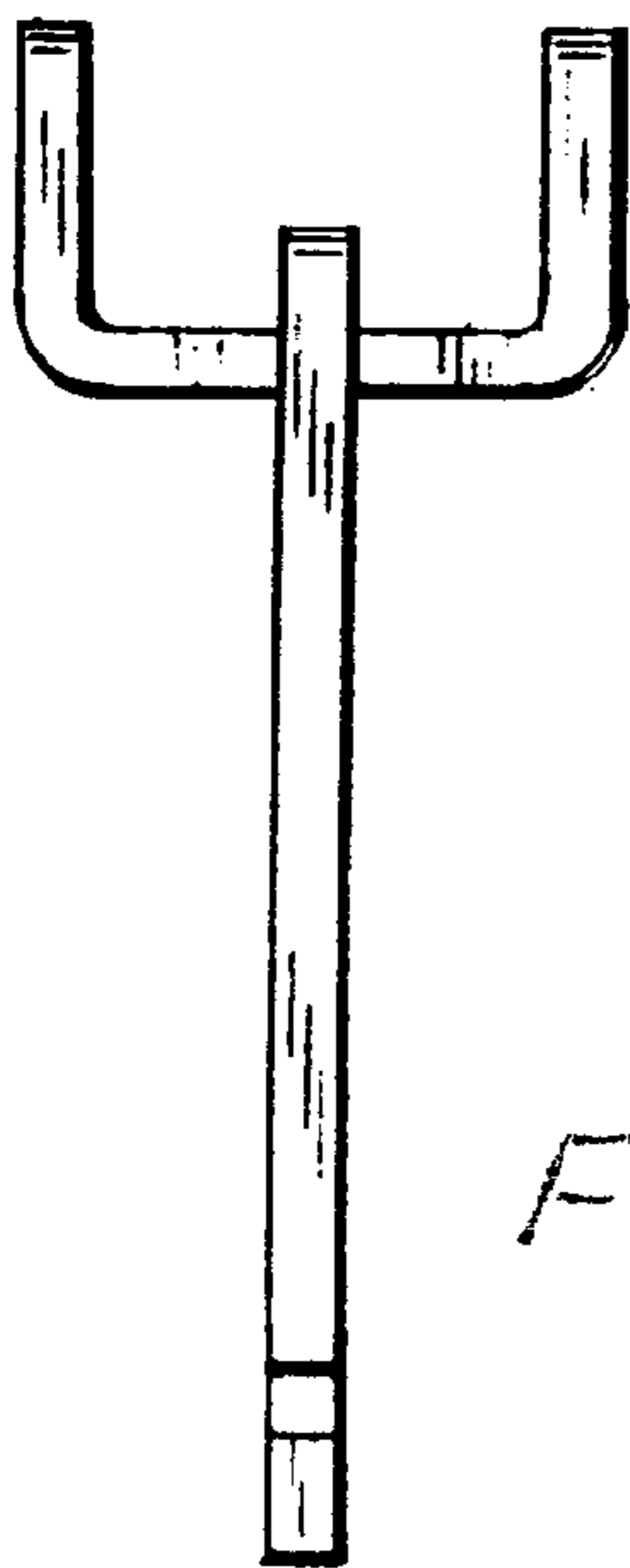


Fig. 5

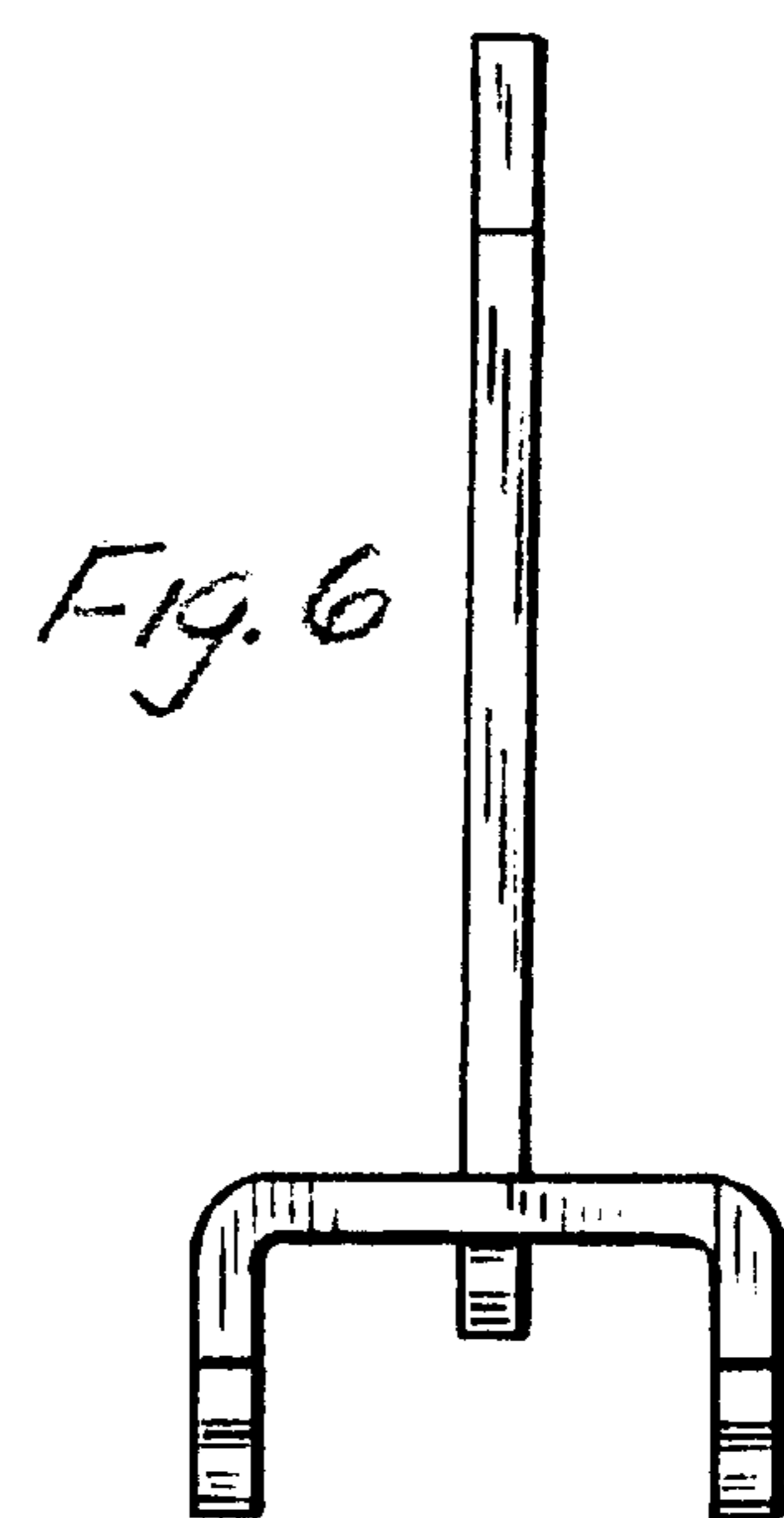


Fig. 6

UNITED STATES PATENT AND TRADEMARK OFFICE  
CERTIFICATE OF CORRECTION

PATENT NO. : Des. 416,471  
DATED : November 16, 1999  
INVENTOR(S) : Roy A. Wurdack

Page 1 of 3

It is certified that error appears in the above-identified patent and that said Letters Patent are hereby corrected as shown below:  
In the Drawing:

Figs. 1-6 should be replaced with the attached pages.

Signed and Sealed this  
Fifteenth Day of May, 2001

Attest:



NICHOLAS P. GODICI

Attesting Officer

Acting Director of the United States Patent and Trademark Office

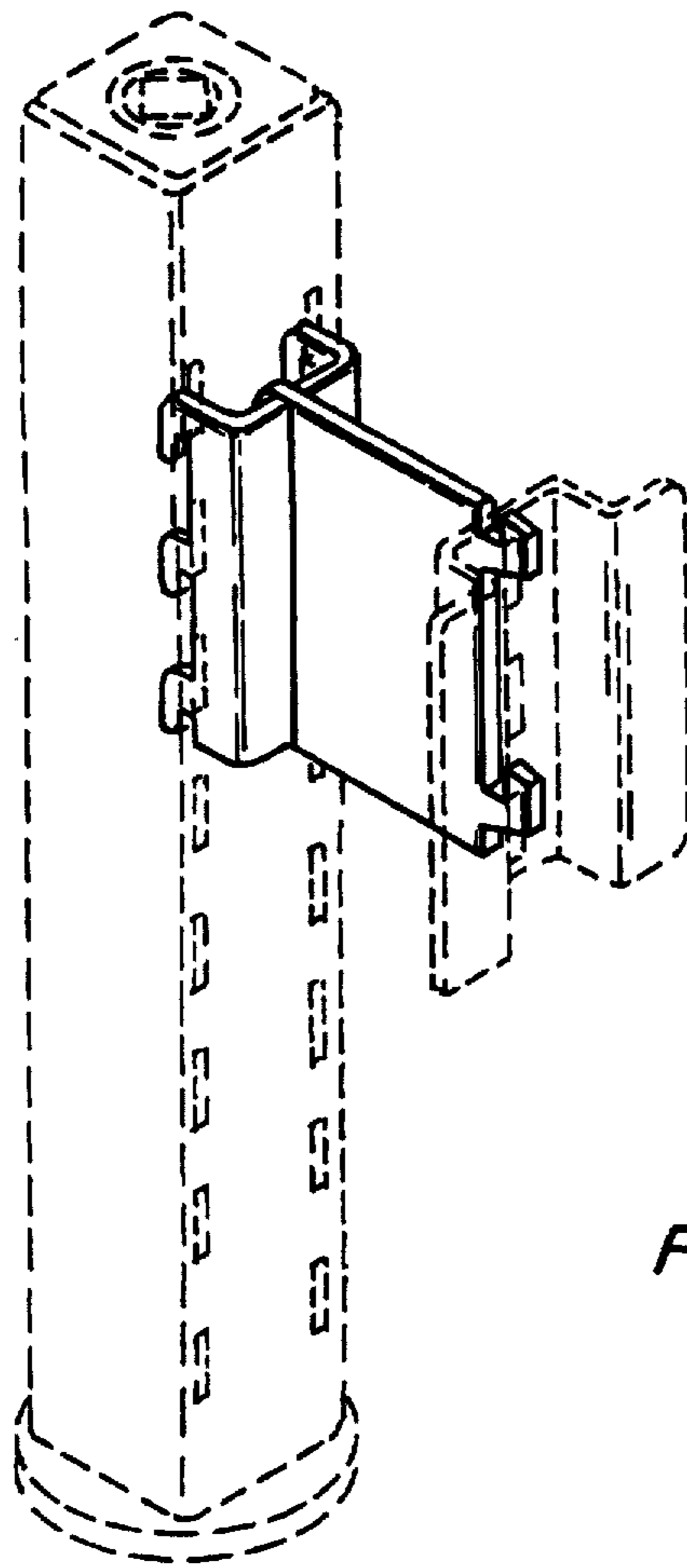


FIG. 1

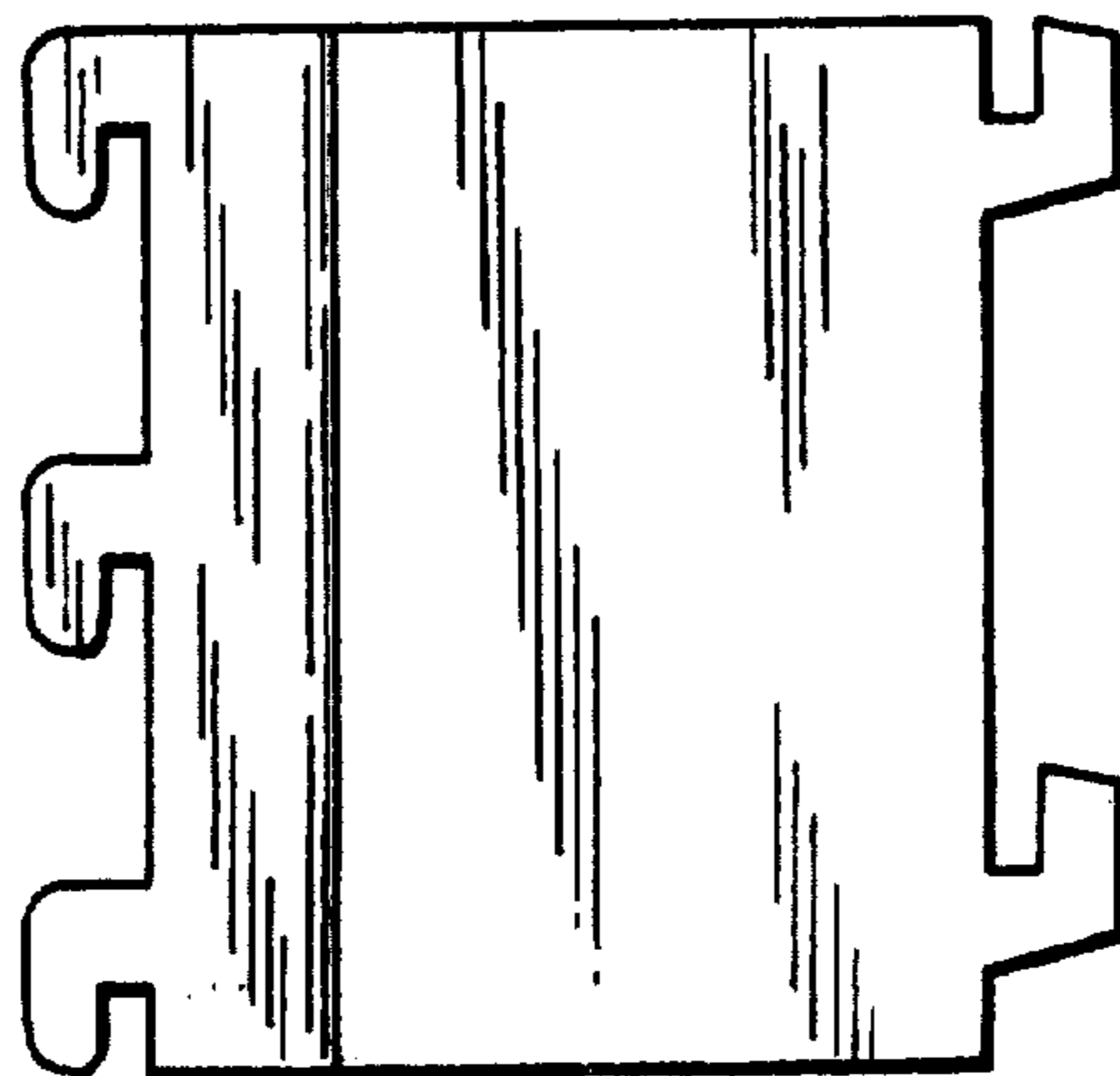


FIG. 2

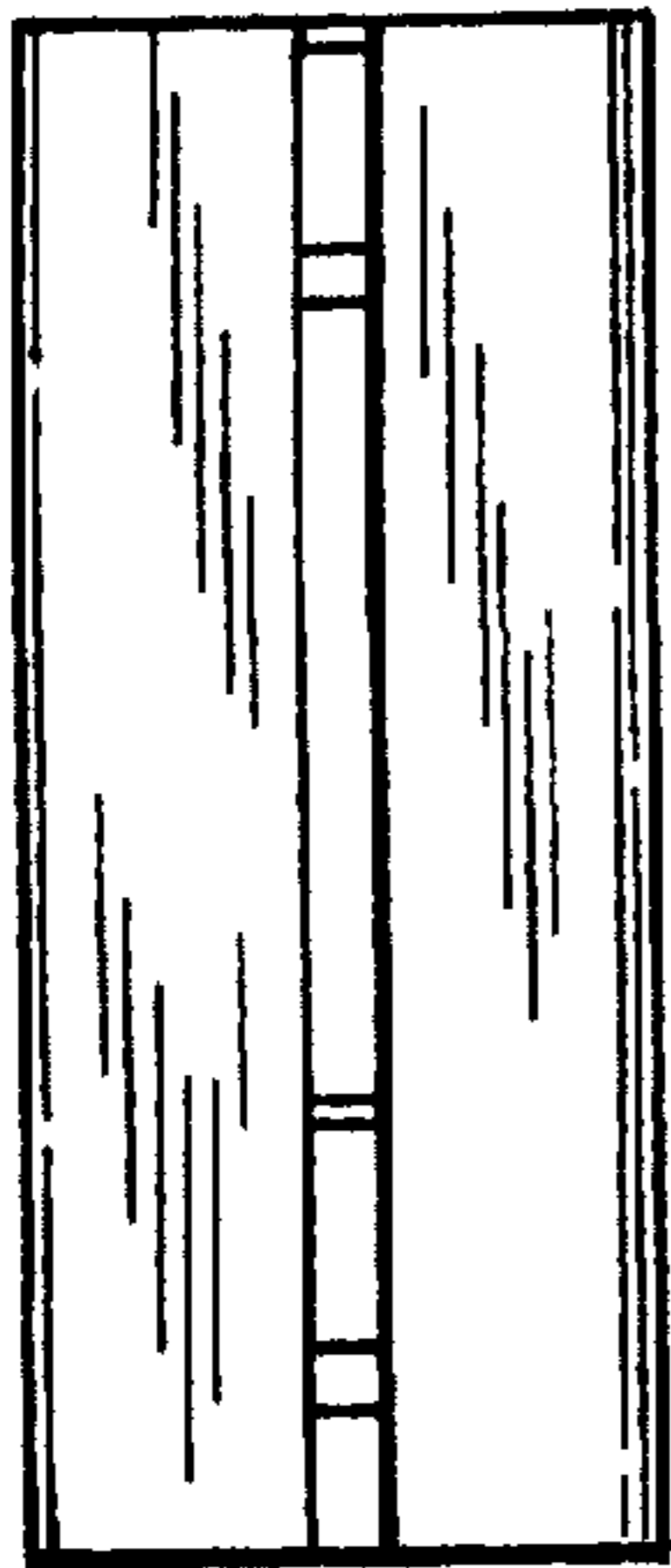


FIG. 3

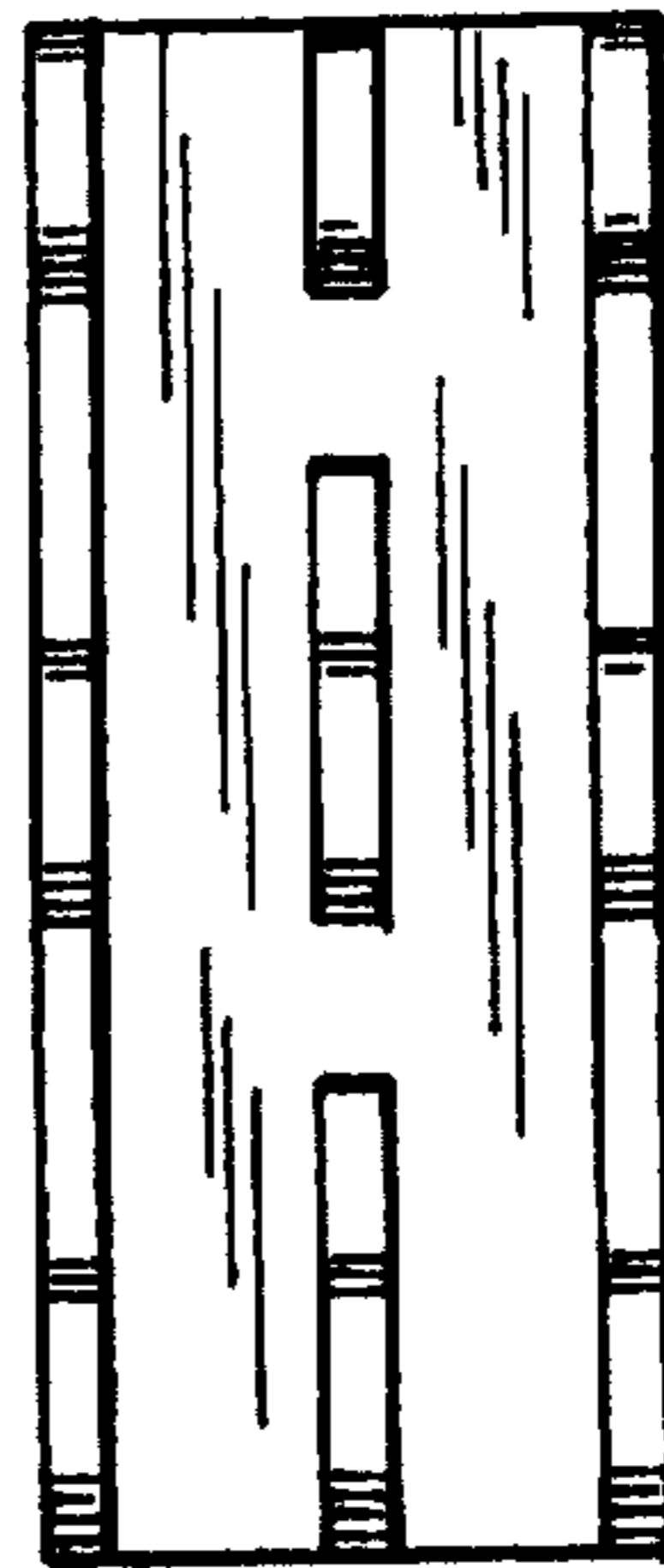


FIG. 4

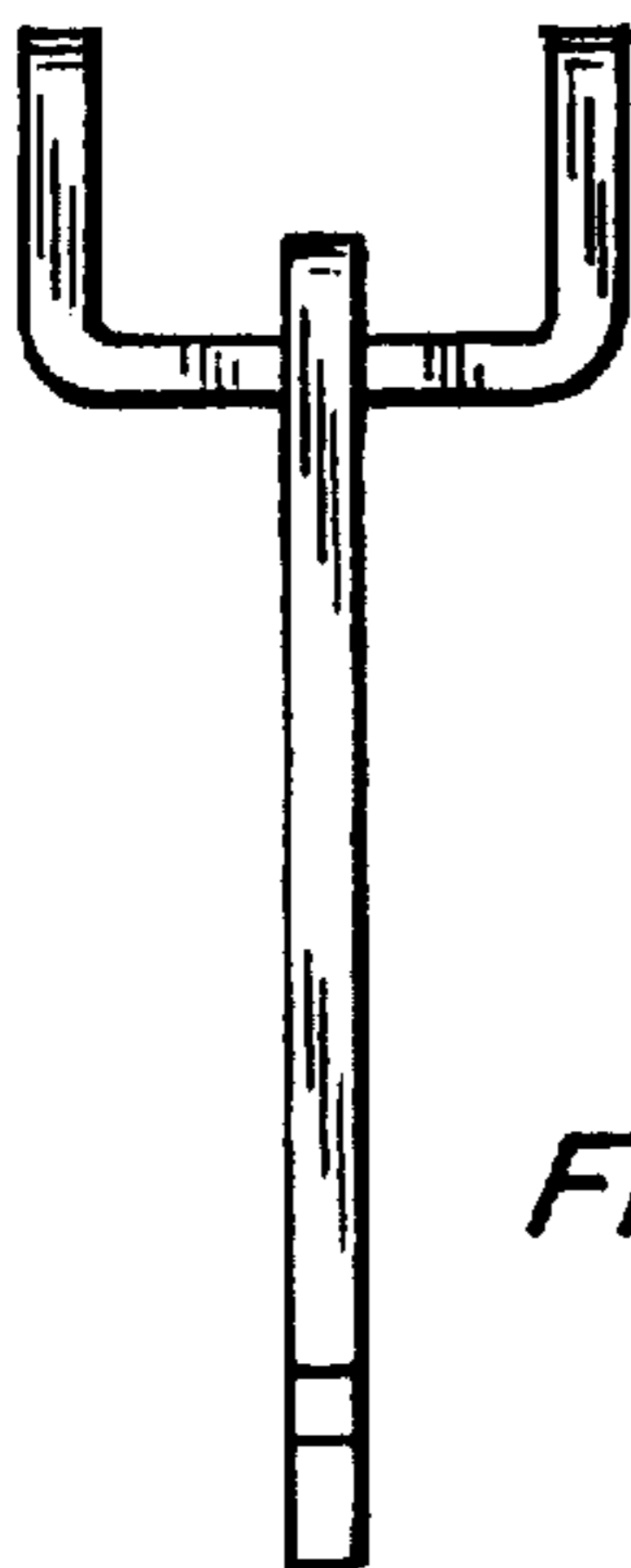


FIG. 5

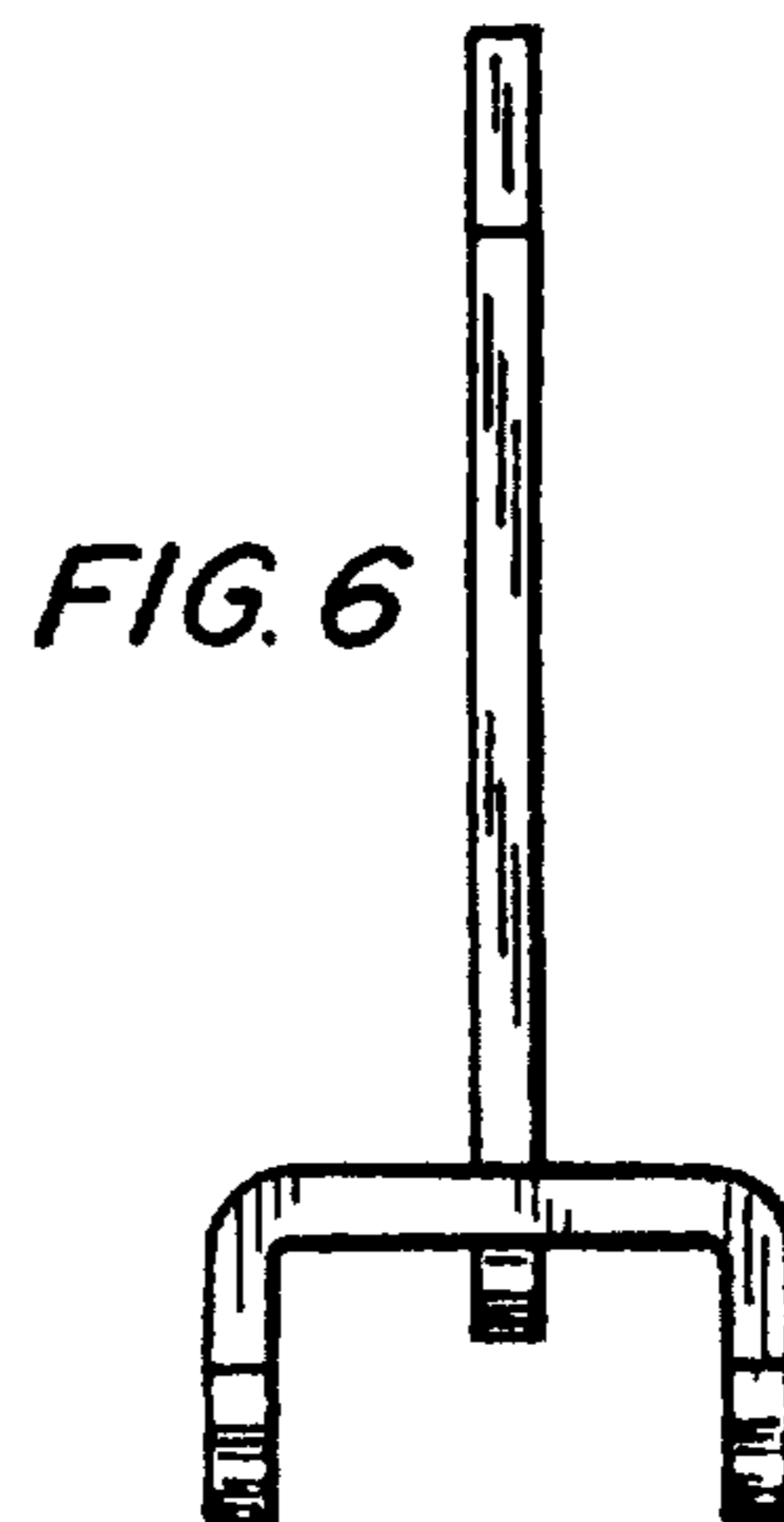


FIG. 6