



US00D416469S

**United States Patent** [19]  
**Lentz**

[11] **Patent Number: Des. 416,469**

[45] **Date of Patent: \*\* Nov. 16, 1999**

[54] **SURFACE MOUNT**

**DESCRIPTION**

[76] Inventor: **Blaine Lentz**, 21900 Marylee St., #262,  
Woodland Hills, Calif. 91367

[\*\*] Term: **14 Years**

[21] Appl. No.: **29/091,015**

[22] Filed: **Jul. 21, 1998**

[51] **LOC (6) Cl. .... 08-05**

[52] **U.S. Cl. .... D8/349**

[58] **Field of Search .... D8/349, 354, 382;**  
**24/442, 452, 306, 448**

FIG. 1 is an exploded perspective view of a surface mount showing my new design;

FIG. 2 is a front elevational view of a first part thereof;

FIG. 3 is a front elevational view of a second part thereof;

FIG. 4 is a top plan view of both elements;

FIG. 5 is a right side elevational view thereof, the left side elevational view being a mirror image of the right side elevational view;

FIG. 6 is a rear elevational view of the first part thereof;

FIG. 7 is a rear elevational view of the second part thereof;

FIG. 8 is an environmental side view of the claimed article fully assembled;

FIG. 9 is an environmental opposite side view; and,

FIG. 10 is an enlarged view representative of a portion of FIG. 8 or of FIG. 9.

The broken lines showing of partial wall structure and other structure in FIGS. 1, 8 and 9 is for illustrative purposes only and forms no part of the claimed design.

[56] **References Cited**

**U.S. PATENT DOCUMENTS**

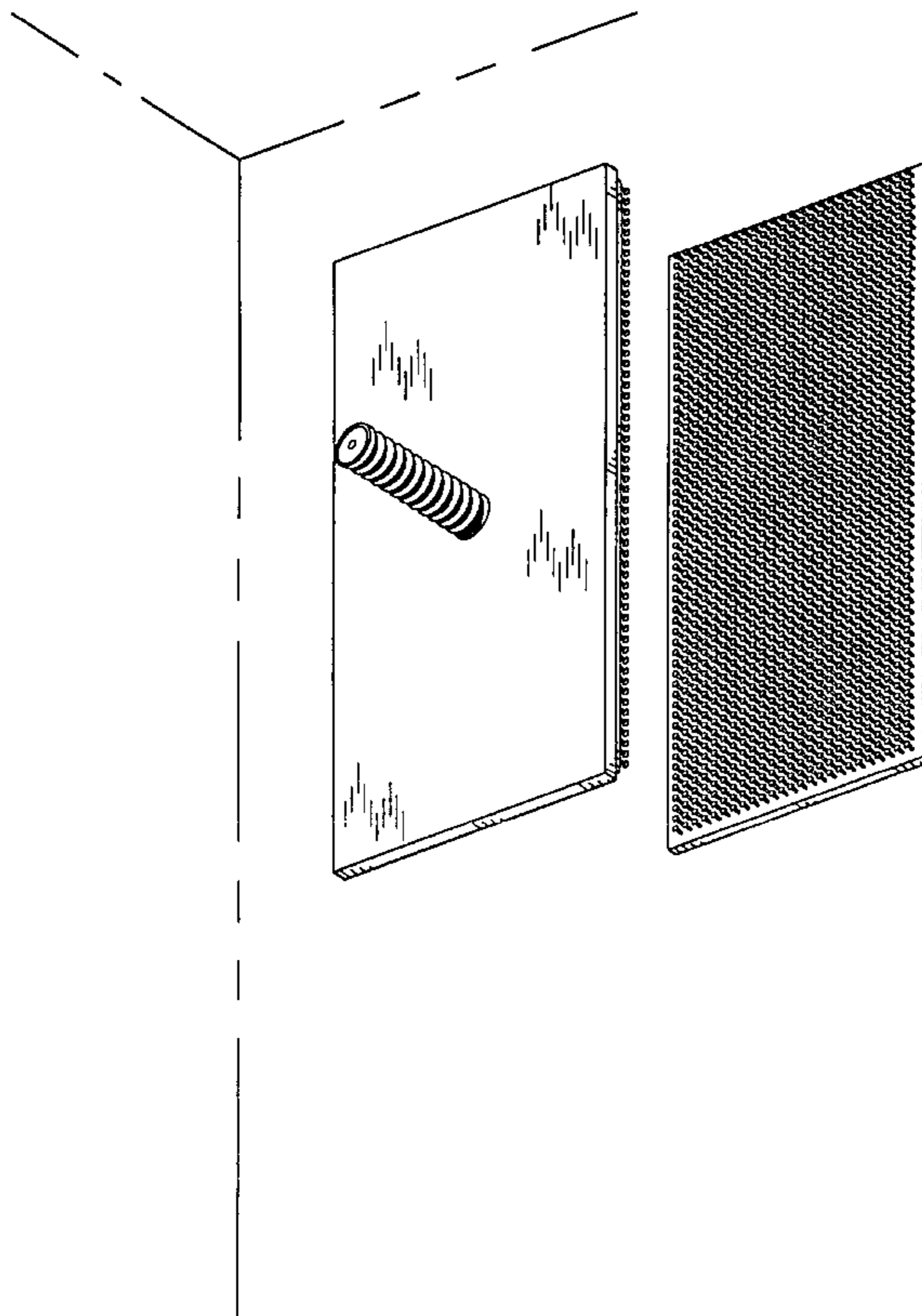
- D. 235,308 6/1975 Clarke ..... D8/373
- D. 358,758 5/1995 Akeno et al. .... D8/373 X
- 5,595,567 1/1997 King et al. .... 24/442 X

*Primary Examiner*—Holly Baynham  
*Attorney, Agent, or Firm*—Gene Scott; Patent Law & Venture Group

[57] **CLAIM**

The ornamental design for a “surface mount,” as shown and described.

**1 Claim, 5 Drawing Sheets**



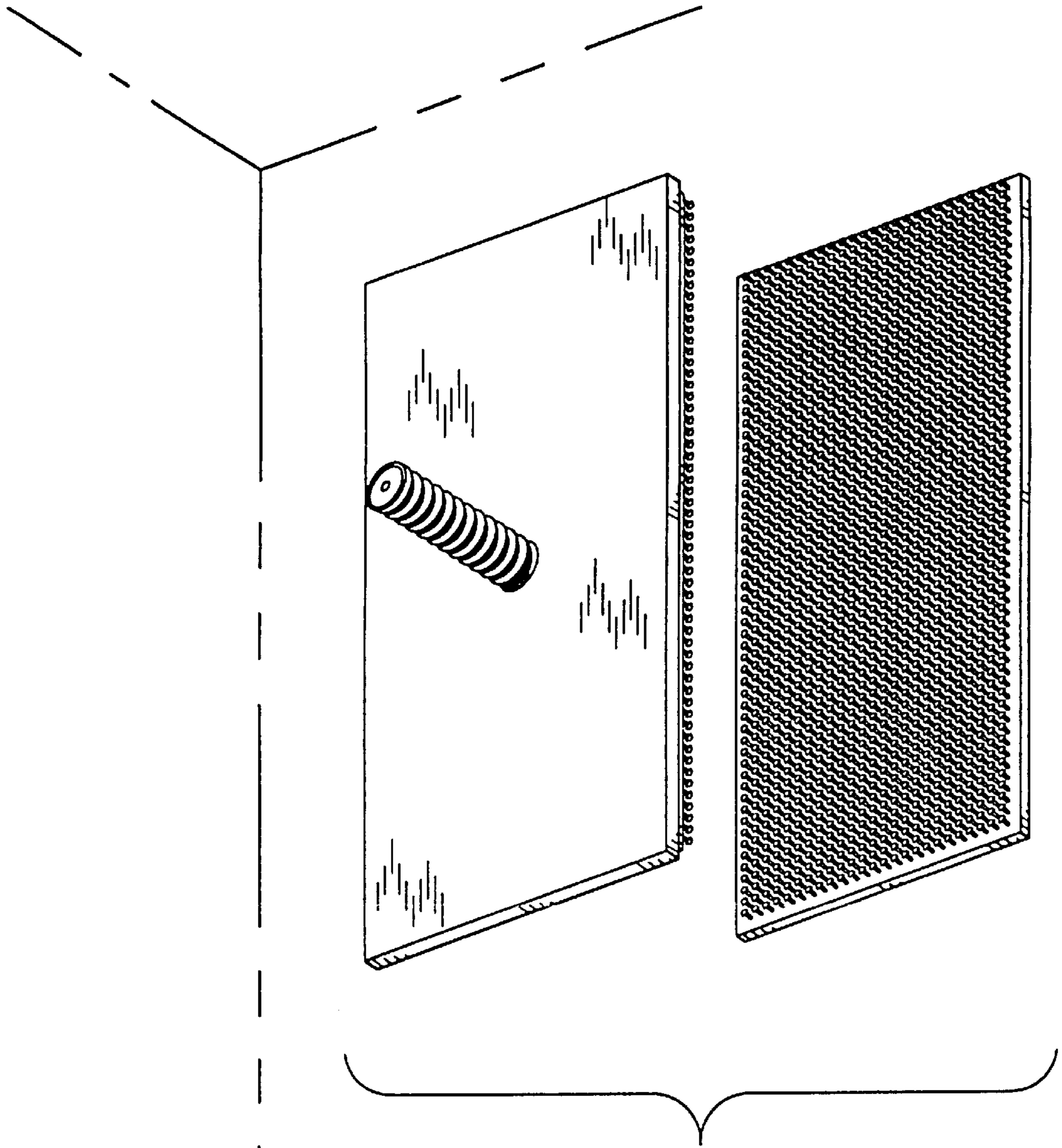


FIG. 1

FIG. 4

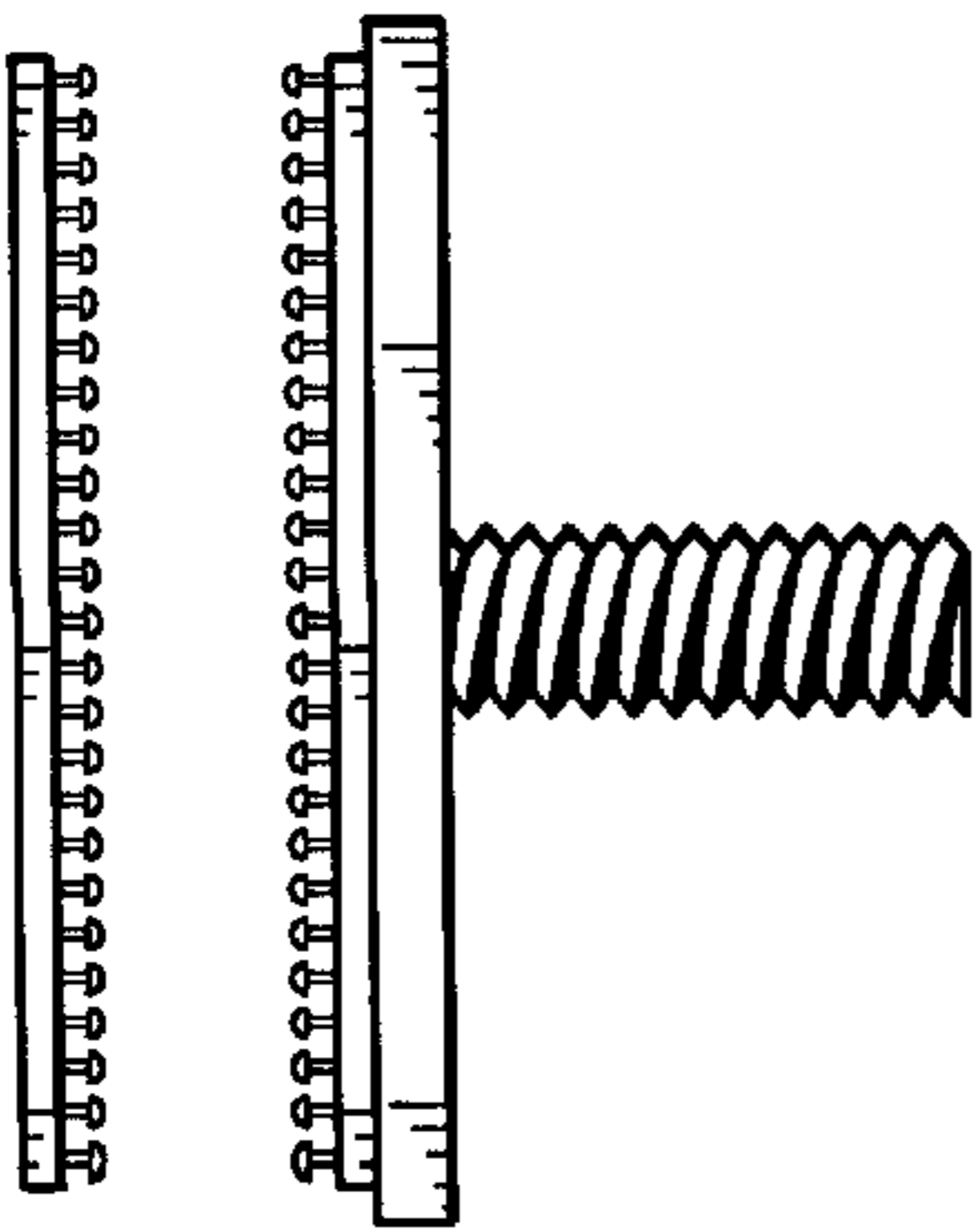


FIG. 5

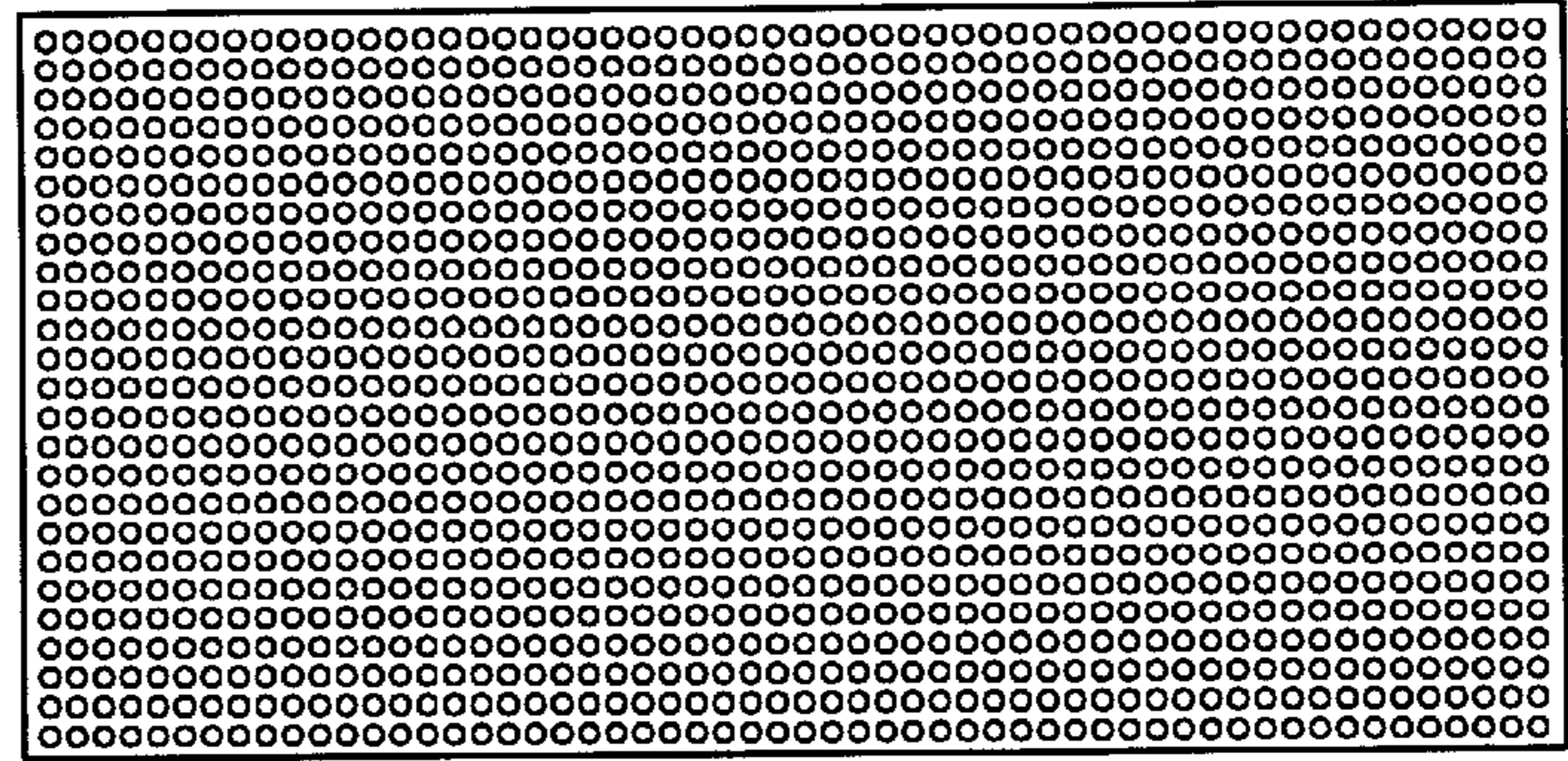
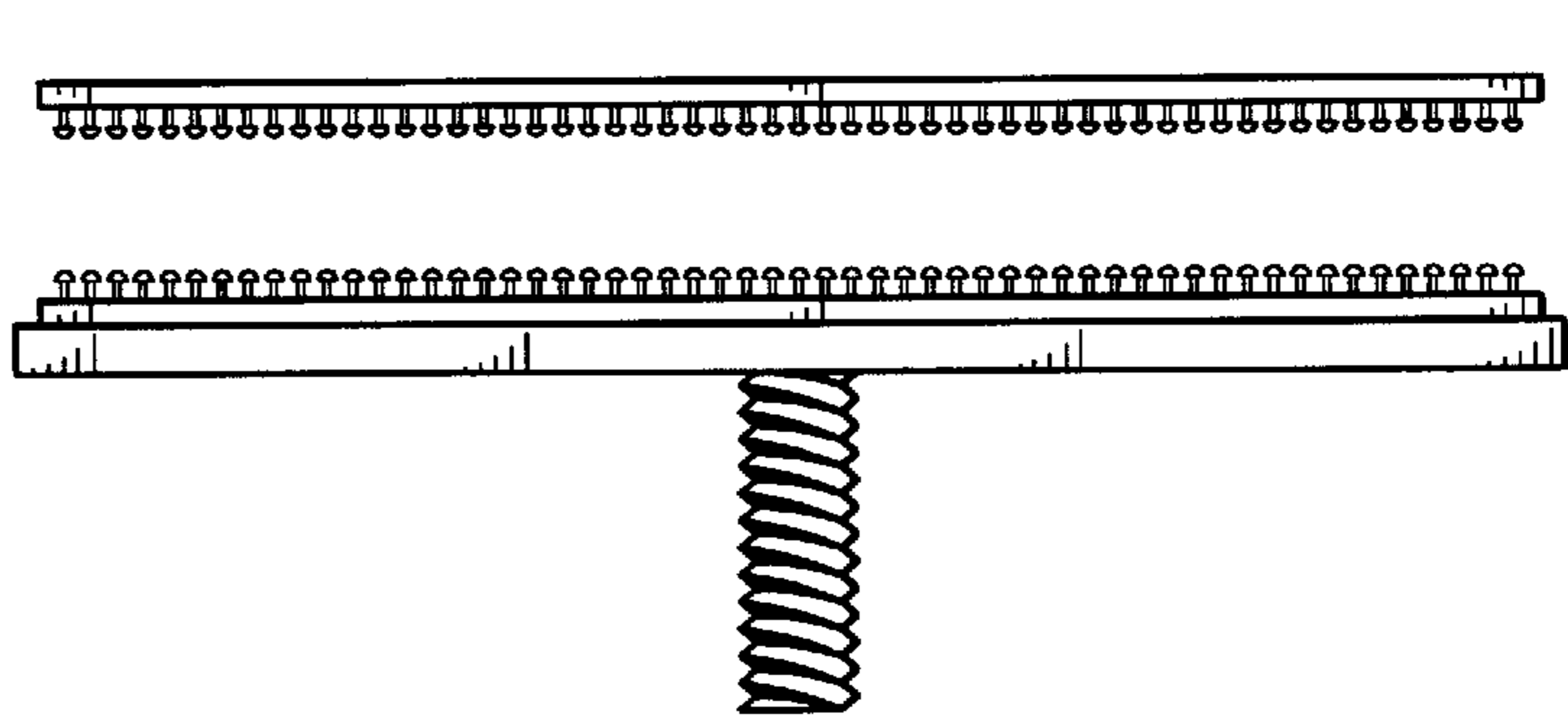


FIG. 2

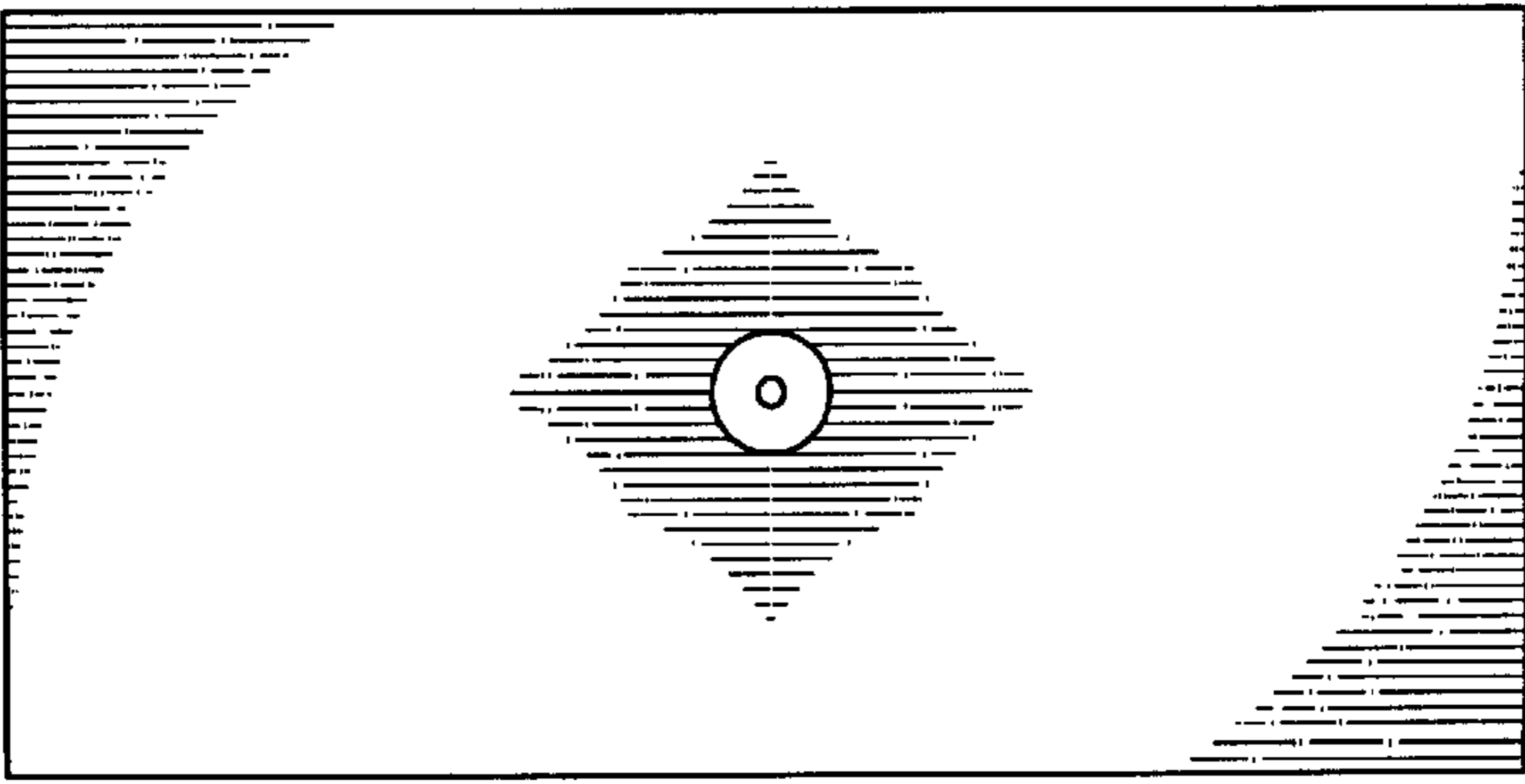


FIG. 3

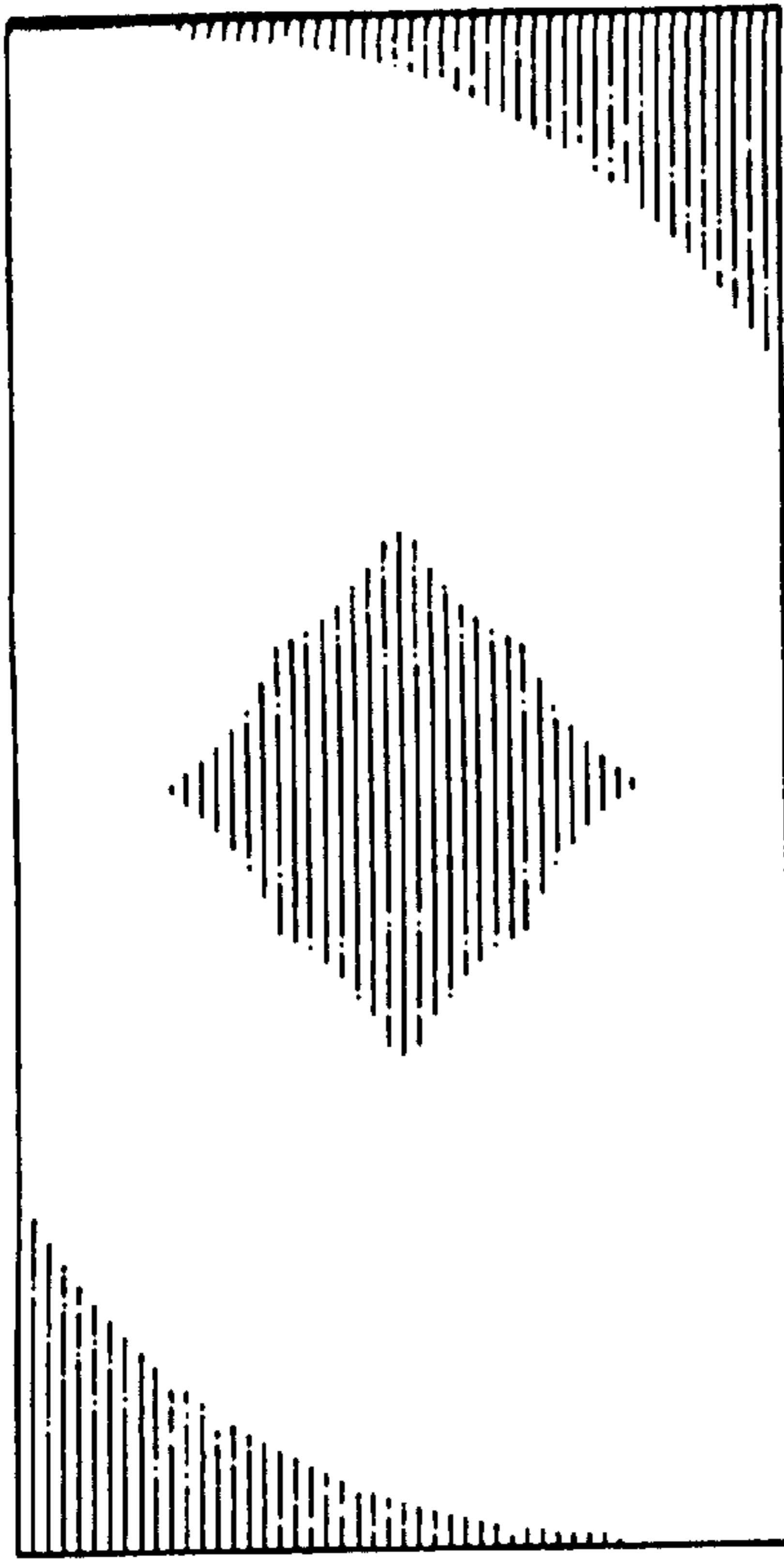


FIG. 6

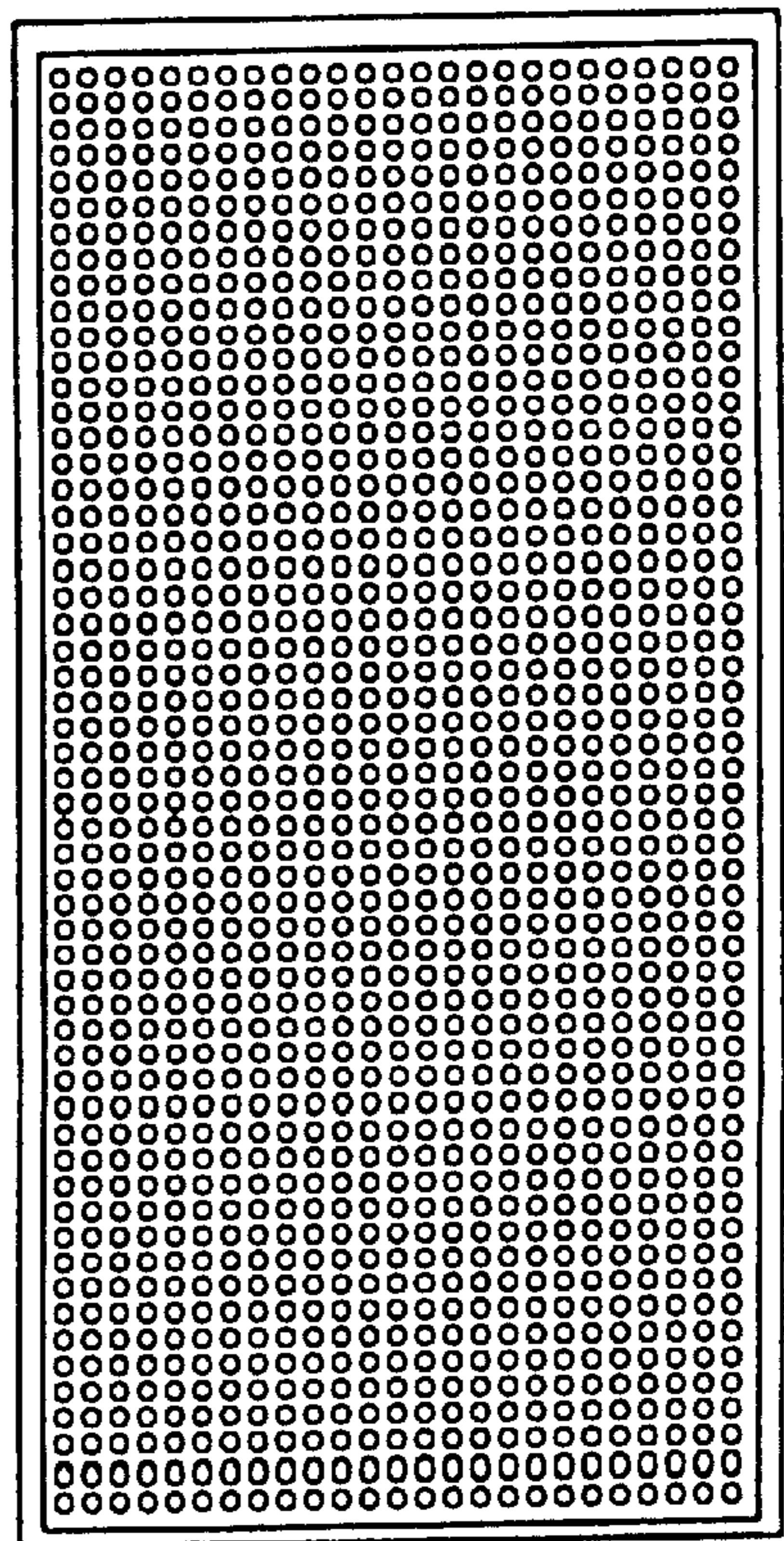


FIG. 7

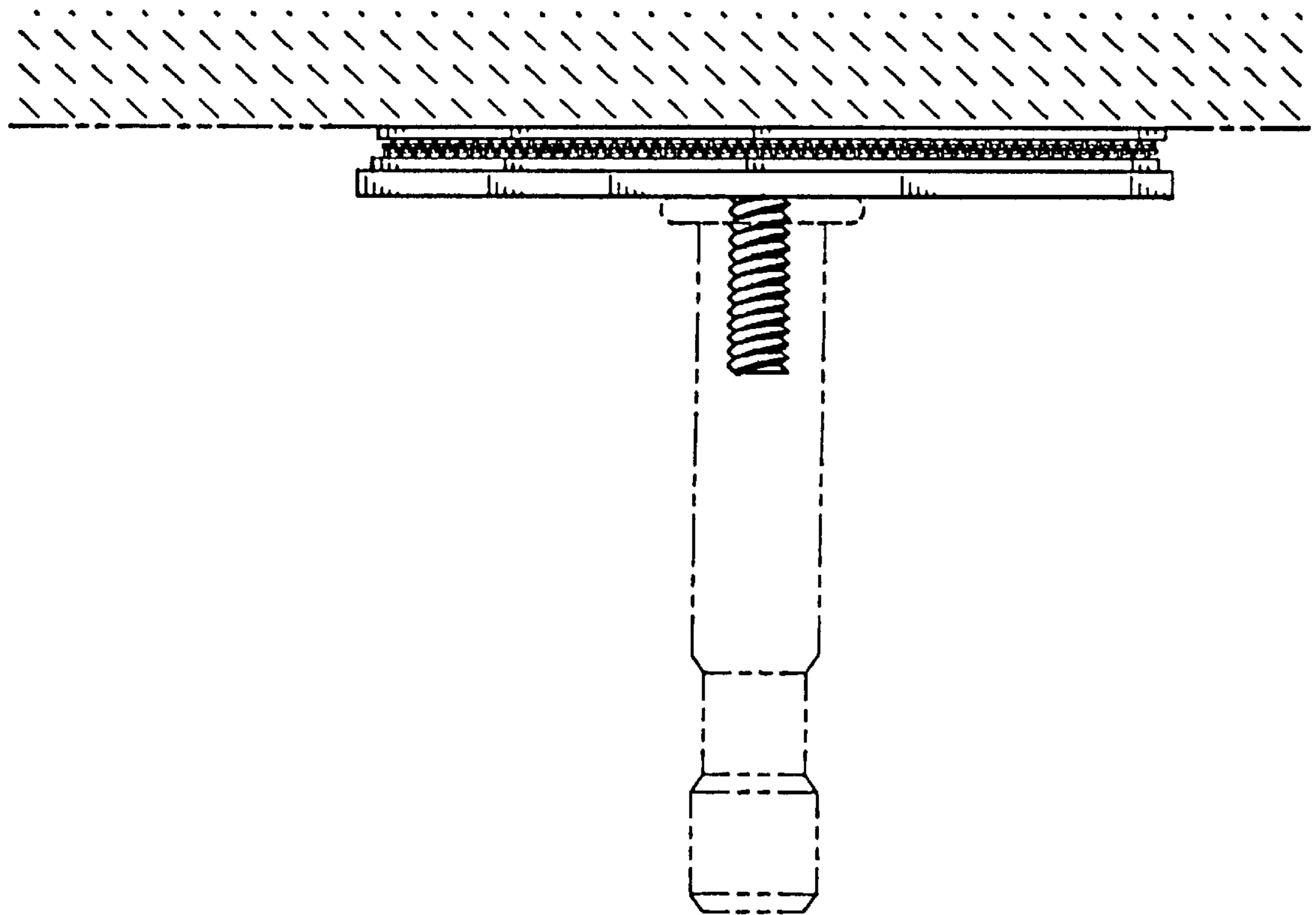


FIG. 8

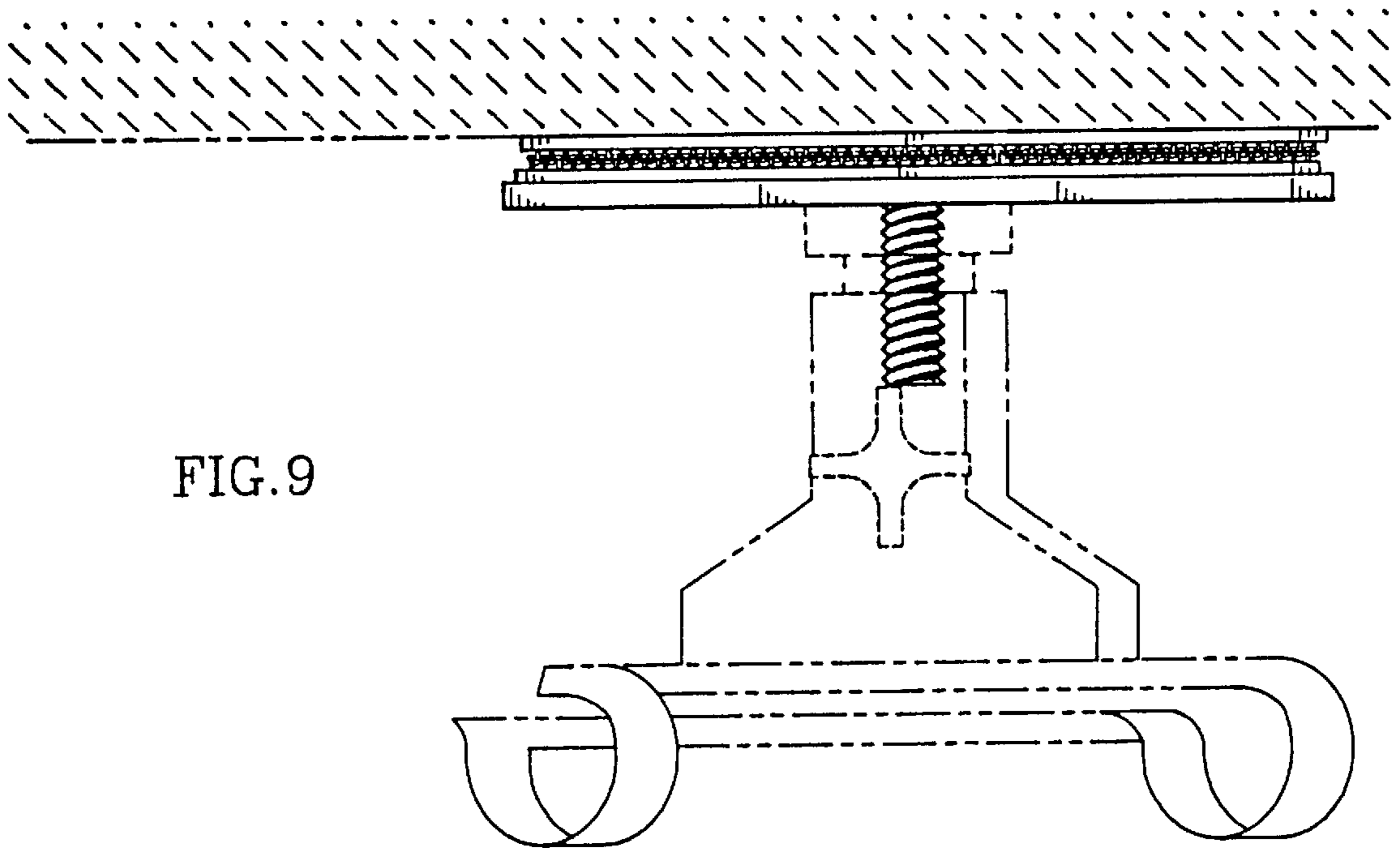


FIG. 9

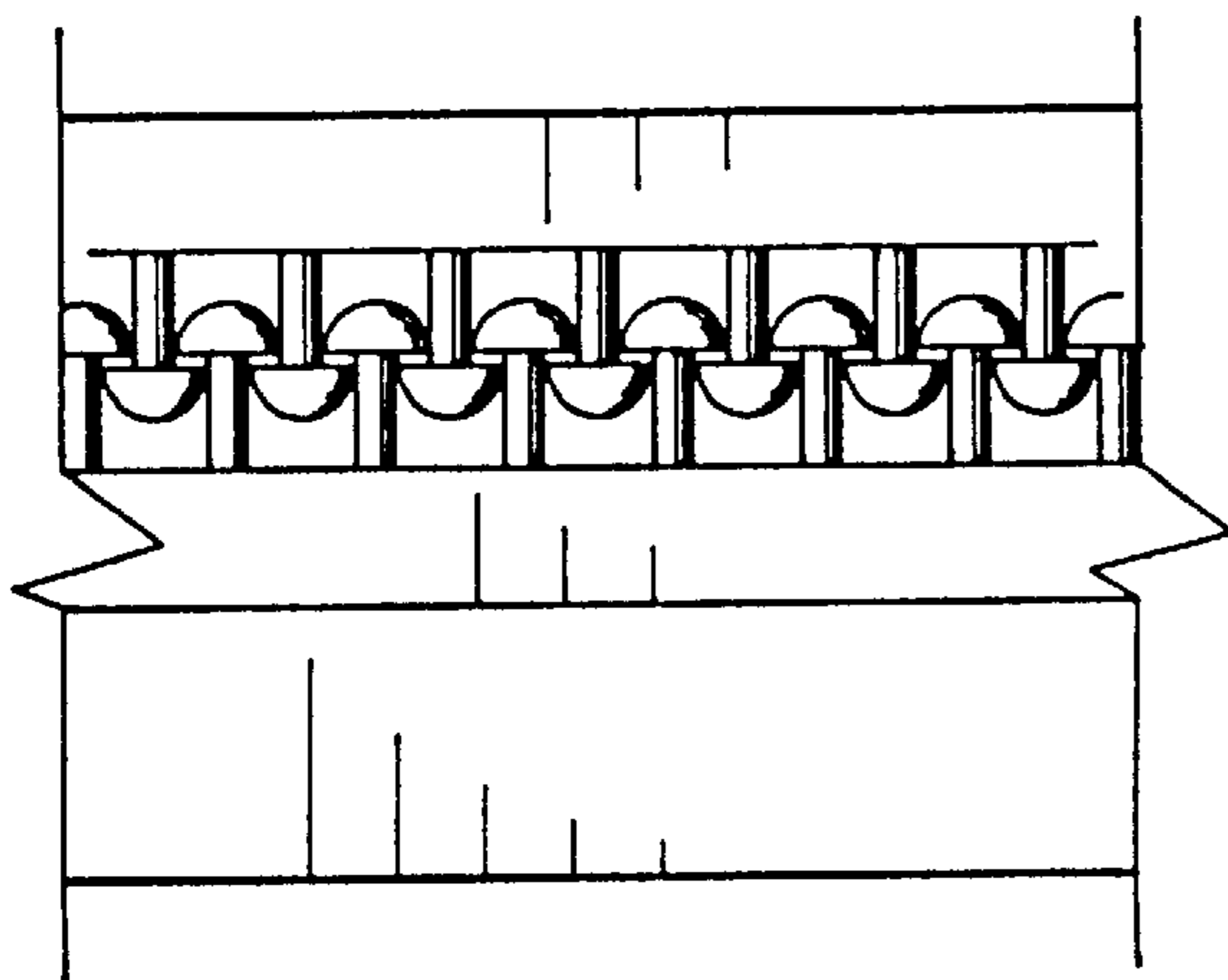


FIG. 10