



US00D416468S

# United States Patent [19] Schultz

[11] Patent Number: Des. 416,468

[45] Date of Patent: \*\* Nov. 16, 1999

[54] TILT-LATCH

[75] Inventor: Steven E. Schultz, Demotte, Ind.

[73] Assignee: Ashland Products, Inc., Lowell, Ind.

[\*\*] Term: 14 Years

[21] Appl. No.: 29/091,078

[22] Filed: Jul. 22, 1998

[51] LOC (6) Cl. .... 08-07

[52] U.S. Cl. .... D8/343

[58] Field of Search ..... D8/330, 331, 336,  
D8/338, 339, 347, 343; 292/343, 137, 163,  
164, DIG. 20, DIG. 35, DIG. 46, DIG. 47;  
49/449, 504

[56] References Cited

### U.S. PATENT DOCUMENTS

16,228	12/1856	Copeland .	
D. 313,161	12/1990	Westphal .....	D8/343
D. 371,502	7/1996	Morris .....	D8/331 X
D. 380,137	6/1997	Carlson et al. ....	D8/343
D. 380,370	7/1997	Carlson et al. ....	D8/343
1,781,729	11/1930	Major .	
2,568,273	9/1951	Clark .	
2,965,935	12/1960	Olsen .	
3,080,621	3/1963	Mendelsohn .	
3,122,797	3/1964	Segre .	
4,167,835	9/1979	Nobes et al. .	
4,400,026	8/1983	Brown, Jr. .	
4,475,311	10/1984	Gibson .....	49/449 X
4,553,353	11/1985	Simpson .....	49/449 X
4,578,903	4/1986	Simpson .	
4,581,850	4/1986	Simpson .	
4,622,778	11/1986	Simpson .	
4,640,048	2/1987	Winner et al. ....	49/449 X
4,669,765	6/1987	Ullman .	

4,790,579	12/1988	Maxwell et al. .	
4,791,756	12/1988	Simpson .....	49/449 X
4,824,154	4/1989	Simpson .	
4,837,975	6/1989	Simpson .	
4,901,475	2/1990	Simpson .....	49/449 X
4,917,413	4/1990	Jason et al. .	
5,028,083	7/1991	Mischenko .	
5,068,932	12/1991	Chang .	
5,096,240	3/1992	Schultz .	
5,121,951	6/1992	Harbom et al. .	
5,139,291	8/1992	Jason .	
5,165,737	11/1992	Riegelman .	
5,618,067	4/1997	Carlson et al. .	
5,669,639	9/1997	Lawrence .	
5,671,958	9/1997	Szapucki et al. .	

Primary Examiner—Brian N. Vinson  
Attorney, Agent, or Firm—Wallenstein & Wagner, Ltd.

### [57] CLAIM

I claim the ornamental design for a tilt-latch, as shown and described.

### DESCRIPTION

FIG. 1 is a perspective view of a tilt-latch, embodying the new design;  
FIG. 2 is a front elevational view of the tilt-latch;  
FIG. 3 is a rear elevational view of the tilt-latch;  
FIG. 4 is a top plan view of the tilt-latch;  
FIG. 5 is a side elevational view of the tilt-latch;  
FIG. 6 is an opposite side elevational view of the tilt-latch;  
and,  
FIG. 7 is a perspective view of an alternate embodiment of the tilt-latch.  
The undisclosed bottom portion is plain and unornamented and the broken-line disclosure is for illustrative purposes only and forms no part of the claimed design.

1 Claim, 1 Drawing Sheet

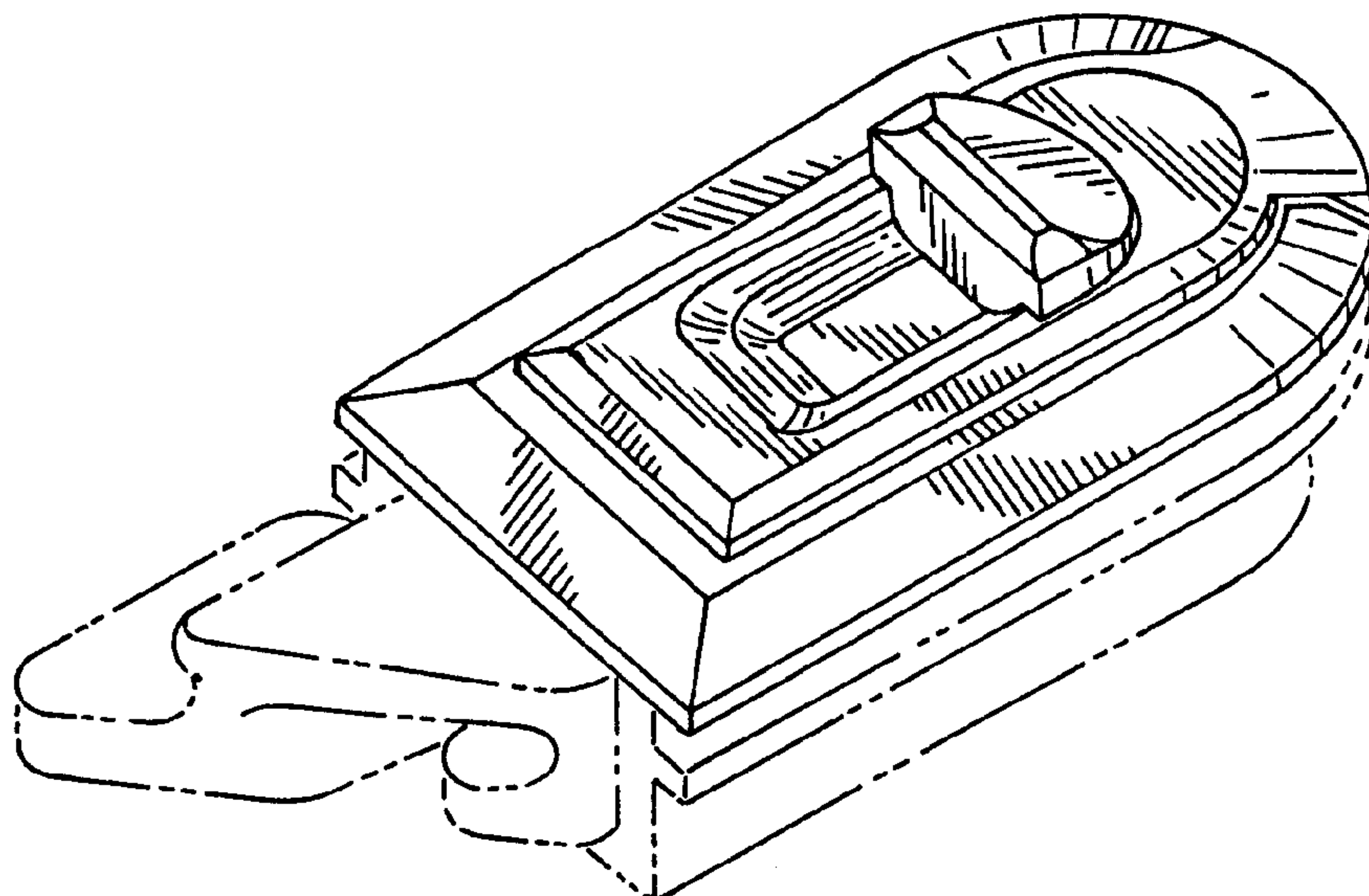


FIG. 1

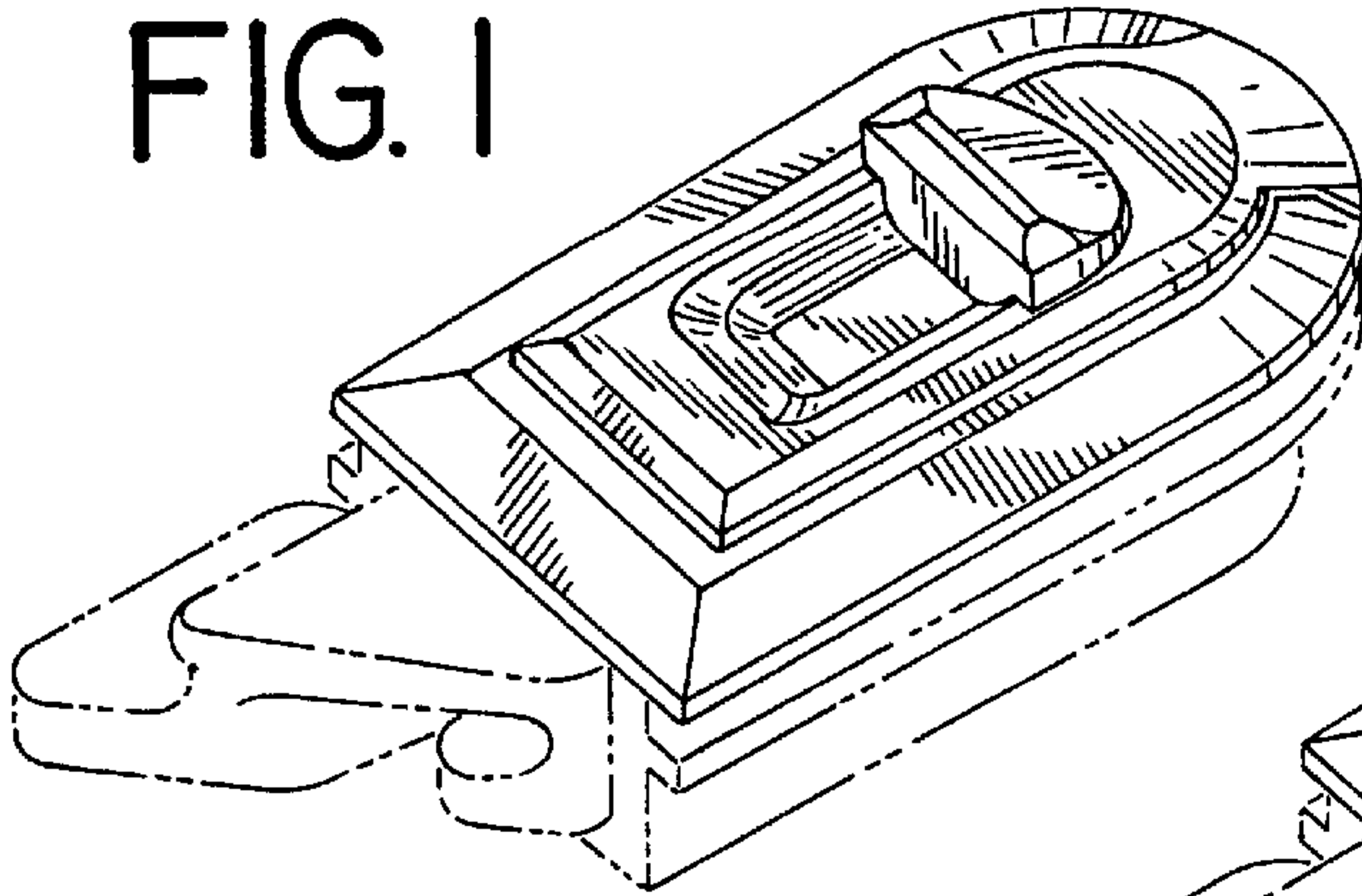


FIG. 7

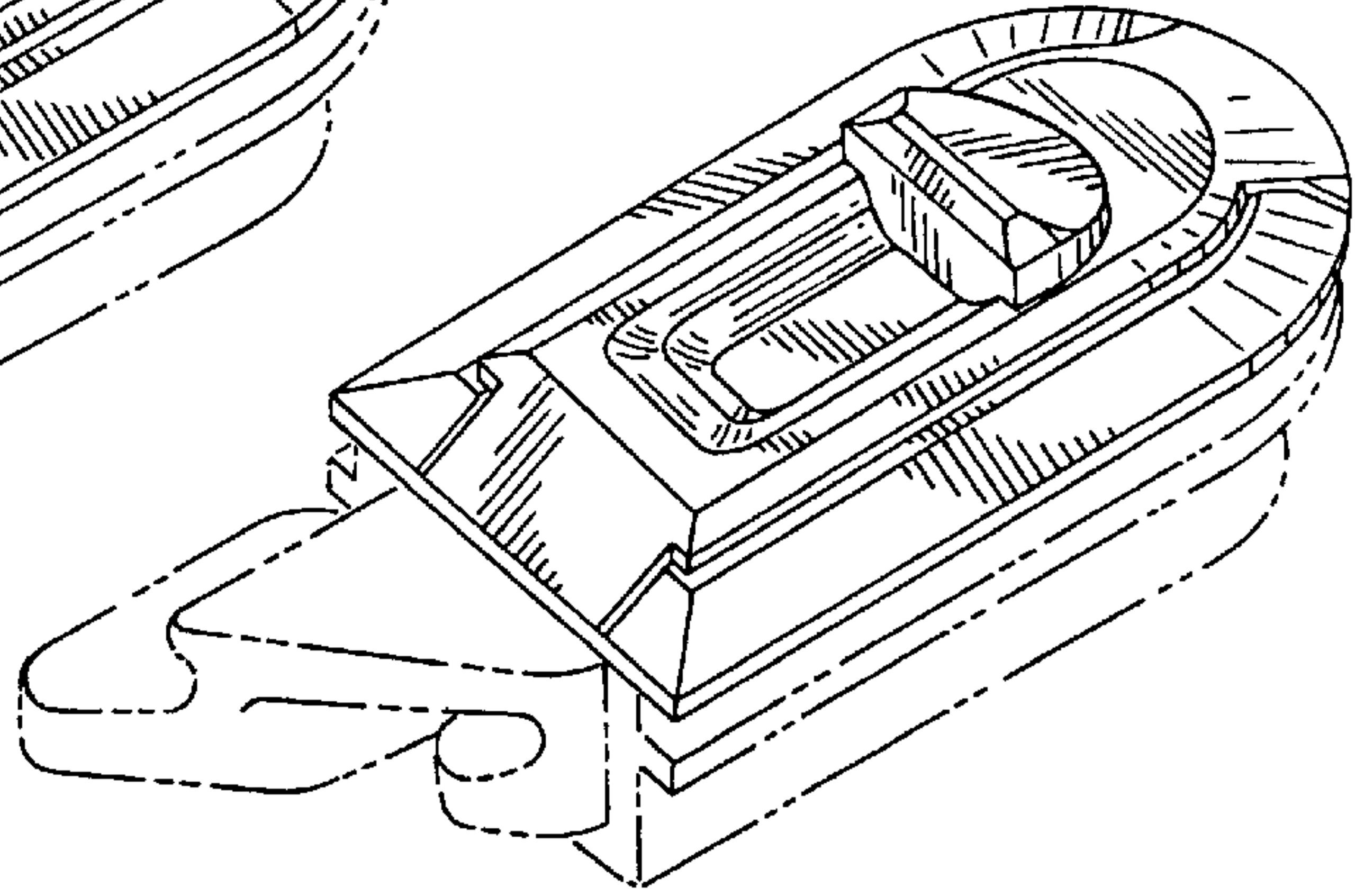


FIG. 4

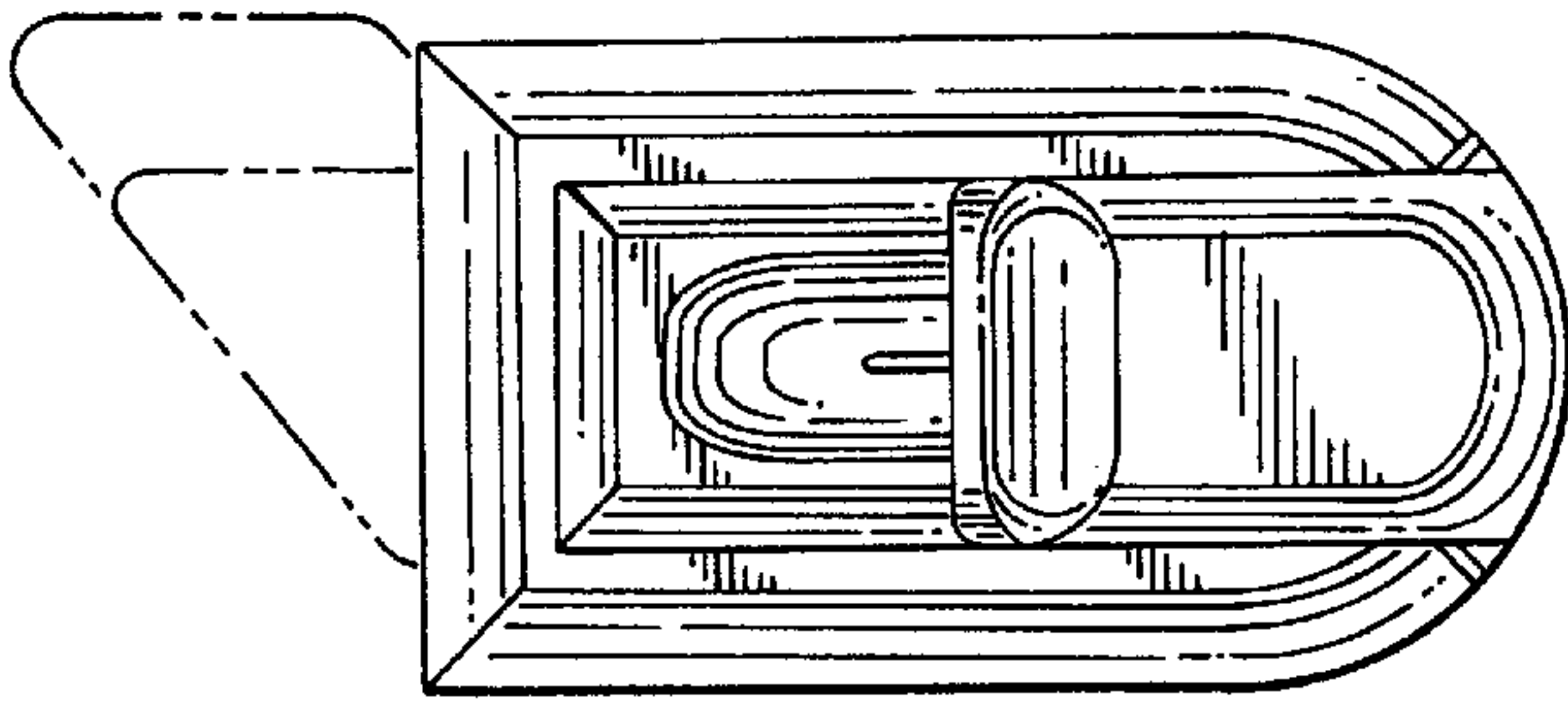


FIG. 2

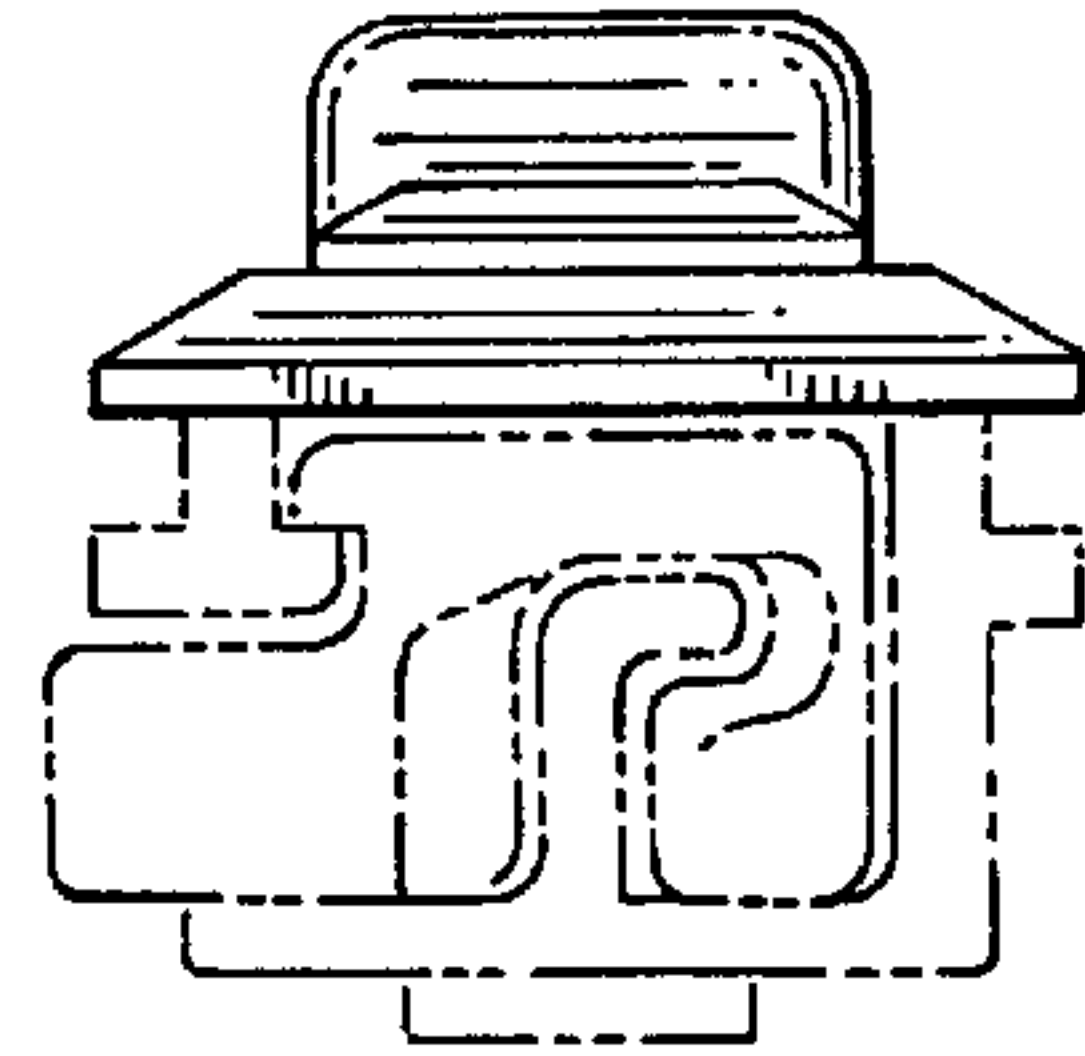


FIG. 3

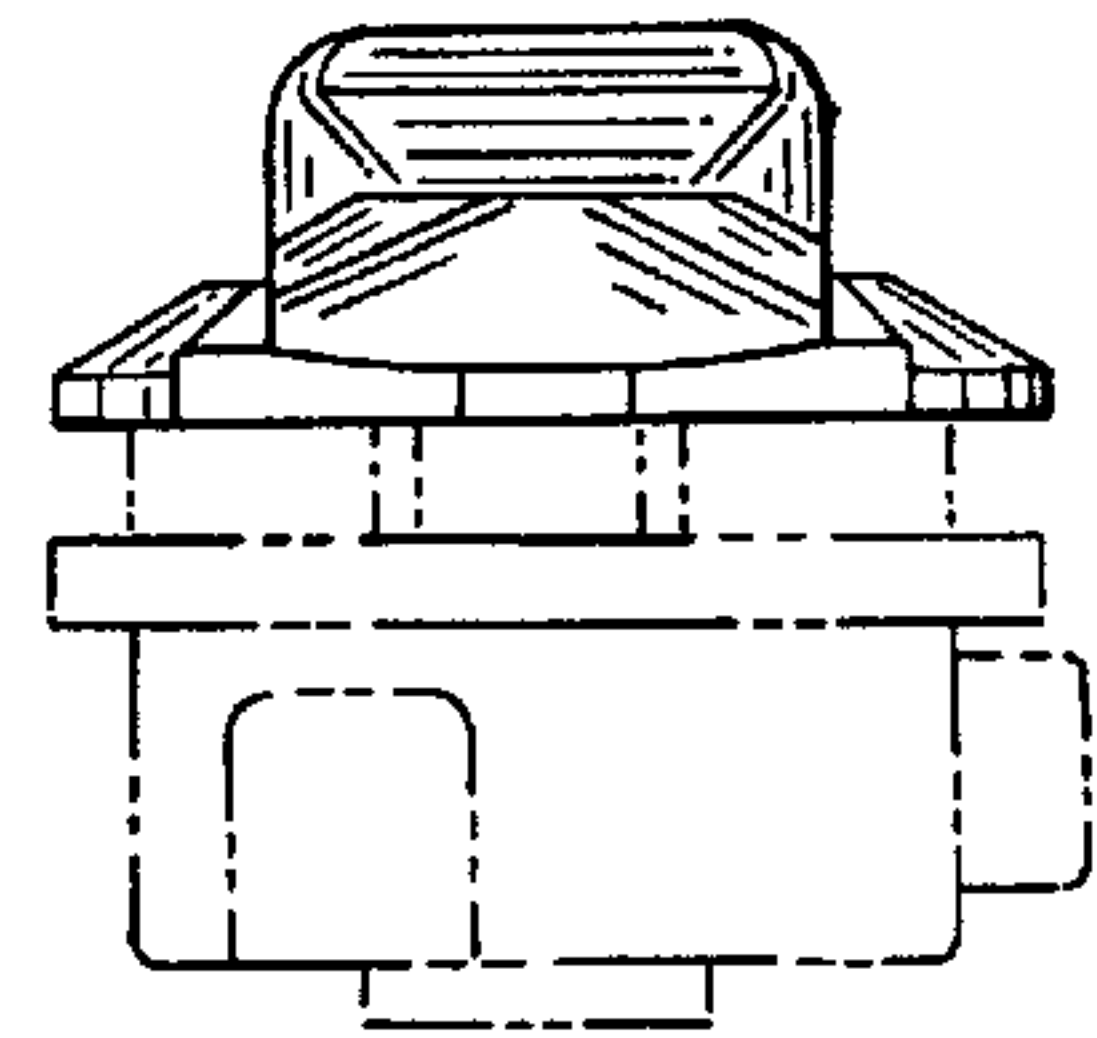


FIG. 5

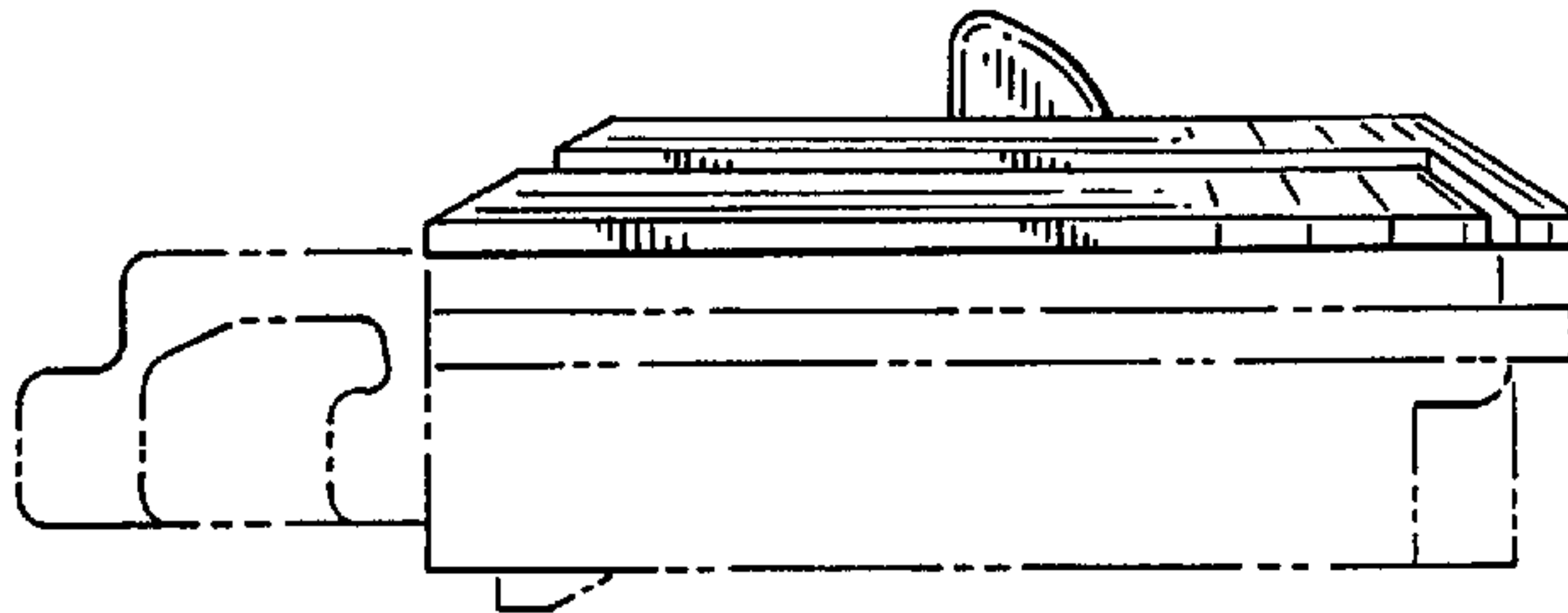
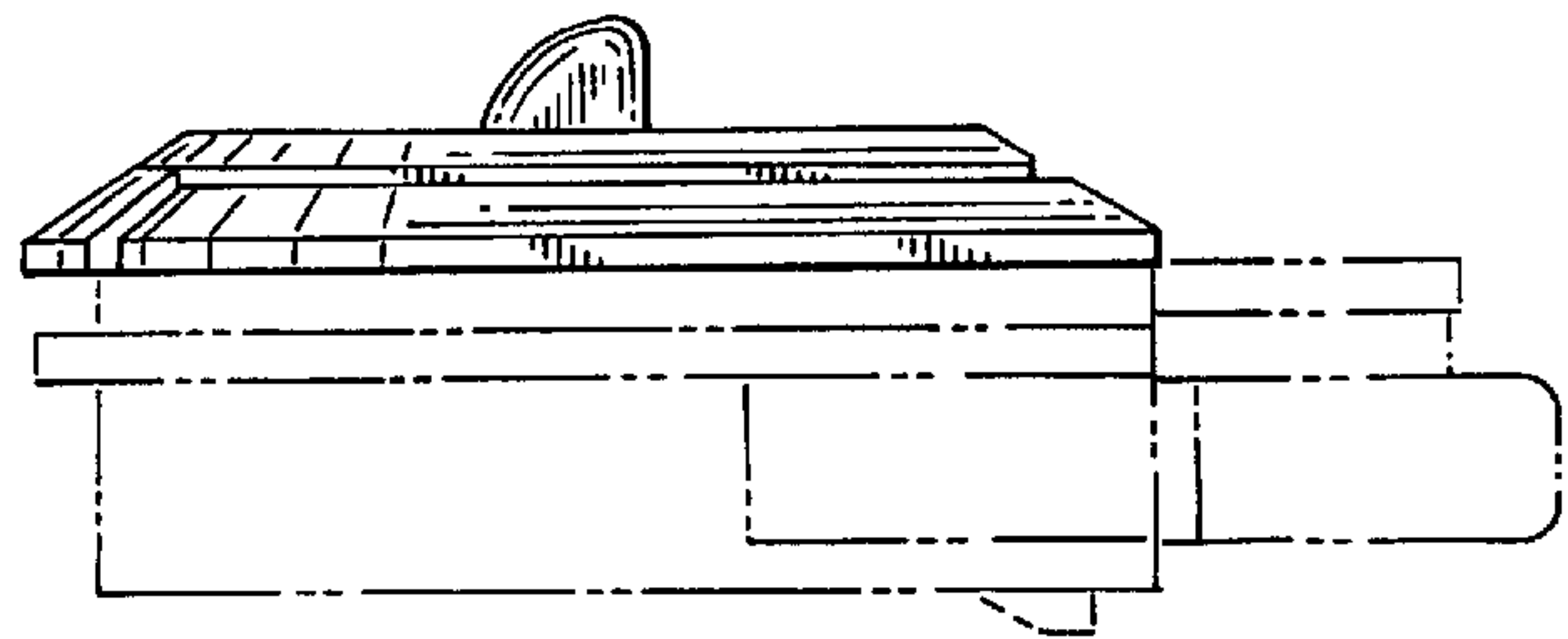


FIG. 6



UNITED STATES PATENT AND TRADEMARK OFFICE  
**CERTIFICATE OF CORRECTION**

PATENT NO. :Des. 416,468  
DATED :November 16, 1999  
INVENTOR(S) :Steven E. Schultz

It is certified that errors appear in the above-identified patent and that said Letters Patent is hereby corrected as shown below:

On the title page:

In the "References Cited" section:

A cited reference was omitted. Please add:

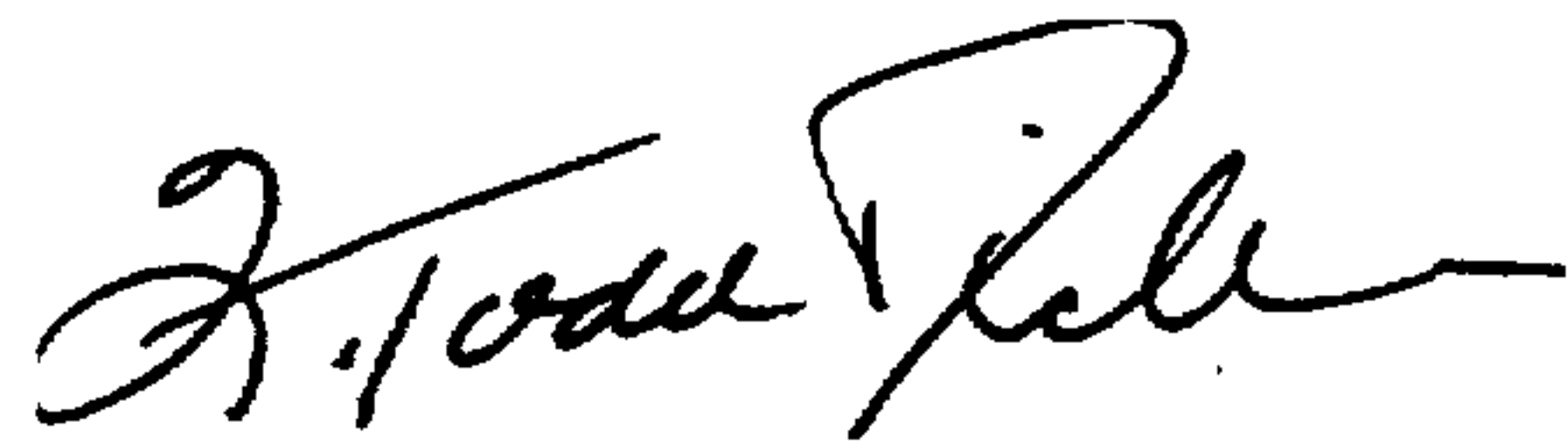
-- 5,121,952 6/1992 Jason --

The reference appearing as "5,139,291 8/1992 Jason"  
should be -- 5,139,291 8/1992 Schultz --

Signed and Sealed this

Nineteenth Day of September, 2000

Attest:



Q. TODD DICKINSON

Attesting Officer

Director of Patents and Trademarks