



US00D416465S

**United States Patent** [19]  
**O'Neil**

[11] **Patent Number: Des. 416,465**

[45] **Date of Patent: \*\* \*Nov. 16, 1999**

[54] **PULL**

931,388 8/1909 Corbin .

[75] Inventor: **Robert A. O'Neil**, Glen Ellyn, Ill.

**OTHER PUBLICATIONS**

[73] Assignee: **Newell Operating Company**, Ill.

Superior Brass Cat; p. 1; Pull 3089 (enlargement attached).

[\*] Notice: This patent is subject to a terminal disclaimer.

*Primary Examiner*—B. J. Bullock  
*Attorney, Agent, or Firm*—Foley & Lardner

[\*\*] Term: **14 Years**

[57] **CLAIM**

The ornamental design for a pull, as shown and described.

[21] Appl. No.: **29/089,599**

**DESCRIPTION**

[22] Filed: **Jun. 18, 1998**

FIG. 1 is a top perspective view of a pull showing the new design.

[51] **LOC (6) Cl.** ..... **08-06**

FIG. 2 is a right side elevation view of the design. The left side elevation view is a mirror image thereof.

[52] **U.S. Cl.** ..... **D8/314**

FIG. 3 is a front elevation view of the design.

[58] **Field of Search** ..... D8/300, 305, 313,

FIG. 4 is a rear elevation view of the design.

D8/314; 16/110 R, 124

FIG. 5 is a top plan view of the design.

[56] **References Cited**

FIG. 6 is a bottom plan view of the design.

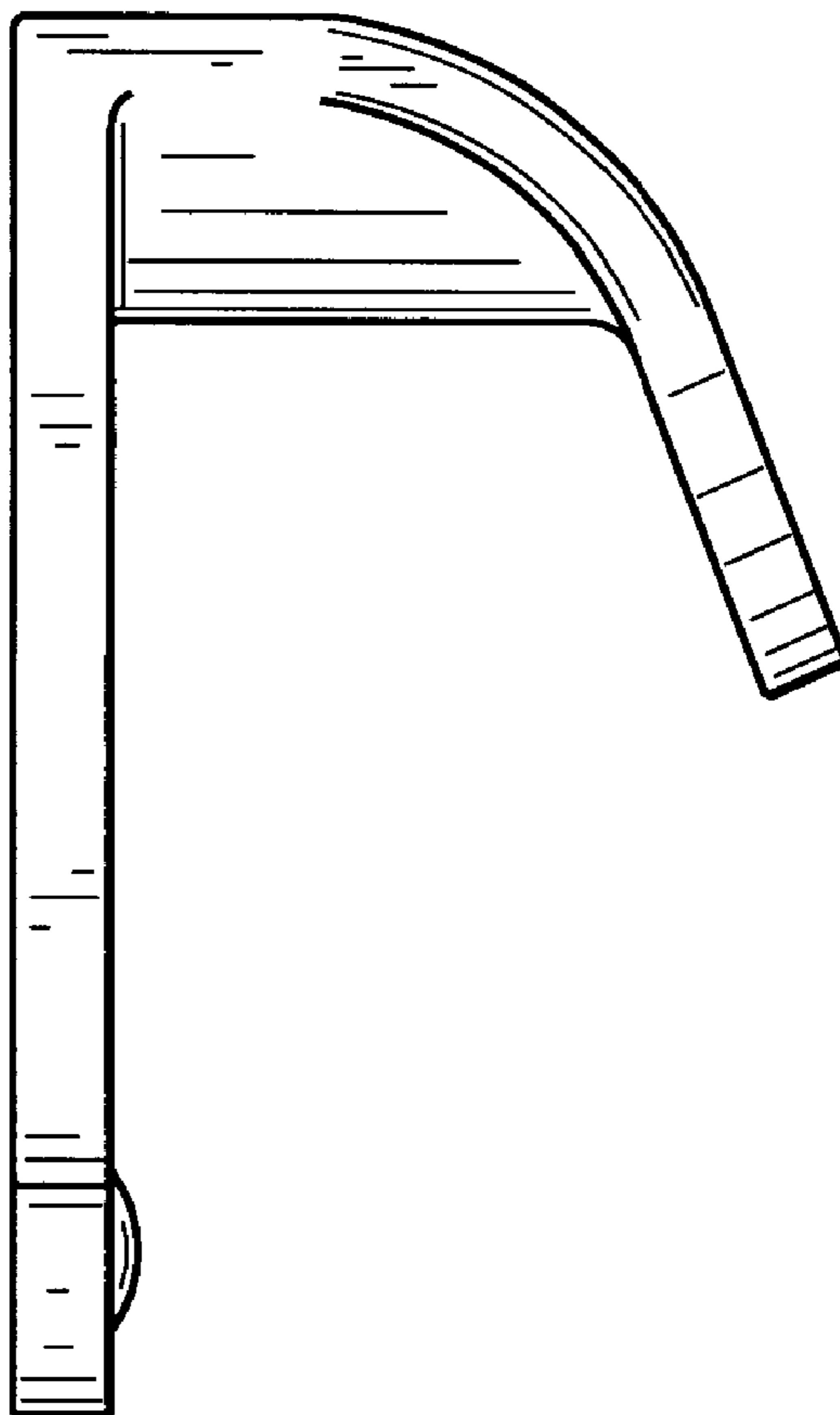
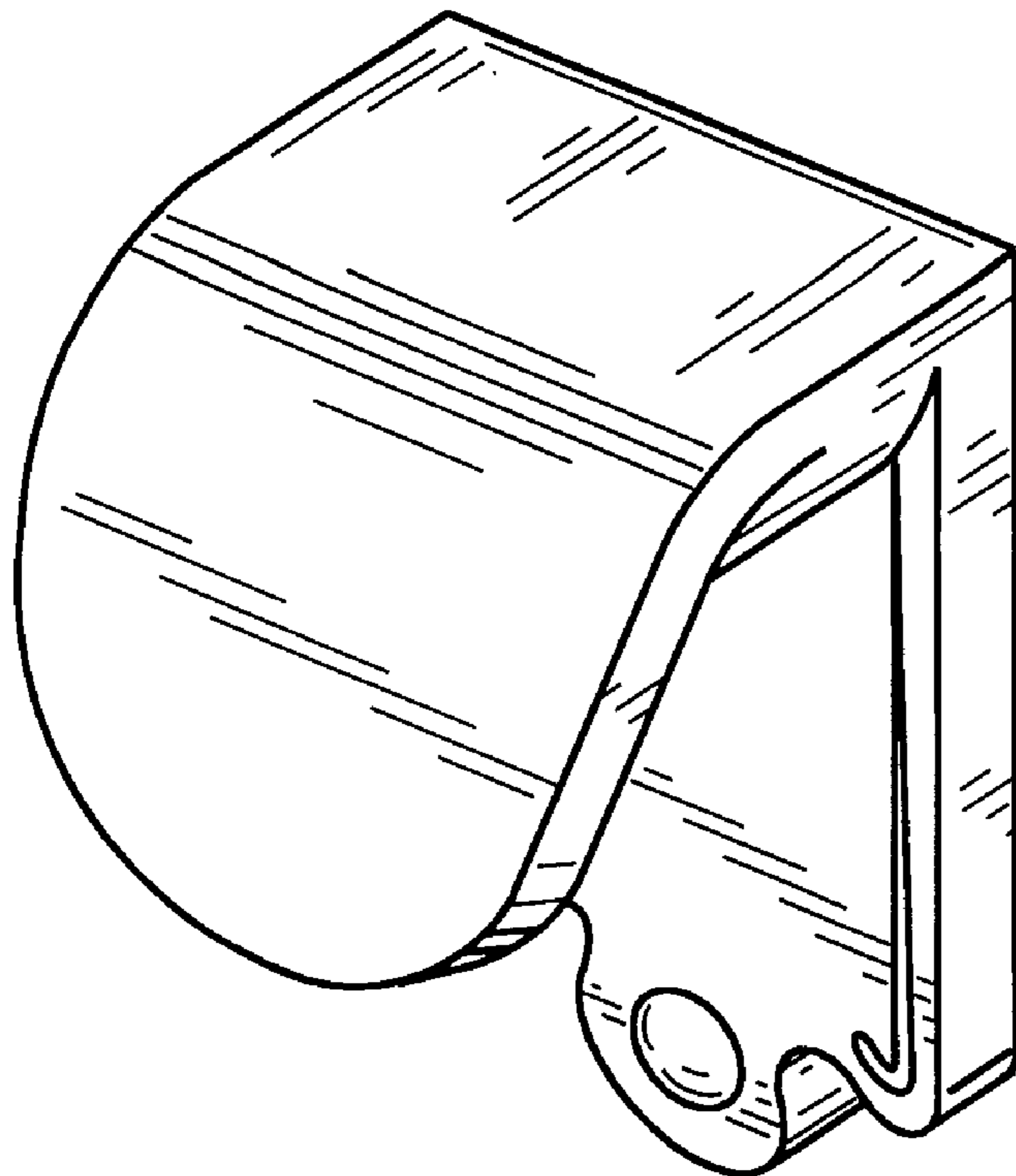
**U.S. PATENT DOCUMENTS**

The broken line disclosure in the Figures is for illustrative purposes only and forms no part of the claimed design.

D. 384,570 10/1997 Edwards ..... D8/307

390,666 10/1888 Grotholtman .

**1 Claim, 1 Drawing Sheet**



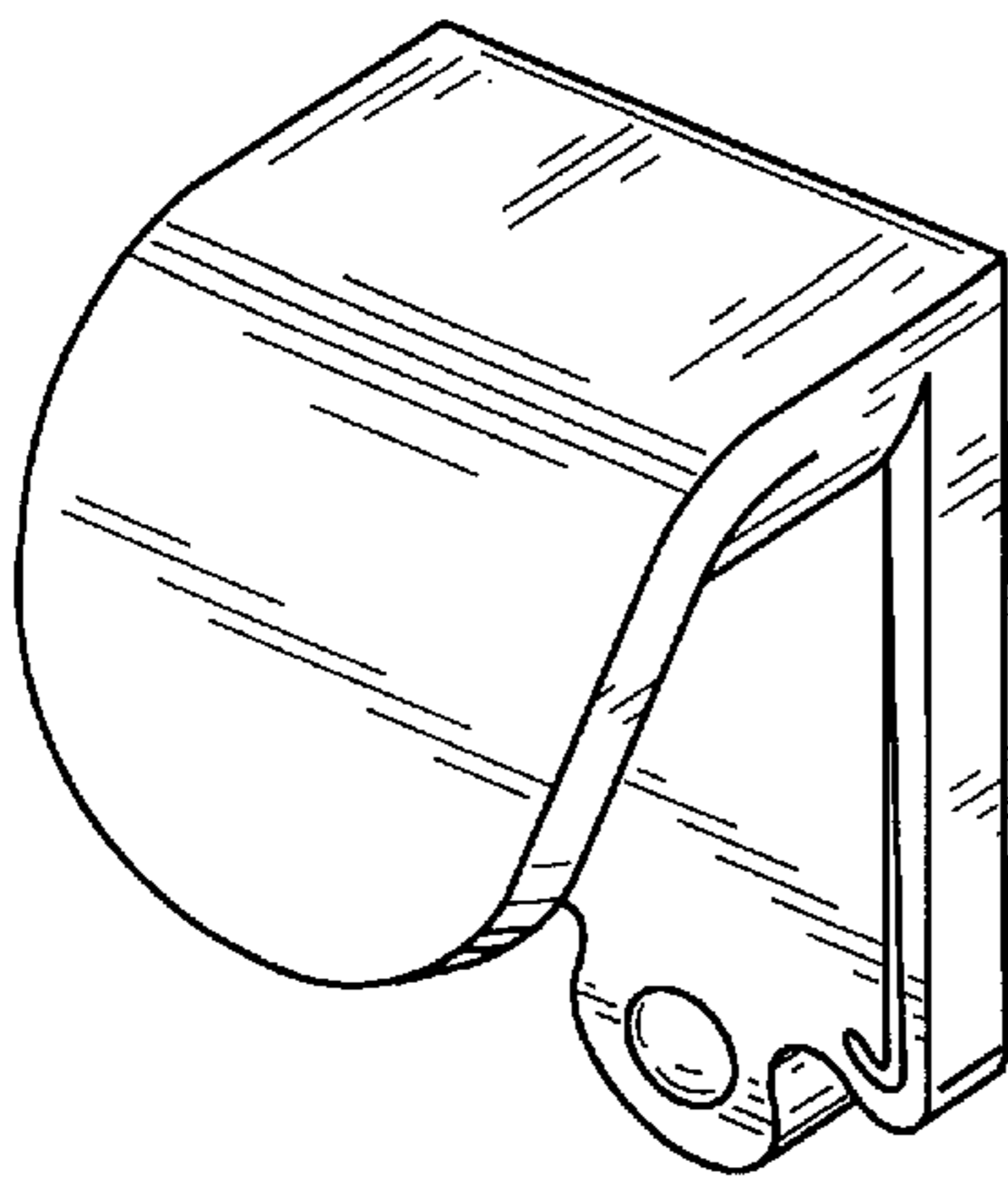


FIG. 1

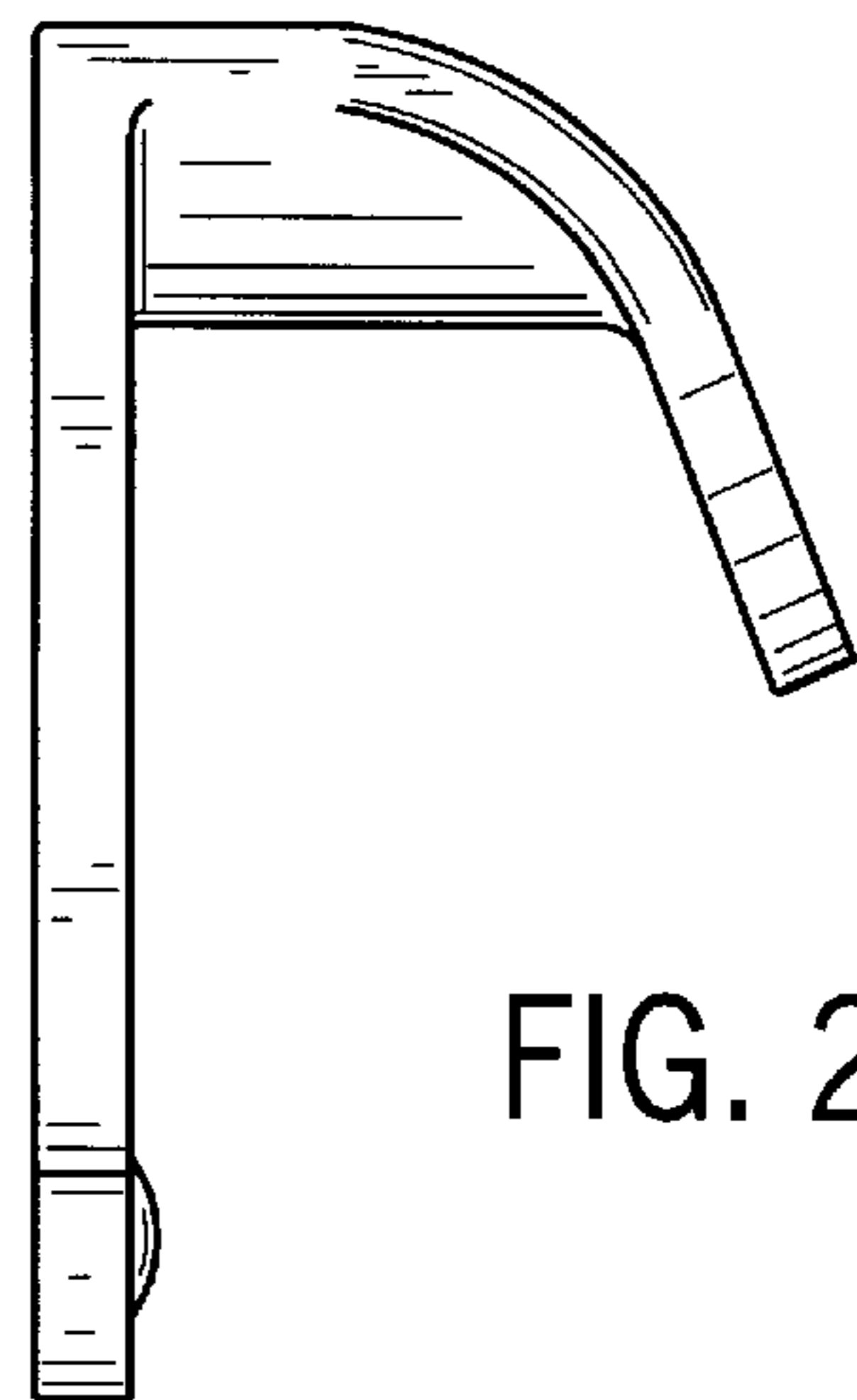


FIG. 2

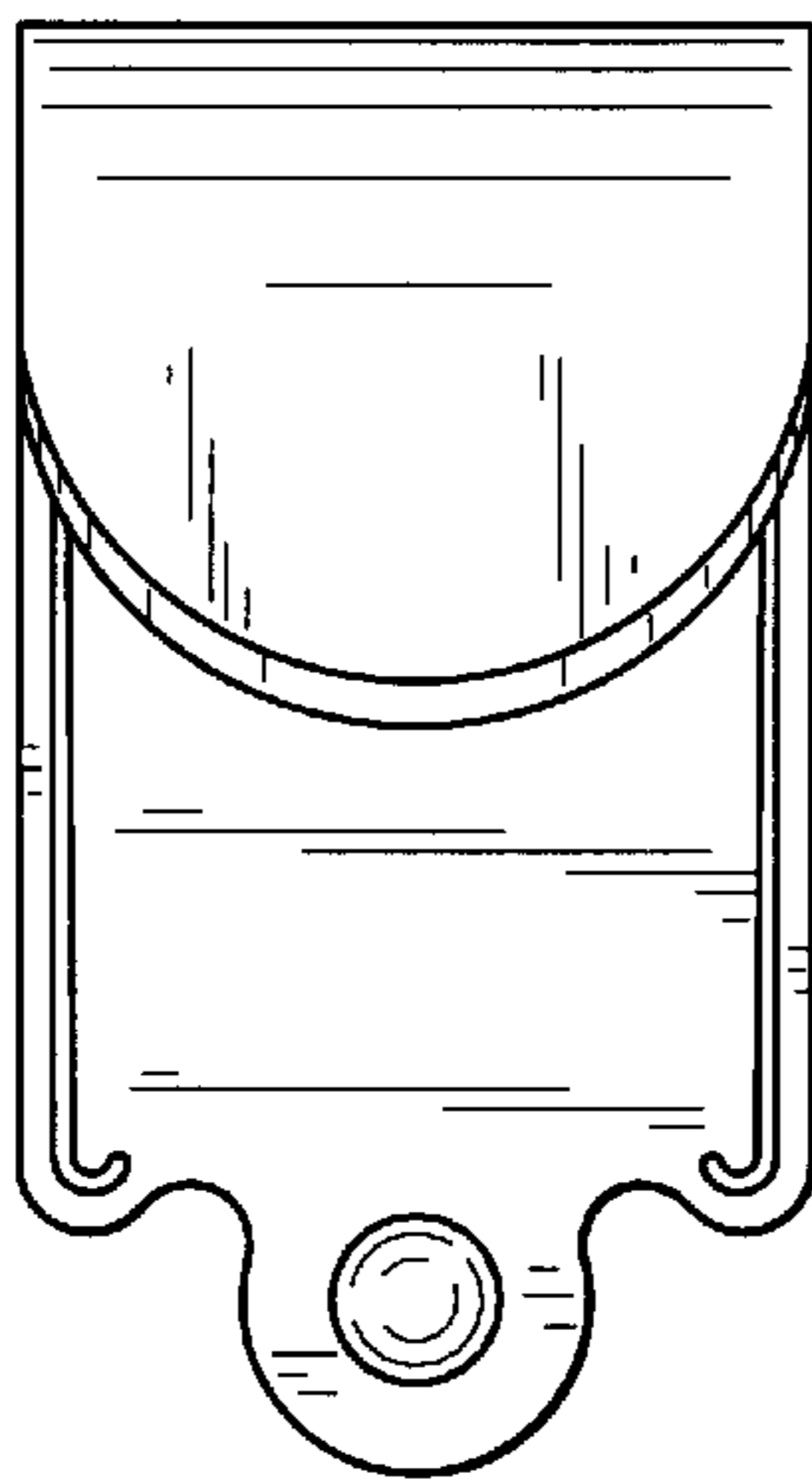


FIG. 3

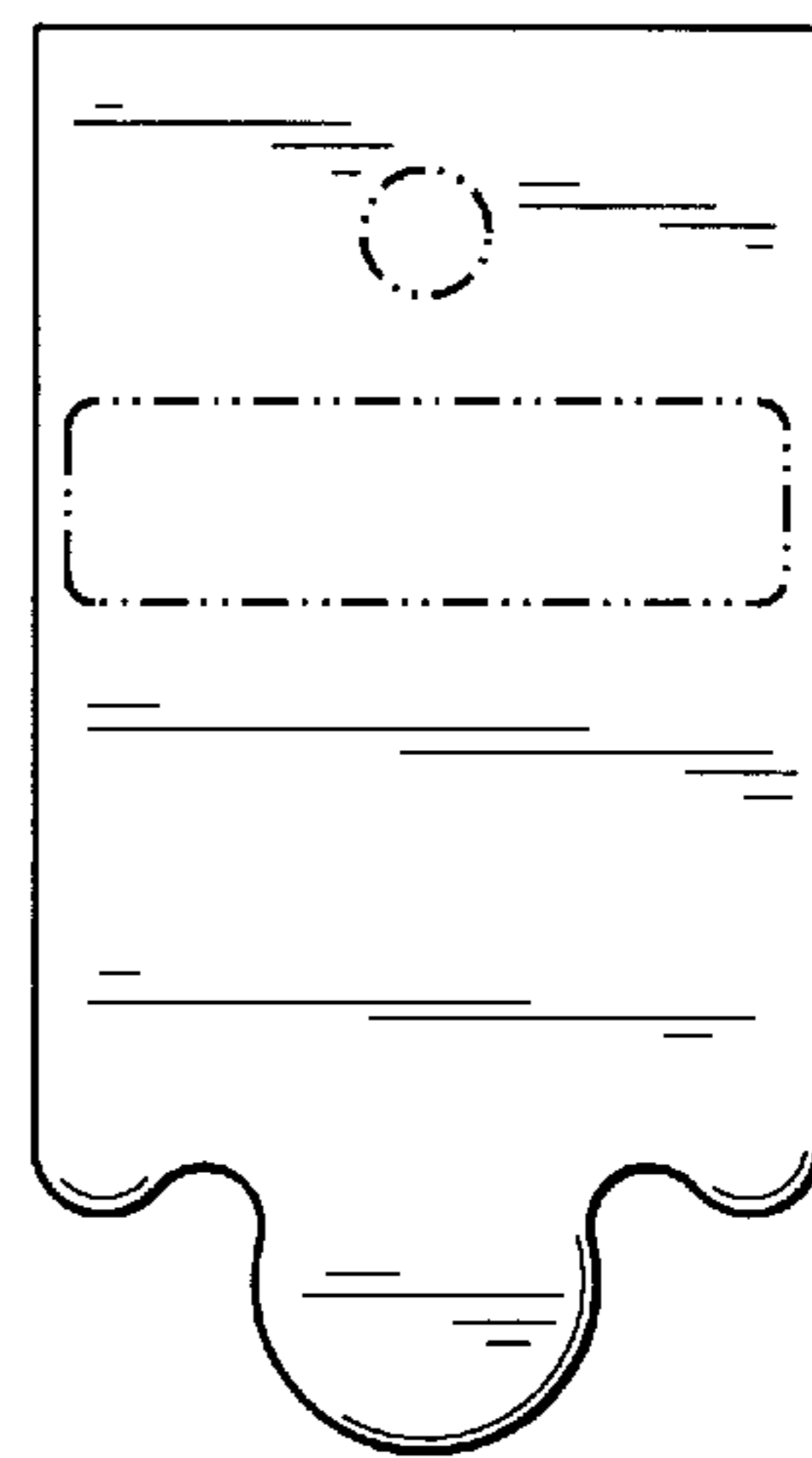


FIG. 4

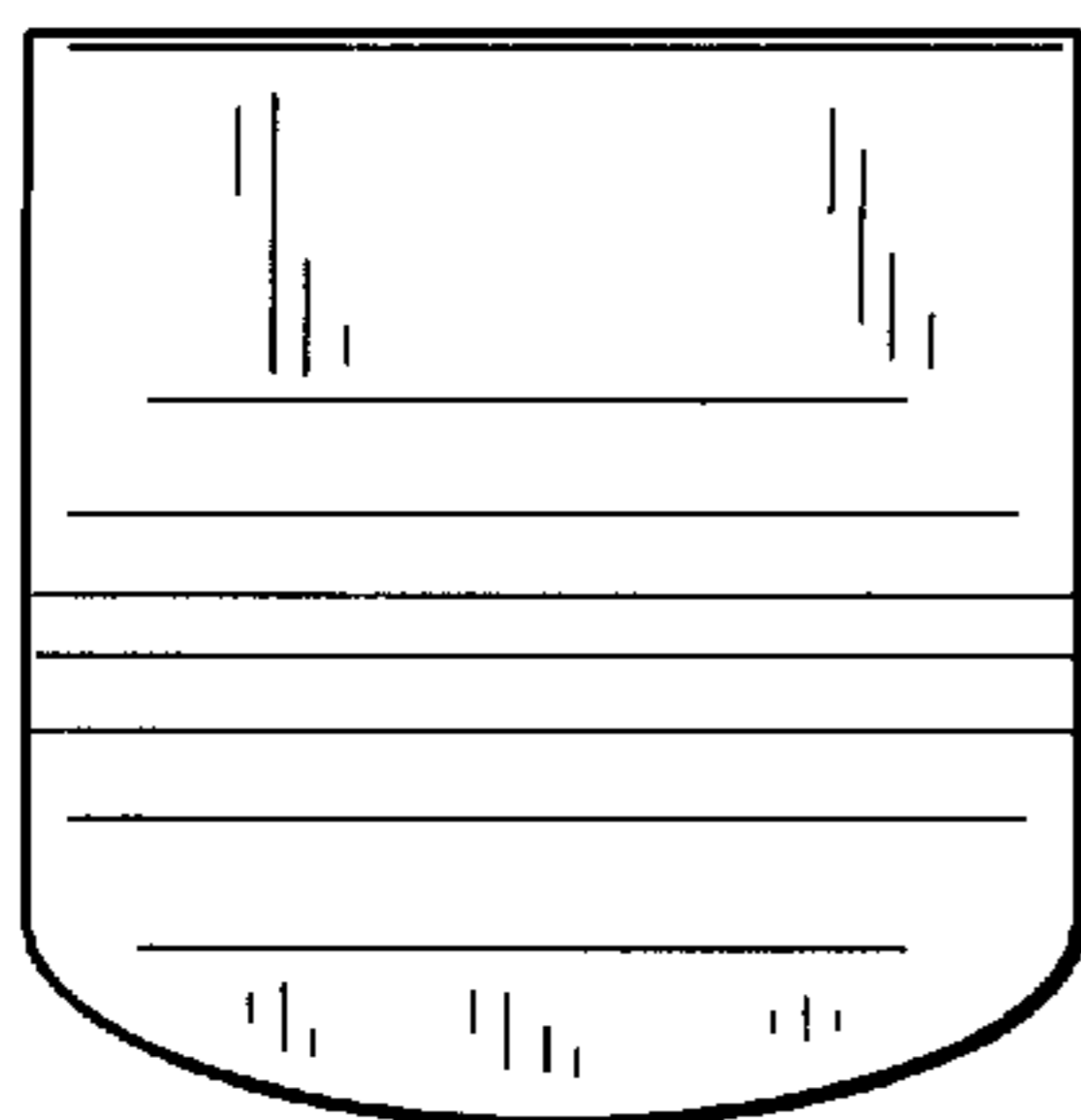


FIG. 5

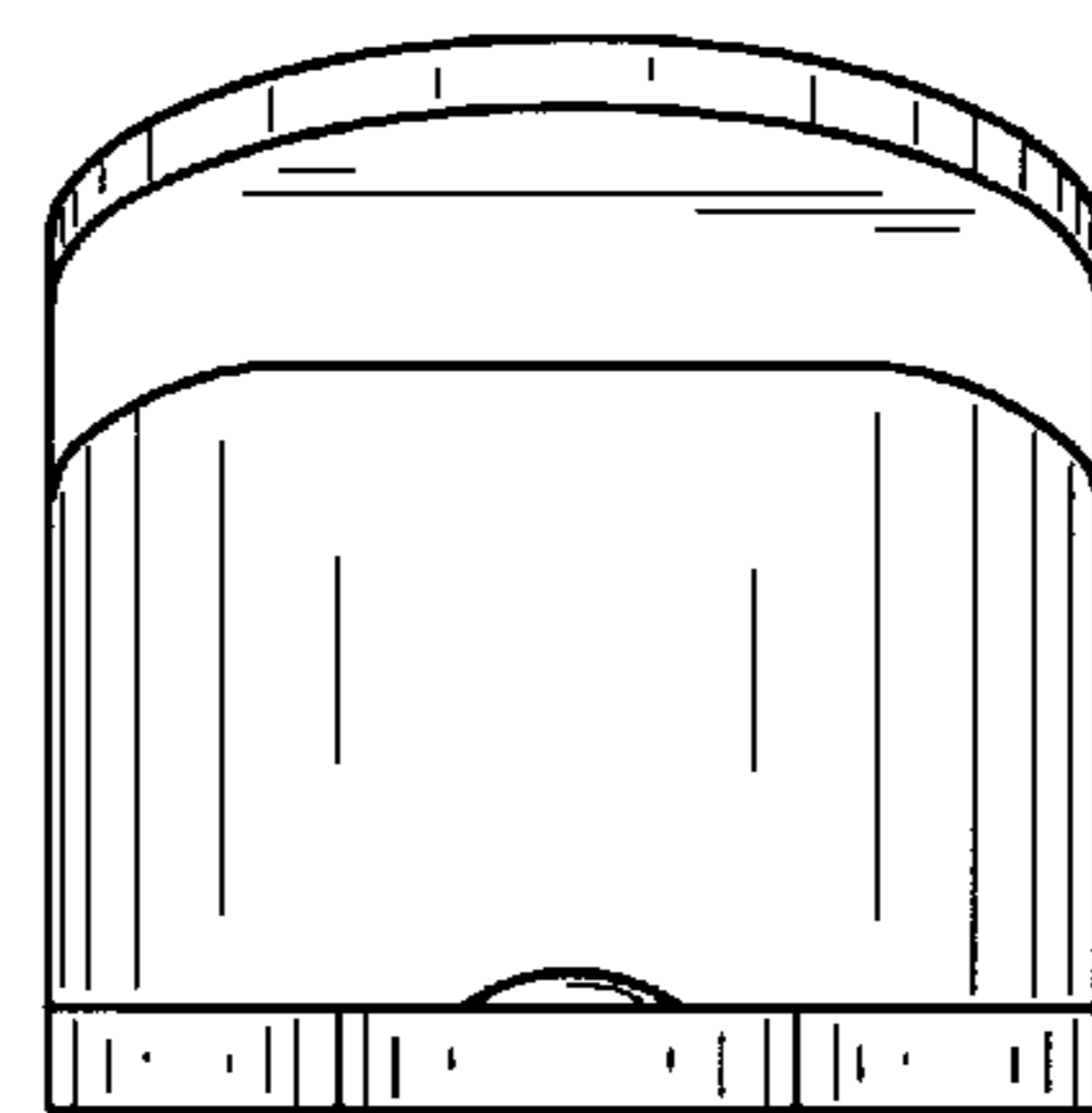


FIG. 6