



US00D416460S

United States Patent [19]

[11] Patent Number: Des. 416,460

Bosten et al.

[45] Date of Patent: ** Nov. 16, 1999

[54] PLUNGE ROUTER

FOREIGN PATENT DOCUMENTS

[75] Inventors: **Donald R. Bosten**, Jackson; **James T. Stolzer**; **Randy G. Cooper**, both of Milan; **Waymon L. McNeal, Jr.**; **Mark A. Etter**, both of Jackson, all of Tenn.

1015225	12/1965	United Kingdom .
1 590 290	5/1981	United Kingdom .
2 078 028	12/1981	United Kingdom .
2 145 678	4/1985	United Kingdom .
2 248 987	4/1992	United Kingdom .
WO 87/04276	7/1987	WIPO .

[73] Assignee: **Porter-Cable Corporation**, Jackson, Tenn.

OTHER PUBLICATIONS

[**] Term: **14 Years**

“The Art of Woodworking Routing and Shaping,” Time-Life Books, Alexandria, Virginia/St. Remy Press, Montreal and New York; pp. cover pgs. and 9–35 and 117–139, ©1993 Time-Life Books Inc.

[21] Appl. No.: **29/096,603**

Bosch Product Brochure, Operating/Safety Instructions, cover pg. and pp. 2–10, undated.

[22] Filed: **Nov. 16, 1998**

Bosch Plunge Router Operating Instructions, cover pg. and pp. 2–19 (Apr. 1992).

[51] **LOC (6) Cl.** **08-05**

[52] **U.S. Cl.** **D8/67; D8/61**

[58] **Field of Search** D8/61, 67, 70; 144/136 C, 134 D; 409/182

DeWalt® Instruction Manual, DW624 Plunge Cut Router, DW625 Electronic Plunge Cut Router, 15 pgs., undated.

Porter-Cable Instruction Manual, Routers, cover pg. and pp. 2–28, Copyright © 1994, Porter-Cable Corporation.

[56] References Cited

U.S. PATENT DOCUMENTS

Re. 33,045	9/1989	Gronholz et al. .	
D. 286,132	10/1986	Yamamoto	D8/67
D. 300,501	4/1989	Zurwelle	D8/67
D. 340,174	10/1993	Hoshino et al.	D8/67
D. 349,637	8/1994	Hoshino et al.	D8/67
1,581,720	4/1926	Carter .	
1,904,109	4/1933	Wendorf .	
3,767,876	10/1973	Batson .	
3,881,081	4/1975	Schilling et al. .	
4,051,880	10/1977	Hestily .	
4,316,685	2/1982	George .	
4,319,860	3/1982	Beares	144/134 D
4,323,100	4/1982	Silken .	
4,445,811	5/1984	Sanders .	
4,562,872	1/1986	Fushiya et al.	144/154.5
4,566,830	1/1986	Maier et al. .	
4,606,685	8/1986	Maier et al. .	
4,770,573	9/1988	Monobe .	
4,938,264	7/1990	Ferenczffy .	
4,938,642	7/1990	Imahashi et al. .	
5,078,557	1/1992	McCracken .	
5,088,865	2/1992	Beth et al. .	
5,094,575	3/1992	Kieser et al.	409/182

(List continued on next page.)

Primary Examiner—Nelson C. Holtje
Attorney, Agent, or Firm—Merchant & Gould P.C.

[57] CLAIM

The ornamental design for plunge router, as shown and described.

DESCRIPTION

FIG. 1 illustrates a perspective view of a plunge router according to the present invention.

FIG. 2 illustrates a front view of a plunge router according to the present invention.

FIG. 3 illustrates a back view of a plunge router according to the present invention.

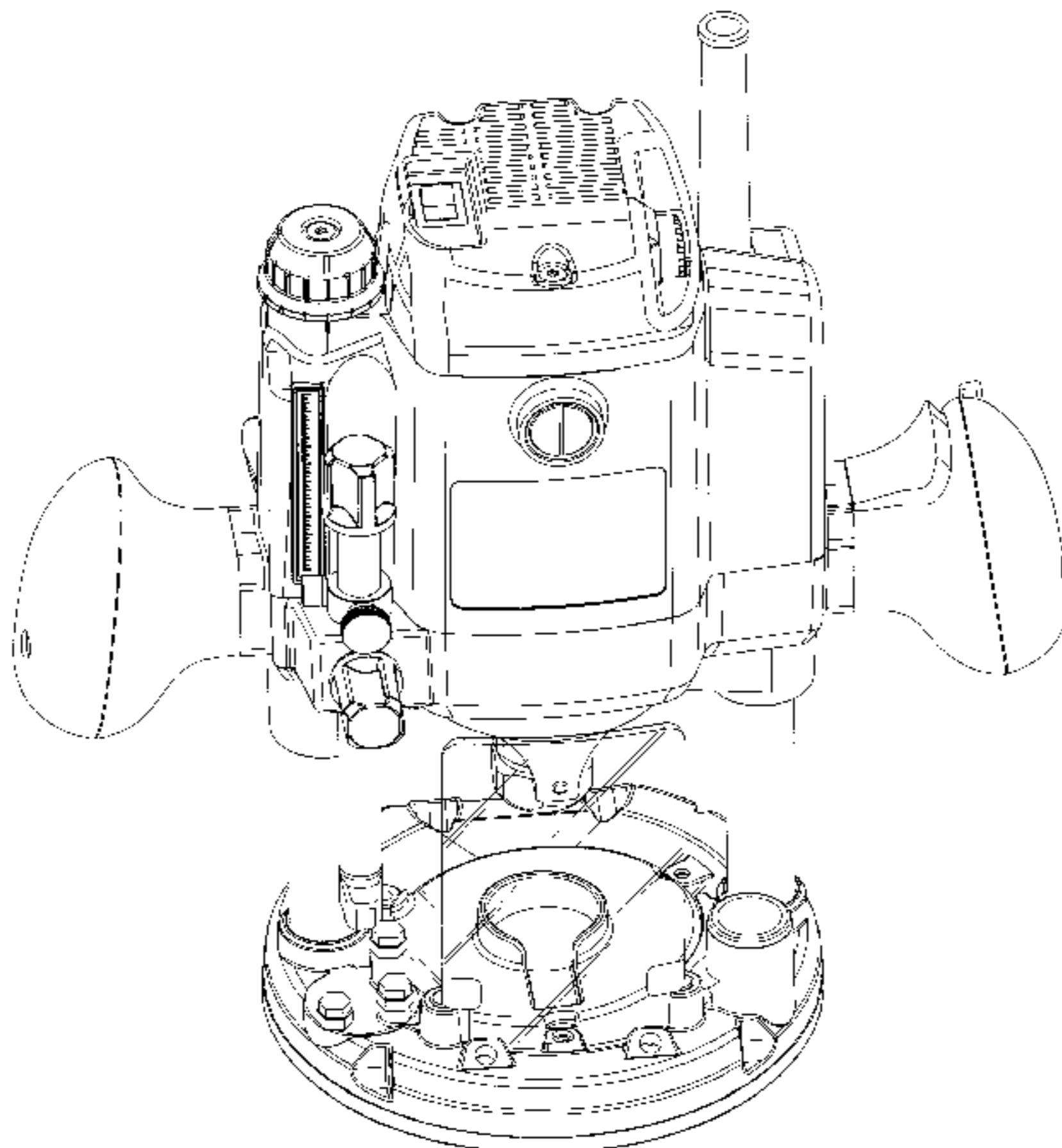
FIG. 4 illustrates a side view of a plunge router according to the present invention.

FIG. 5 illustrates another side view of a plunge router according to the present invention.

FIG. 6 illustrates a top view of a plunge router according to the present invention; and,

FIG. 7 illustrates a bottom view of a plunge router according to the present invention.

1 Claim, 7 Drawing Sheets



Des. 416,460

Page 2

U.S. PATENT DOCUMENTS

5,143,494	9/1992	McCurry	409/182	5,353,852	10/1994	Stolzer et al. .	
5,181,813	1/1993	McCracken .		5,428,197	6/1995	McCurry et al. .	
5,188,492	2/1993	McCracken .		5,496,139	3/1996	Ghode et al. .	
5,191,921	3/1993	McCurry .		5,570,776	11/1996	Buchholz et al. .	
5,207,253	5/1993	Hoshino et al.	144/136.95	5,584,620	12/1996	Blickhan et al. .	
5,273,089	12/1993	Fuchs et al. .		5,590,988	1/1997	Rusconi .	
5,308,201	5/1994	Wilson et al. .		5,613,813	3/1997	Winchester et al. .	
5,310,296	5/1994	McCurry .		5,671,789	9/1997	Stolzer et al.	144/154.5
5,320,463	6/1994	McCurry et al. .		5,678,965	10/1997	Strick .	
				5,725,036	3/1998	Walter .	

FIG. 1

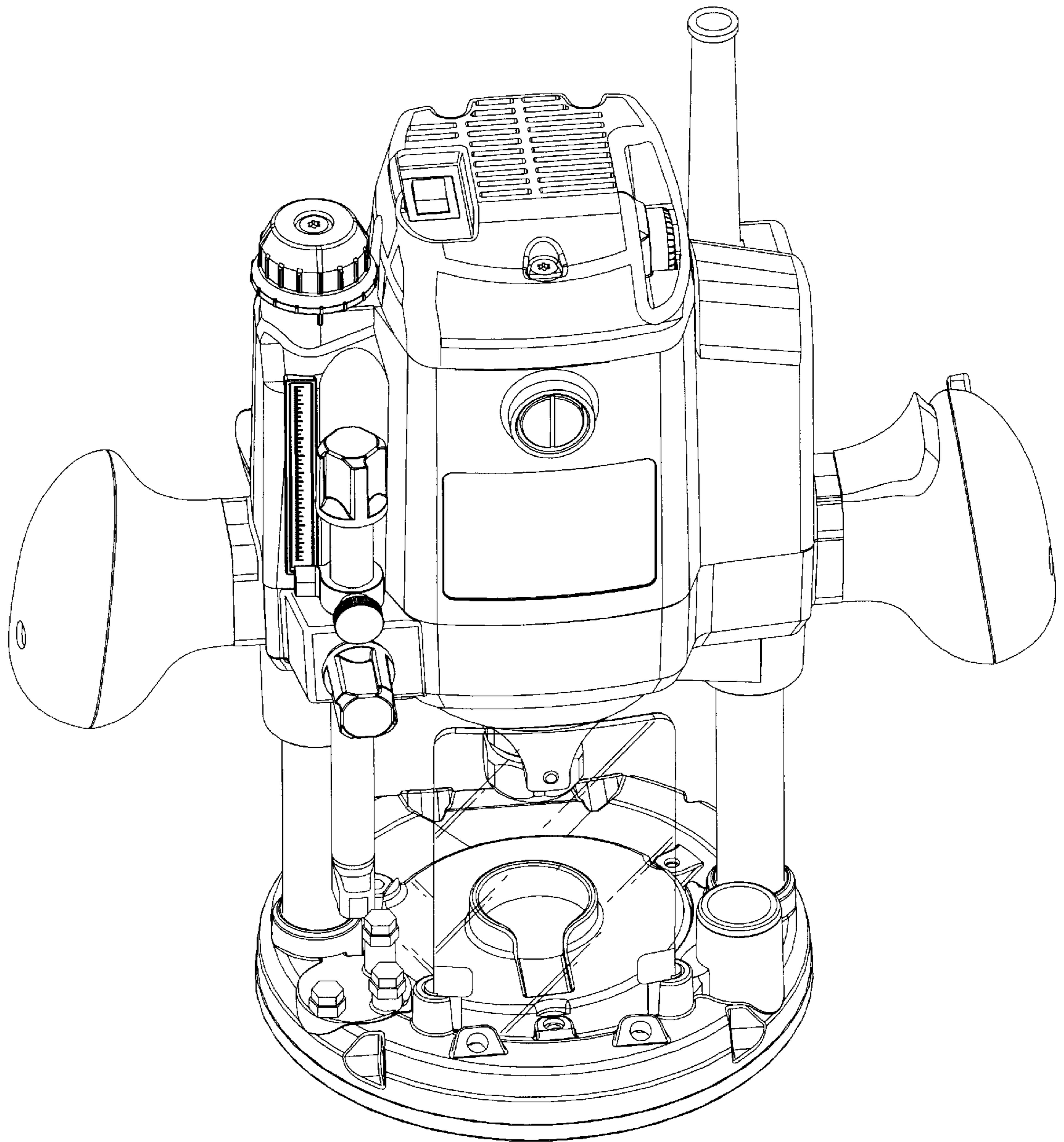


FIG. 2

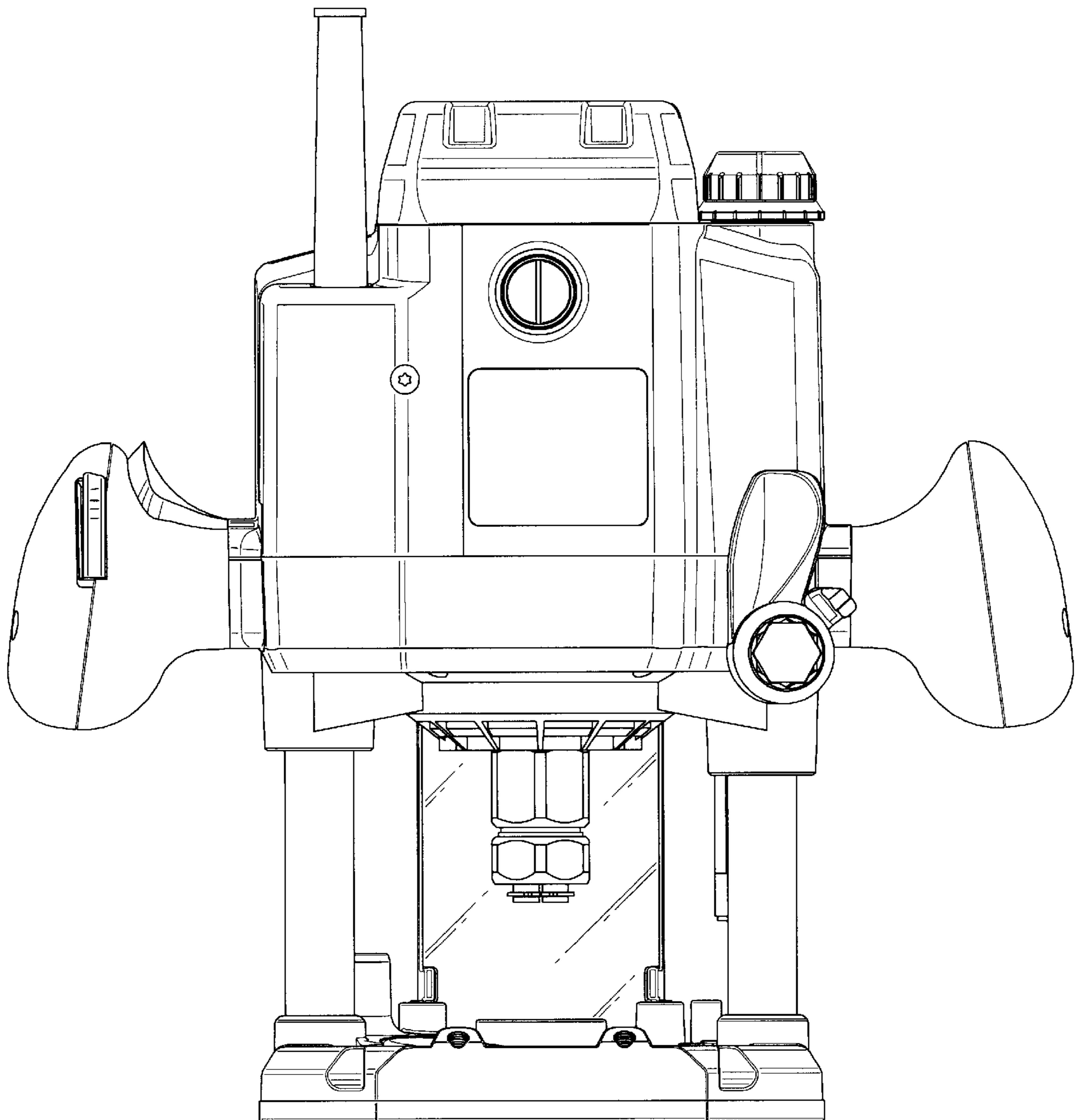
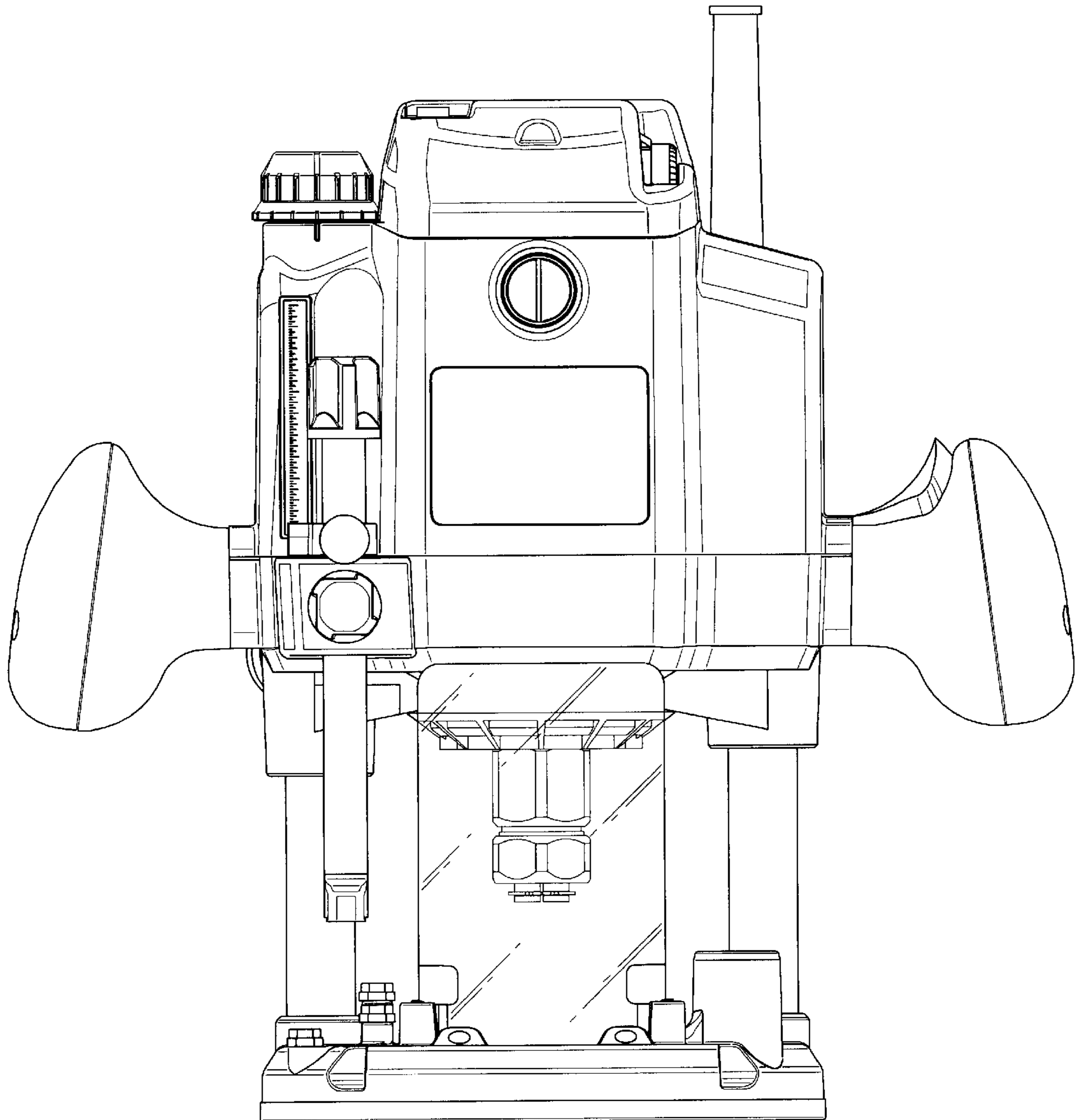


FIG. 3



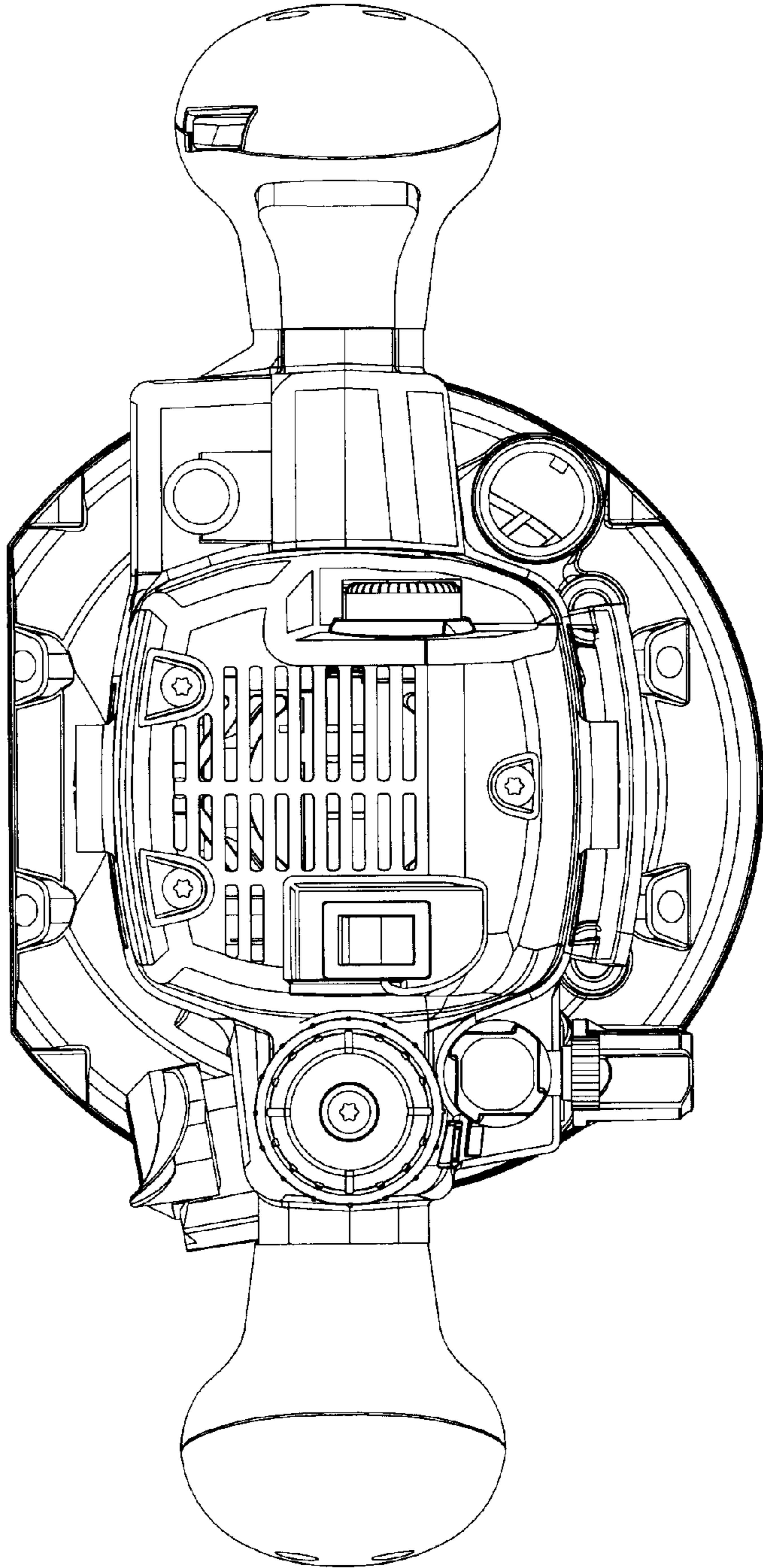


FIG. 4

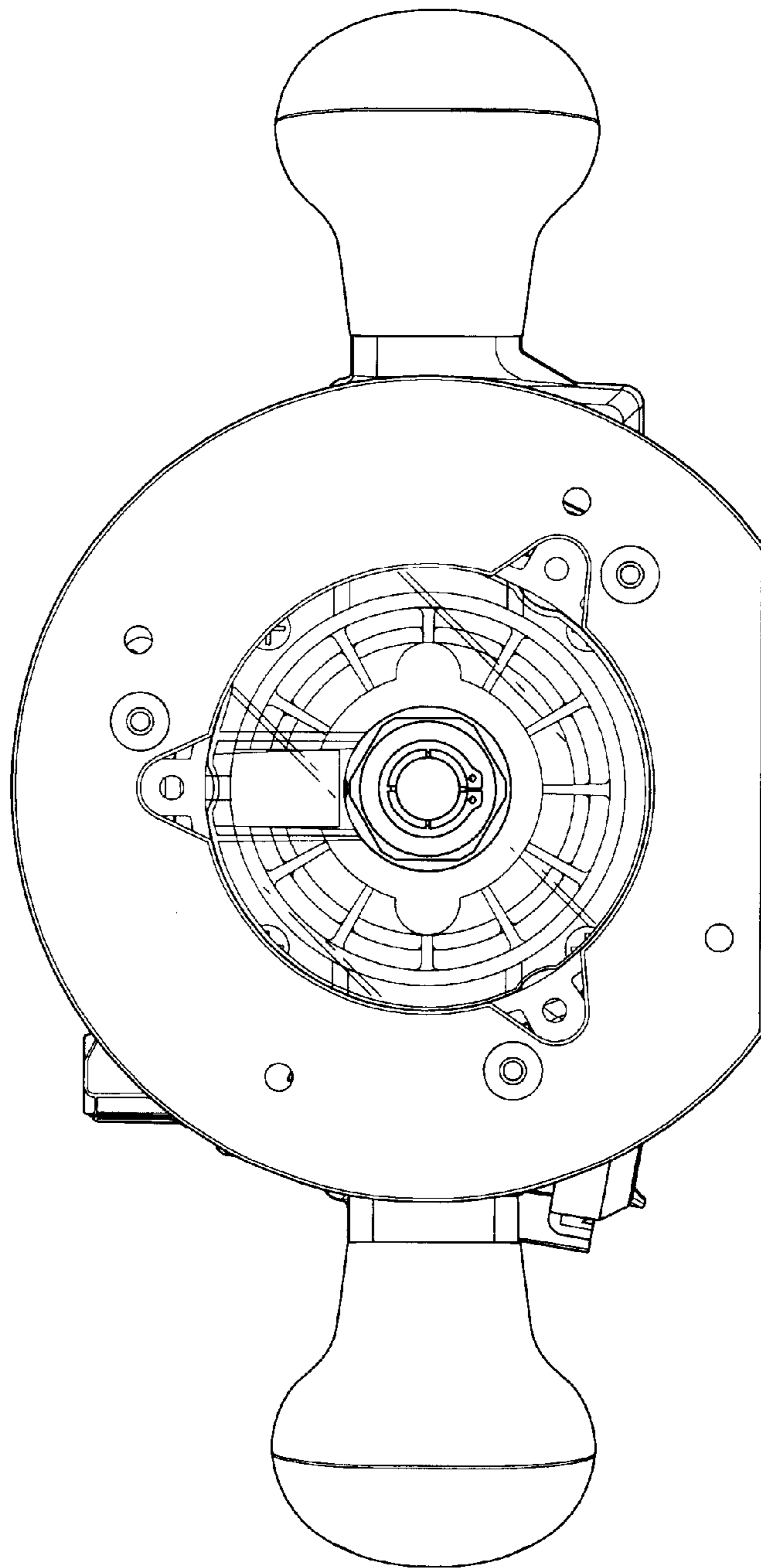


FIG. 5

FIG. 6

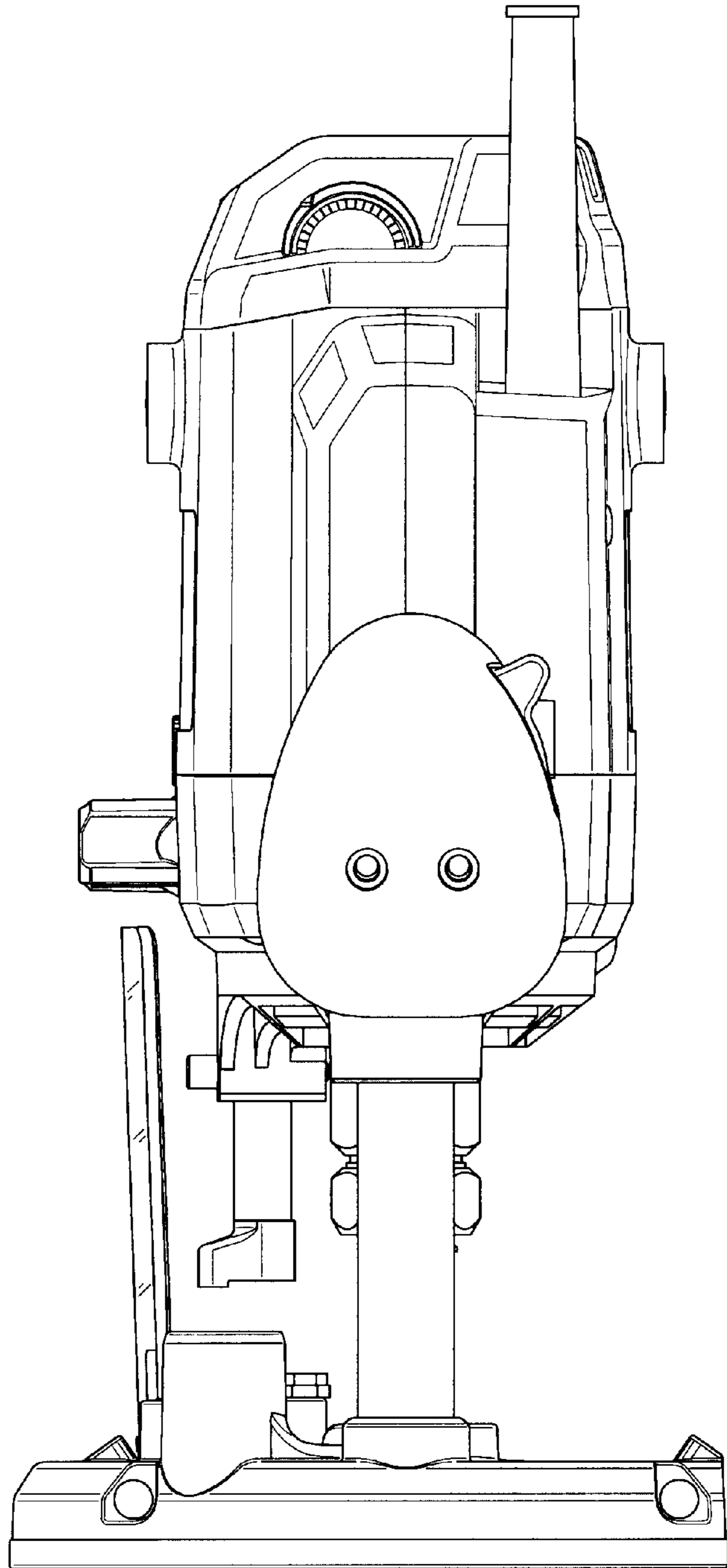


FIG. 7

