



US00D416459S

United States Patent [19]

Pears

[11] **Patent Number: Des. 416,459**

[45] **Date of Patent: ** Nov. 16, 1999**

[54] **SANDER**

[75] **Inventor: Barry Pears, Brandon, United Kingdom**

[73] **Assignee: Black & Decker Inc., Newark, Del.**

[**] **Term: 14 Years**

[21] **Appl. No.: 29/087,236**

[22] **Filed: Apr. 29, 1998**

[30] Foreign Application Priority Data

Nov. 15, 1997 [GB] United Kingdom 2070498

[51] **LOC (6) Cl. 08-02**

[52] **U.S. Cl. D8/62**

[58] **Field of Search D8/61, 62; 15/97.1, 15/97.2, 97.3, 102; 451/162, 163, 344, 356, 357, 359, 414, 456**

[56] References Cited

U.S. PATENT DOCUMENTS

D. 297,907 10/1988 Hoshino et al. .

- D. 305,399 1/1990 Fushiya et al. .
- D. 326,042 5/1992 Kriaski et al. .
- D. 328,695 8/1992 Hoshino et al. .
- D. 332,558 1/1993 Hoshino et al. .
- D. 337,499 7/1993 Matsunaga et al. .
- D. 376,304 12/1996 Clowers et al. D8/62
- 4,754,575 7/1988 Schneider .

Primary Examiner—Antoine Duval Davis
Attorney, Agent, or Firm—Bruce S. Shapiro; Dennis A. Dearing; John D. Del Ponti

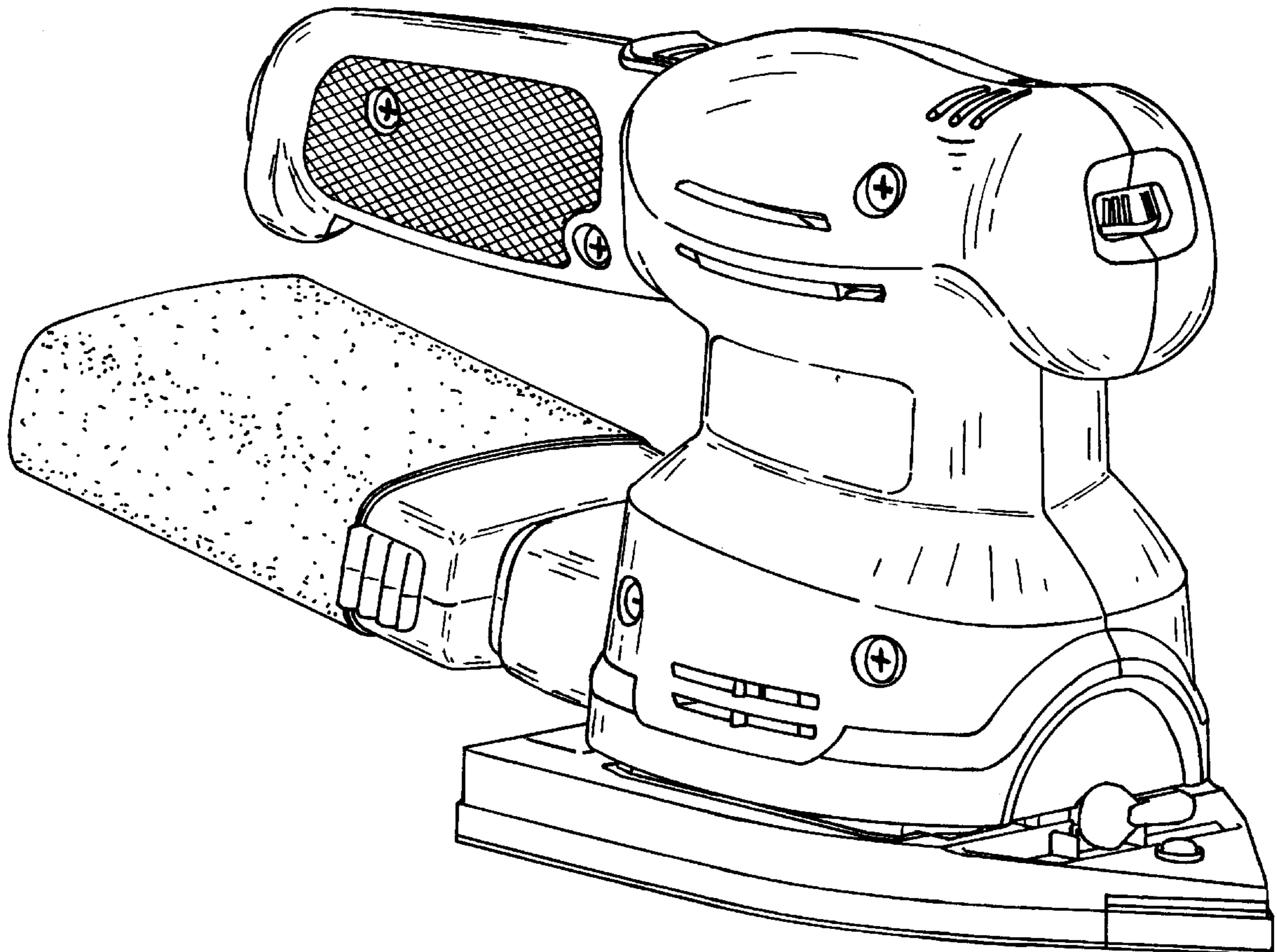
[57] CLAIM

The ornamental design for a sander, as shown and described.

DESCRIPTION

FIG. 1 is a front perspective view of a sander showing my new design.
 FIG. 2 is a right side elevational view thereof.
 FIG. 3 is a left side elevational view thereof.
 FIG. 4 is a front elevational view thereof.
 FIG. 5 is a rear elevational view thereof.
 FIG. 6 is a top plan view thereof. and,
 FIG. 7 is a bottom plan view thereof.

1 Claim, 6 Drawing Sheets



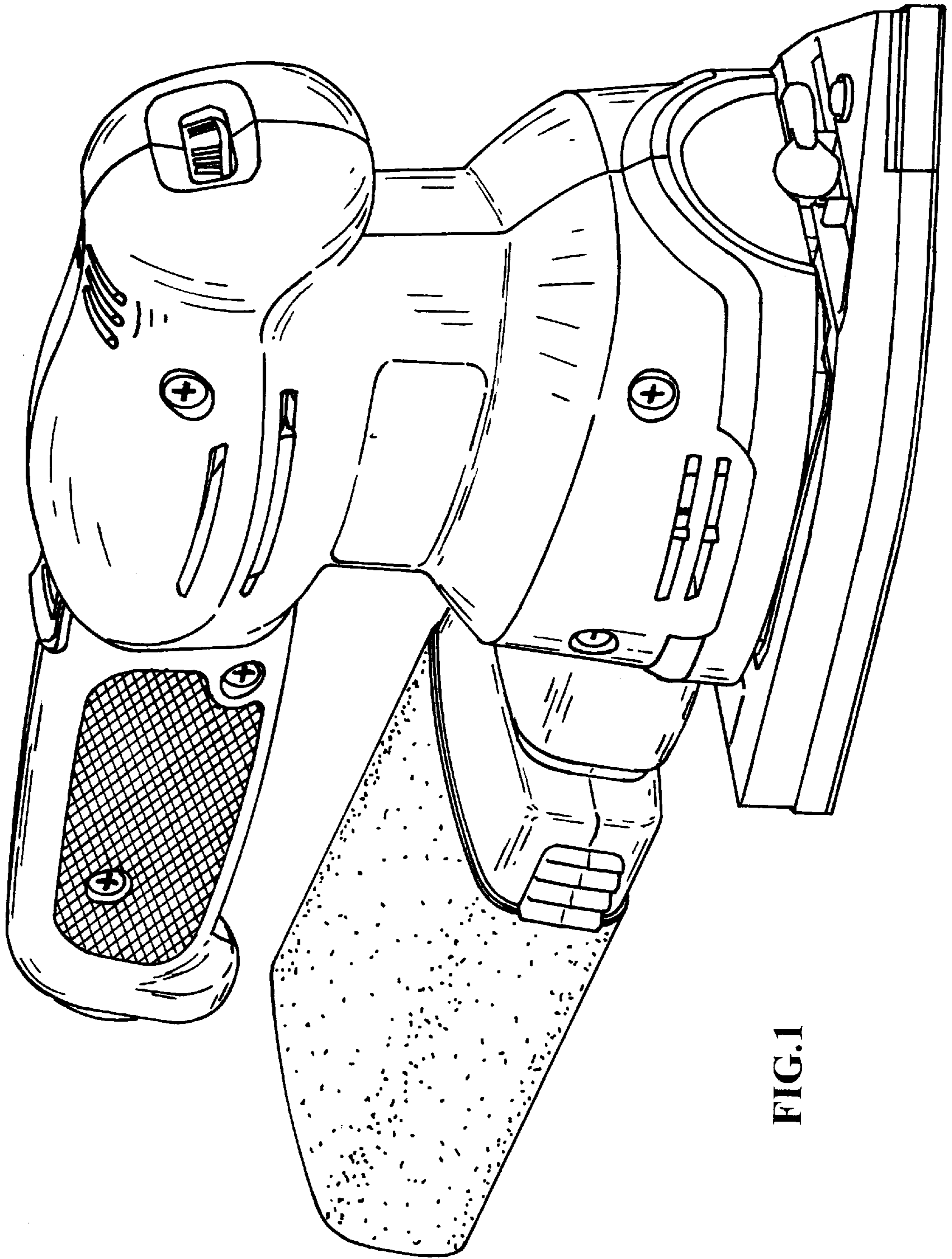
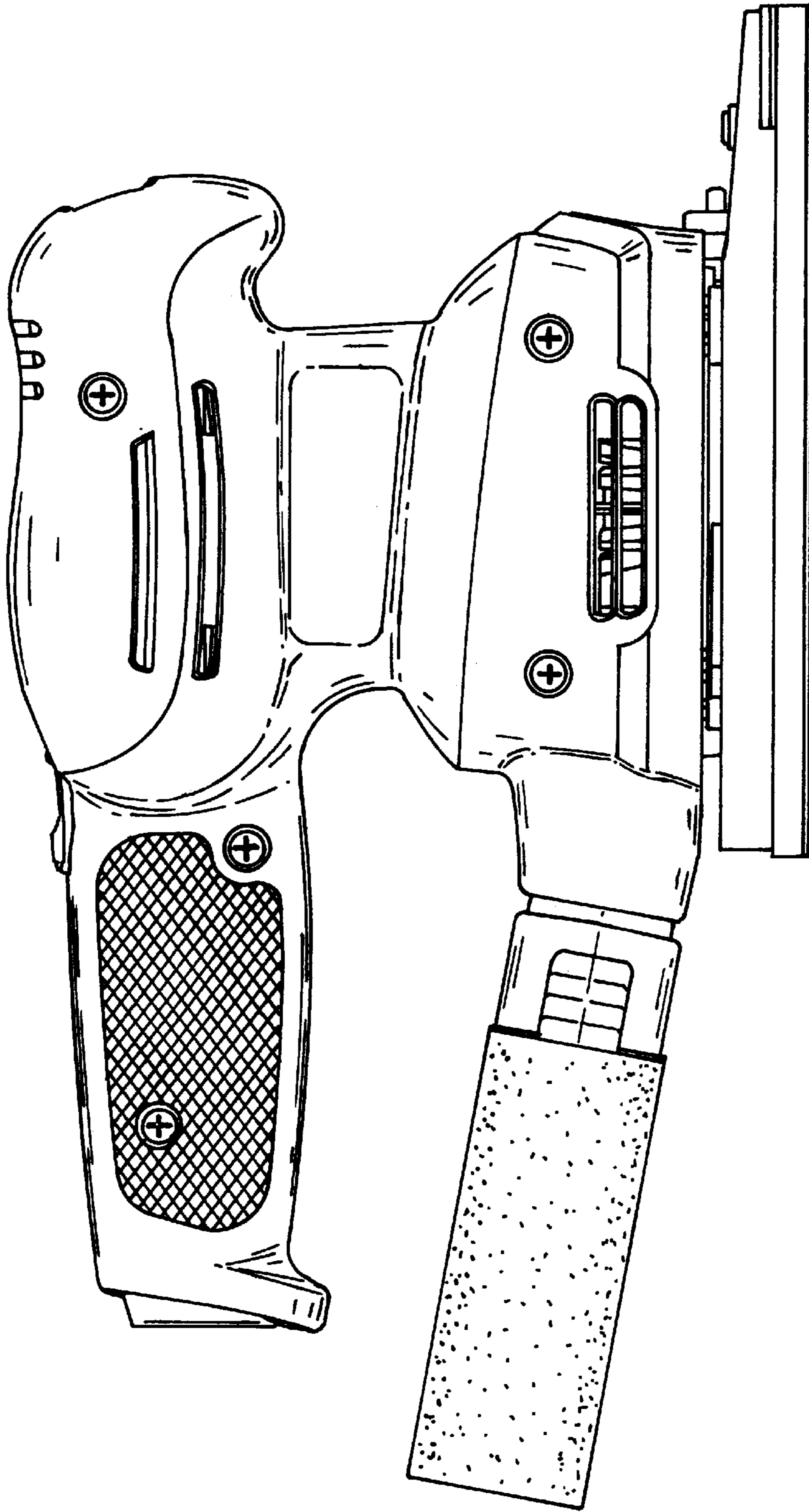


FIG. 1

FIG. 2



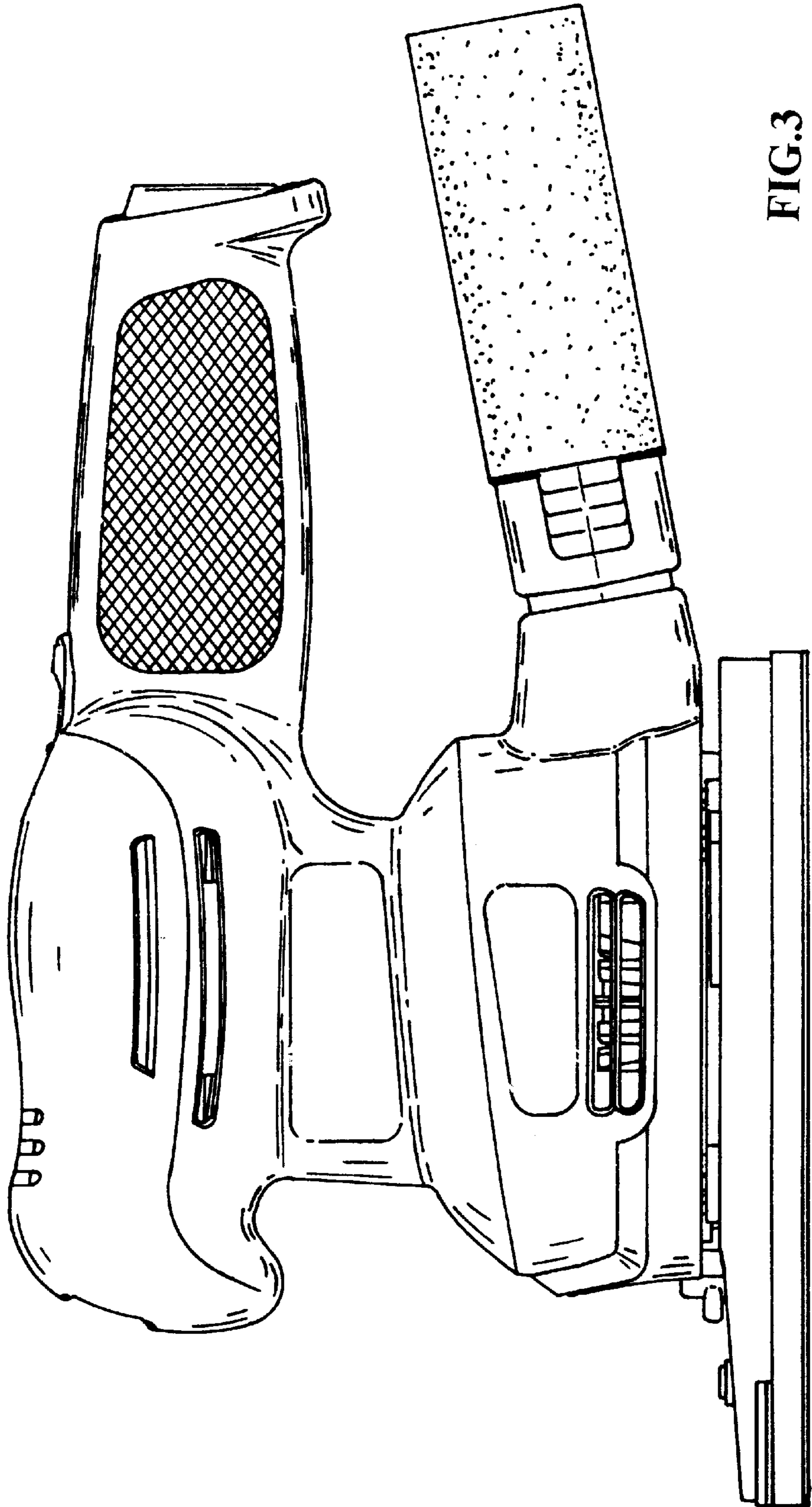


FIG.3

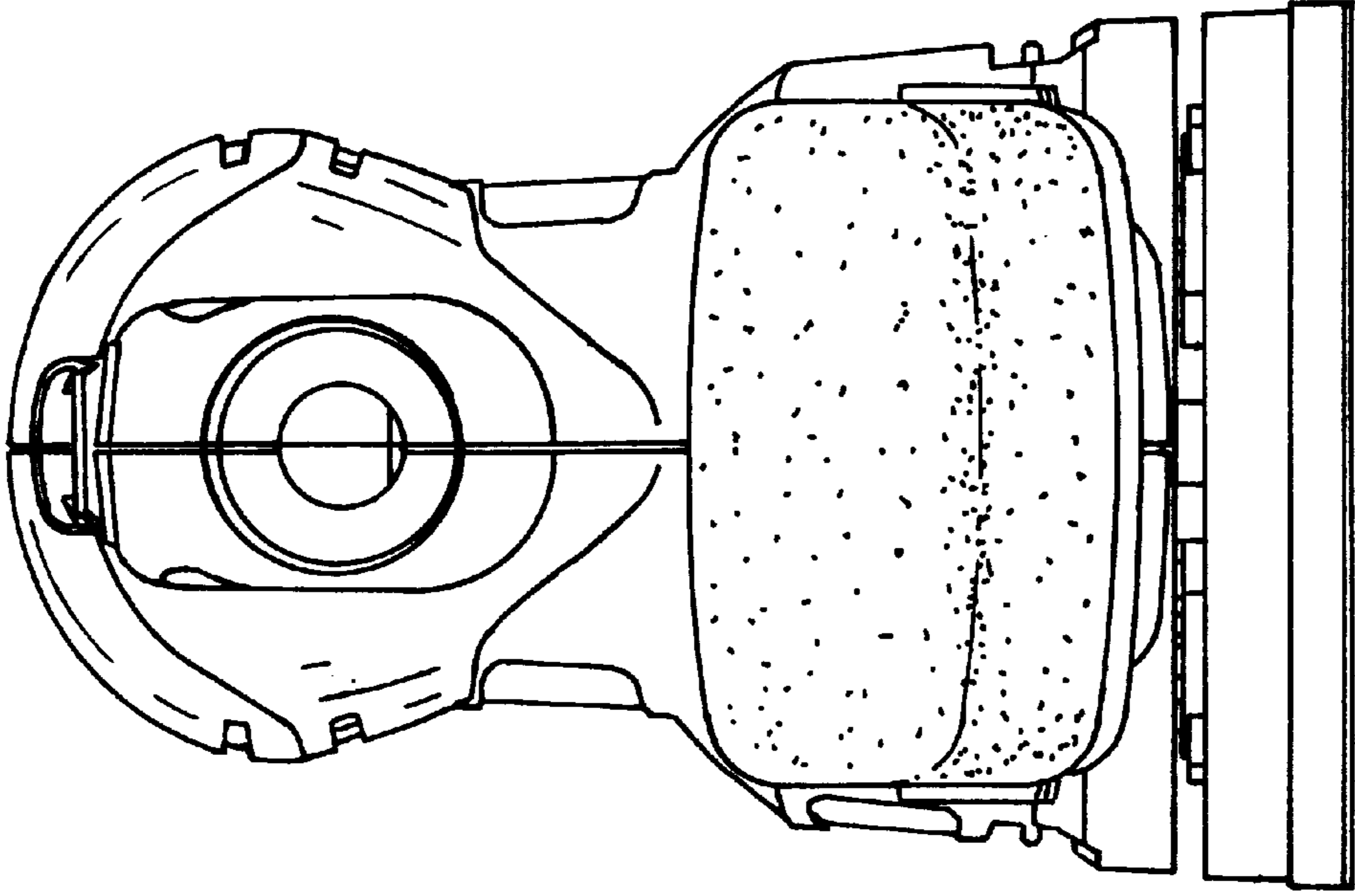


FIG.5

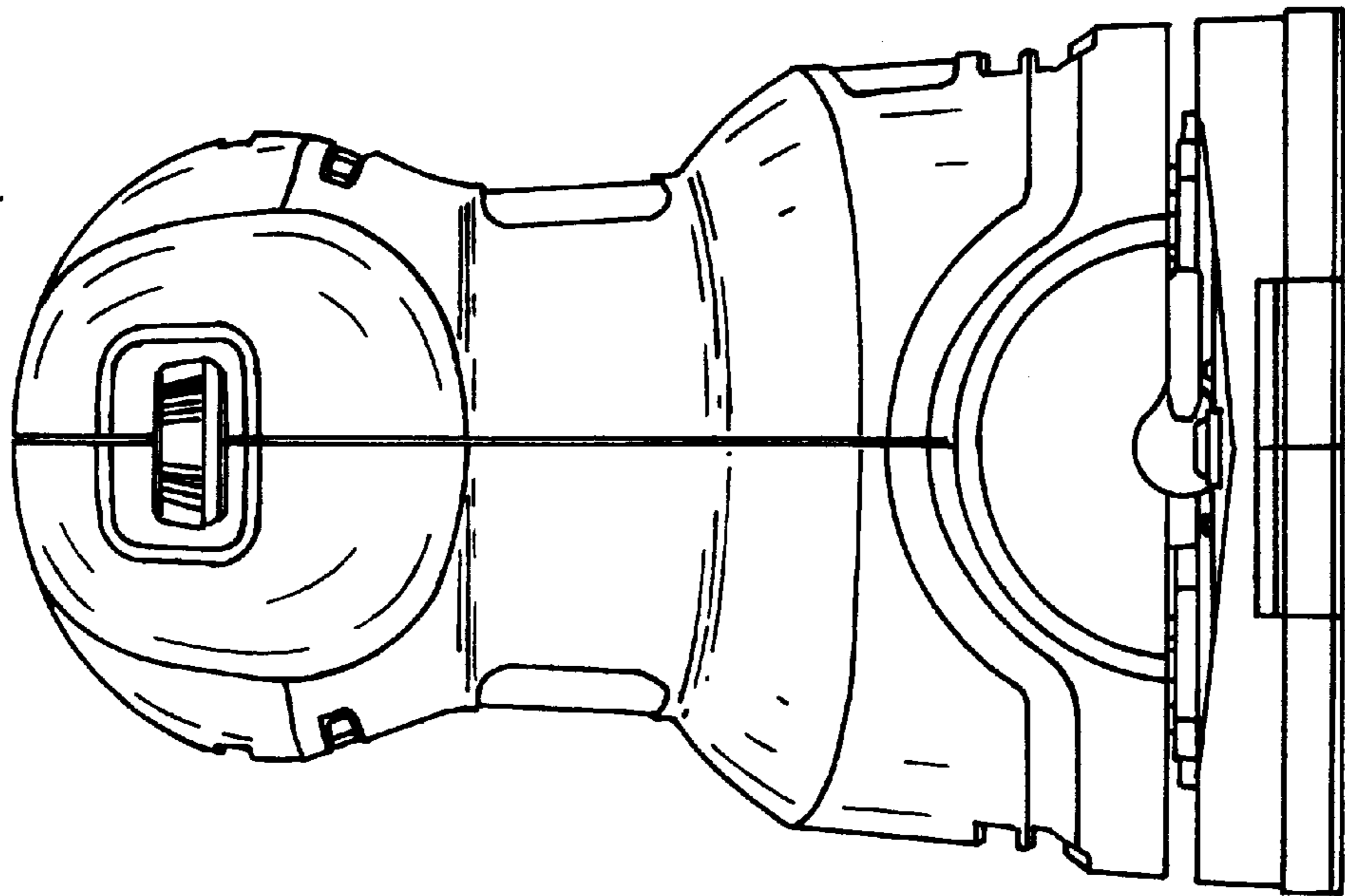


FIG.4

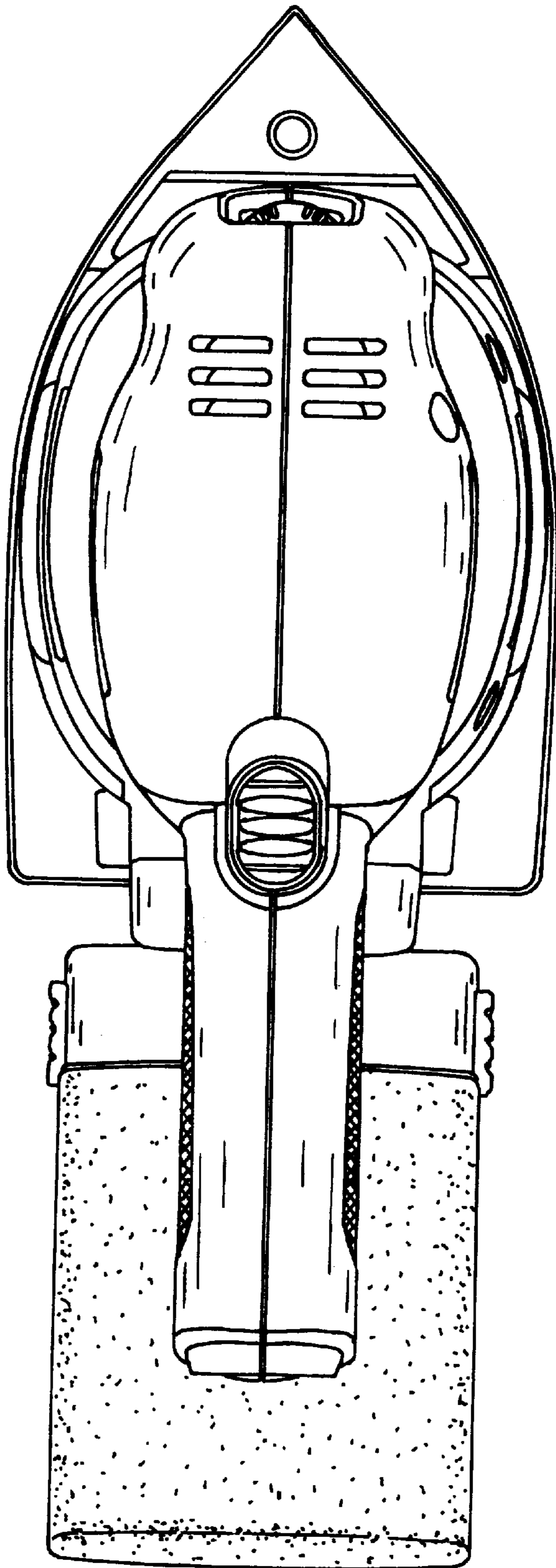


FIG.6

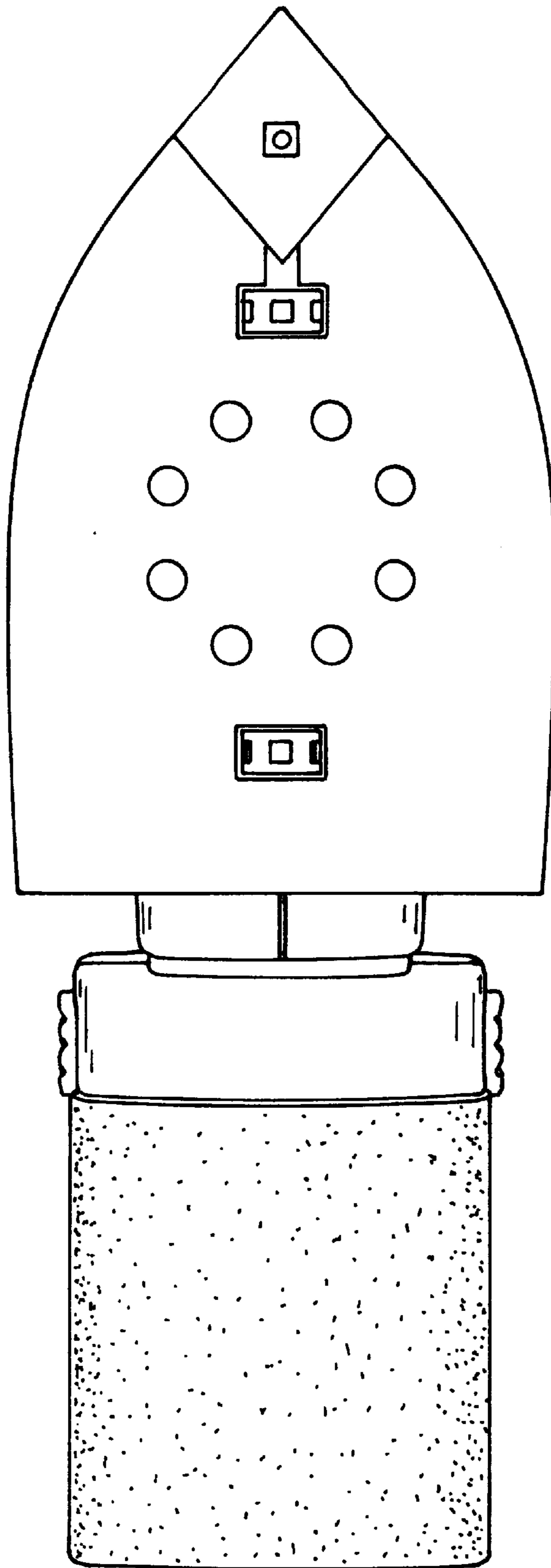


FIG.7