



US00D416450S

United States Patent [19]
Gebhardt

[11] **Patent Number: Des. 416,450**

[45] **Date of Patent: ** Nov. 16, 1999**

[54] **SPOON**

[75] Inventor: **Paul Gebhardt**, Oneida, N.Y.

[73] Assignee: **Oneida Ltd.**, Oneida, N.Y.

[**] Term: **14 Years**

[21] Appl. No.: **29/090,545**

[22] Filed: **Jul. 10, 1998**

[51] **LOC (6) Cl.** **07-03**

[52] **U.S. Cl.** **D7/653**

[58] **Field of Search** D7/642, 649, 653,
D7/662, 663, 664, 401.2; 30/147-150, 322,
324

[56] **References Cited**

U.S. PATENT DOCUMENTS

- D. 182,434 4/1958 Peters D7/662
- D. 237,579 11/1975 Cyram D7/653
- 1,779,379 10/1930 Wall 30/149

OTHER PUBLICATIONS

DM/034569; Oct. 2, 1995; WIPO; Table De France S.A.
Figs. 2.1-2.3 & 3.1-3.3, Feb. 10, 1995.
Tableware International; p. 54; Item #2; Churchill House-
wares, Feb. 1987.

Schoner Wohnen; p. 126; Middle flatware NOVA pattern,
May 1987.

Oneida brochure; Palette Stainless, Jun. 1996.

Primary Examiner—Caron D. Veynar
Attorney, Agent, or Firm—Wall Marjama Bilinski & Burr

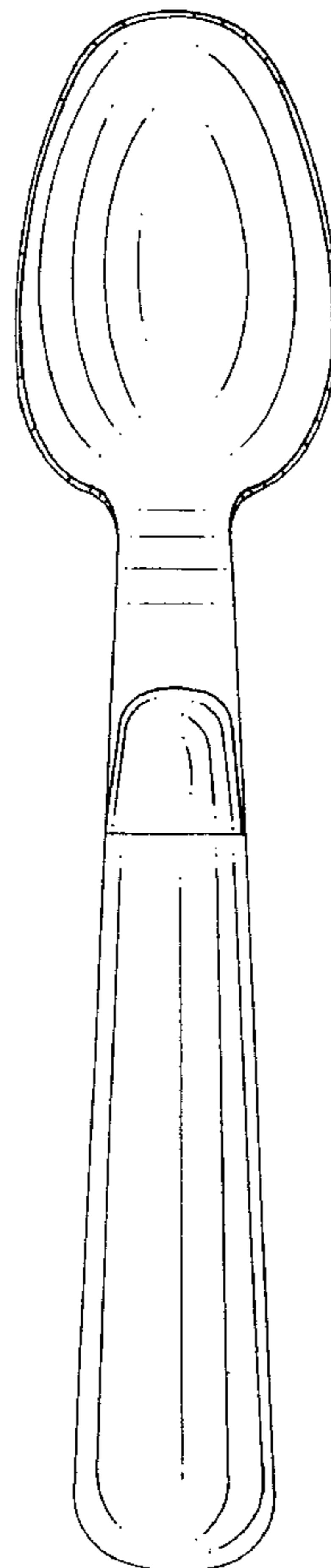
[57] **CLAIM**

The ornamental design for a spoon, as shown and described.

DESCRIPTION

FIG. 1 is a top view of a spoon showing my new design;
FIG. 2 is a right side elevational view thereof, the left side
view being a mirror image thereof;
FIG. 3 is a bottom plan view thereof;
FIG. 4 is a cross section view taken along line 4—4 of FIG.
3; and,
FIG. 5 is a cross section view taken along 5—5 of FIG. 3.

1 Claim, 1 Drawing Sheet



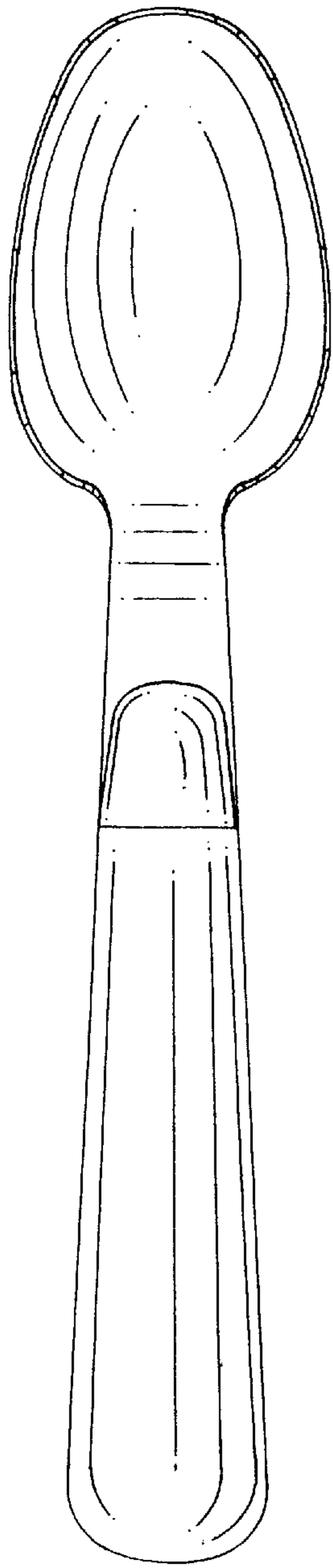


FIG.1

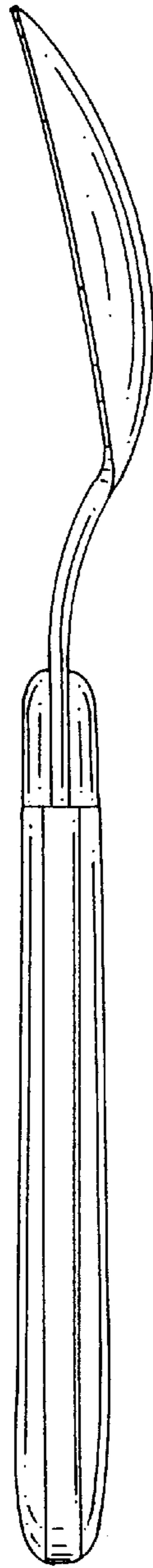


FIG.2

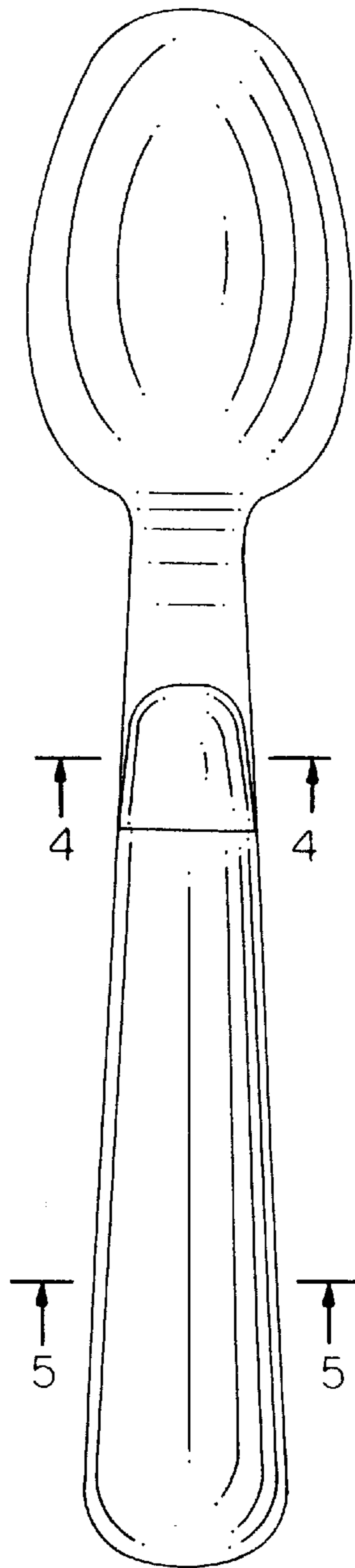


FIG.3

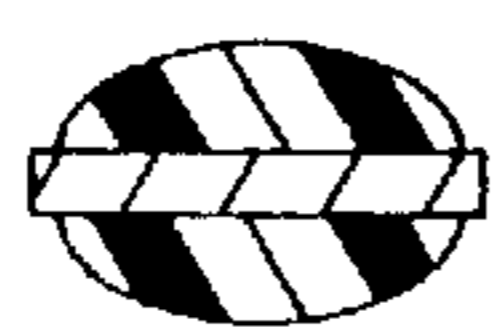


FIG.4

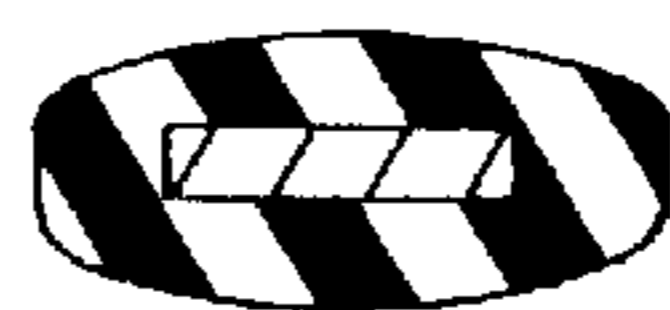


FIG.5