



US00D416445S

United States Patent [19] Henry

[11] **Patent Number: Des. 416,445**

[45] **Date of Patent: ** Nov. 16, 1999**

[54] **BAKING DISH WITH COLLAR**
[75] Inventor: **Jacques Henry**, Marcigny, France
[73] Assignee: **La Bourguignonne**, Roanne, France
[**] Term: **14 Years**
[21] Appl. No.: **29/094,072**
[22] Filed: **Sep. 24, 1998**

D. 292,164 10/1987 Oh D7/354
D. 365,498 12/1995 Lillelund et al. D7/543
1,318,678 10/1919 Luthy D7/543 X
1,627,051 5/1927 Moore D7/543 X
2,093,307 9/1937 Cline 99/DIG. 15
4,622,948 11/1986 Oh 220/574 X
4,986,434 1/1991 Prestly D7/555 X
5,269,717 12/1993 Tardif 220/574 X
5,423,451 6/1995 Snyder 220/574

Related U.S. Application Data

[62] Division of application No. 29/081,378, Dec. 31, 1997.

Foreign Application Priority Data

Aug. 29, 1997 [FR] France 97 5053

[51] **LOC (6) Cl.** **07-01**

[52] **U.S. Cl.** **D7/545; D7/543; D7/554.2; D7/354; D7/584**

[58] **Field of Search** D7/562, 561, 665, D7/568, 672, 584, 547, 555, 557, 359, 354, 610, 671, 565, 560, 543, 609, 545, 554.2, 586, 566; 270/574, 4.21, 667; 249/134, DIG. 1; 99/DIG. 15

References Cited

U.S. PATENT DOCUMENTS

D. 289,269 4/1987 Flenkenstein D7/545

Primary Examiner—M. N. Pandozzi
Attorney, Agent, or Firm—Abelman, Frayne & Schwab

[57] CLAIM

The ornamental design for baking dish with collar, as shown and described.

DESCRIPTION

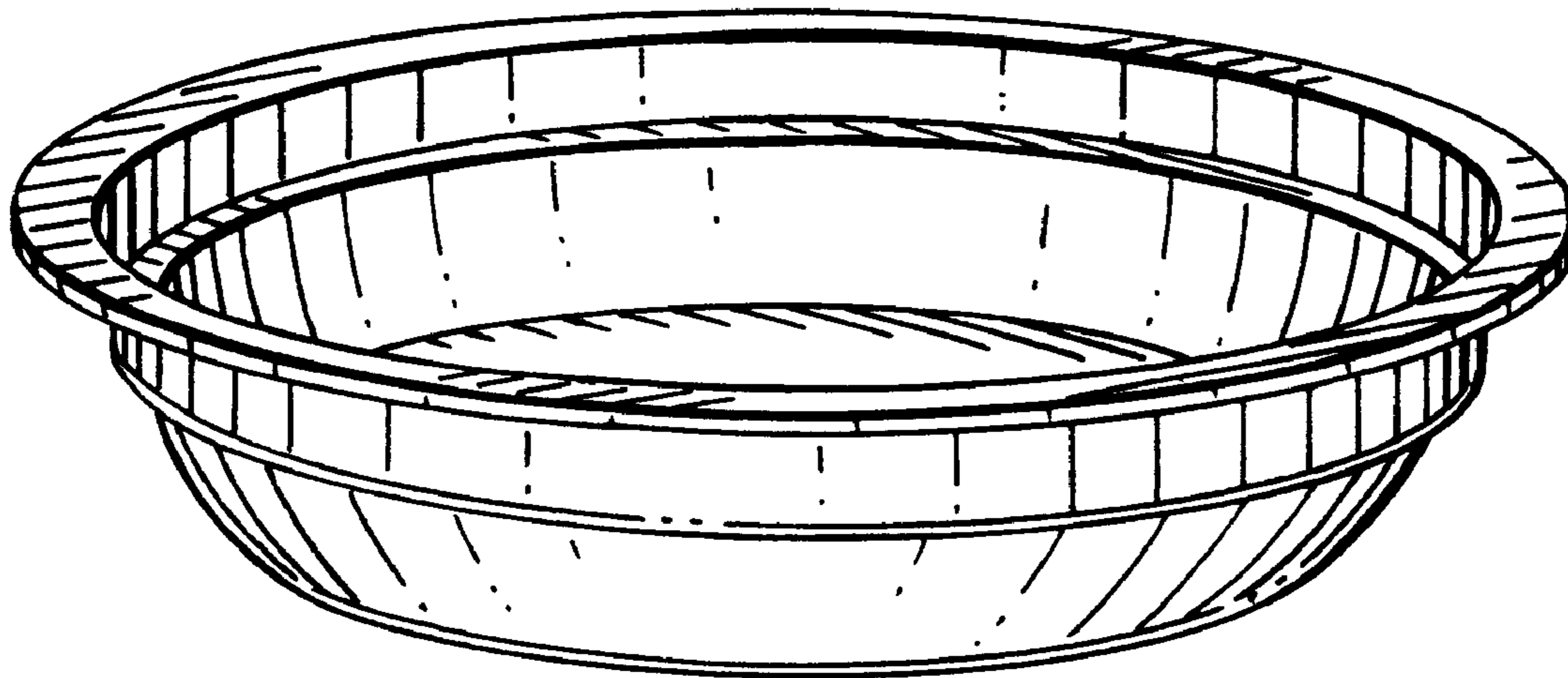
FIG. 1 is a perspective view of a dish with collar showing my new design;

FIG. 2 is a top plan view thereof;

FIG. 3 is a side elevational view thereof; and,

FIG. 4 is a bottom plan view thereof.

1 Claim, 2 Drawing Sheets



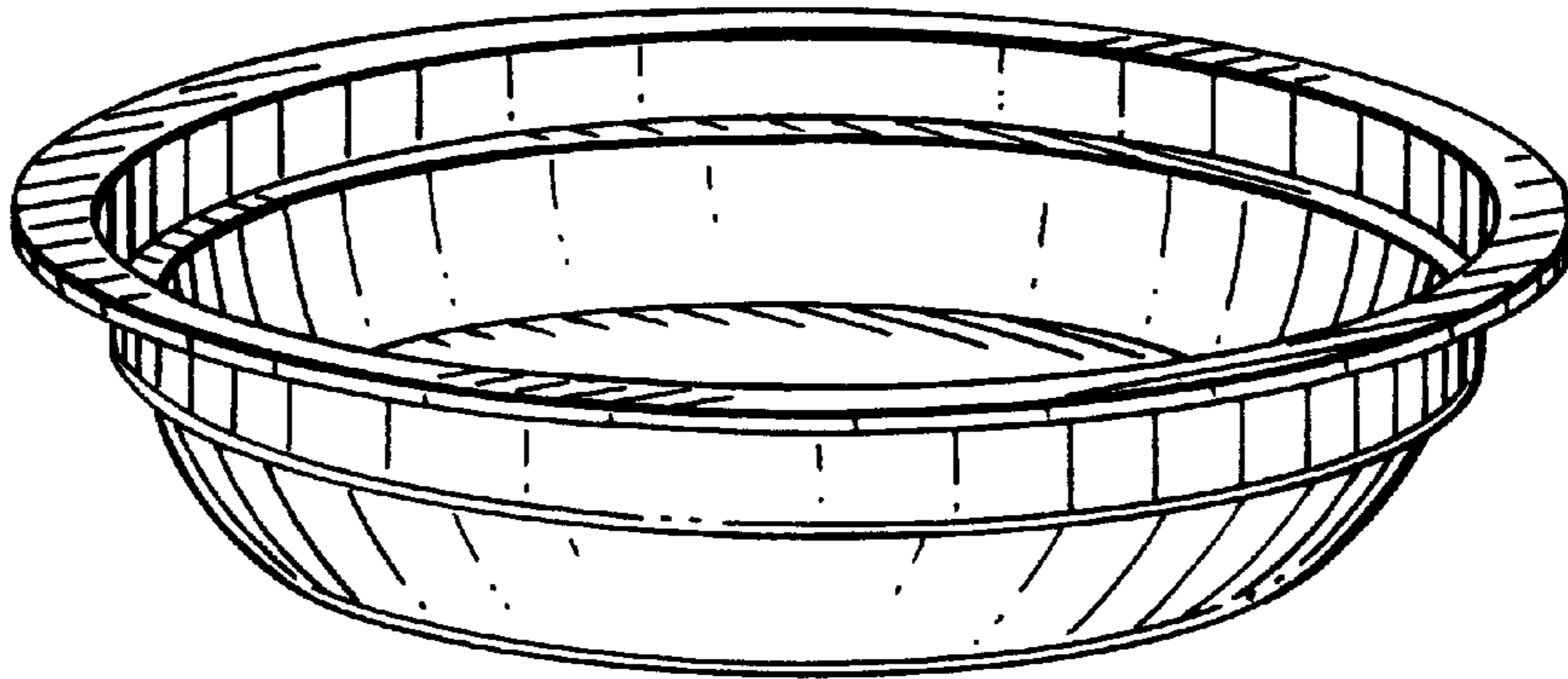


FIG. 1

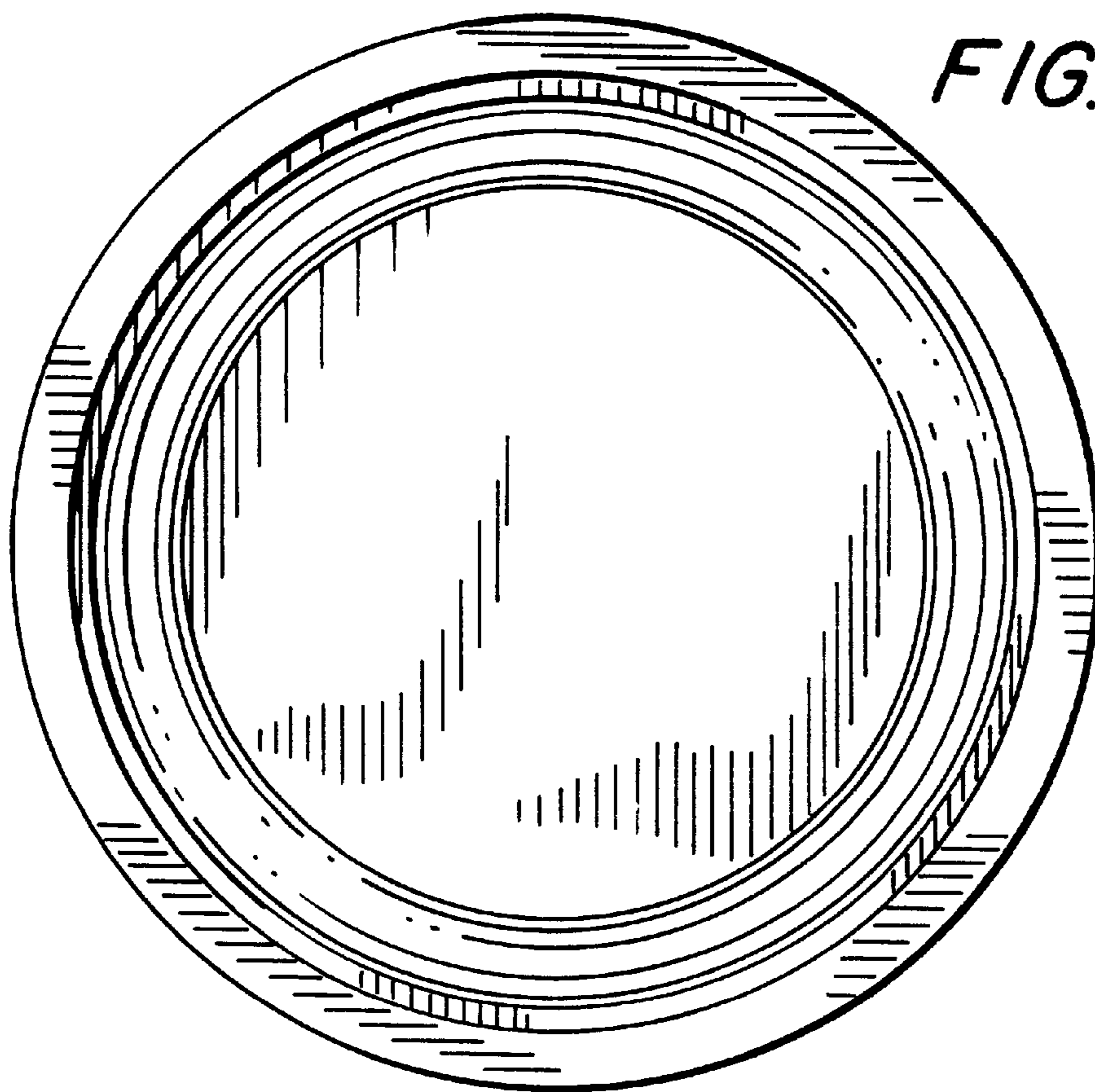


FIG. 2

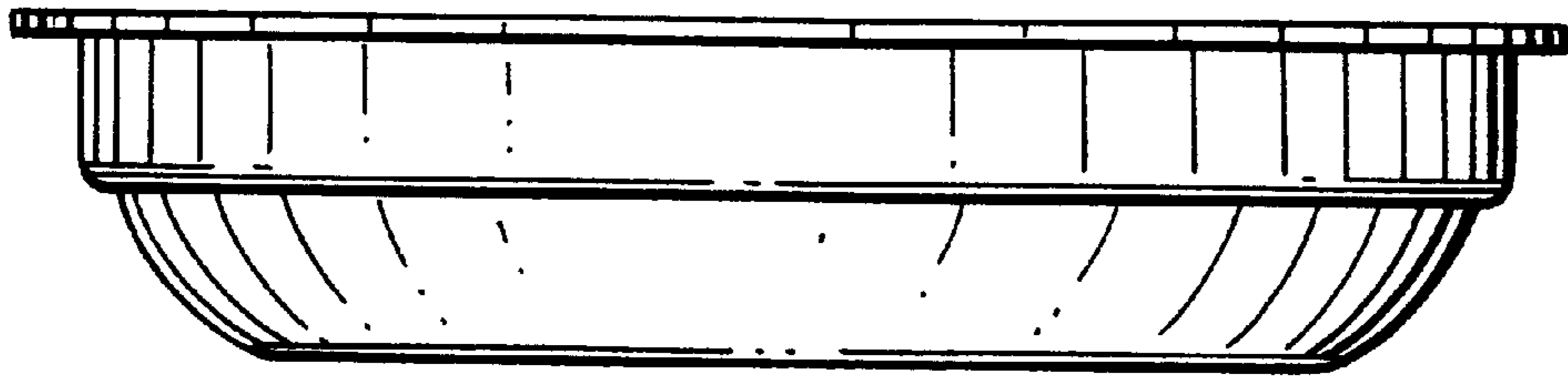


FIG. 3

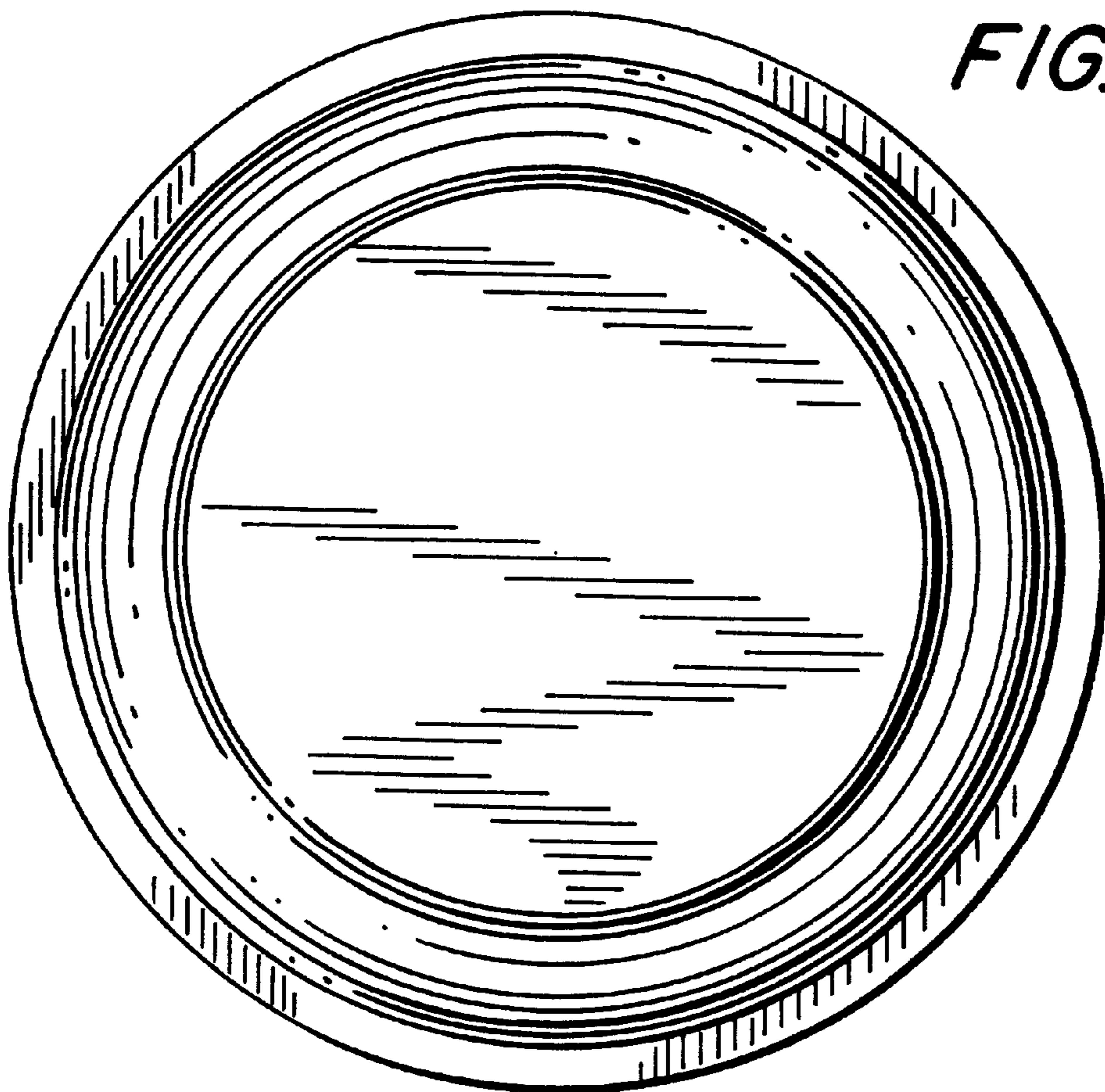


FIG. 4