



US00D416444S

**United States Patent** [19]  
**Jørgensen**

[11] **Patent Number: Des. 416,444**

[45] **Date of Patent: \*\* Nov. 16, 1999**

[54] **MUG**

D. 386,351 11/1997 Joergensen ..... D7/319  
5,029,720 7/1991 Bridges ..... D7/536 X

[76] **Inventor: Carsten Jørgensen, Pi Design AG,**  
Kantonsstrasse, CH-6234 Triengen,  
Switzerland

**OTHER PUBLICATIONS**

Coffeemaker, Boujour advertisement.

[\*\*] **Term: 14 Years**

*Primary Examiner*—M. N. Pandozzi

*Attorney, Agent, or Firm*—J. W. Gipple; Gipple & Hale

[21] **Appl. No.: 29/034,134**

[22] **Filed: Jan. 27, 1995**

[57] **CLAIM**

The ornamental design for a mug, as shown.

[51] **LOC (6) Cl. .... 07-01**

**DESCRIPTION**

[52] **U.S. Cl. .... D7/536; D7/533**

[58] **Field of Search .... D7/536, 533, 312,**  
D7/319, 318, 509, 523, 622; 220/715, 713,  
714; 215/229

FIG. 1 is an oblique perspective view of the mug showing my new design;

FIG. 2 is a front view of the mug showing my new design;

FIG. 3 is a back view of the mug showing my design;

FIG. 4 is a right side view of the mug showing my new design;

FIG. 5 is a left side view of the mug showing my new design;

FIG. 6 is a top plan view of the mug showing my new design; and

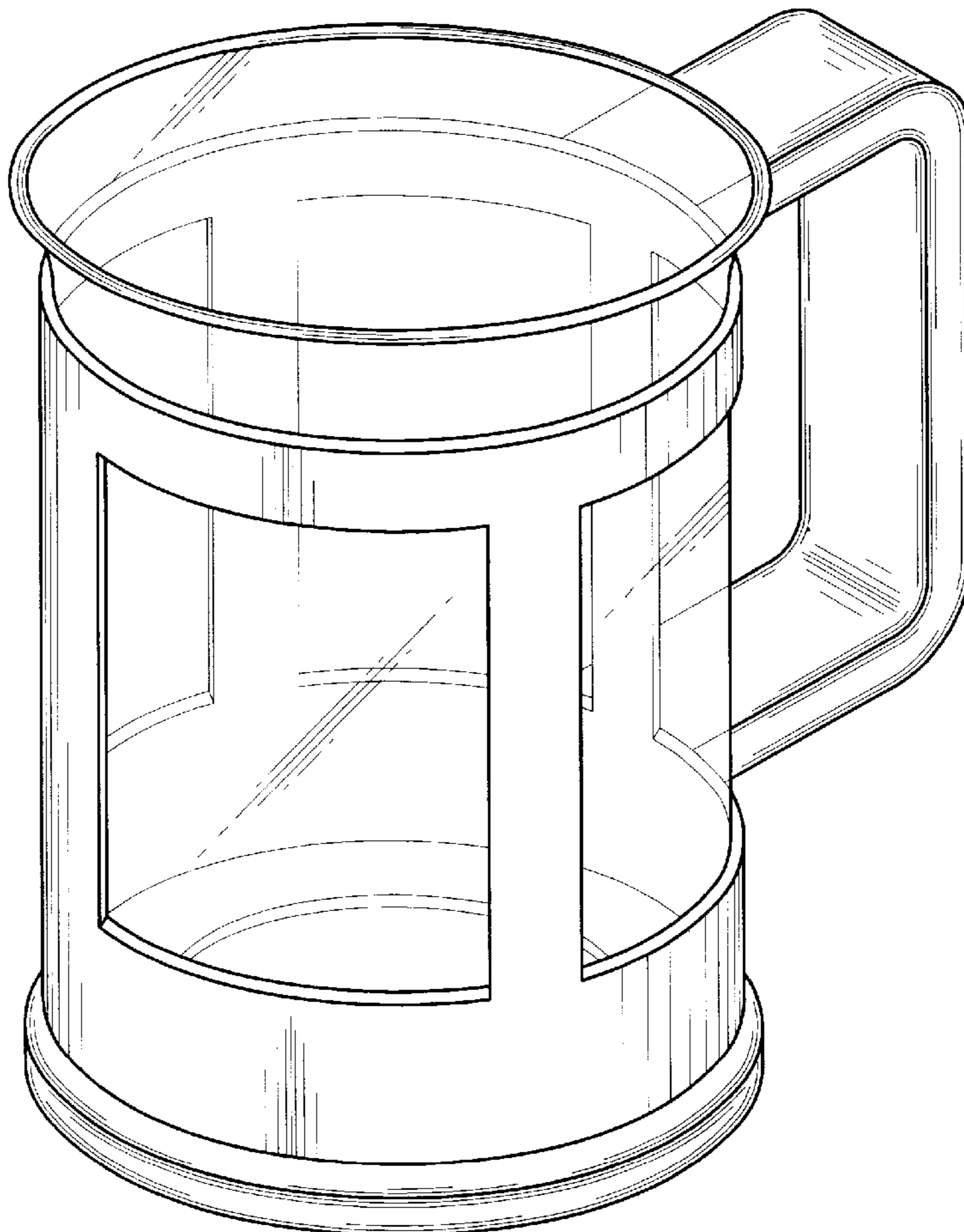
FIG. 7 is a bottom view of the mug showing my new design.

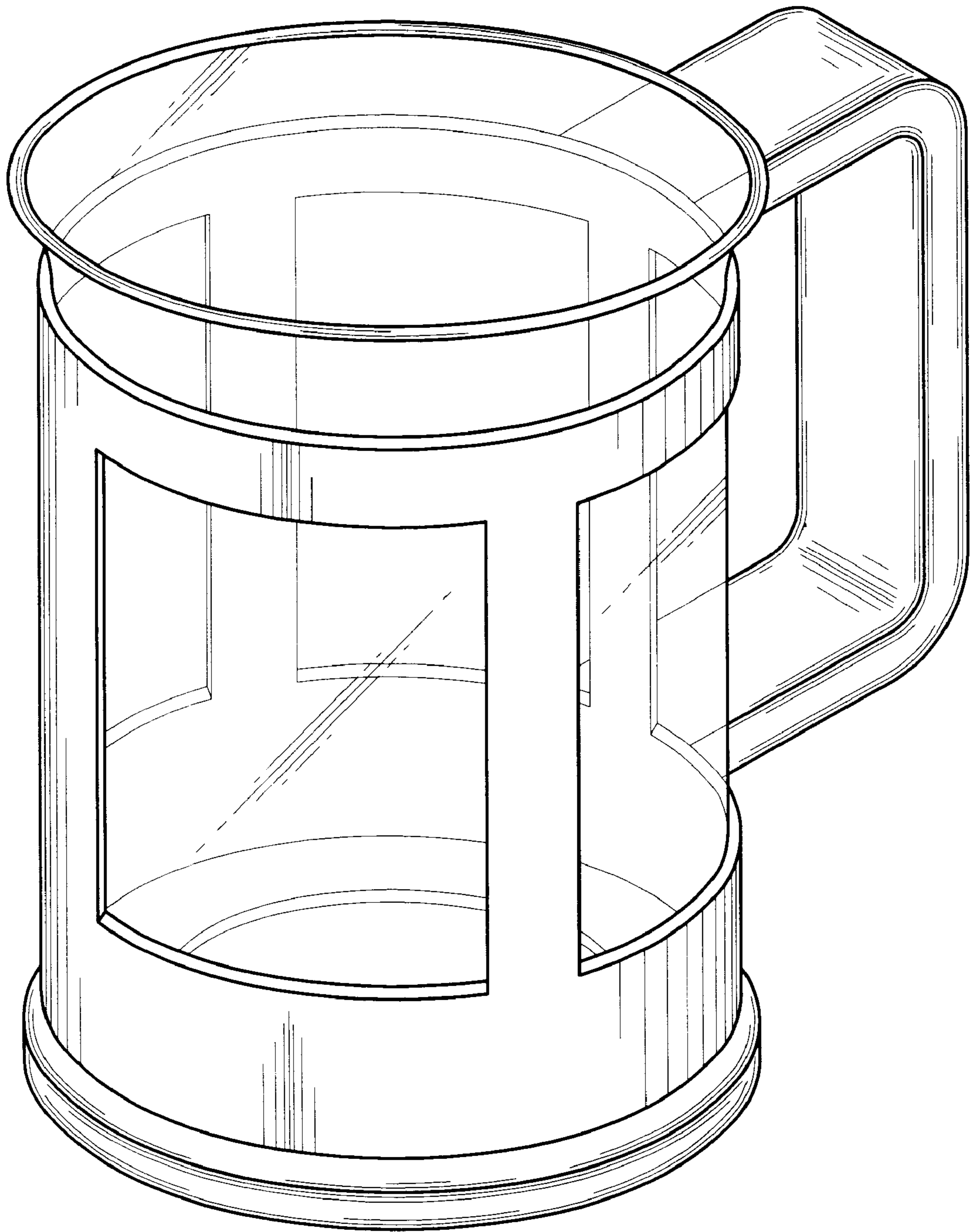
[56] **References Cited**

**U.S. PATENT DOCUMENTS**

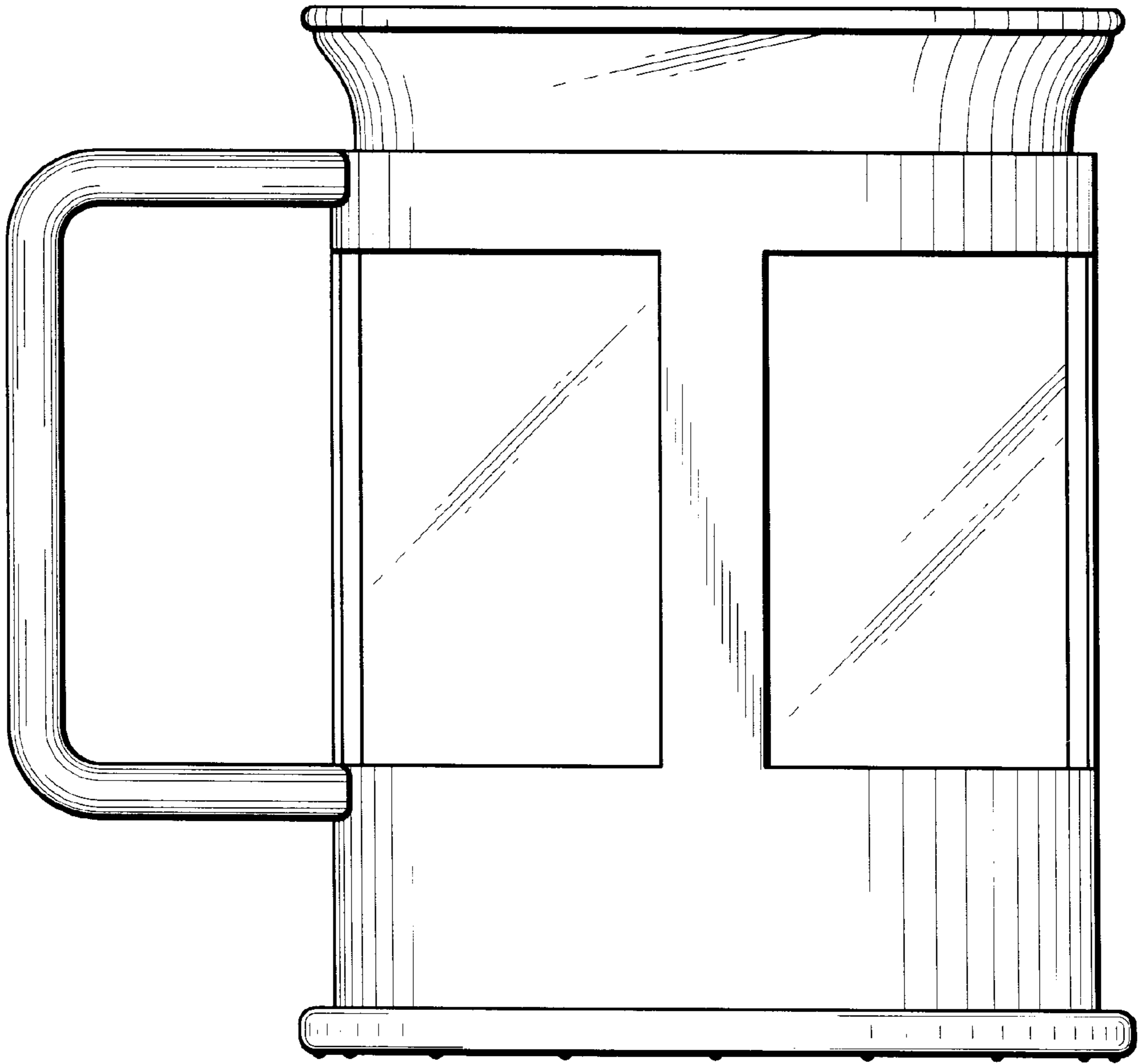
D. 69,815	4/1926	Bultman	.....	D7/312
D. 247,277	2/1978	Refsgaard Andersen	.....	D7/536
D. 269,147	5/1983	Trombly	.....	D7/536
D. 350,457	9/1994	Bailey	.....	D7/509 X
D. 363,414	10/1995	Goto et al.	.....	D7/533
D. 383,039	9/1997	Densmore	.....	D7/536
D. 384,246	9/1997	McKnight	.....	D7/509

**1 Claim, 7 Drawing Sheets**

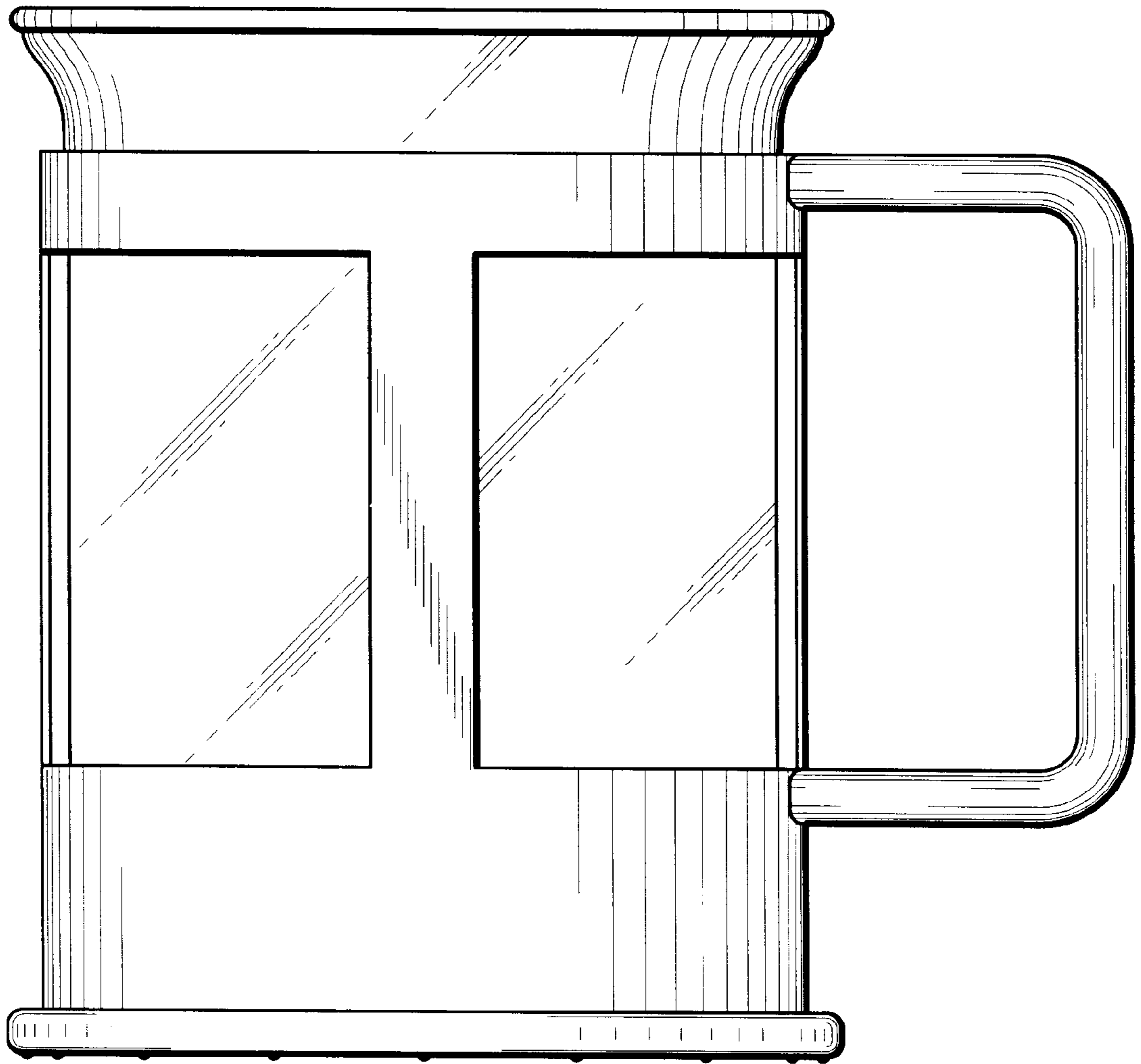




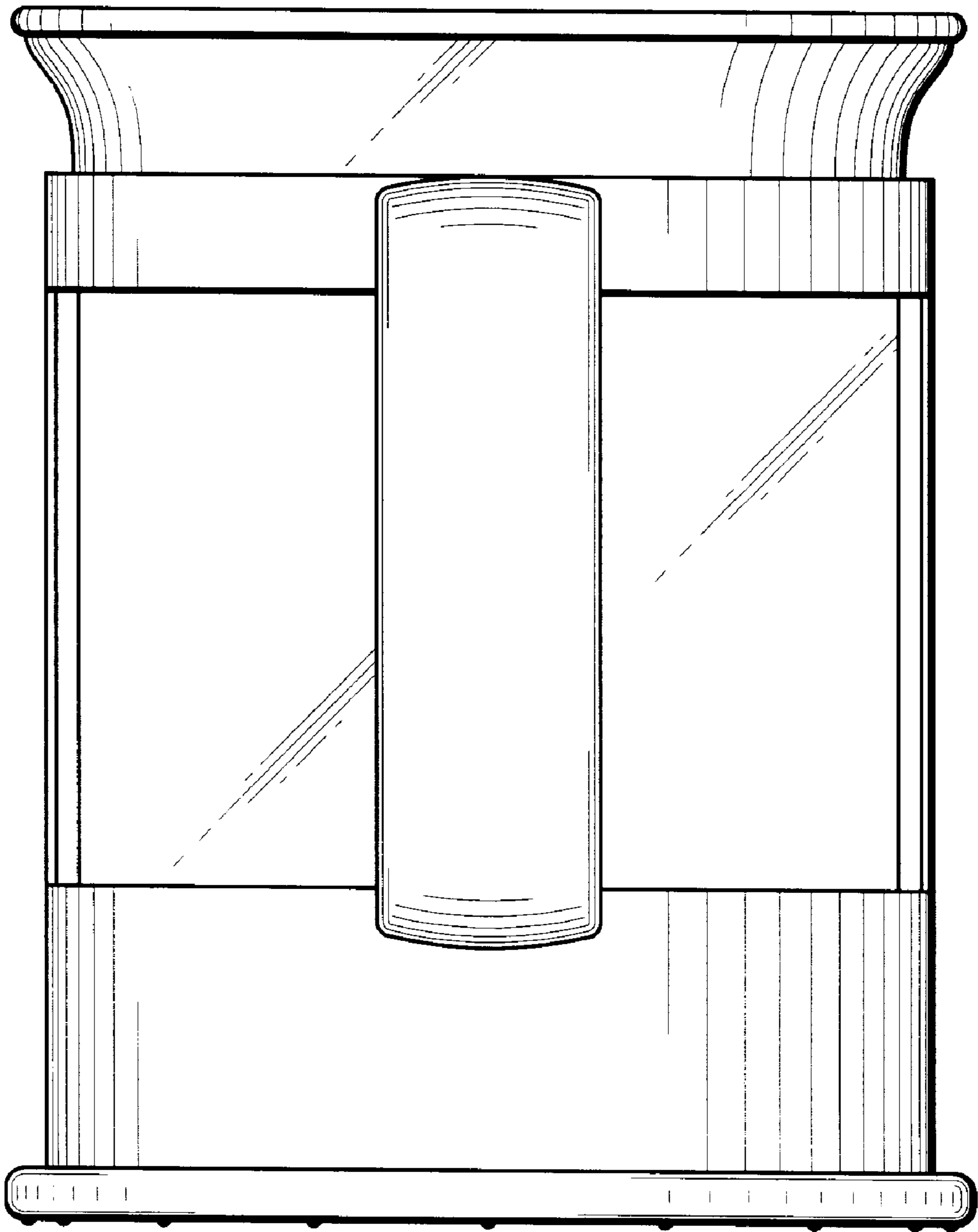
*Fig. 1*



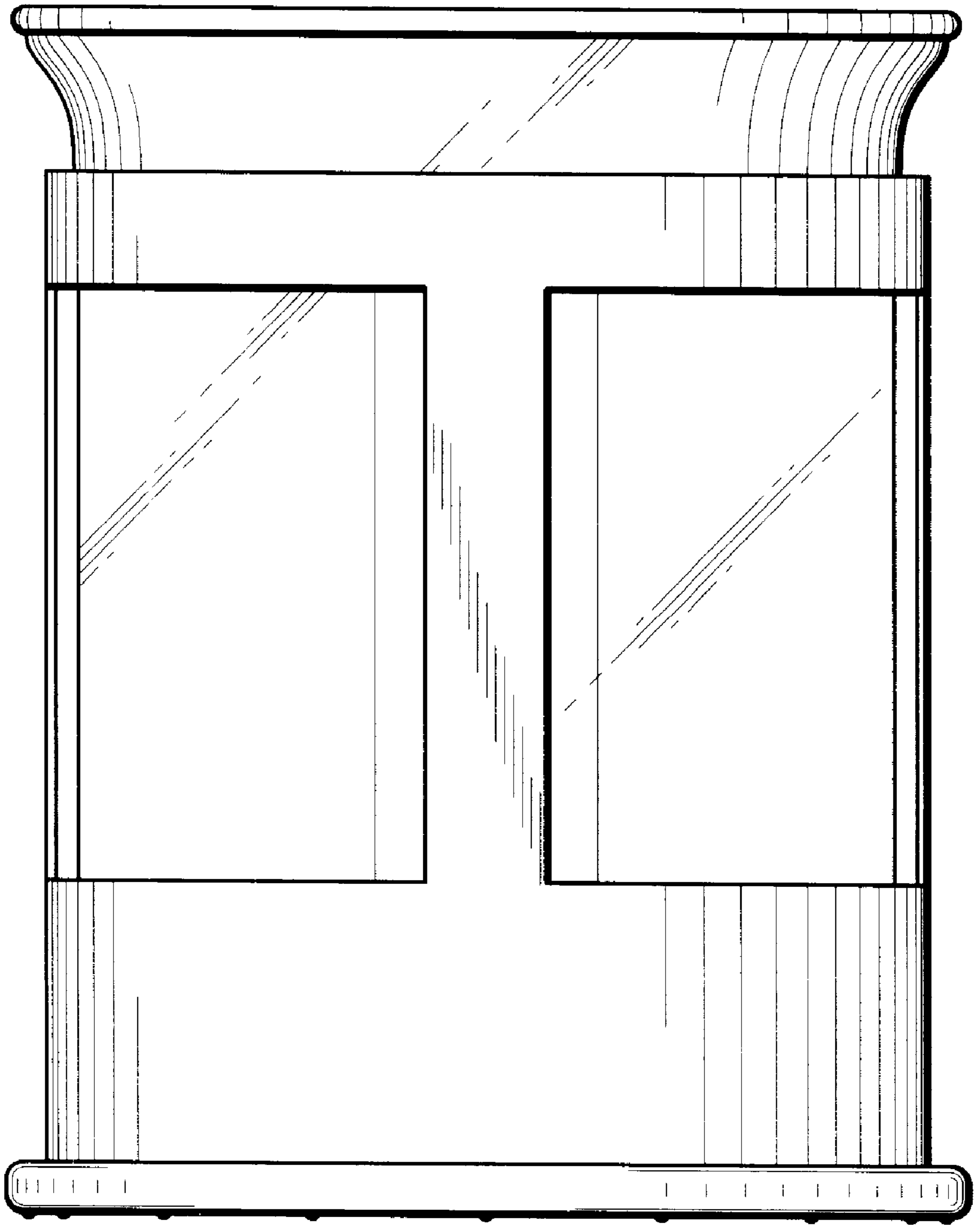
*Fig. 2*



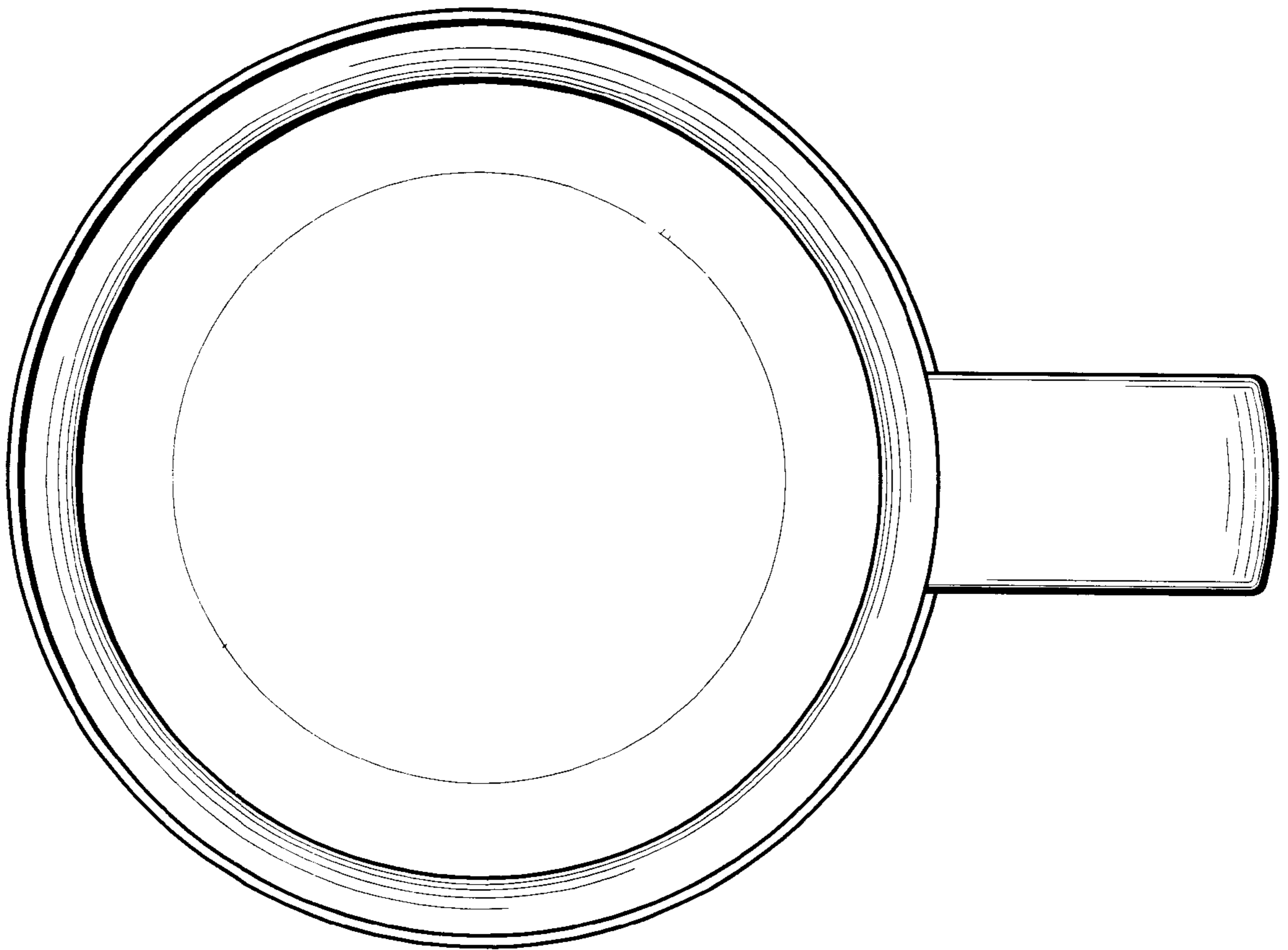
*Fig. 3*



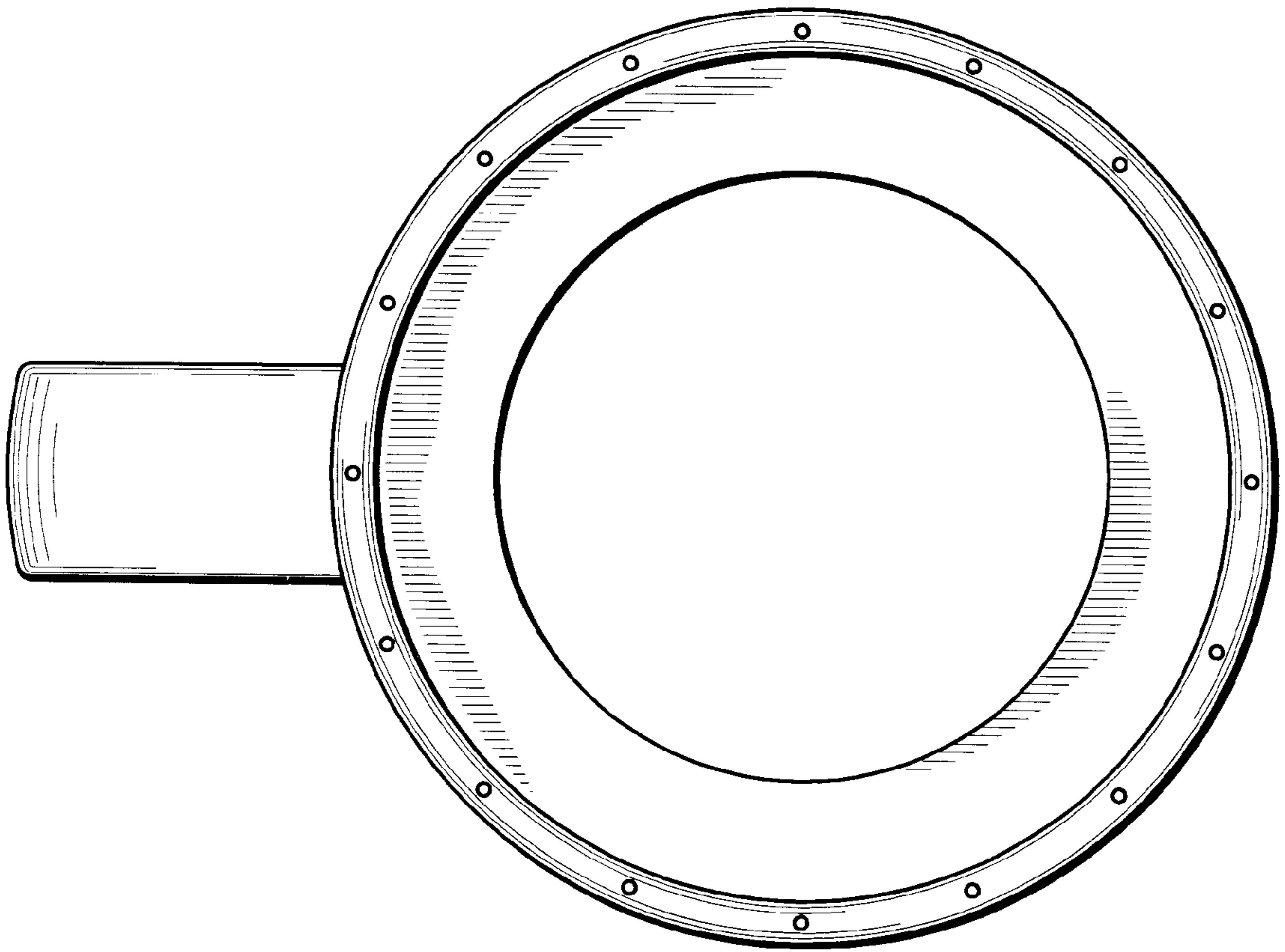
*Fig. 4*



*Fig. 5*



*Fig. 6*



*Fig. 7*