



US00D416442S

United States Patent [19]
Gilchrist

[11] **Patent Number: Des. 416,442**

[45] **Date of Patent: ** Nov. 16, 1999**

[54] **SHELLFISH GRATE**

[76] Inventor: **Timothy Gilchrist**, 31 Quail La.,
Charlestown, R.I. 02813

[**] Term: **14 Years**

[21] Appl. No.: **29/076,488**

[22] Filed: **Sep. 10, 1997**

[51] **LOC (6) Cl.** **07-02**

[52] **U.S. Cl.** **D7/409; D7/388**

[58] **Field of Search** D7/323, 388, 409;
126/505, 506, 540, 337 R, 332, 1 R, 25 R,
27, 29, 30, 25 A; 220/23.6

[56] **References Cited**

U.S. PATENT DOCUMENTS

D. 183,298	8/1958	Browne	D7/409
2,217,987	10/1940	Langel	220/23.6
2,868,189	1/1959	Watrous	126/25 A
3,765,397	10/1973	Henderson	126/25 R

Primary Examiner—Caron D. Veynar
Attorney, Agent, or Firm—Salter & Michaelson

[57] **CLAIM**

The ornamental design for a shellfish grate, as shown and described.

DESCRIPTION

FIG. 1 is a perspective view of a shellfish grate showing my

new design, the broken line showing of a barbecue grill grate and shellfish are for illustrative purposes only and form no part of the claimed design;

FIG. 2 is a perspective view of the shellfish grate

FIG. 3 is a top plan view thereof;

FIG. 4 is a bottom plan view thereof;

FIG. 5 is a right side view thereof;

FIG. 6 is a left side view thereof;

FIG. 7 is a front view thereof;

FIG. 8 is a rear view thereof;

FIG. 9 is a perspective view of a second embodiment of the shellfish grate;

FIG. 10 is a top plan view of the shellfish grate illustrated in FIG. 9;

FIG. 11 is a bottom plan view thereof;

FIG. 12 is a front view thereof;

FIG. 13 is a rear view thereof;

FIG. 14 is a right side view thereof;

FIG. 15 is a left side view thereof;

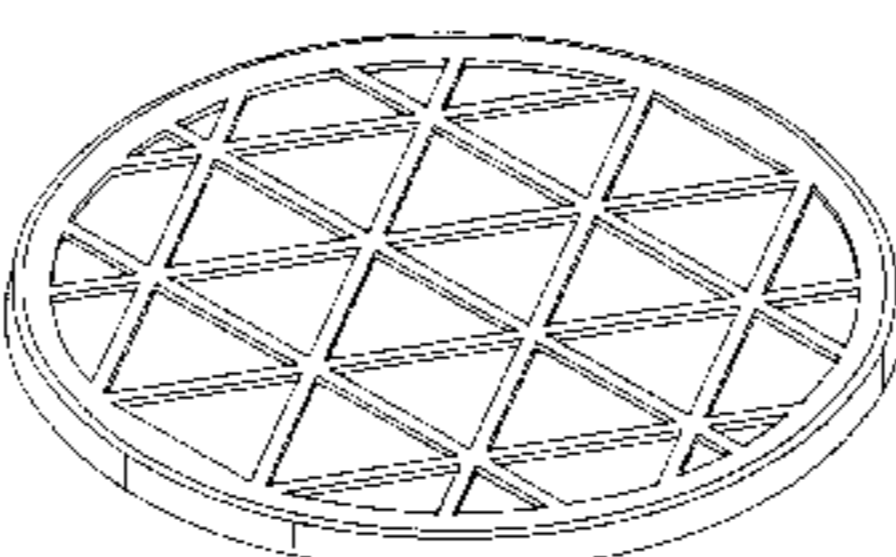
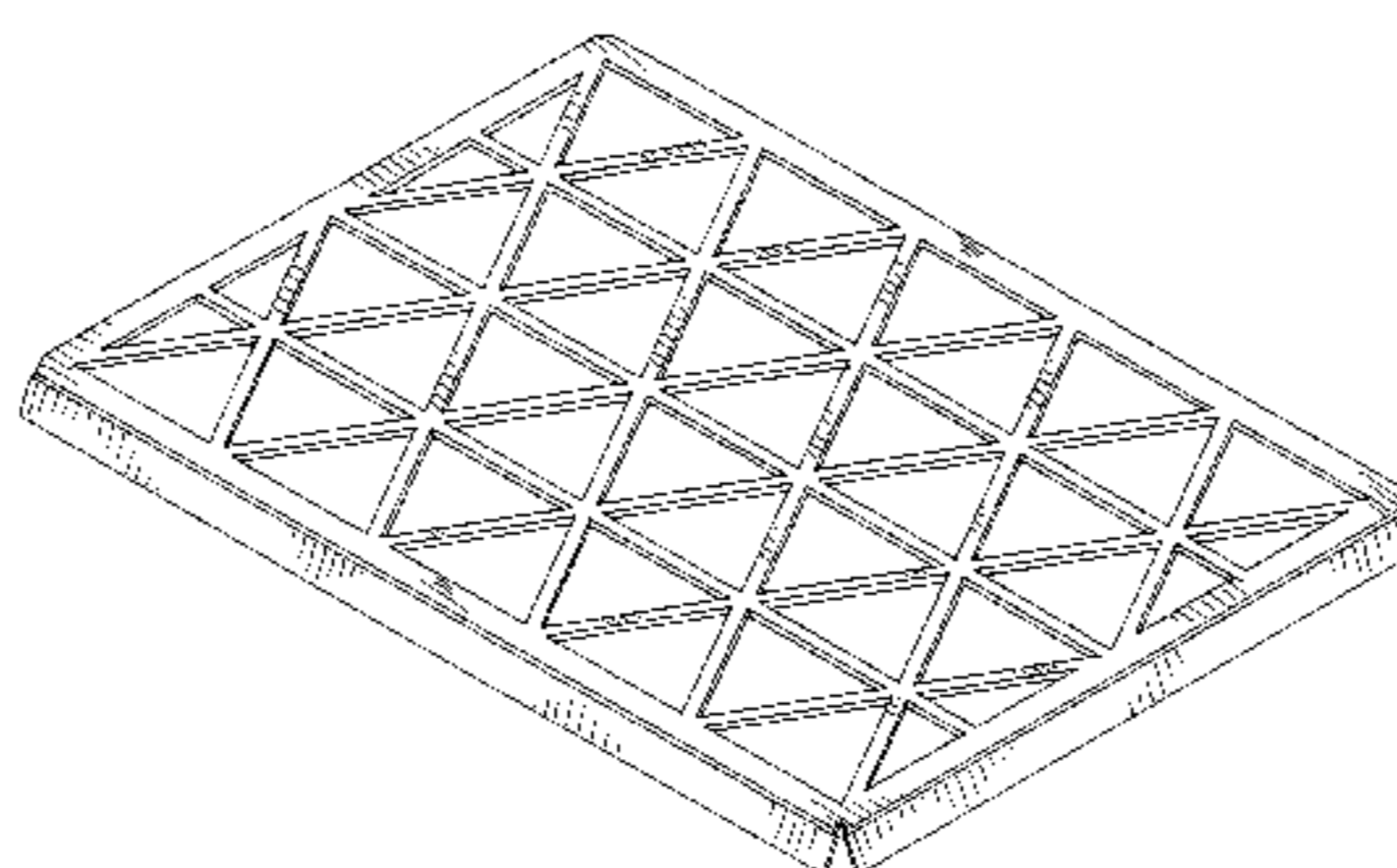
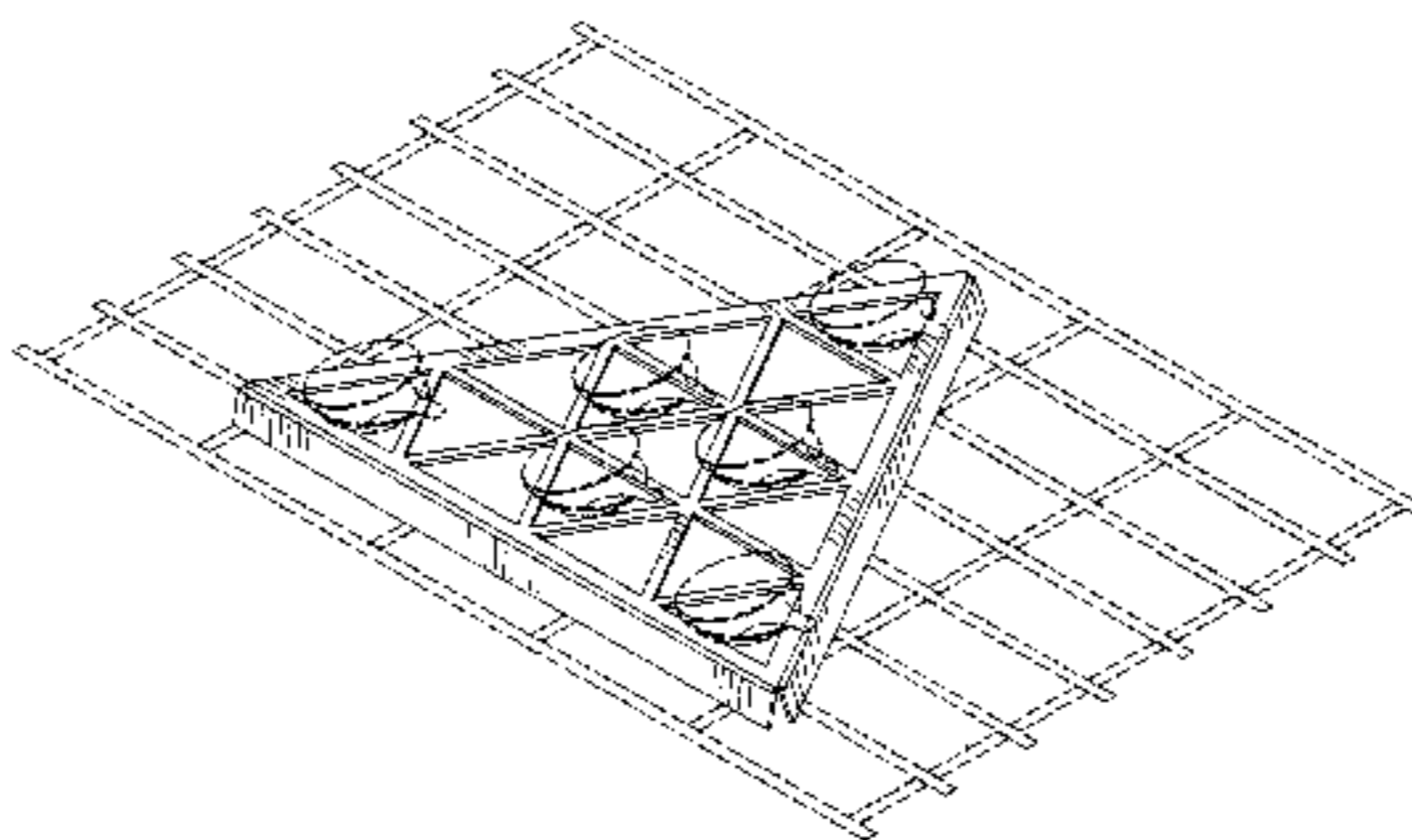
FIG. 16 is a perspective view of a third embodiment of the shellfish grate;

FIG. 17 is a top plan view thereof;

FIG. 18 is a bottom plan view thereof; and,

FIG. 19 is a side elevation view thereof, all other side views are identical.

1 Claim, 7 Drawing Sheets



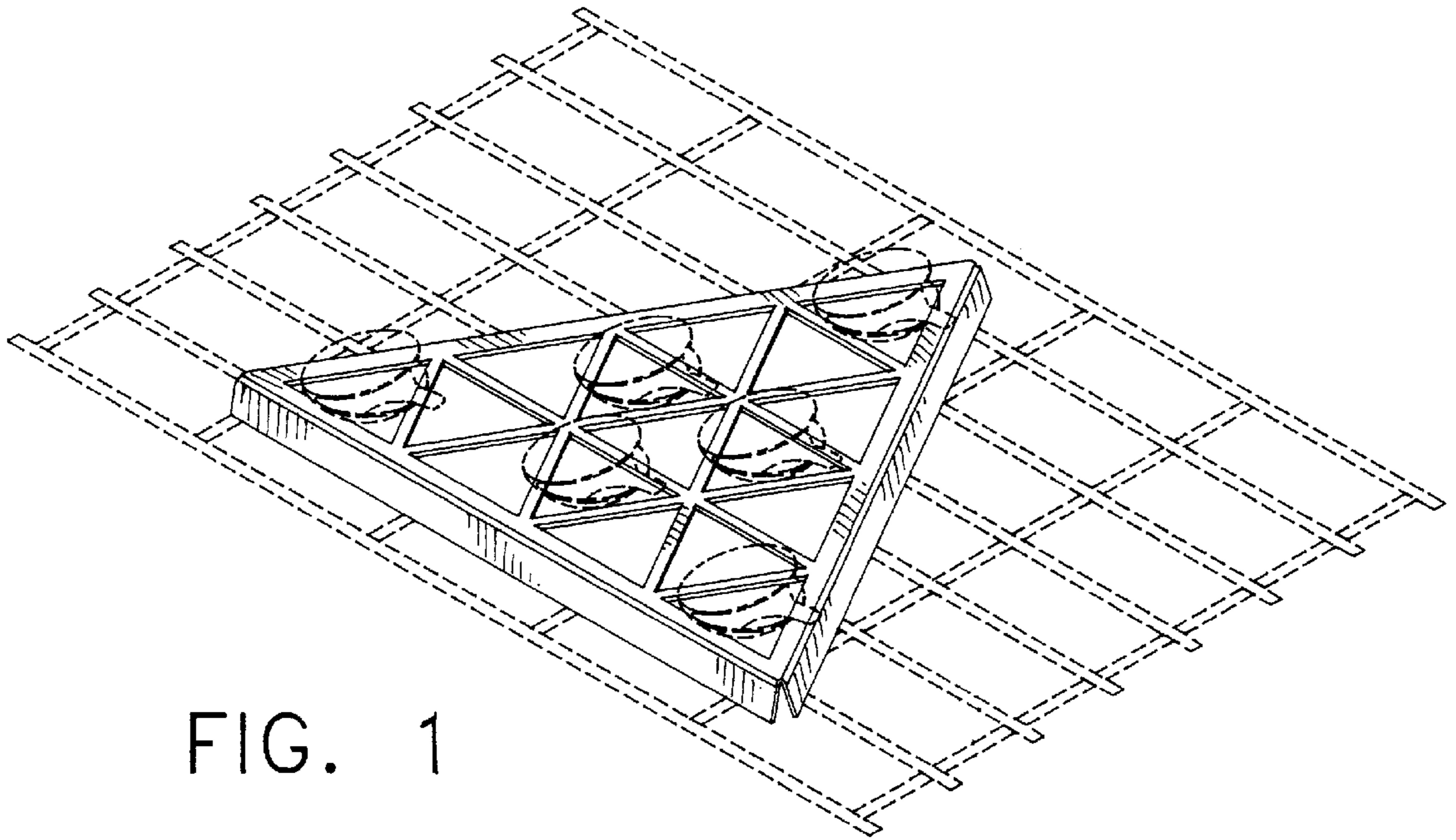


FIG. 1

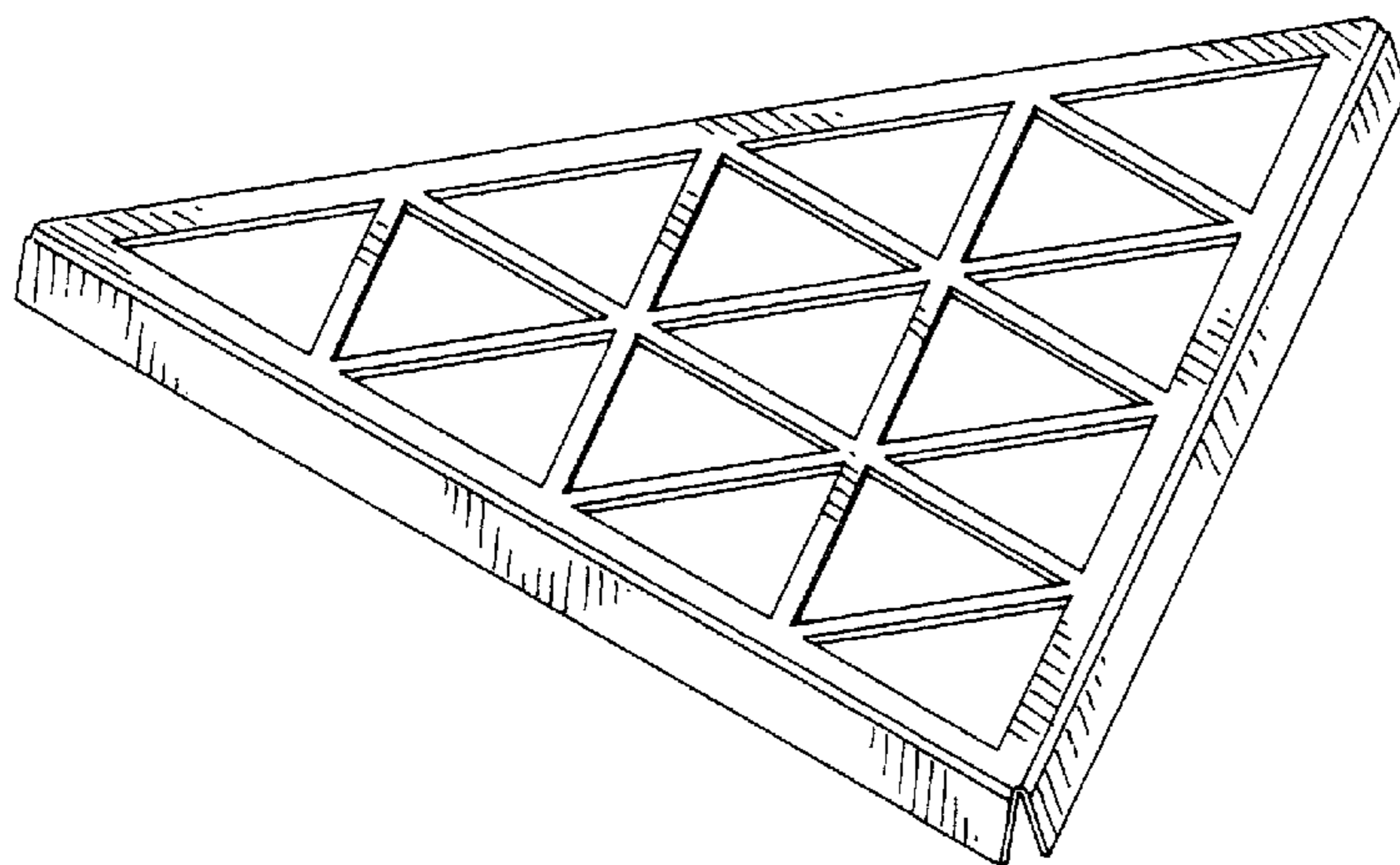


FIG. 2

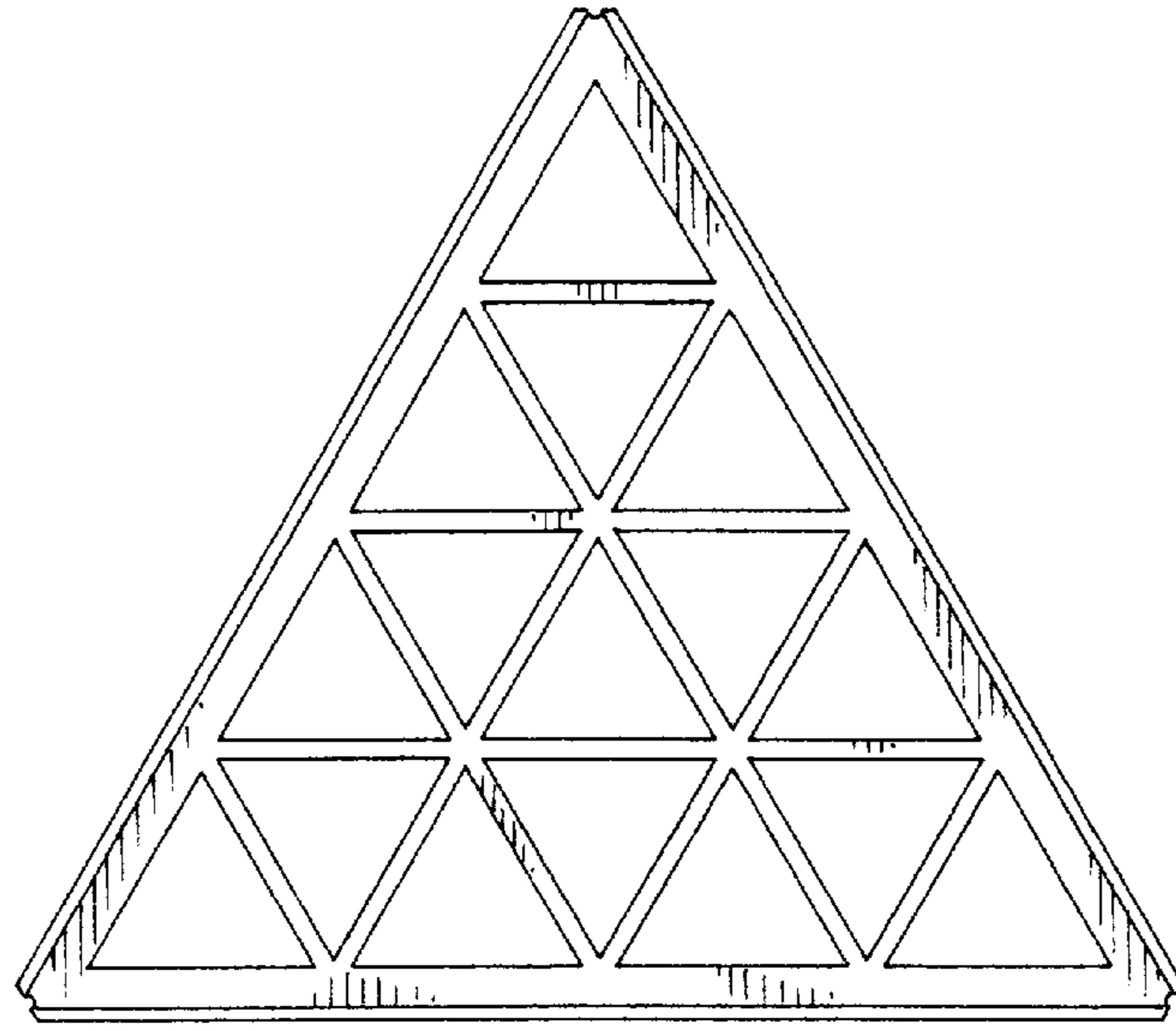


FIG. 3

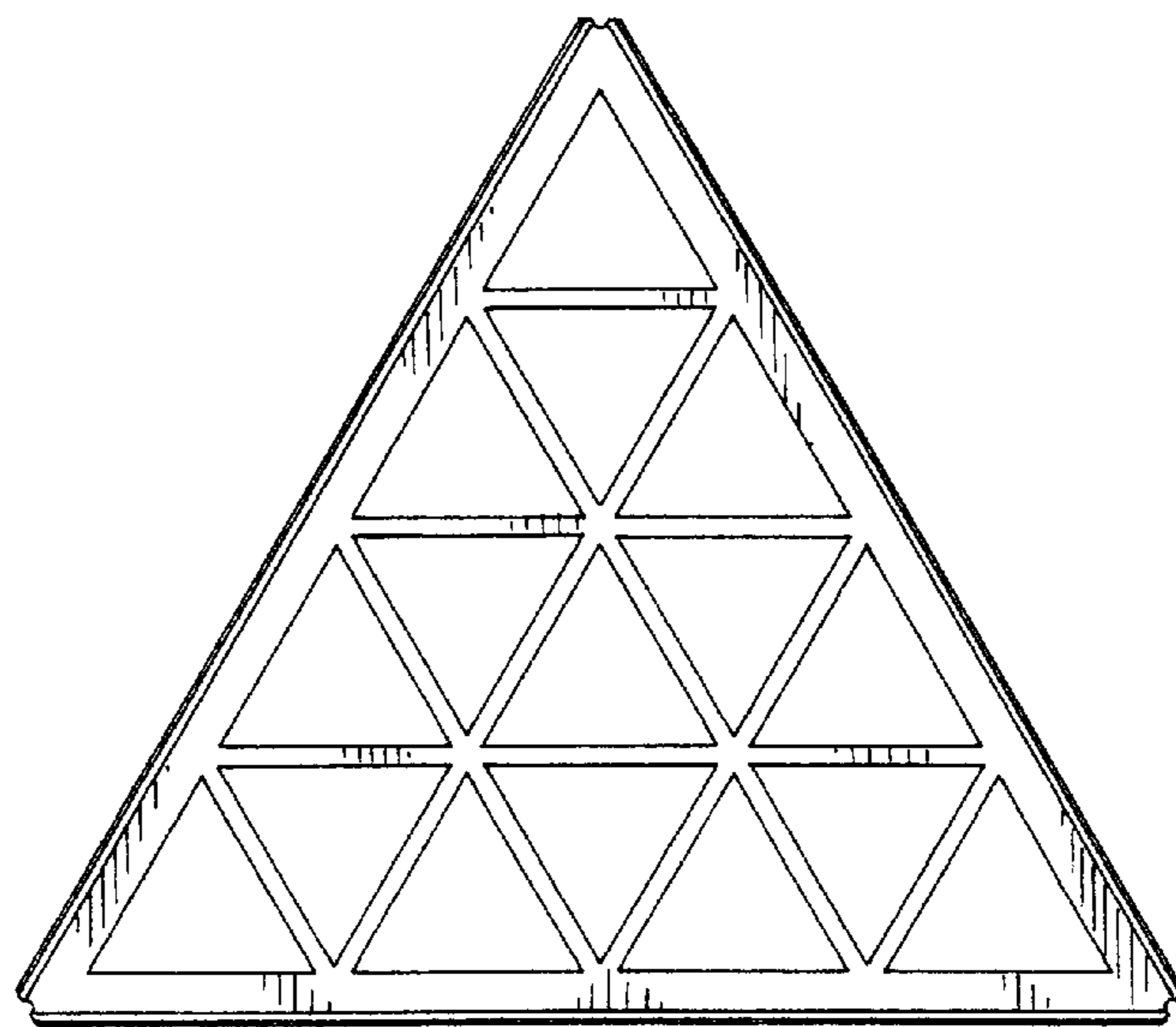


FIG. 4

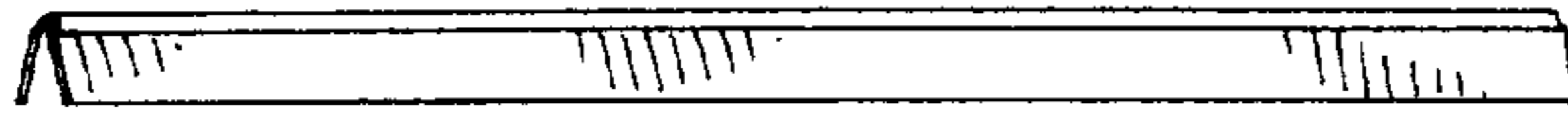


FIG. 5

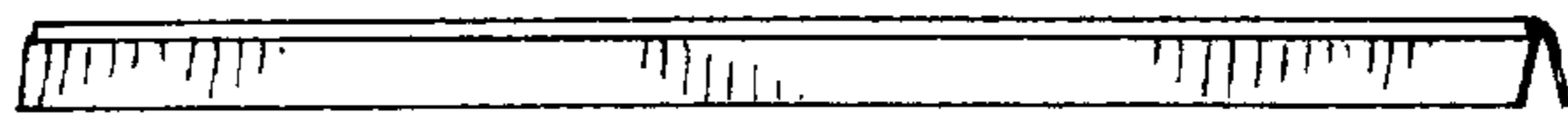


FIG. 6



FIG. 7



FIG. 8

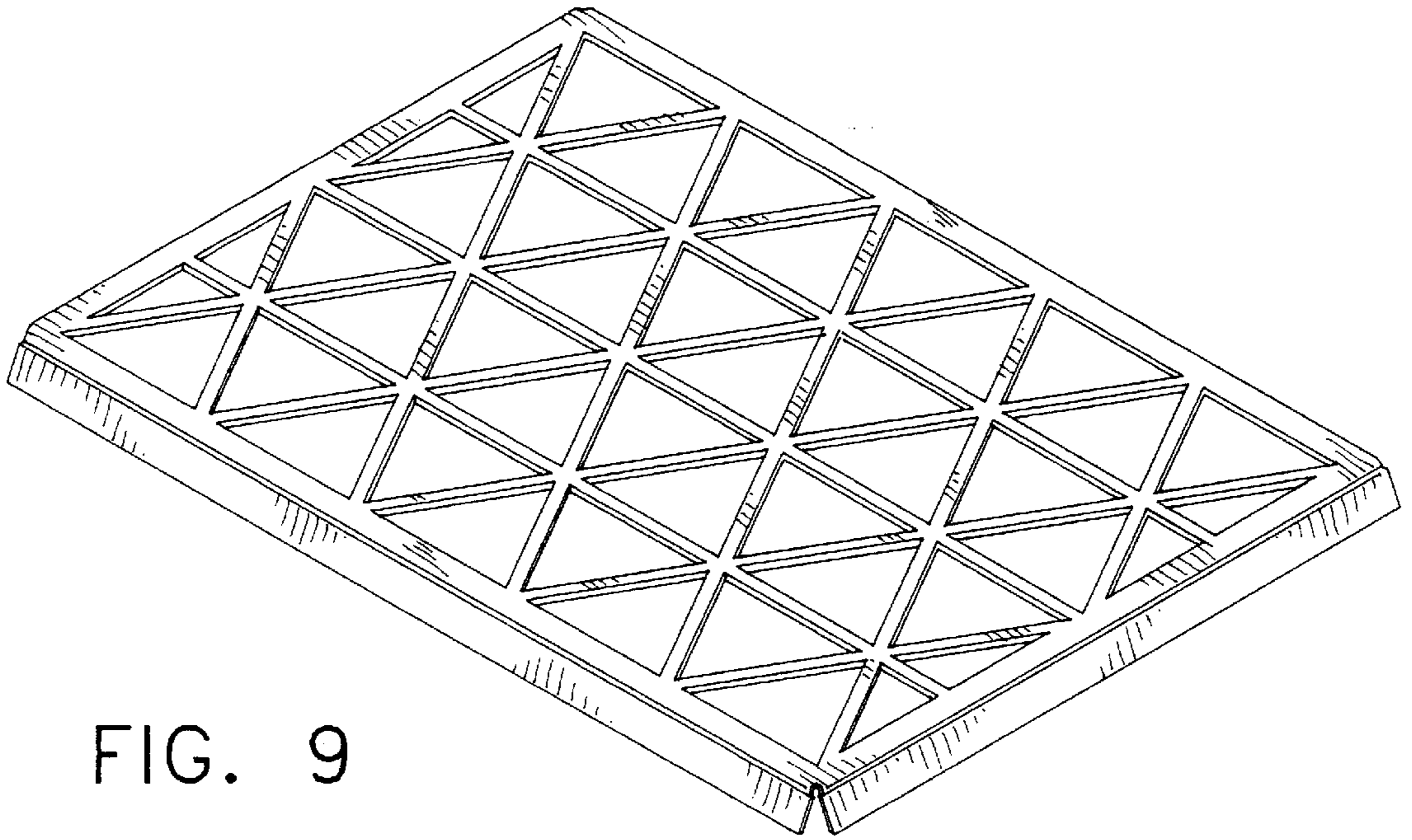


FIG. 9

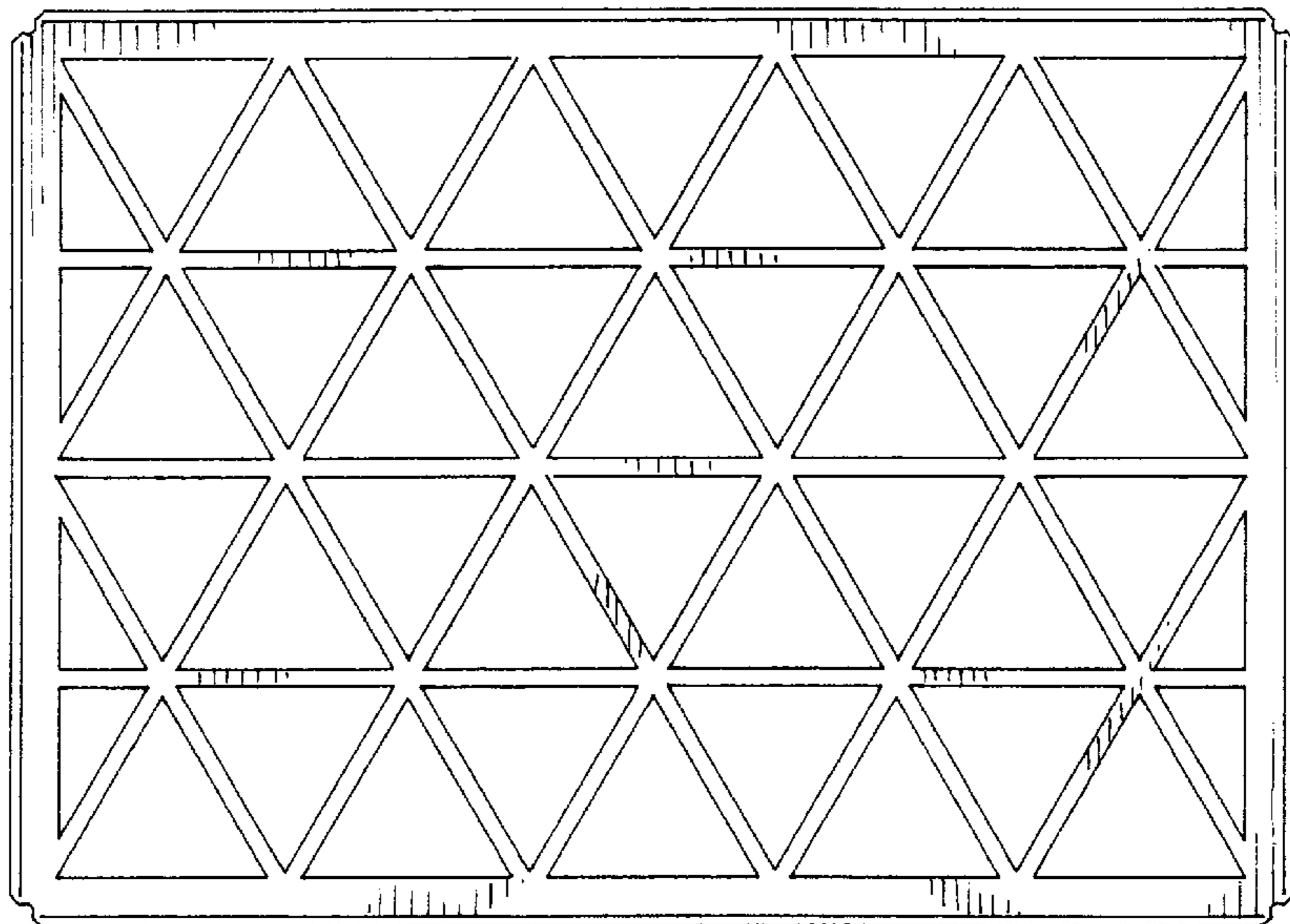


FIG. 10

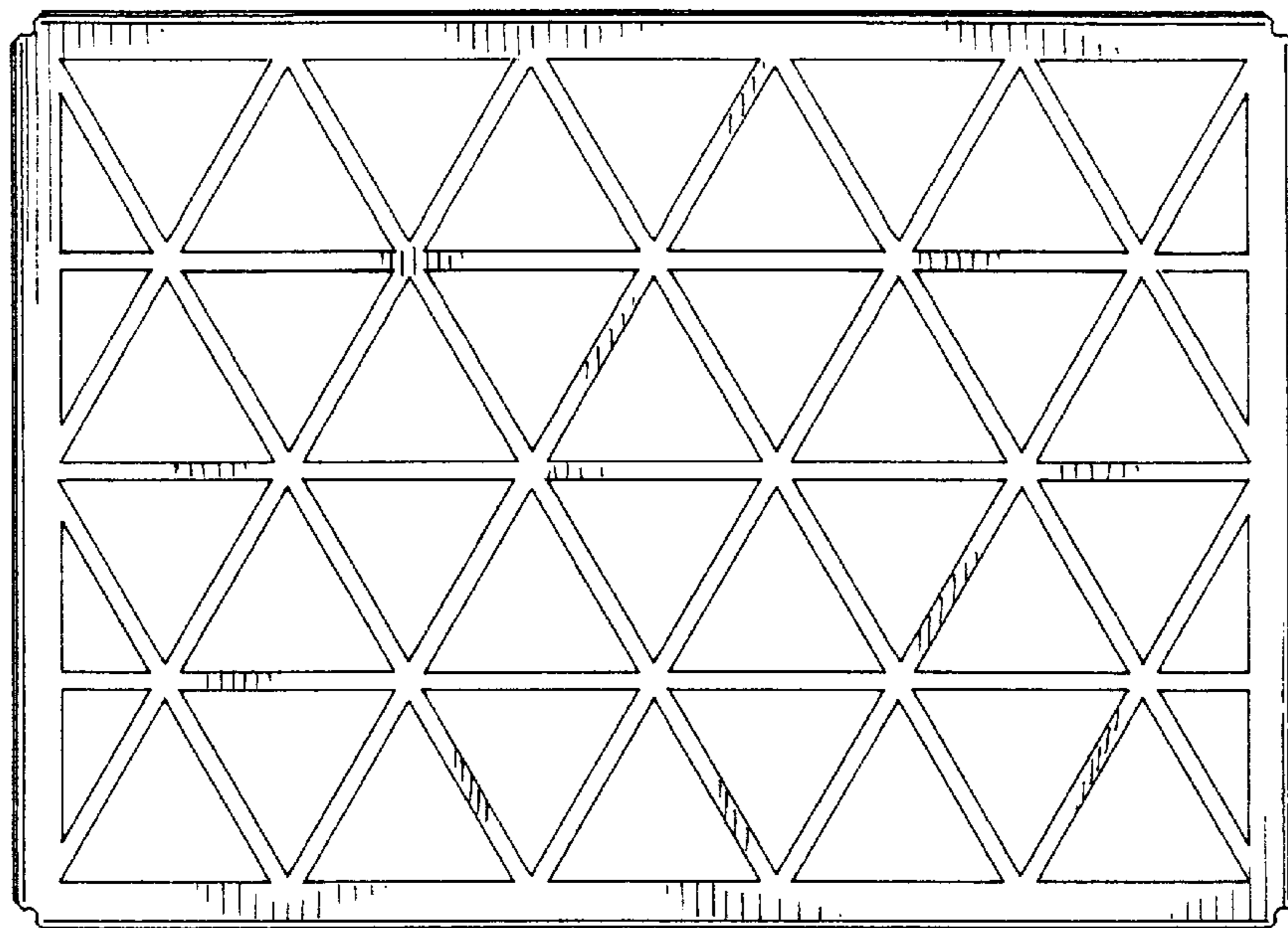


FIG. 11

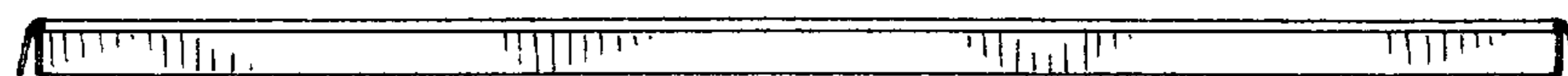


FIG. 12



FIG. 13



FIG. 14

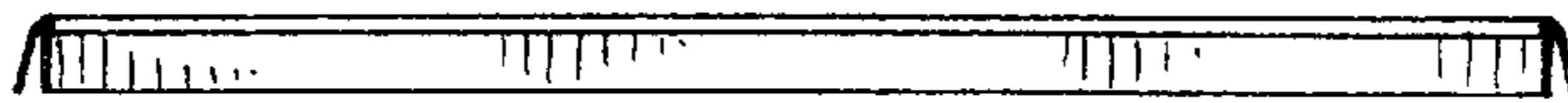


FIG. 15

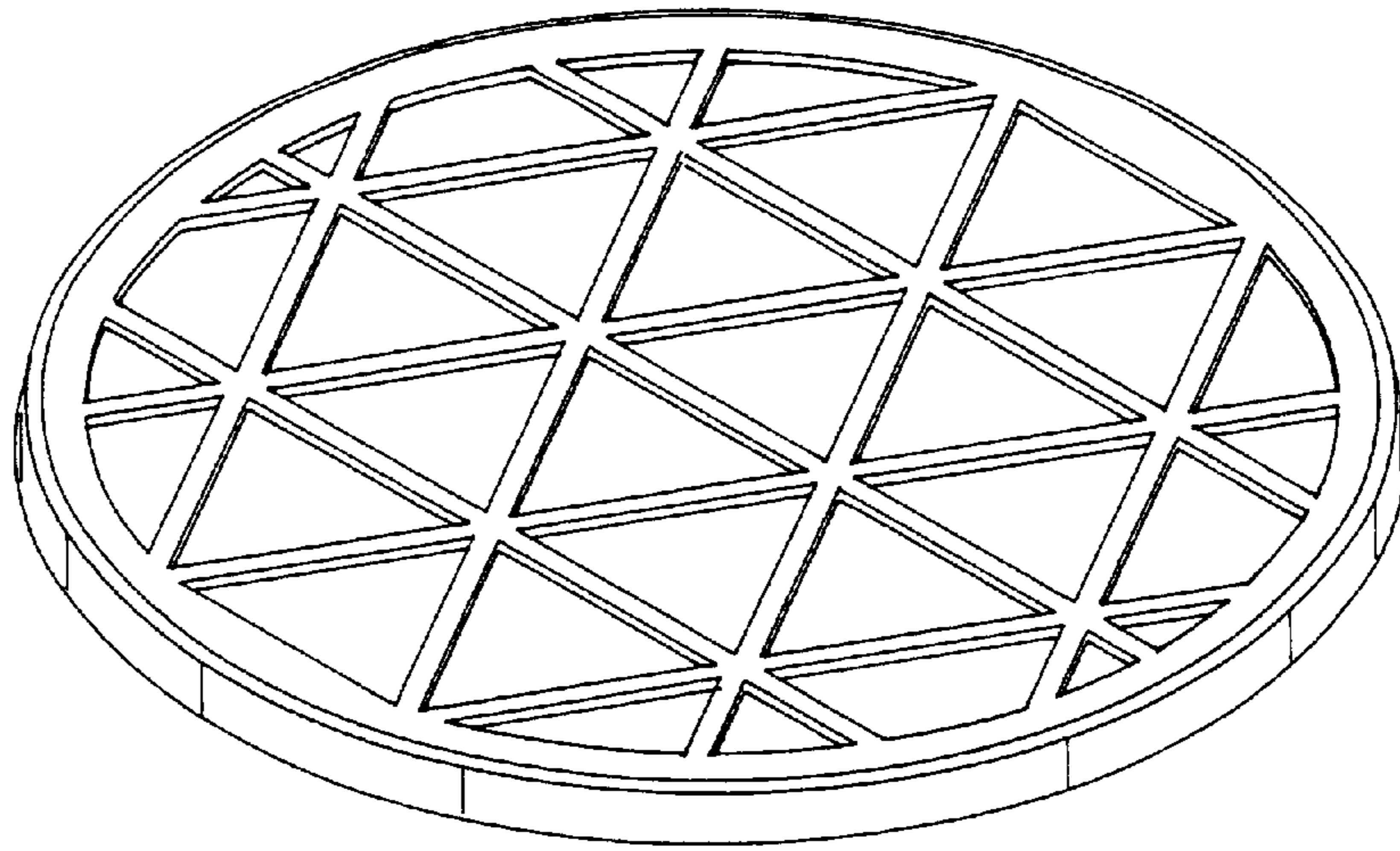


FIG. 16

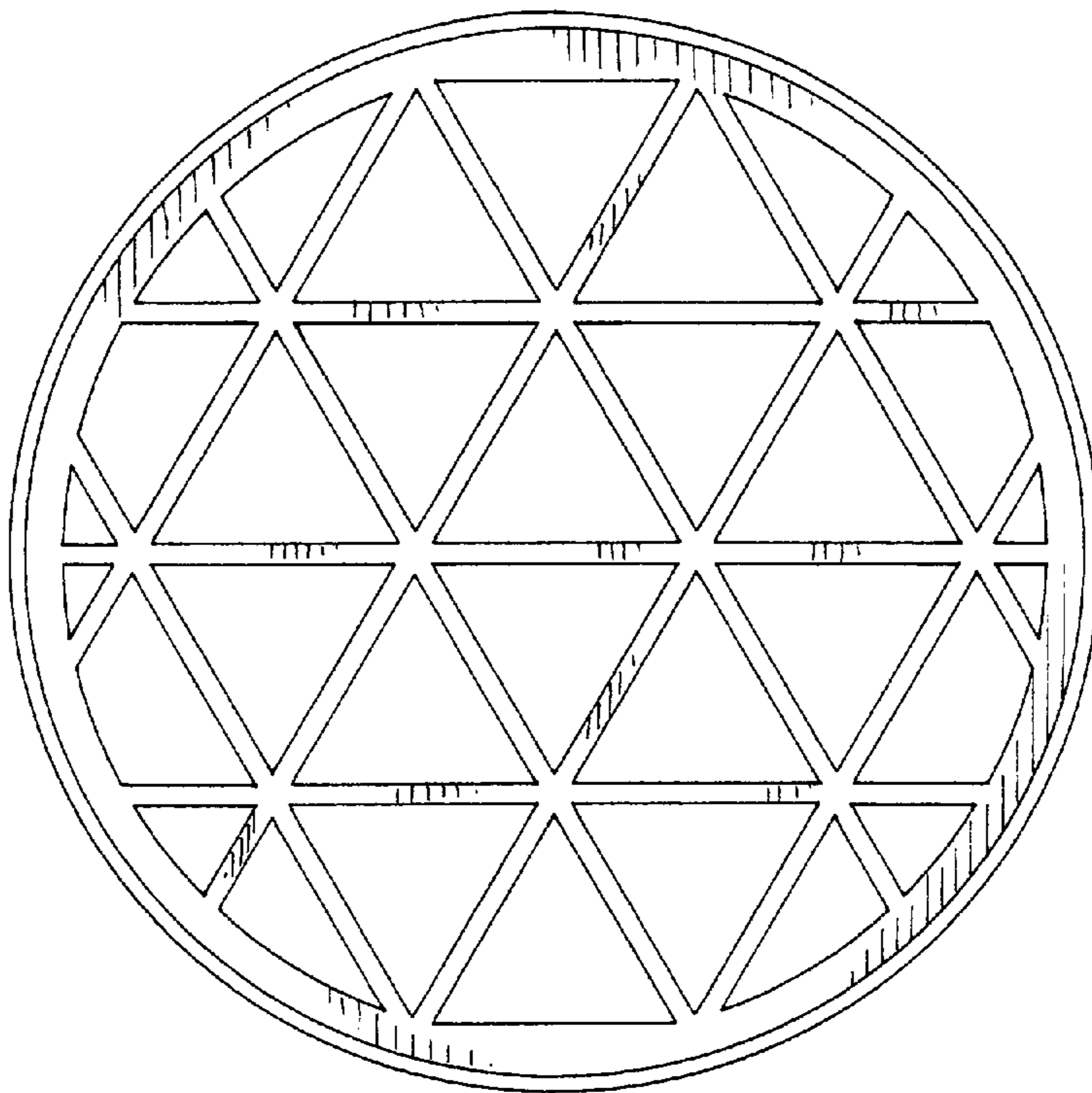


FIG. 17

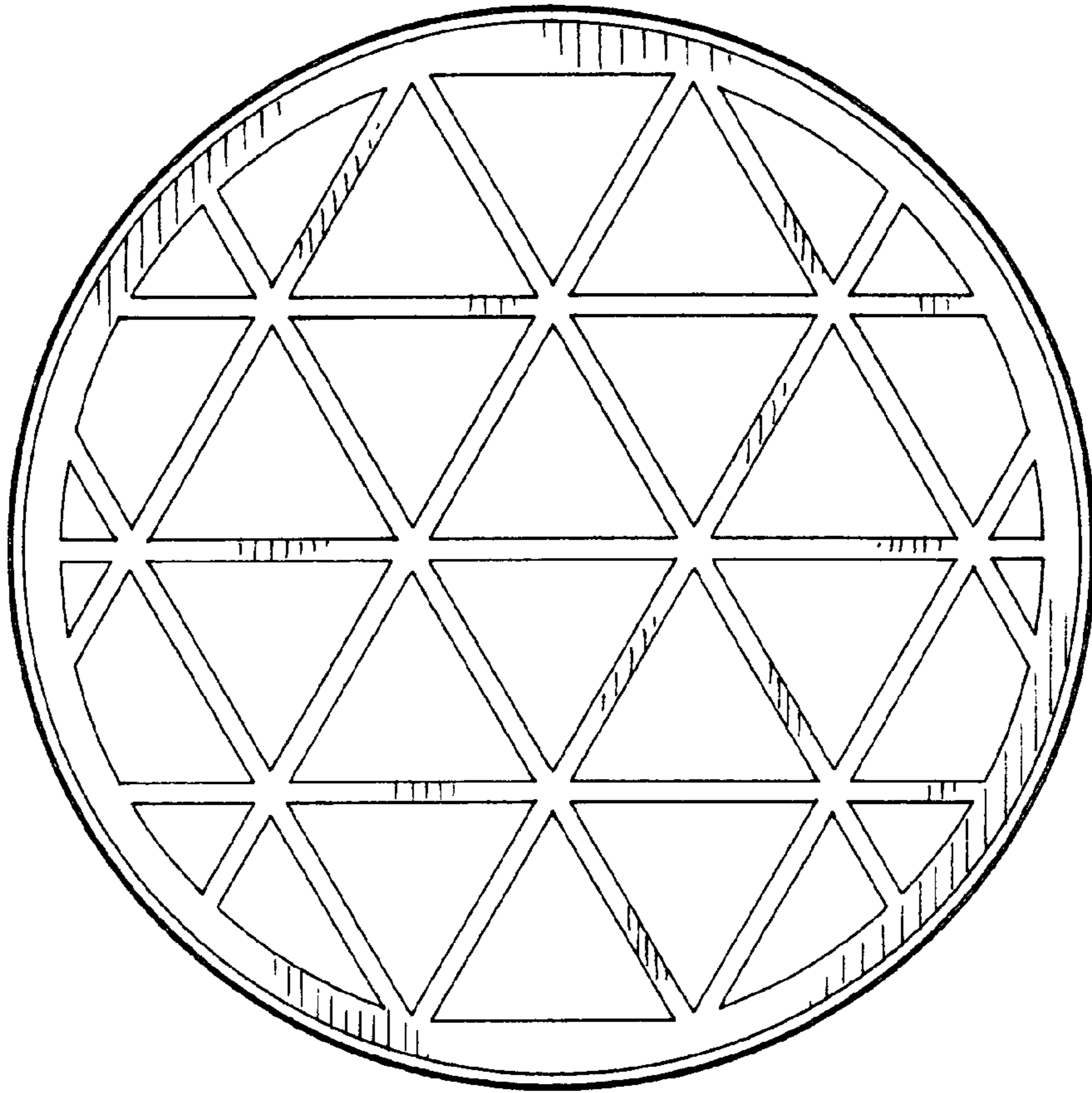


FIG. 18

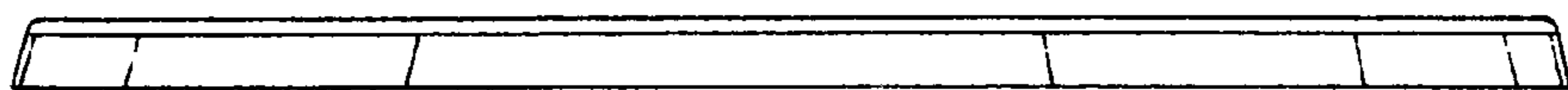


FIG. 19