



US00D416435S

# United States Patent [19] Lin

[11] Patent Number: **Des. 416,435**

[45] Date of Patent: **\*\* Nov. 16, 1999**

[54] **ICE SHAVER**

[76] Inventor: **Yong-Sue Lin**, No. 8, Alley 41, Lane 189, Sec. 1, Anchung Rd., Tainan, Taiwan

[\*\*] Term: **14 Years**

[21] Appl. No.: **29/093,640**

[22] Filed: **Sep. 15, 1998**

[51] **LOC (6) Cl.** ..... **07-02**

[52] **U.S. Cl.** ..... **D7/374**

[58] **Field of Search** ..... D7/372, 373, 374, D7/384, 309-310; 241/100, 249; 99/304, 306, 286, 586; 248/312.1

[56] **References Cited**

**U.S. PATENT DOCUMENTS**

D. 173,619	12/1954	Kantor et al.	.....	D7/374
D. 179,988	4/1957	Talge et al.	.....	D7/374
D. 186,420	10/1959	Mango	.....	D7/374
D. 197,635	3/1964	Dykes	.....	D7/374
D. 247,800	5/1978	Talge, Jr. et al.	.....	D7/374
D. 247,902	5/1978	Fudman	.....	D7/374

D. 252,847	9/1979	Cannon et al.	.....	D7/372
D. 304,897	12/1989	Lin	.....	D7/679
D. 305,602	1/1990	Inomata	.....	D7/374
D. 318,776	8/1991	Lin	.....	D7/374
D. 337,239	7/1993	Lin	.....	D7/374
D. 385,148	10/1997	Ikenaga	.....	D7/374
D. 403,918	1/1999	Lin	.....	D7/374

*Primary Examiner*—Ruth McInroy  
*Attorney, Agent, or Firm*—Kirkpatrick & Lockhart LLP

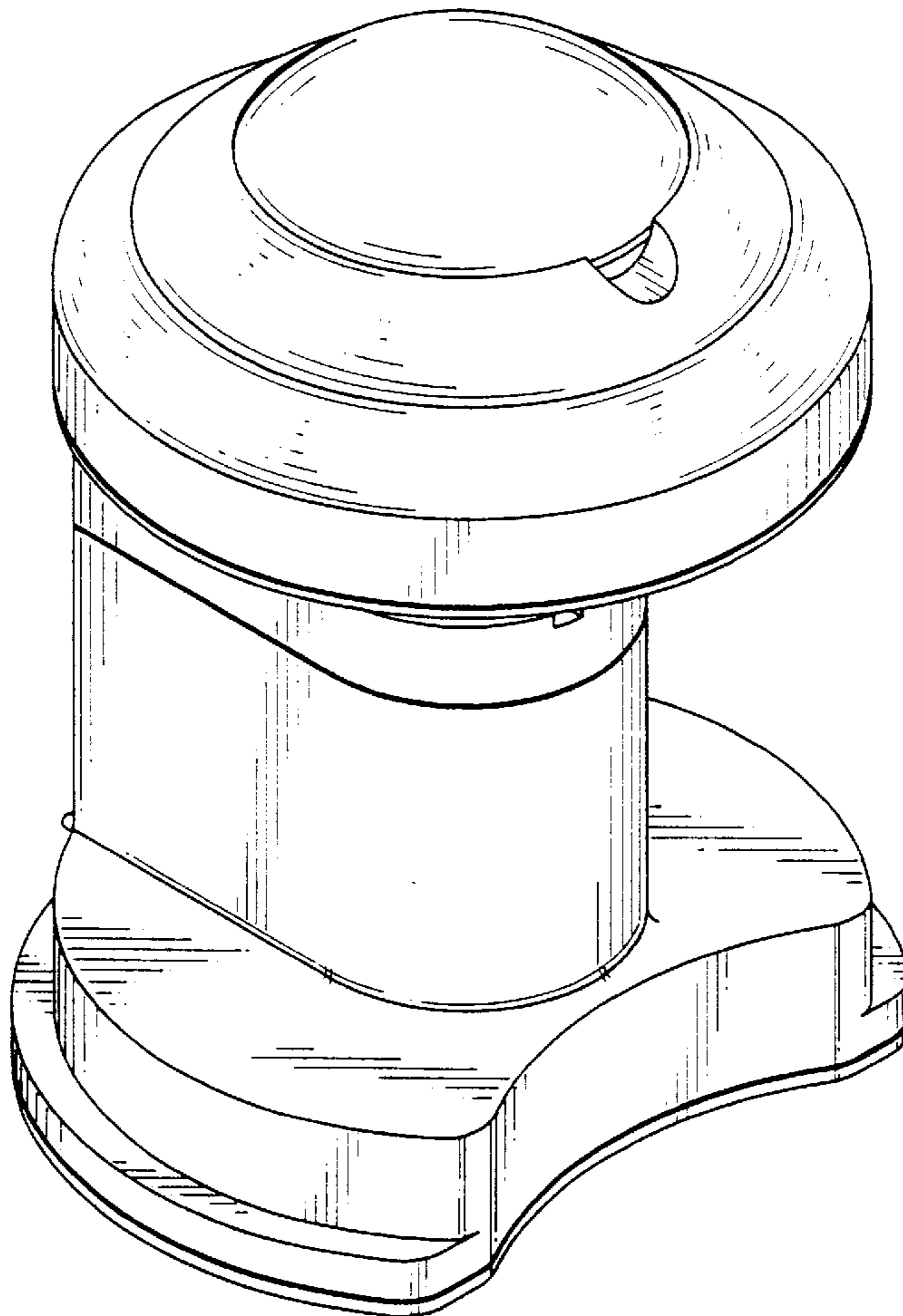
[57] **CLAIM**

The ornamental design for an ice shaver, as shown and described.

**DESCRIPTION**

FIG. 1 is a front-left-top perspective view of an ice shaver, showing my new design;  
FIG. 2 is a front elevational view thereof;  
FIG. 3 is a left side view thereof;  
FIG. 4 is a right side view thereof;  
FIG. 5 is a top plan view thereof;  
FIG. 6 is a bottom plan view thereof; and,  
FIG. 7 is a rear elevational view thereof.

**1 Claim, 3 Drawing Sheets**



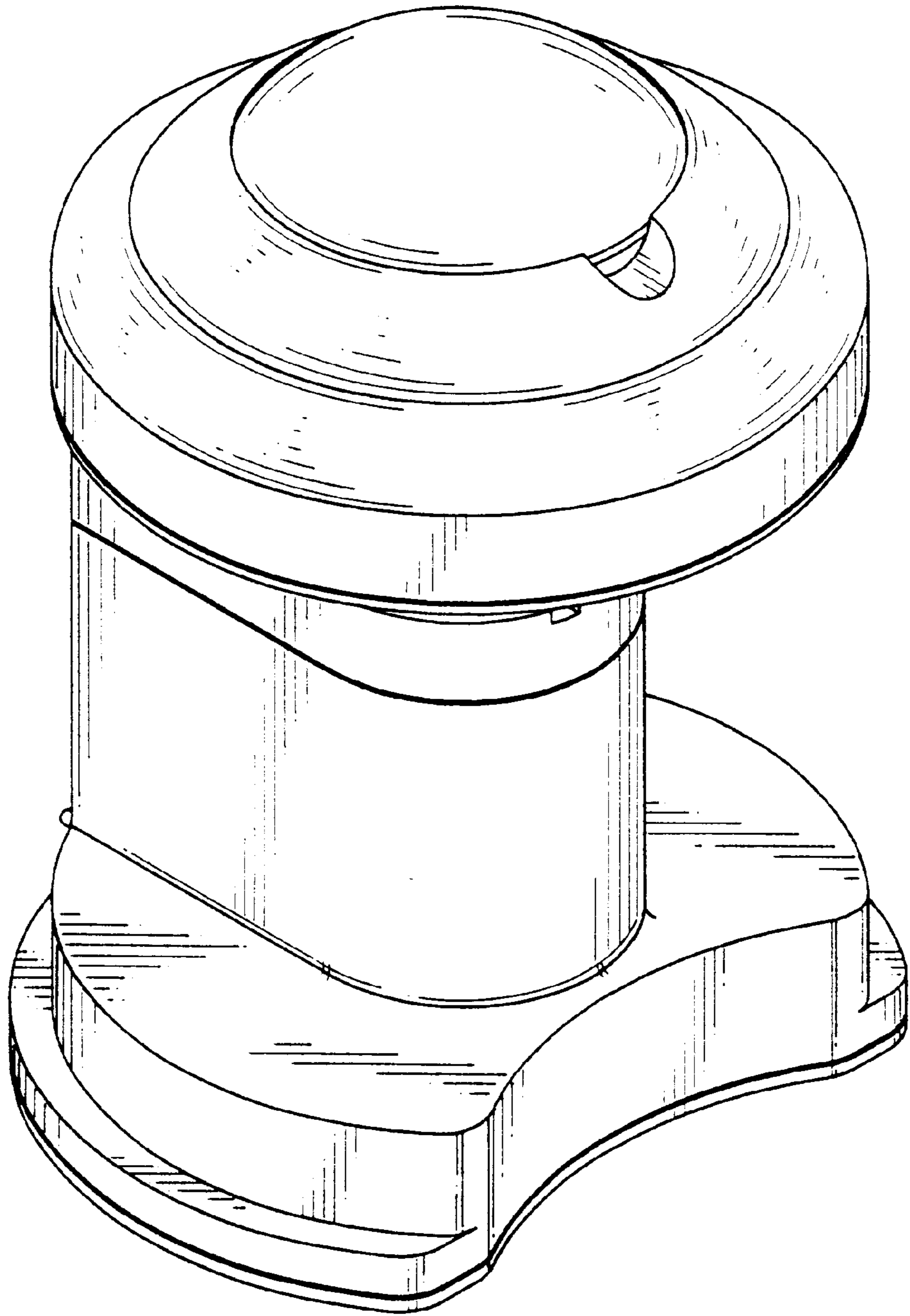


FIG. 1

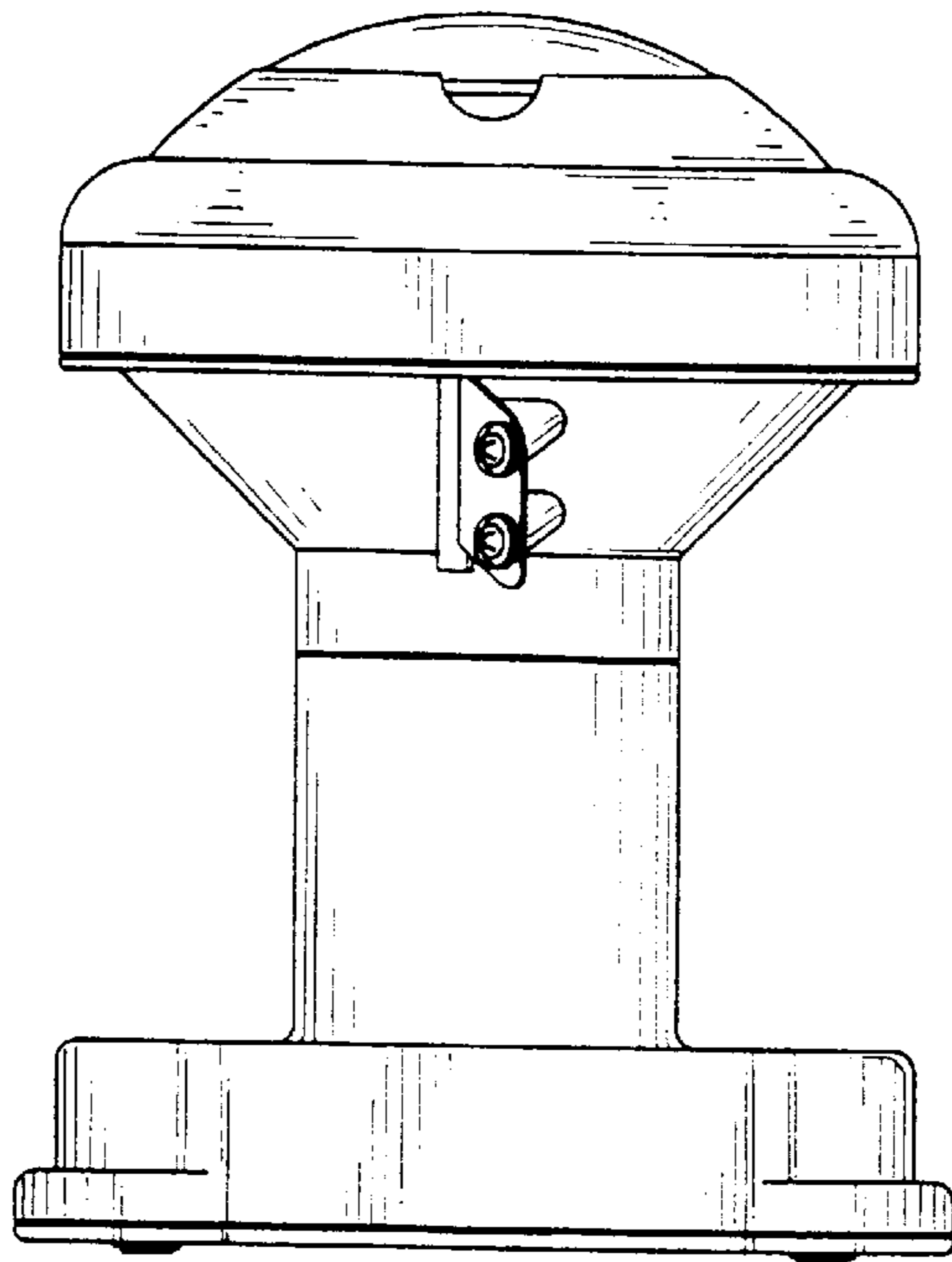


FIG. 2

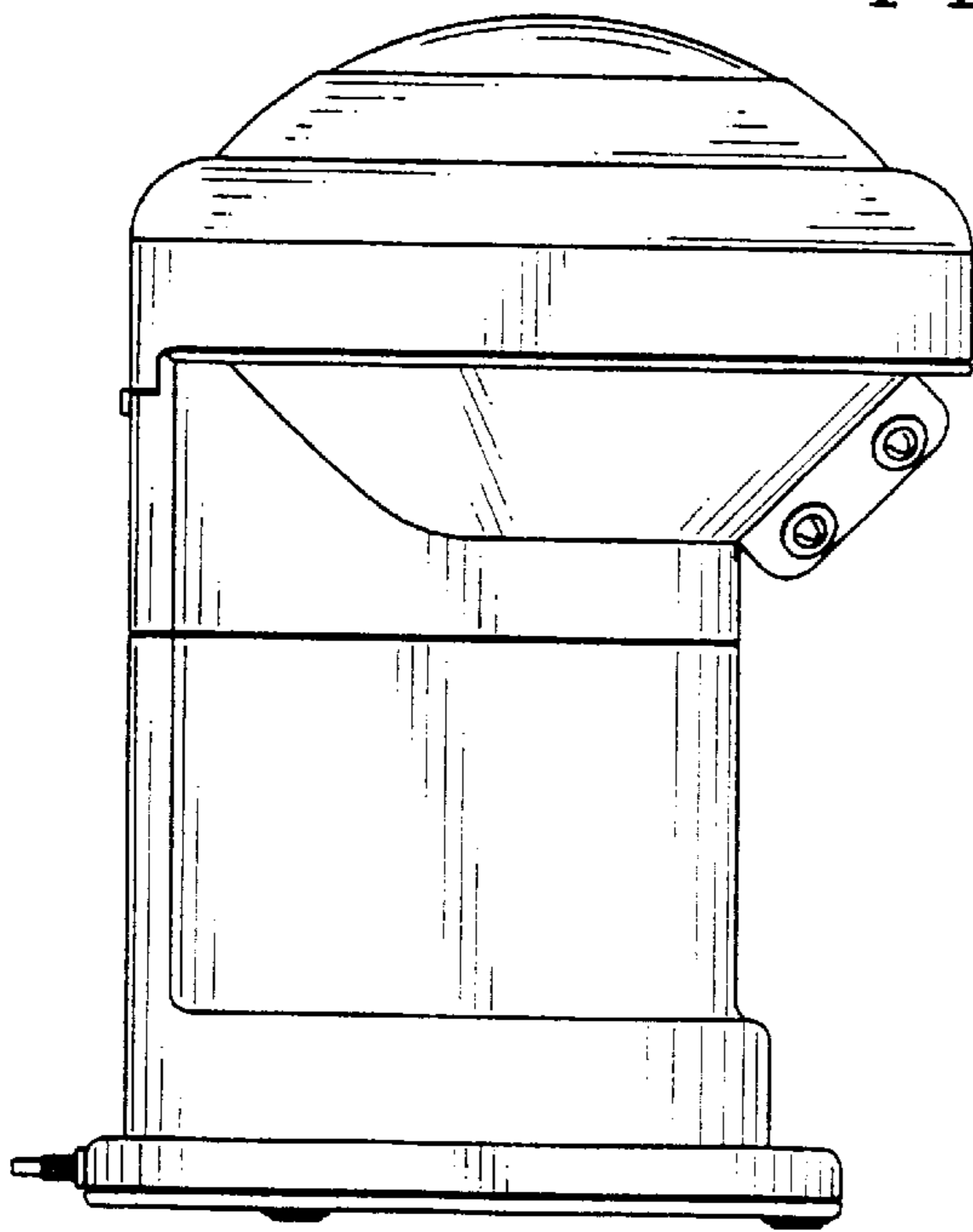


FIG. 3

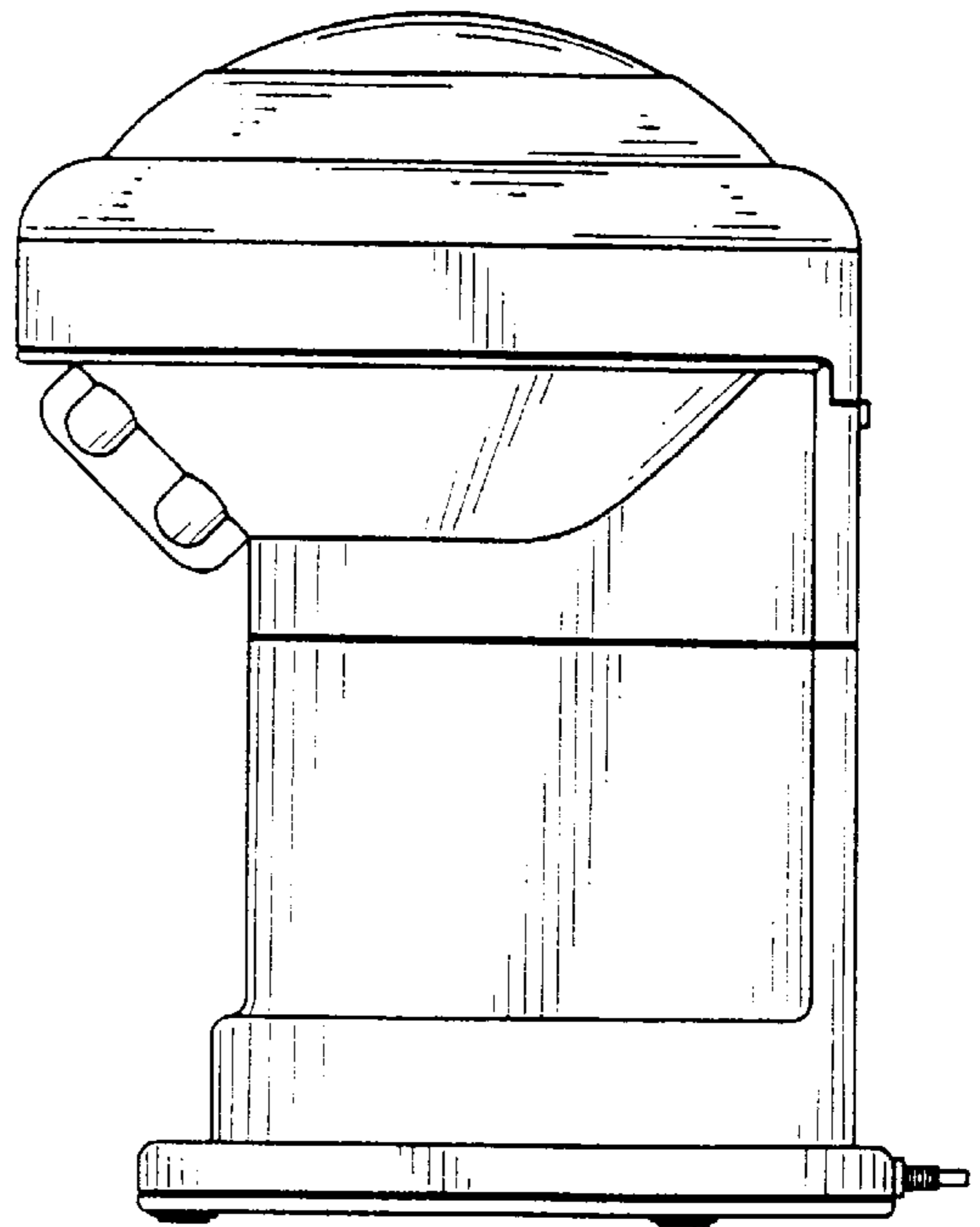


FIG. 4

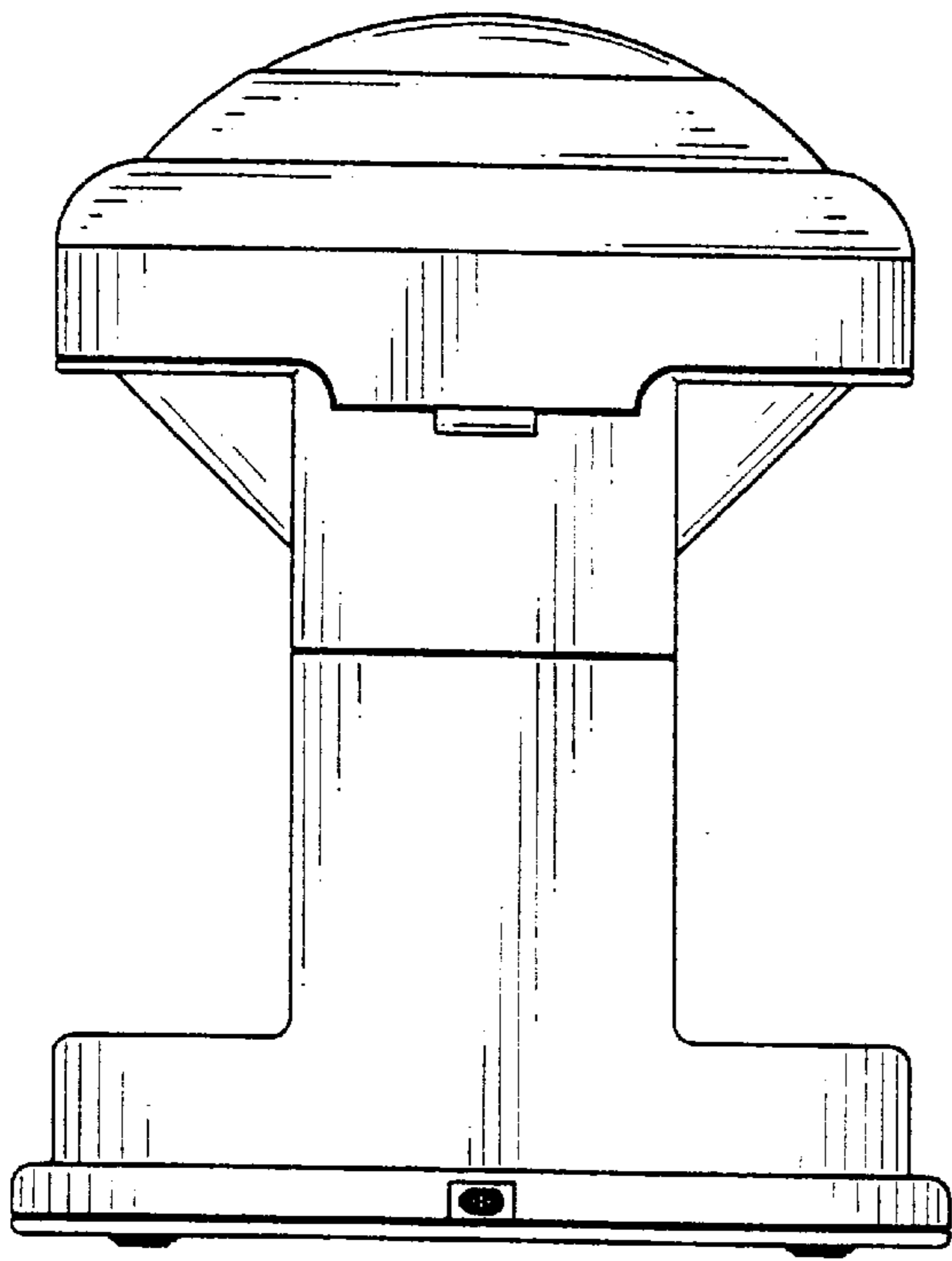


FIG. 7

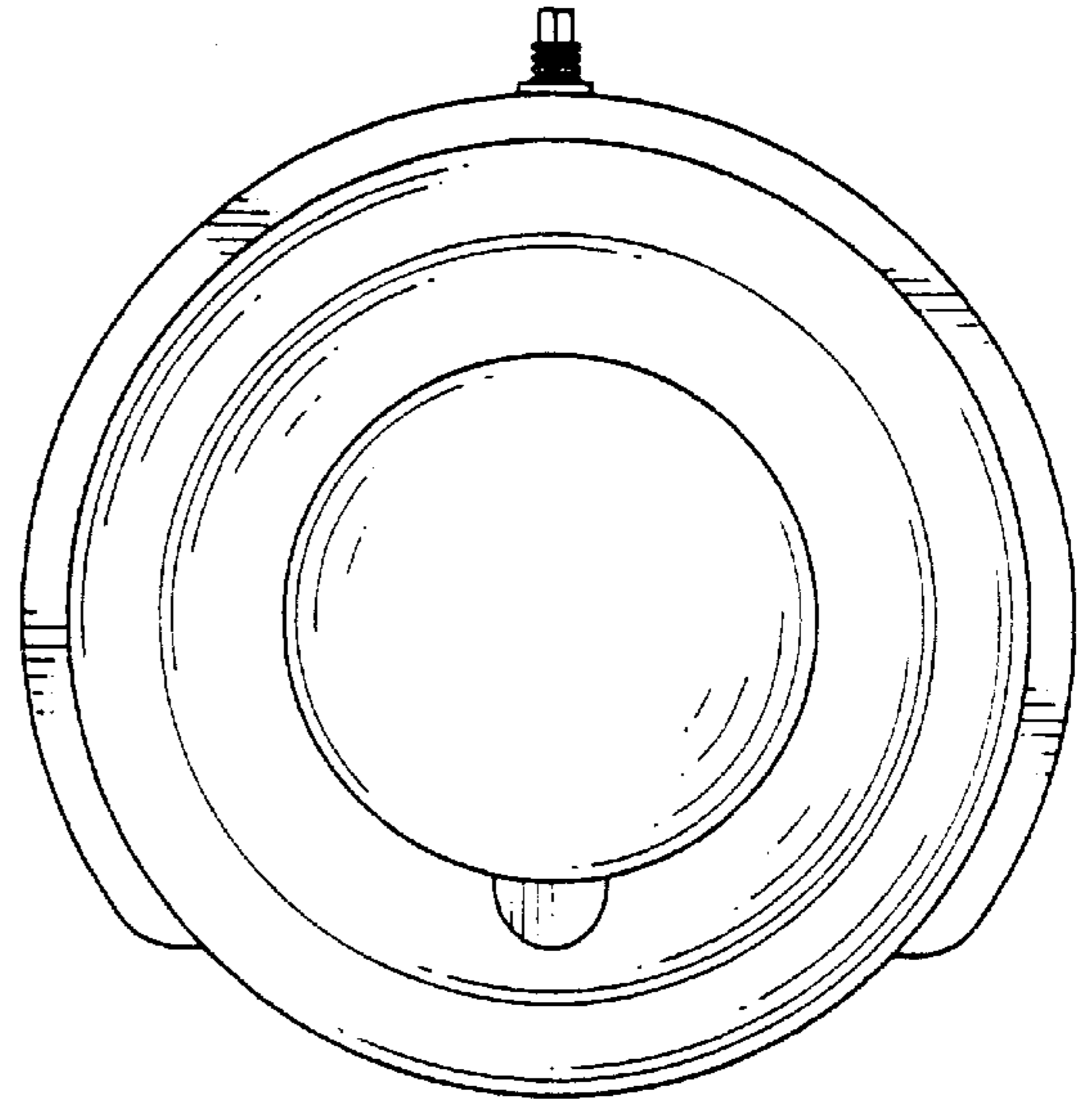


FIG. 5

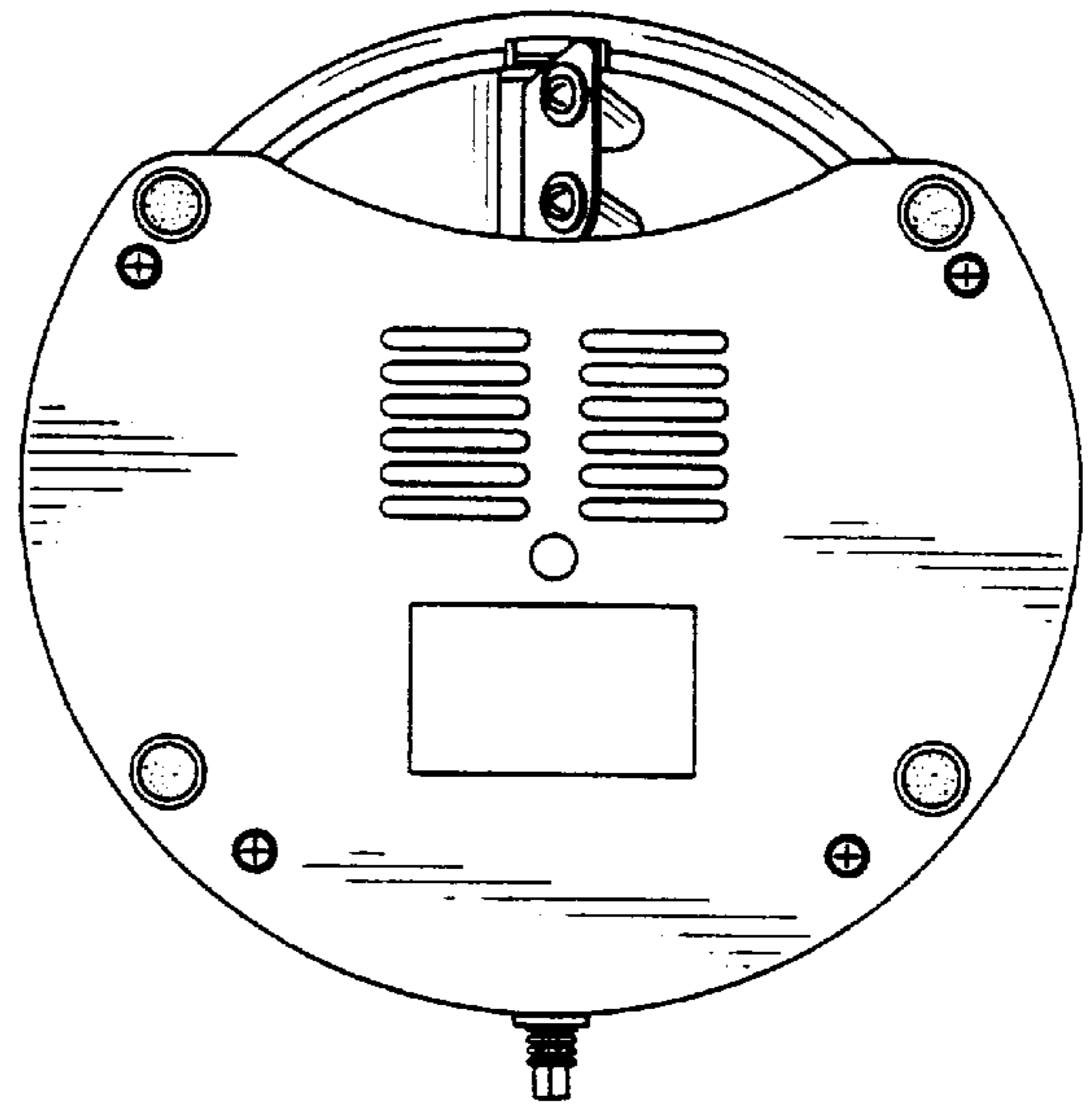


FIG. 6