



US00D416431S

United States Patent [19]

[11] Patent Number: Des. 416,431

Weiss et al.

[45] Date of Patent: ** Nov. 16, 1999

[54] ROCKET TEAKETTLE

[75] Inventors: Peter E. Weiss, New York, N.Y.; Douglas C. Ferrin, West Palm Beach, Fla.; Joel C. Haas, Jupiter, Fla.; Daryl H. Michaelian, Stuart, Fla.

[73] Assignee: M. Kamenstein, Inc., Elmsford, N.Y.

[**] Term: 14 Years

[21] Appl. No.: 29/086,065

[22] Filed: Apr. 3, 1998

[51] LOC (6) Cl. 07-01

[52] U.S. Cl. D7/302; D7/321

[58] Field of Search D7/312, 313, 301, D7/302, 321, 322; 222/472

[56] References Cited

U.S. PATENT DOCUMENTS

D. 282,436	2/1986	Thurlow	D7/322
D. 282,810	3/1986	Urich	D7/322
D. 347,139	5/1994	Ancona et al.	D7/302
D. 396,988	8/1998	Lien	D7/322

Primary Examiner—M. N. Pandozzi

Attorney, Agent, or Firm—Robert A. Koons, Jr.; James W. Bolcsak; Pepper Hamilton LLP

[57] CLAIM

The ornamental design for a rocket teakettle, as shown and described.

DESCRIPTION

FIG. 1 is a perspective view of a rocket teakettle showing our new design, with the broken lines showing matter for illustrative purposes only and forming no part of the claimed design;

FIG. 2 is a right side elevational view of the rocket teakettle, with the broken lines showing matter for illustrative purposes only and forming no part of the claimed design;

FIG. 3 is a left side elevational view of the rocket teakettle, with the broken lines showing matter for illustrative purposes only and forming no part of the claimed design;

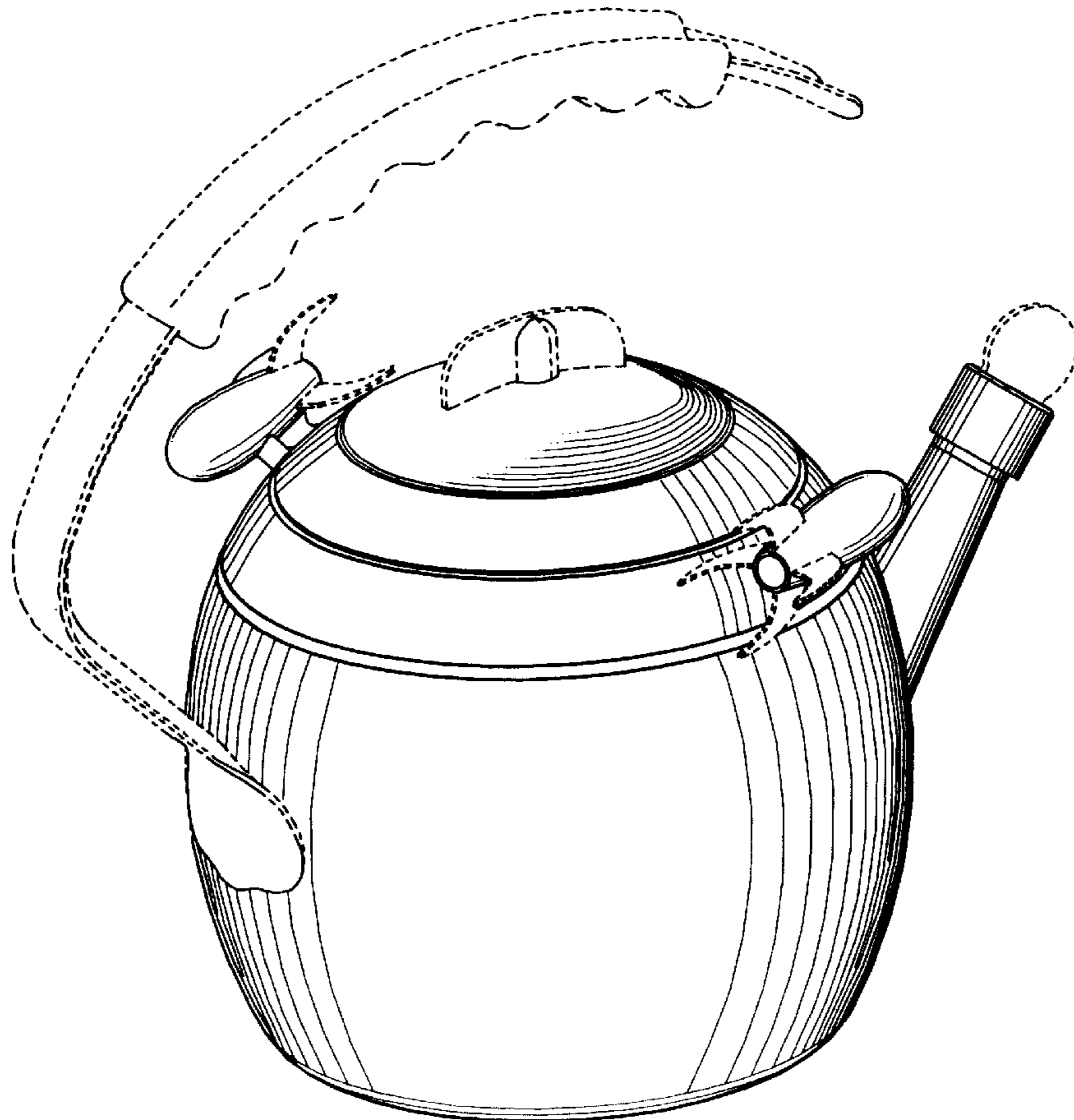
FIG. 4 is a rear elevational view of the rocket teakettle, with the broken lines showing matter for illustrative purposes only and forming no part of the claimed design;

FIG. 5 is a front elevational view of the rocket teakettle, with the broken lines showing matter for illustrative purposes only and forming no part of the claimed design;

FIG. 6 is a top plan view of the rocket teakettle, with the broken lines showing matter for illustrative purposes only and forming no part of the claimed design; and,

FIG. 7 is a bottom plan view of the rocket teakettle, with the broken lines showing matter for illustrative purposes only and forming no part of the claimed design.

1 Claim, 7 Drawing Sheets



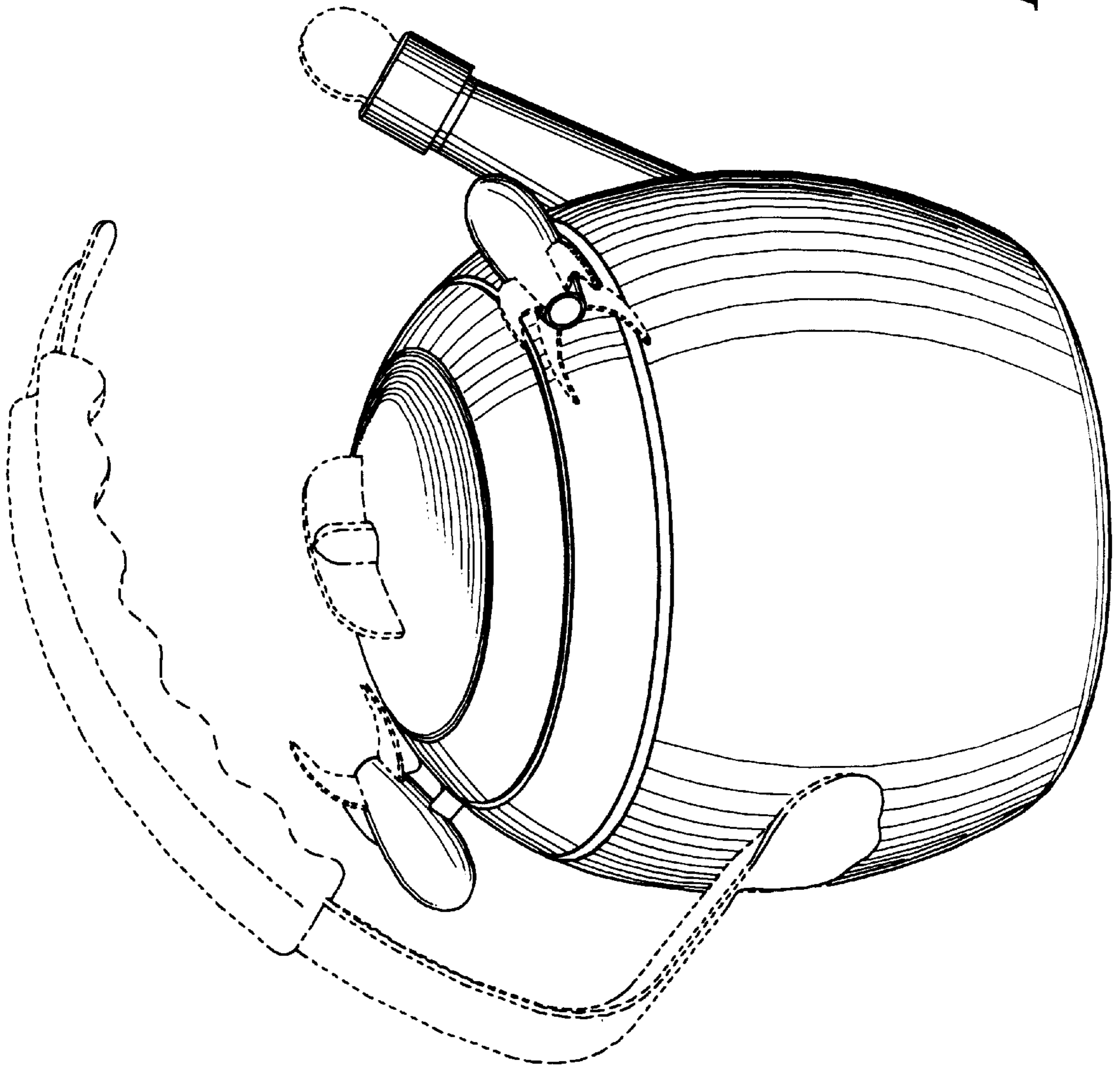


Fig. 1

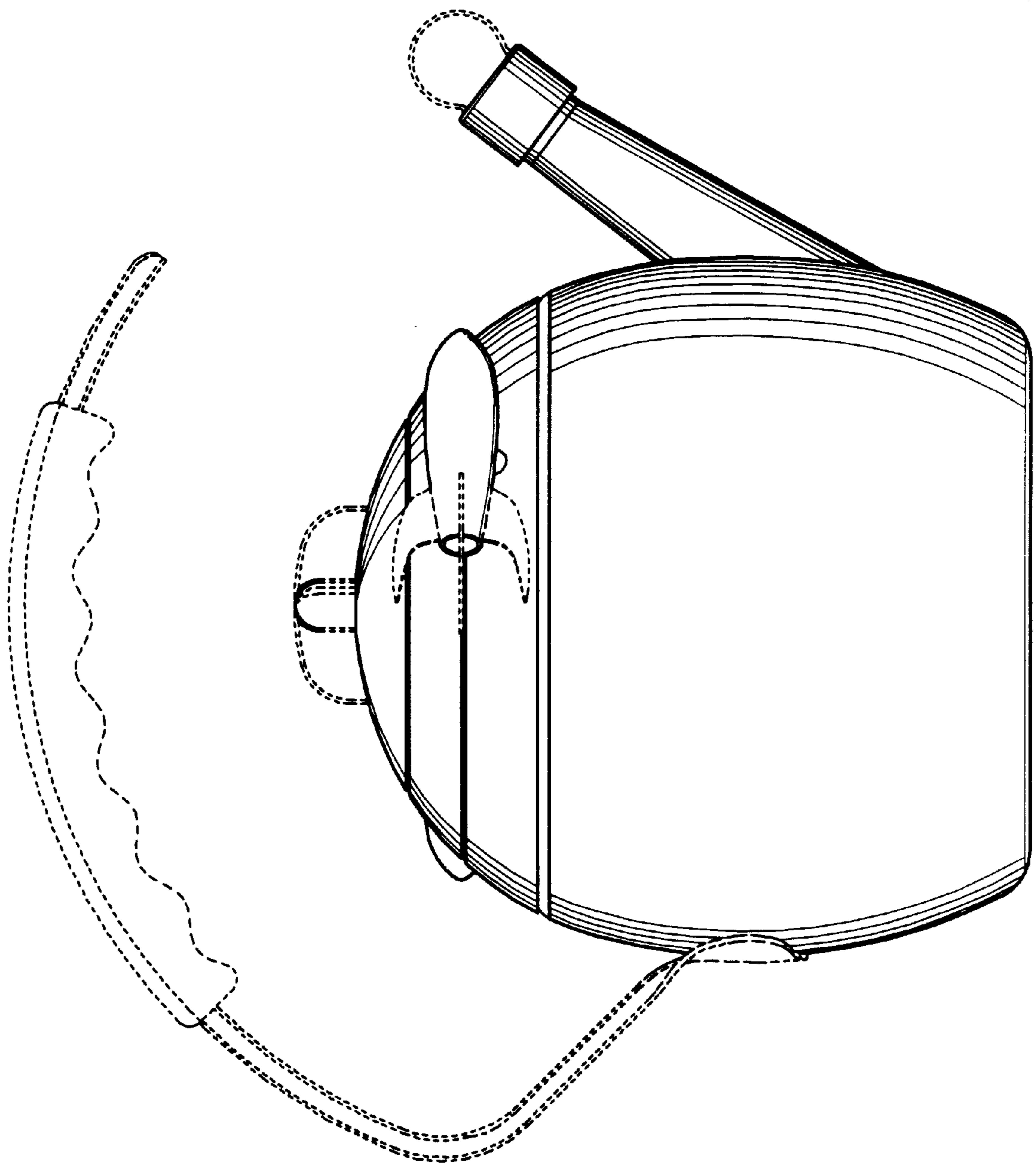


Fig. 2

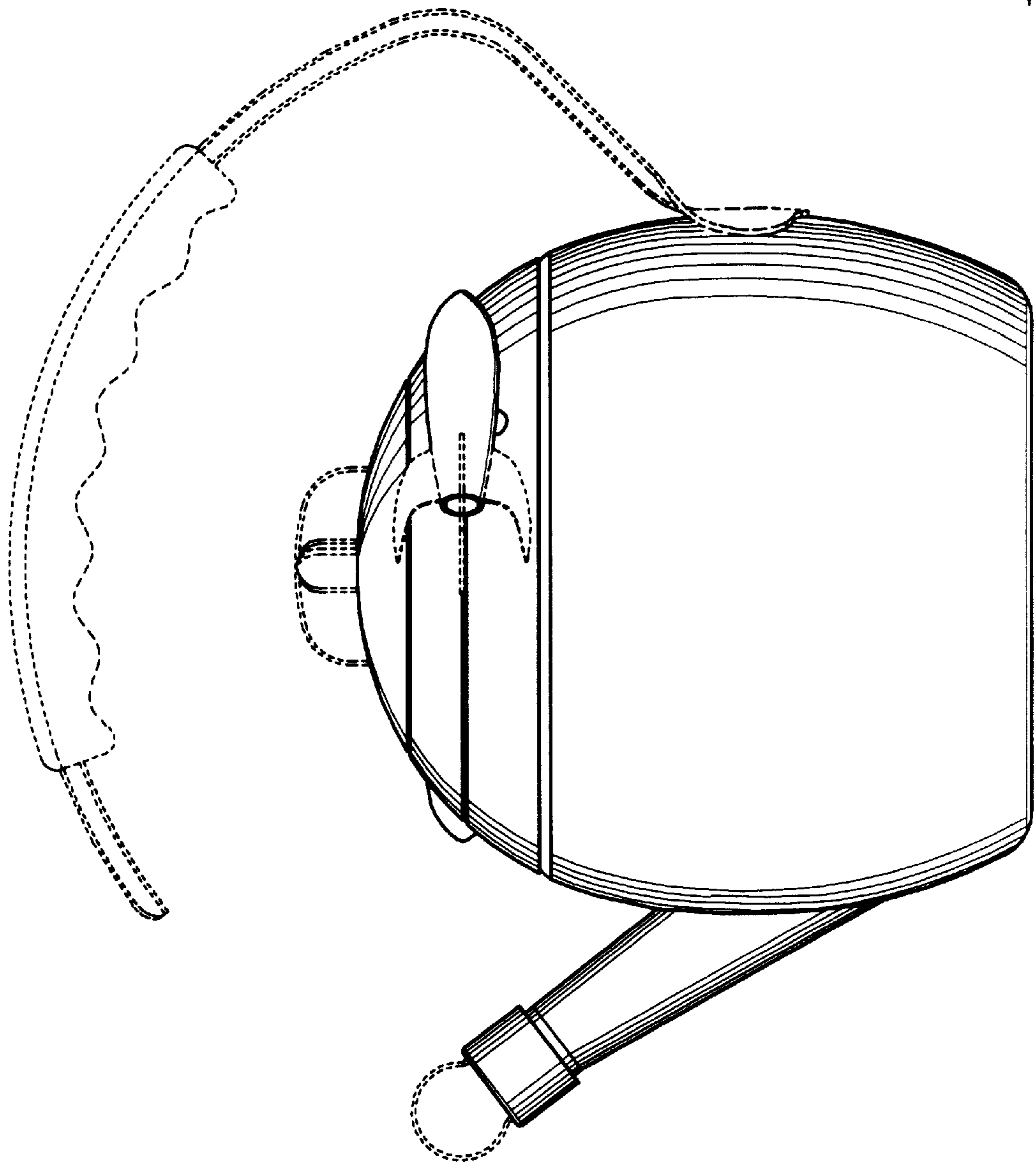


Fig. 3

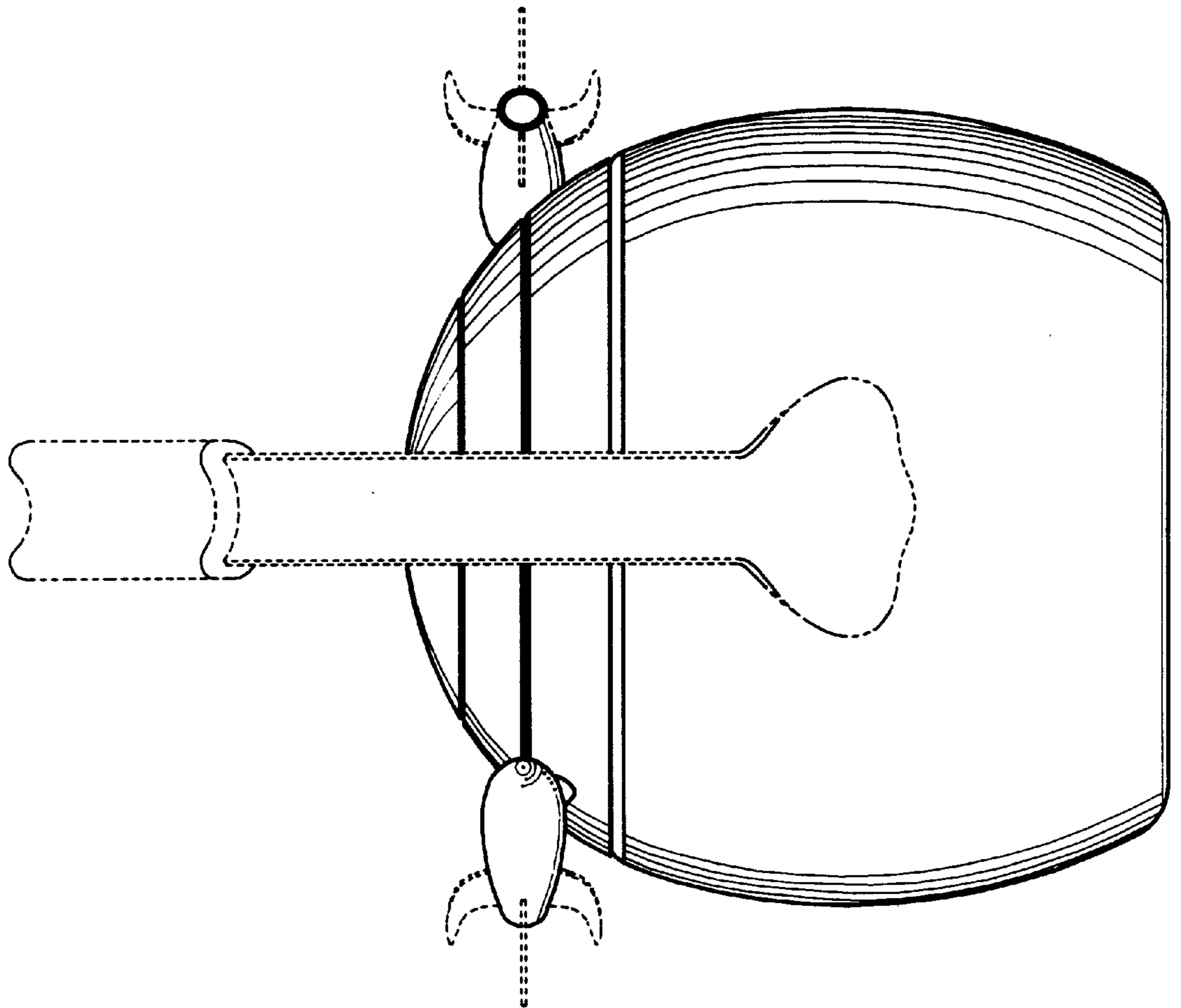


Fig. 4

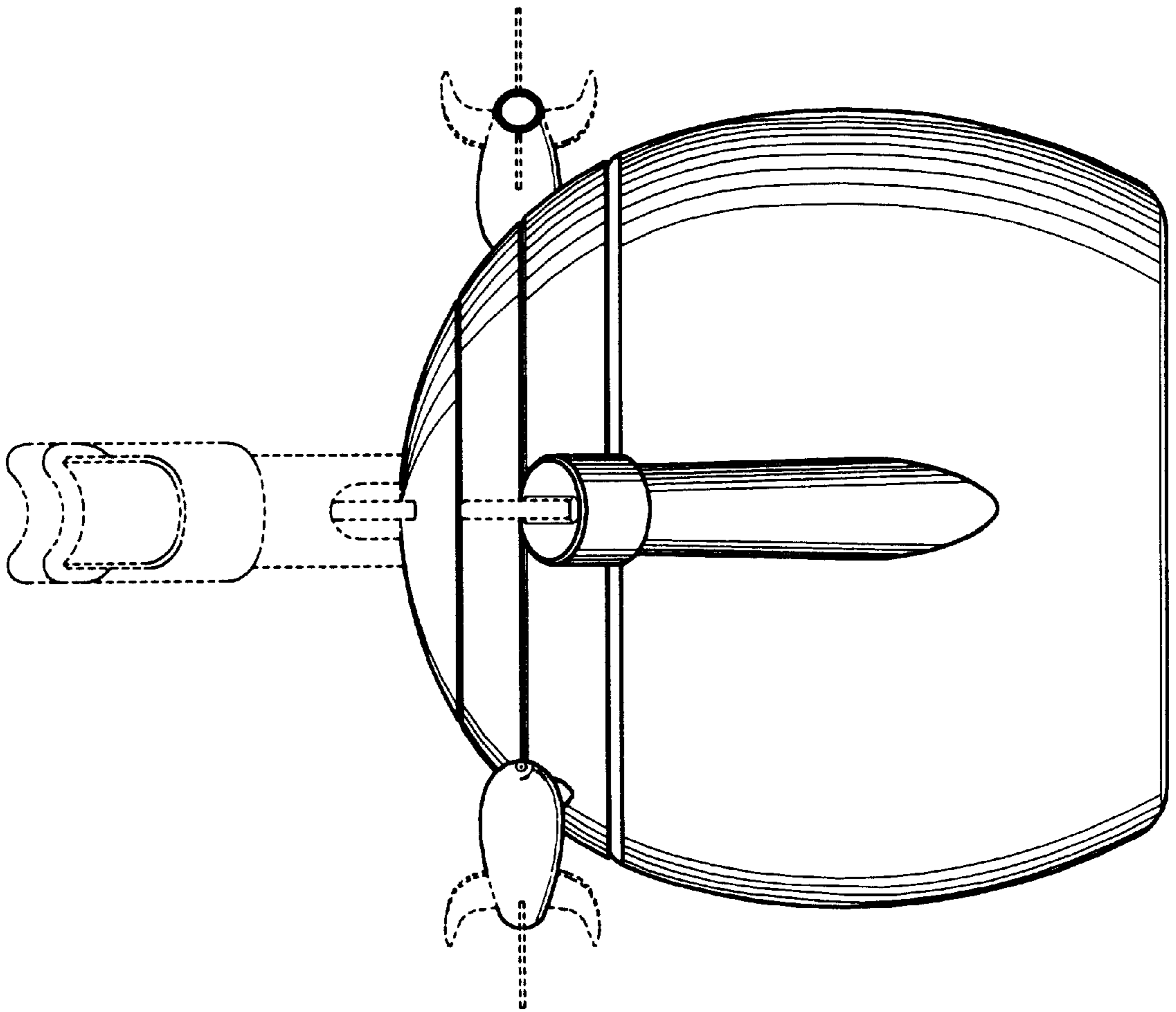


Fig. 5

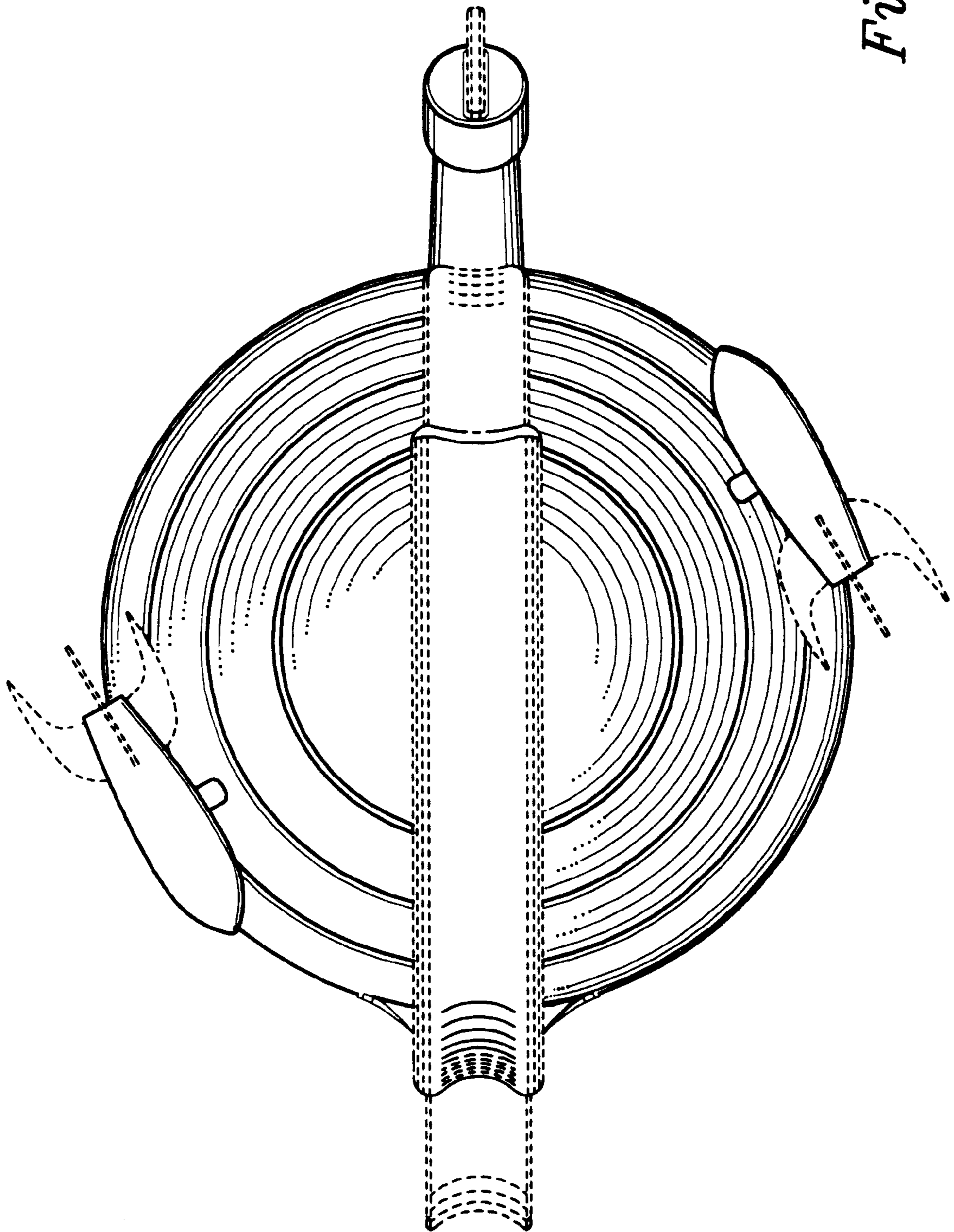


Fig. 6

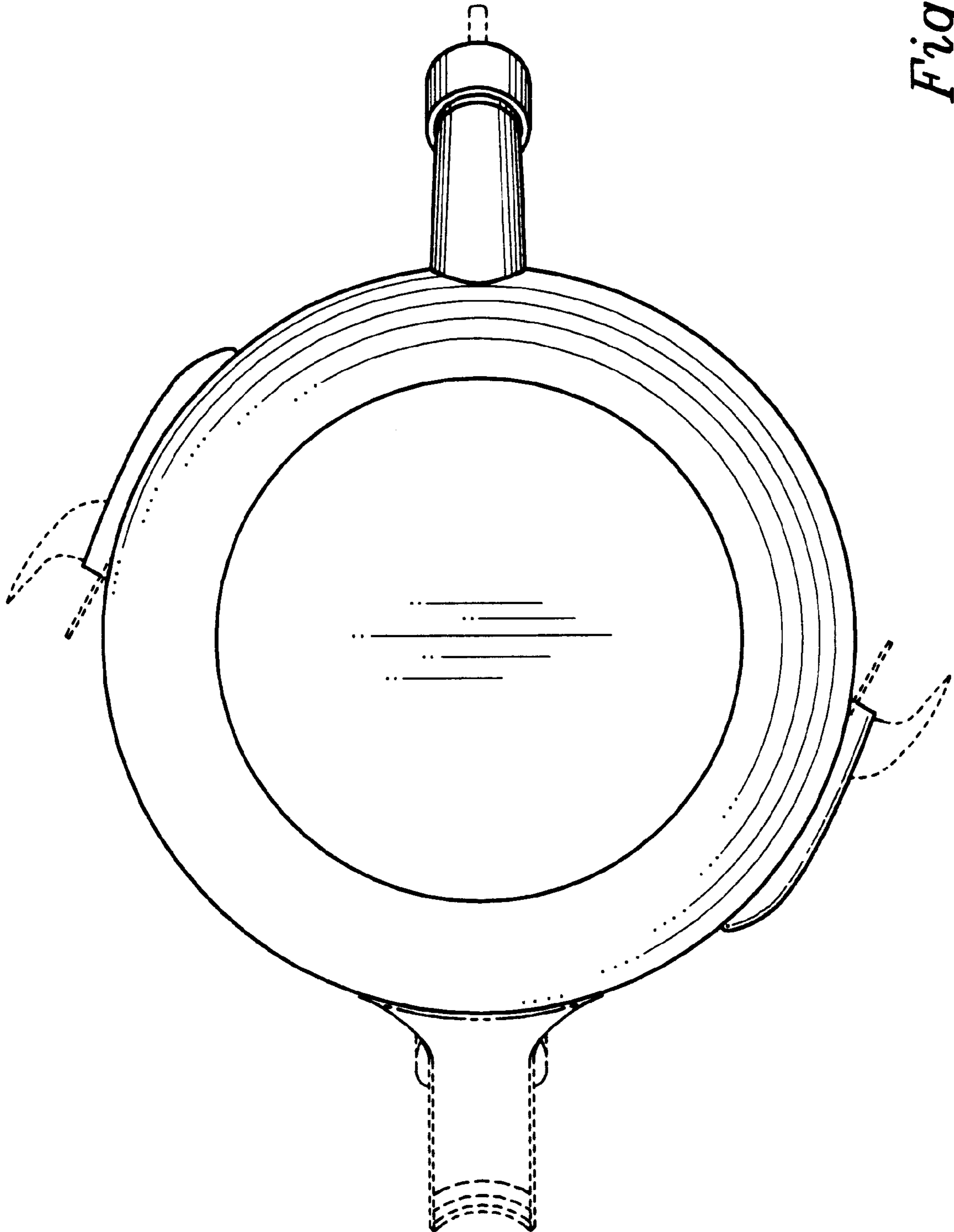


Fig. 7