



US00D416424S

**United States Patent** [19]  
**Hecht et al.**

[11] **Patent Number: Des. 416,424**

[45] **Date of Patent: \*\* Nov. 16, 1999**

[54] **SHELF LINK**

D. 299,687 2/1989 Handler et al. .... D6/574  
D. 392,144 3/1998 Vogler ..... D6/574

[76] Inventors: **Thomas R. Hecht**, 37 Helmock Acres,  
Manheim, Pa. 17545; **Howard F.  
Livingston**, 1333 Beaconfield La.;  
**Howard F. Livingston, Jr.**, 355 W.  
Chestnut St. Apartment #4, both of  
Lancaster, Pa. 17601

*Primary Examiner*—Holly Baynham  
*Attorney, Agent, or Firm*—Watson Cole Grindle Watson,  
P.L.L.C.

[\*\*] Term: **14 Years**

[57] **CLAIM**

The ornamental design for a shelf link, as shown and described.

[21] Appl. No.: **29/091,633**

**DESCRIPTION**

[22] Filed: **Aug. 3, 1998**

[51] **LOC (6) Cl.** ..... **08-05**

[52] **U.S. Cl.** ..... **D6/574**

[58] **Field of Search** ..... D8/380, 381, 382;  
248/235, 237, 243, 245, 247, 249; D6/553,  
567, 574

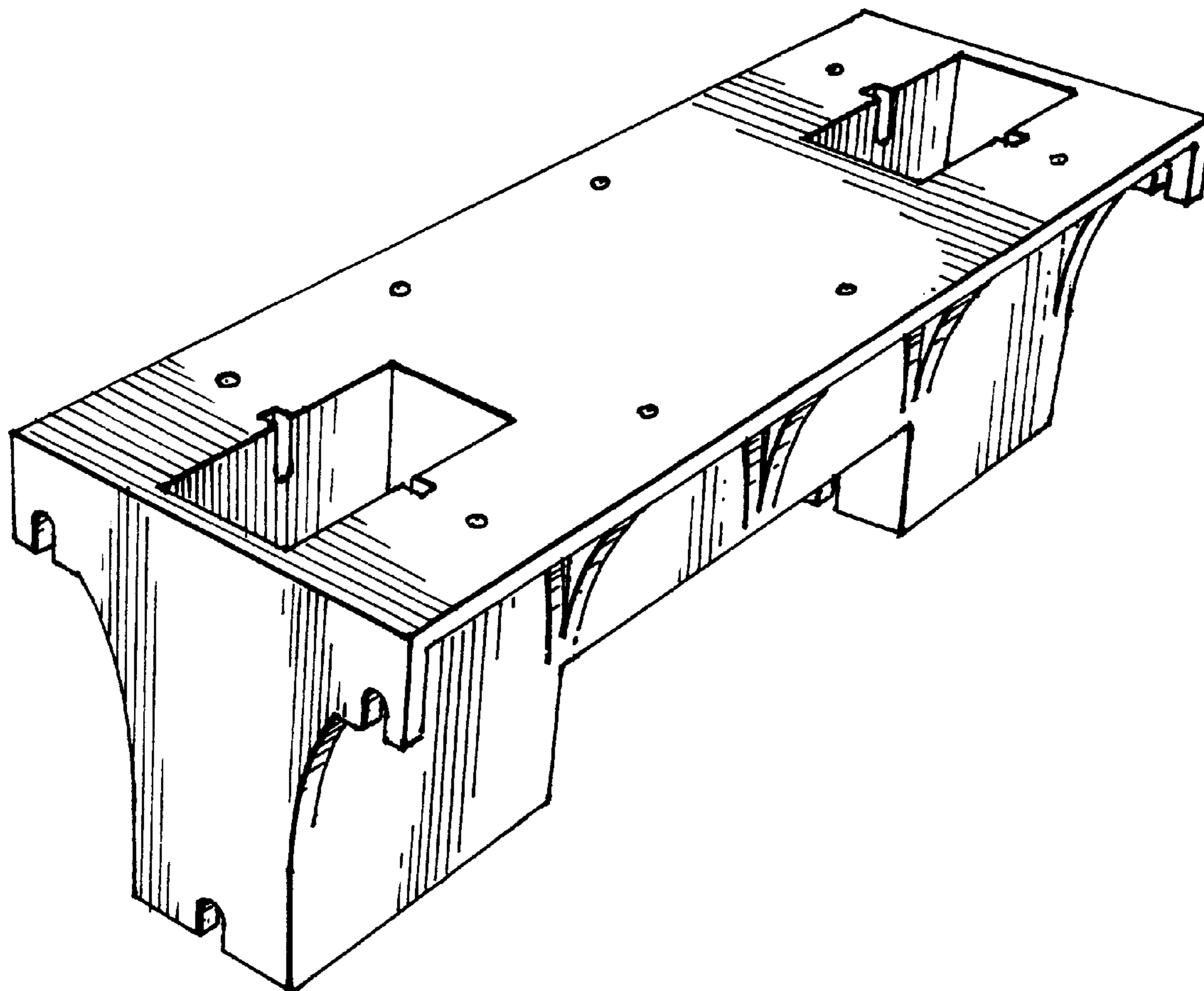
FIG. 1 is a top perspective view of a device showing my new design having two openings for inserting shelving legs;  
FIG. 2 is a front view thereof, the rear view being identical;  
FIG. 3 is an end view thereof, the opposite view being identical;  
FIG. 4 is a top view thereof; and,  
FIG. 5 is a bottom view thereof.

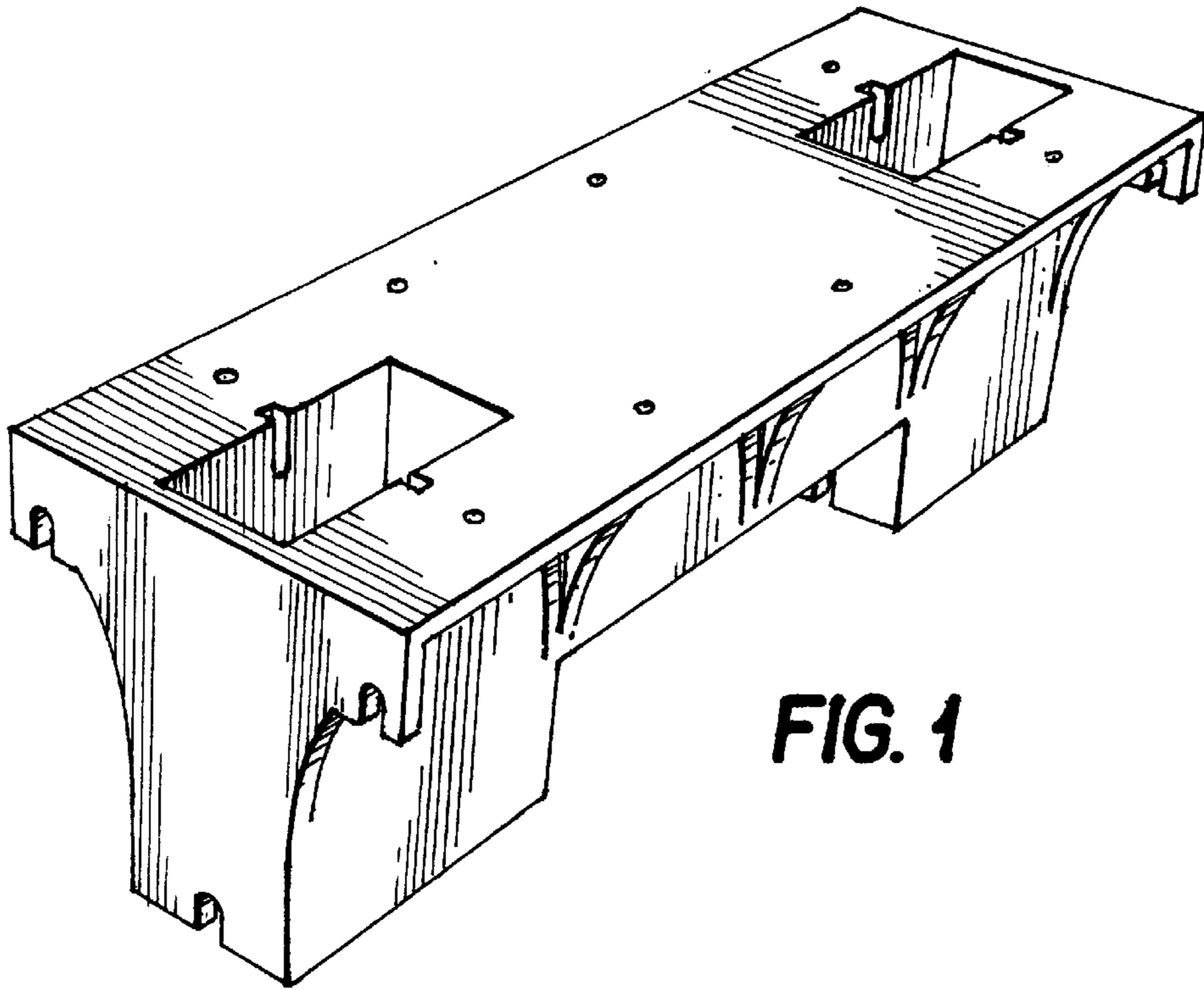
[56] **References Cited**

**U.S. PATENT DOCUMENTS**

D. 222,078 9/1971 Bobrowski ..... D8/381

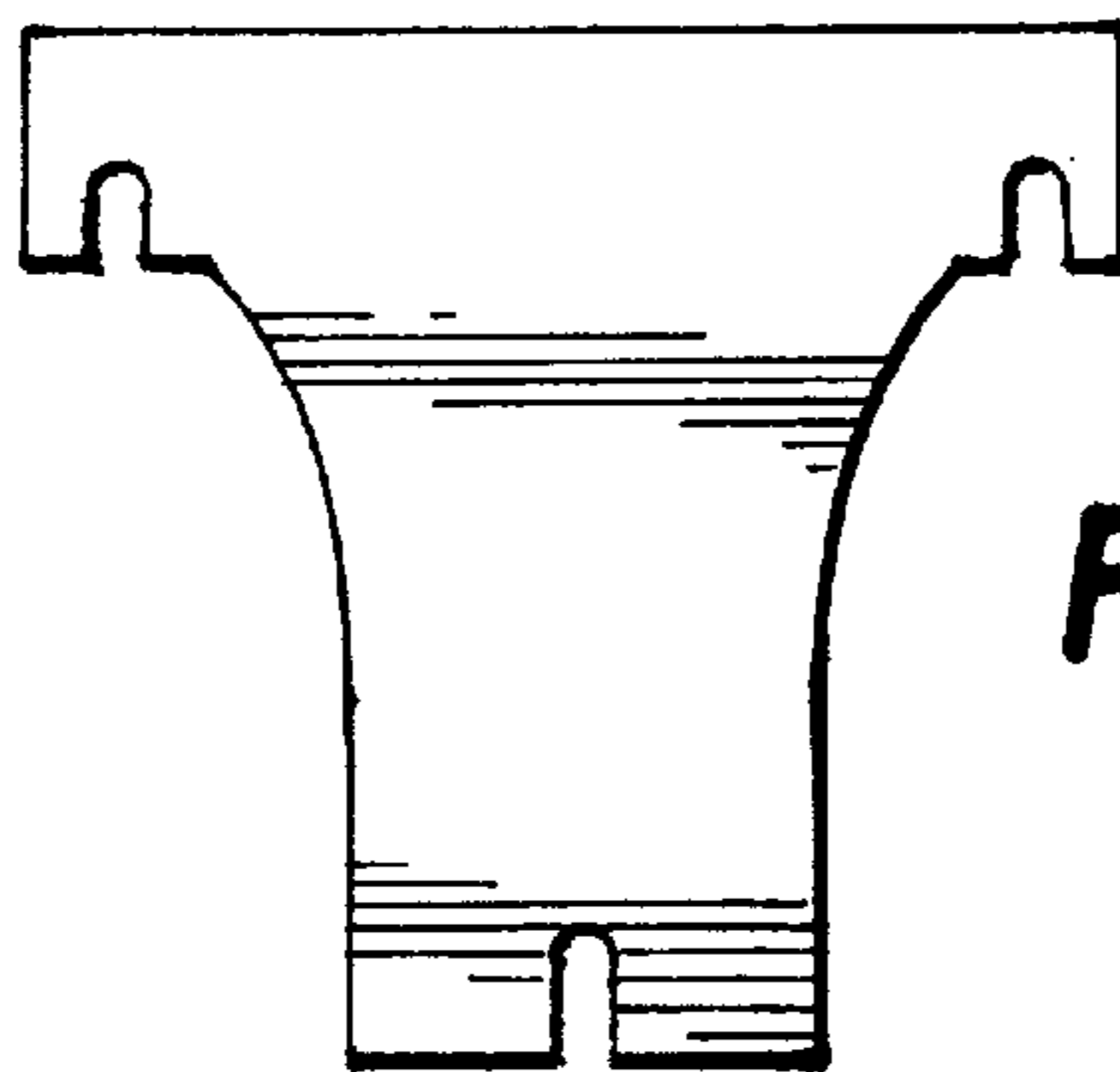
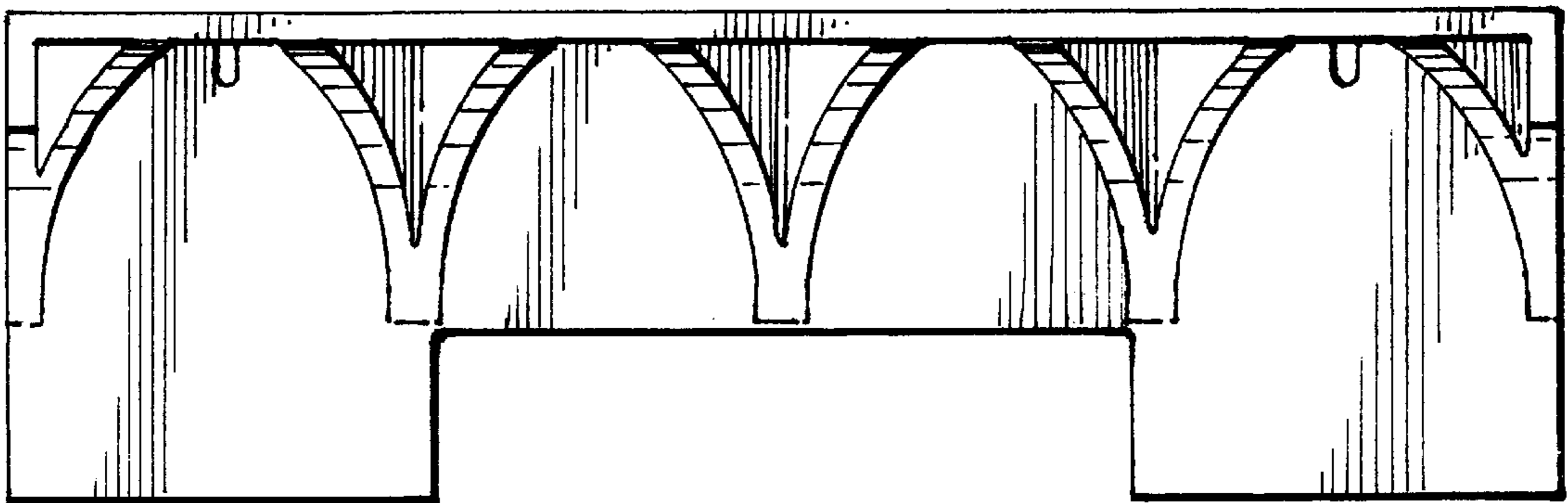
**1 Claim, 2 Drawing Sheets**



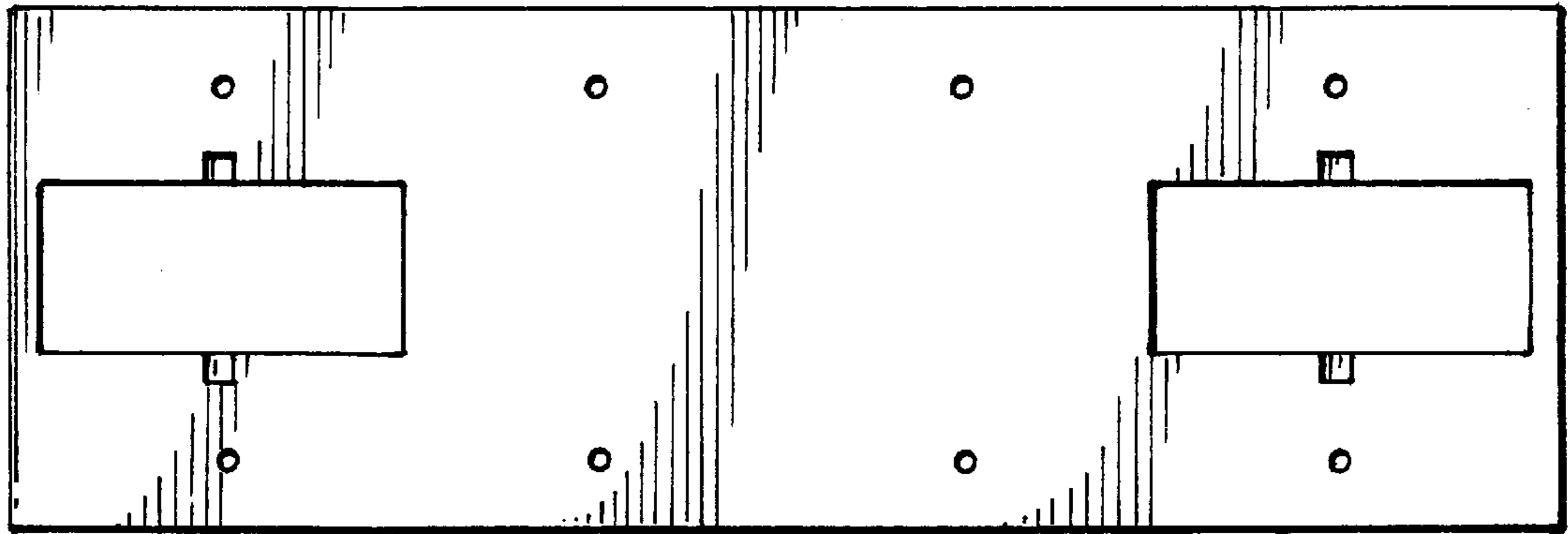


**FIG. 1**

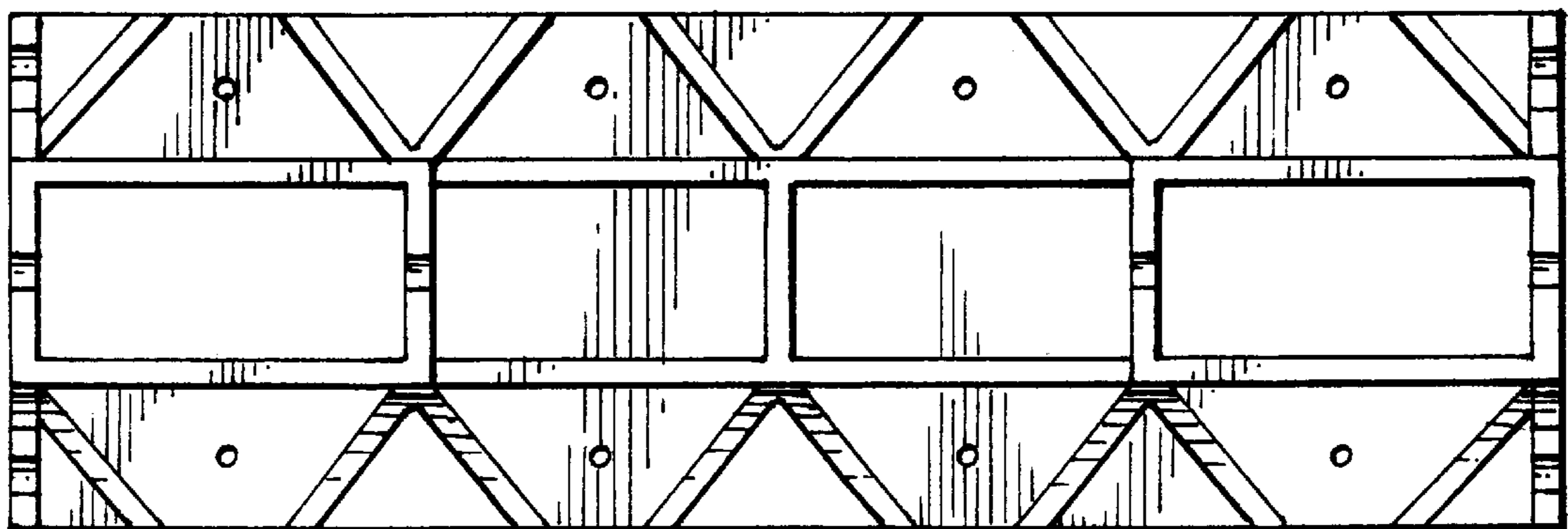
**FIG. 2**



**FIG. 3**



**FIG. 4**



**FIG. 5**