



US00D416421S

United States Patent [19] Hampshire

[11] **Patent Number: Des. 416,421**

[45] **Date of Patent: ** Nov. 16, 1999**

[54] **MAGNETIC BASKET**

4,530,479 7/1985 Chen 248/309.1

[75] Inventor: **James Hampshire**, Solon, Ohio

Primary Examiner—Brian N. Vinson
Attorney, Agent, or Firm—D. Peter Hochberg

[73] Assignee: **InterDesign, Inc.**, Solon, Ohio

[57] **CLAIM**

[**] Term: **14 Years**

The ornamental design for a magnetic basket, as shown and described.

[21] Appl. No.: **29/098,583**

[22] Filed: **Dec. 31, 1998**

DESCRIPTION

[51] **LOC (6) Cl.** **07-07**

FIG. 1 is a front perspective view of the magnetic basket according to the invention;

[52] **U.S. Cl.** **D6/553; D6/525; D3/304**

FIG. 2 is a rear perspective view of the magnetic basket as shown in FIG. 1;

[58] **Field of Search** D6/524-535, 536-540, D6/553, 567, 574; 206/77.1, 557, 562, 563; 211/13.1, 60.1, 70.6, 70.7, 71, 74-75, 86-88, 90, 126.1, 134; 220/908; 248/176.1, 309.1, 907

FIG. 3 is a top view of the magnetic basket as shown in FIG. 1;

FIG. 4 is a front view of the magnetic basket as shown in FIG. 1;

FIG. 5 is a rear view of the magnetic basket as shown in FIG. 1;

[56] **References Cited**

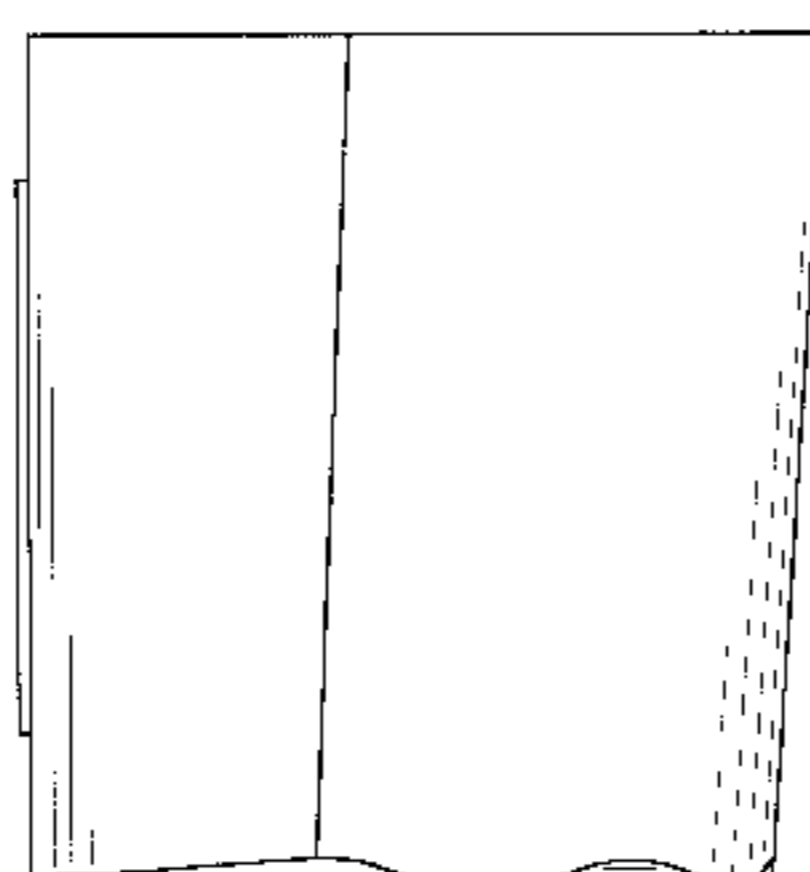
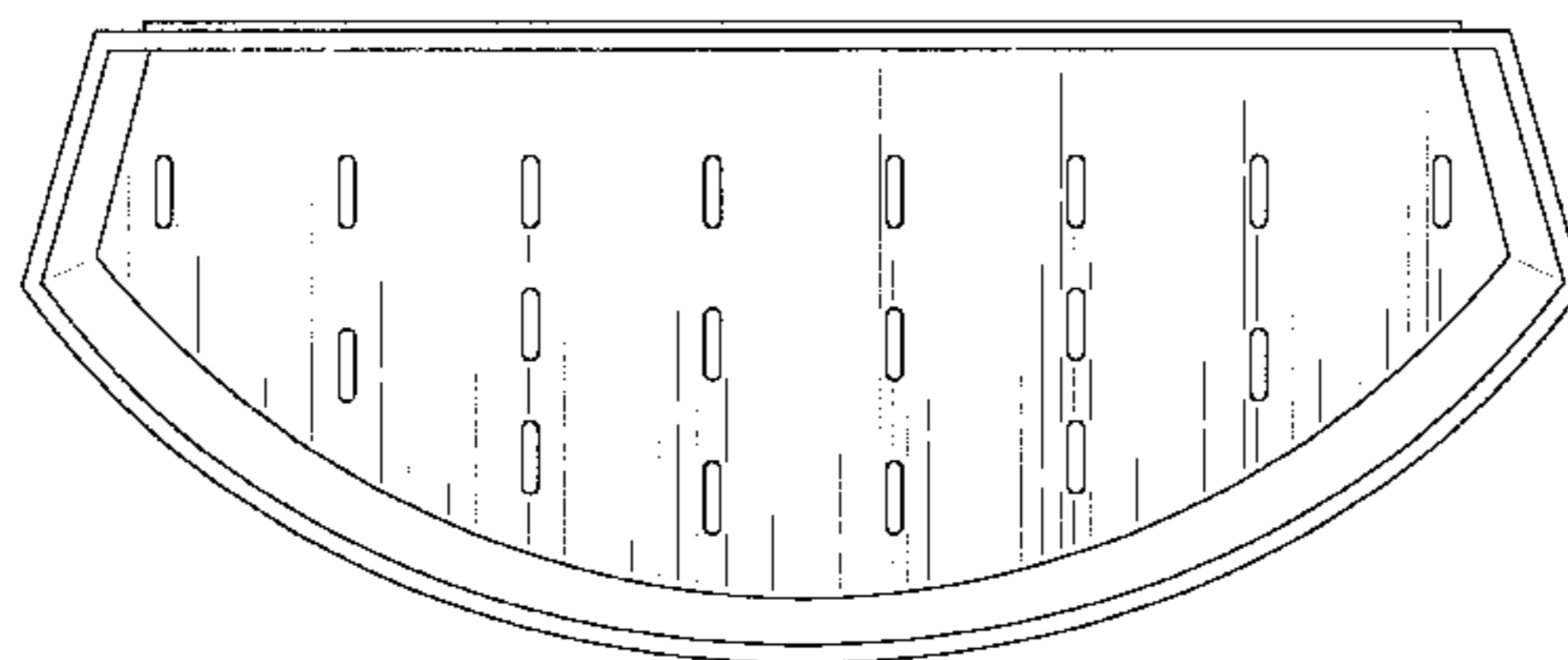
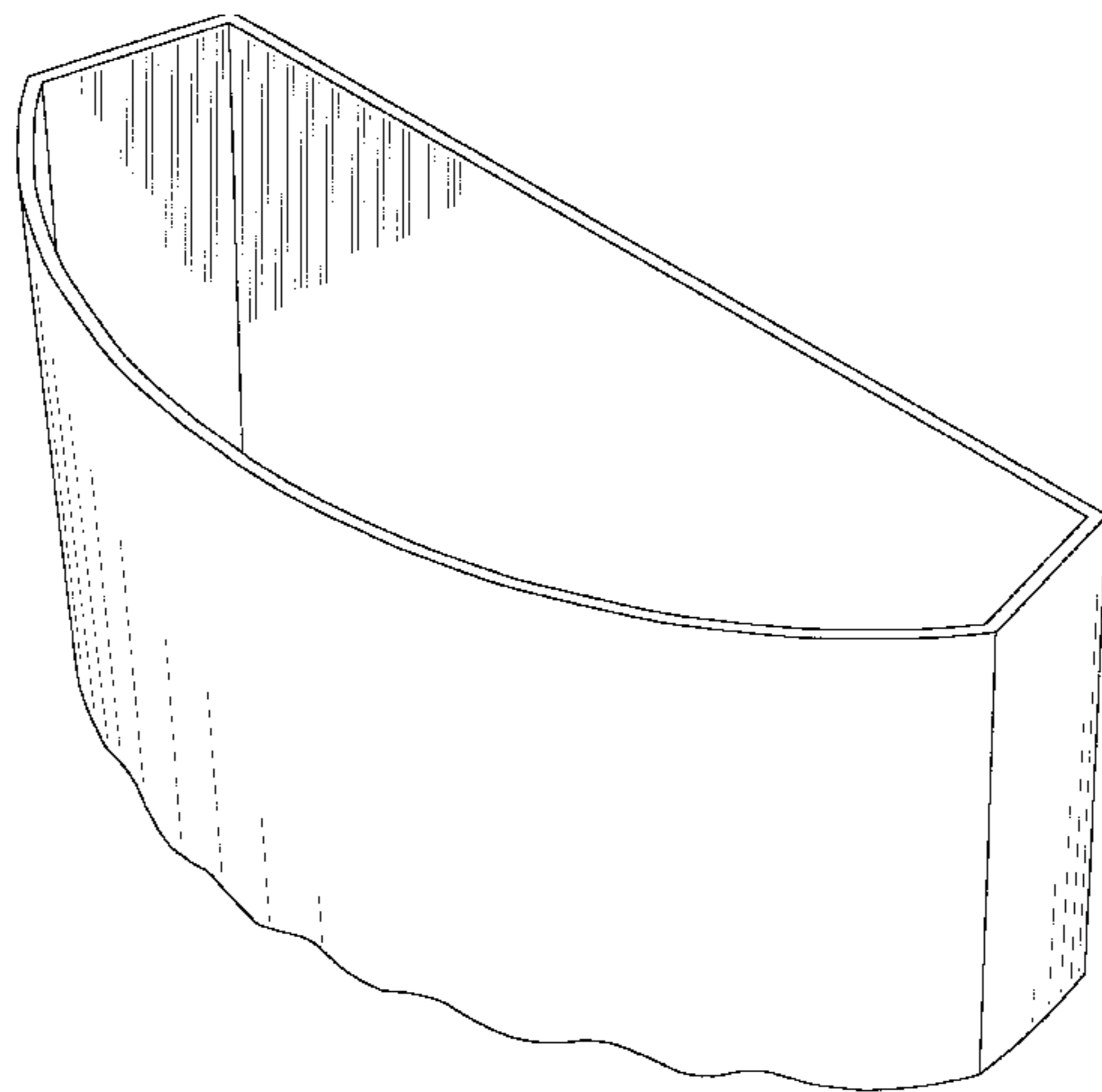
U.S. PATENT DOCUMENTS

D. 332,543	1/1993	Crook et al.	D6/524	X
D. 332,679	1/1993	Hines	D6/567	X
D. 362,780	10/1995	Hampshire	D6/567	
D. 388,993	1/1998	Hampshire	D6/567	

FIG. 6 is a bottom view of the magnetic basket as shown in FIG. 1; and,

FIG. 7 is a side view of the magnetic basket shown in FIG. 1.

1 Claim, 5 Drawing Sheets



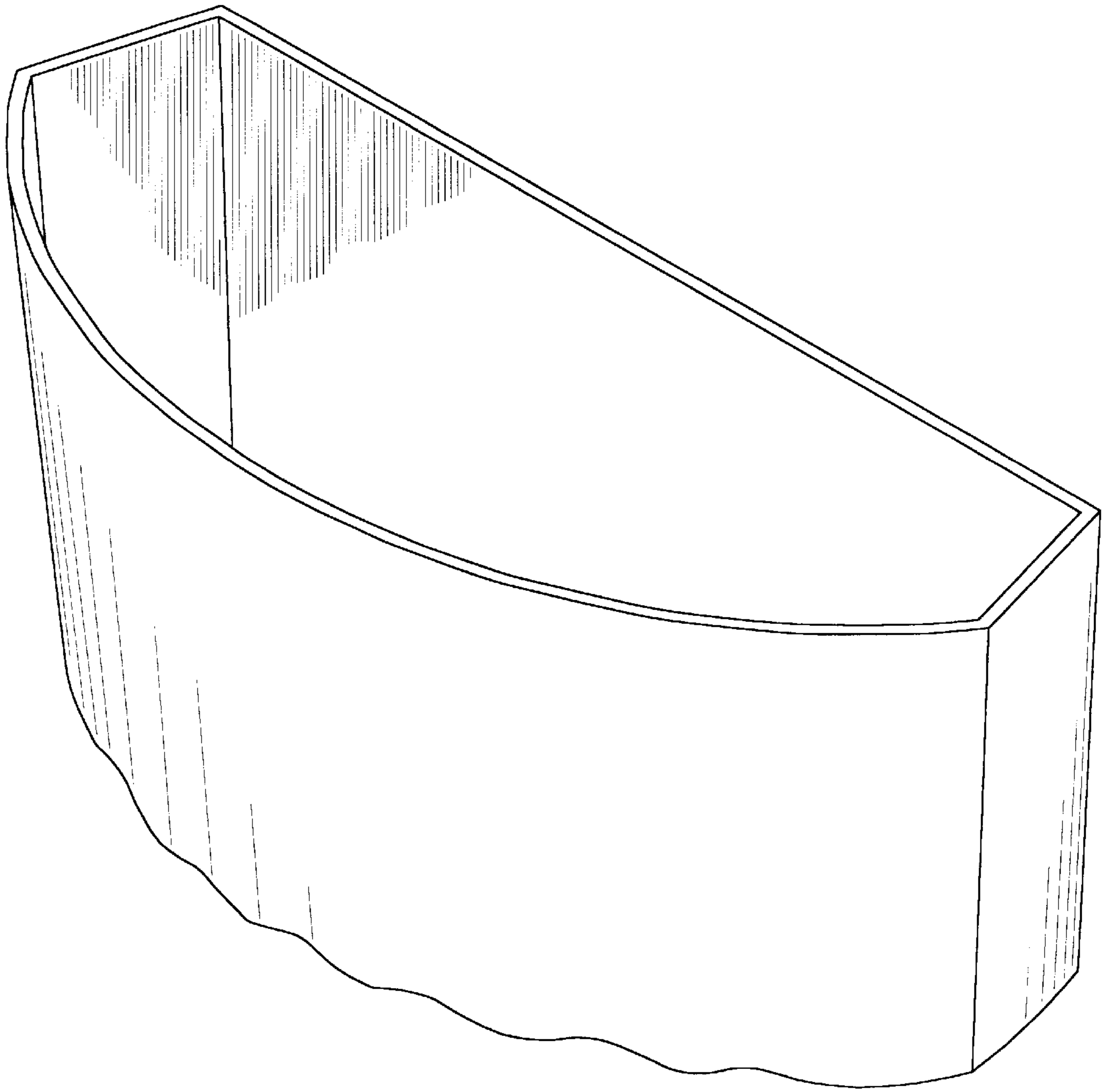


FIG-1

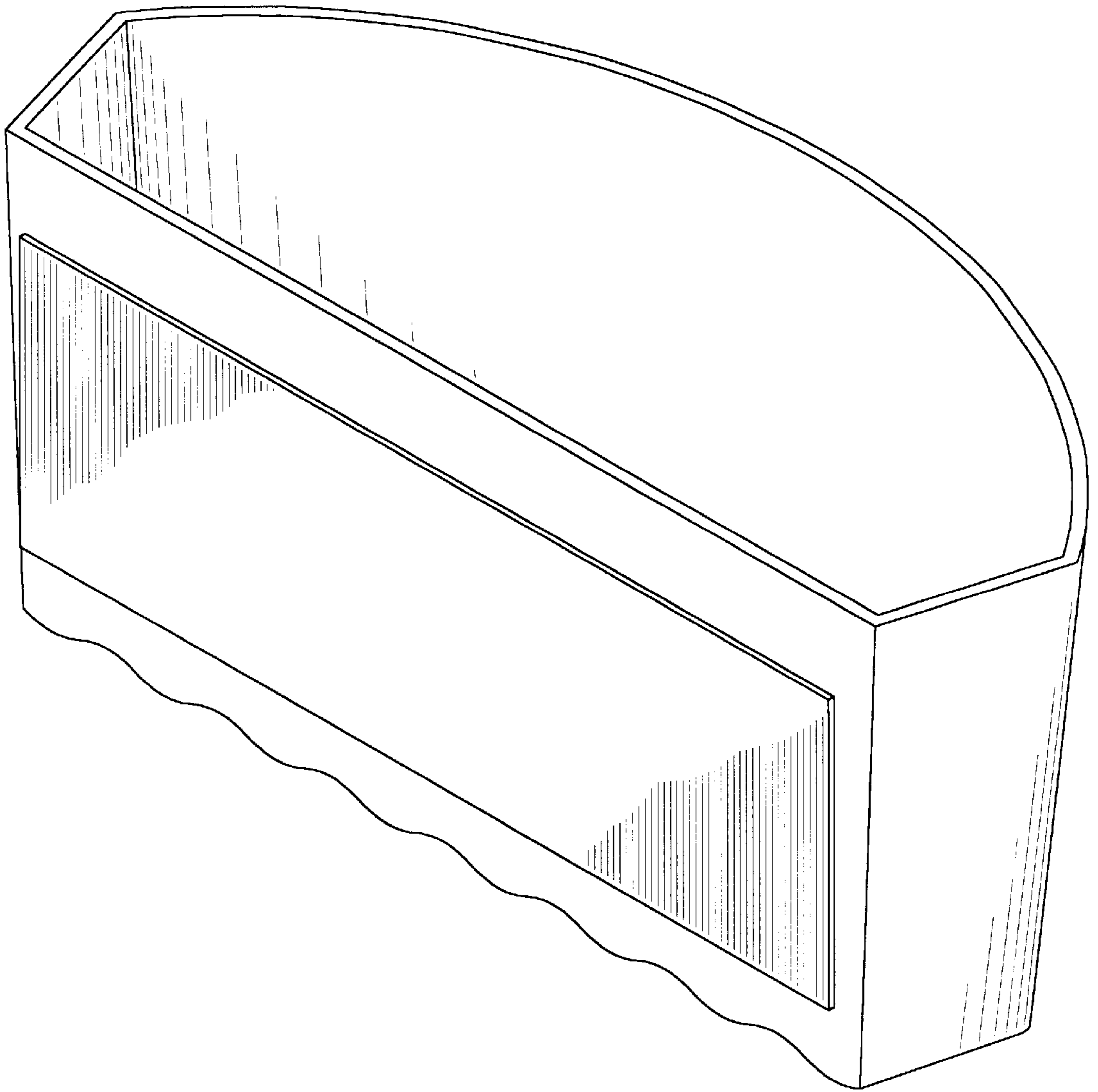


FIG-2

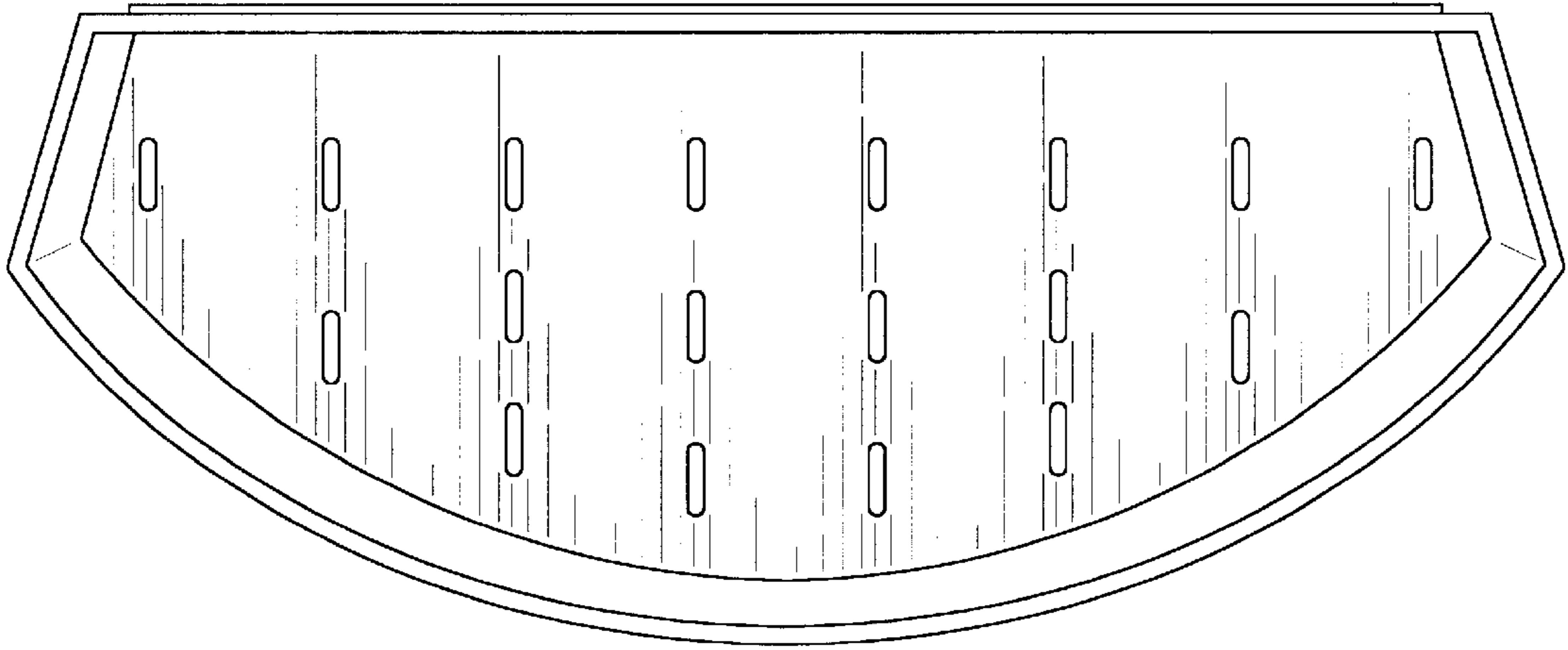


FIG-3

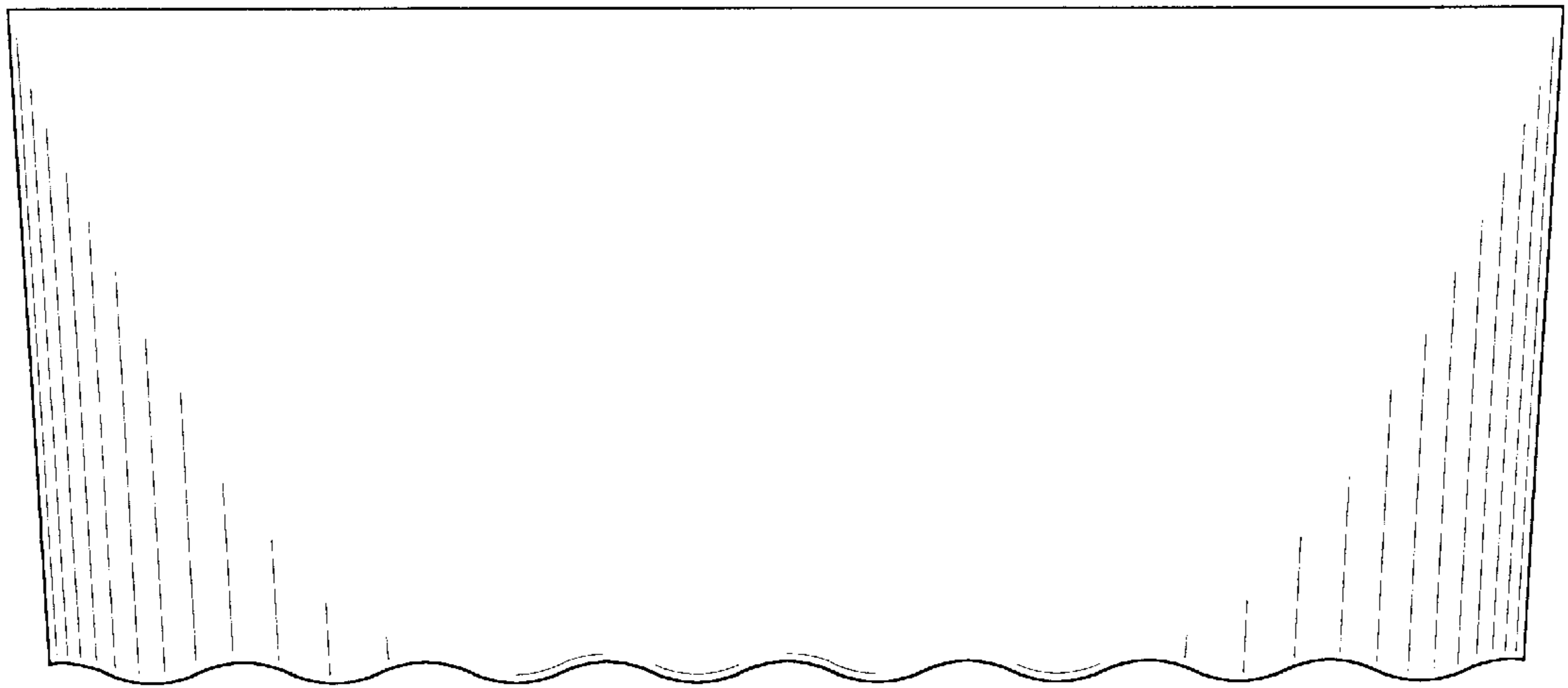


FIG-4

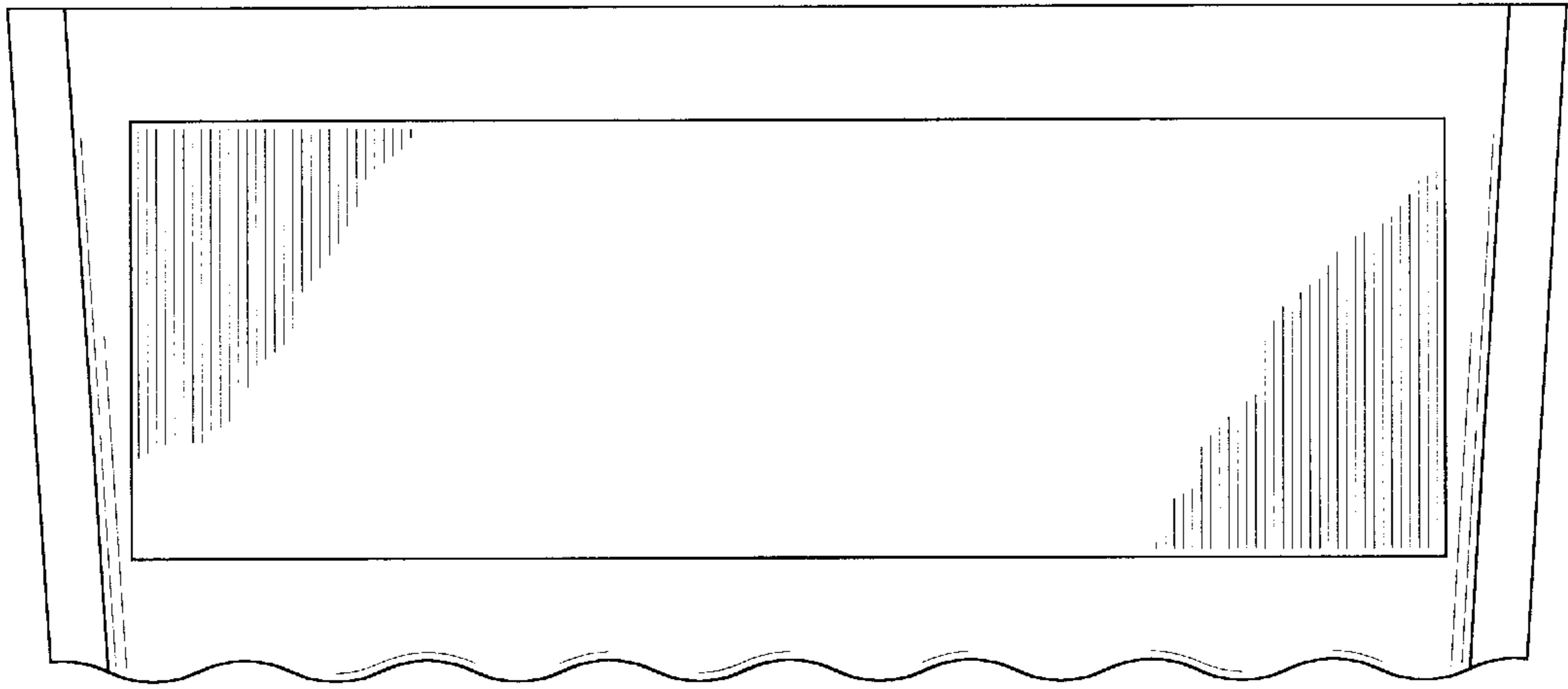


FIG-5

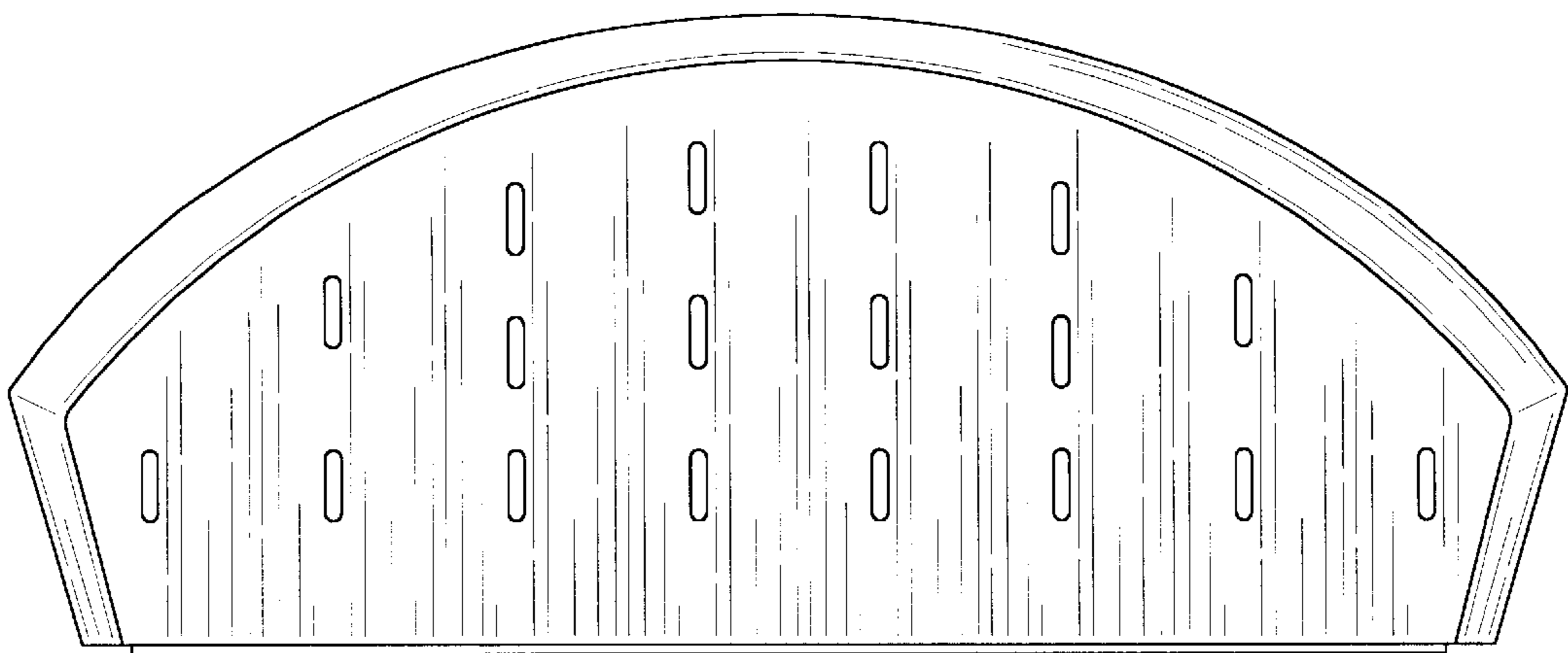


FIG-6

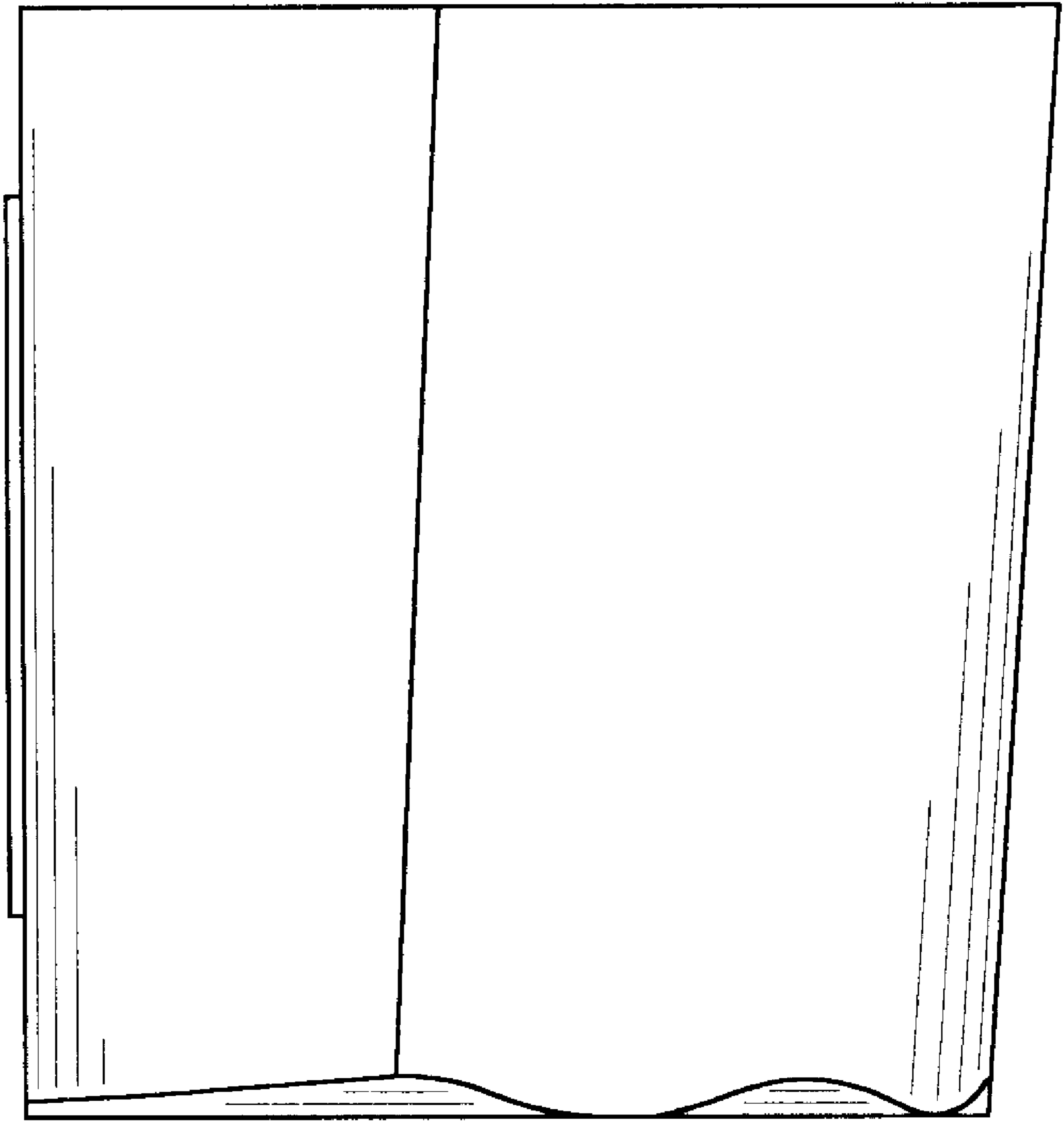


FIG-7