



US00D416416S

# United States Patent [19]

[11] Patent Number: **Des. 416,416**

Kelso et al.

[45] Date of Patent: **\*\* Nov. 16, 1999**

[54] **WALL MOUNTABLE CADDY**

D. 357,837 5/1995 Kea ..... D6/540

[75] Inventors: **William J. Kelso**, Exton, Pa.; **James A. Hofman**, Hockessin, Del.

*Primary Examiner*—Susan J. Lucas  
*Assistant Examiner*—Cynthia Ramirez  
*Attorney, Agent, or Firm*—Edgar A. Zarins; Lloyd D. Doigan

[73] Assignee: **Zenith Products Corp.**, New Castle, Del.

[57] **CLAIM**

[\*\*] Term: **14 Years**

The ornamental design for a wall mountable caddy, as shown and described.

[21] Appl. No.: **29/087,700**

**DESCRIPTION**

[22] Filed: **May 7, 1998**

[51] **LOC (6) Cl.** ..... **06-02**

FIG. 1 is a perspective view of a wall mountable caddy showing our new design;

[52] **U.S. Cl.** ..... **D6/545; D6/525; D6/527**

FIG. 2 is a front elevational view thereof;

[58] **Field of Search** ..... **D32/53; D6/573,**

FIG. 3 is a top plan view thereof;

**D6/553, 569, 574, 524, 525, 526, 527,**

FIG. 4 is a left side view thereof, the opposite side being a mirror image of the side shown;

**528, 529, 531, 532, 534, 535, 536, 540,**

FIG. 5 is a rear elevational view thereof; and,

**542, 545; 248/359.1, 312; 211/60.1, 65,**

FIG. 6 is a perspective view of an alternative embodiment thereof.

**75, 88, 113, 119**

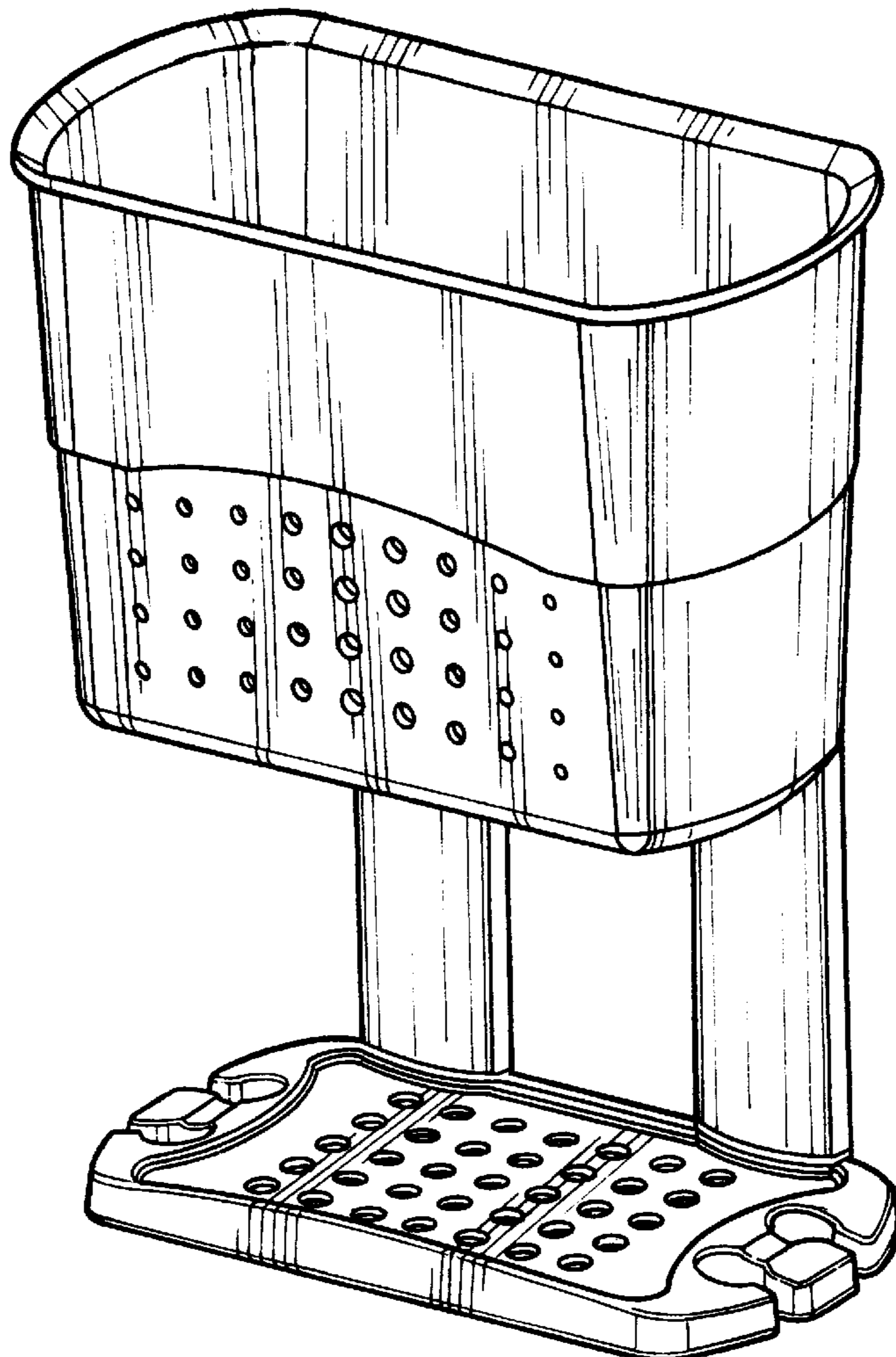
The suction cup has been omitted in FIG. 5 for clarity of illustration.

[56] **References Cited**

**U.S. PATENT DOCUMENTS**

D. 310,457 9/1990 Heap ..... D6/525

**1 Claim, 3 Drawing Sheets**



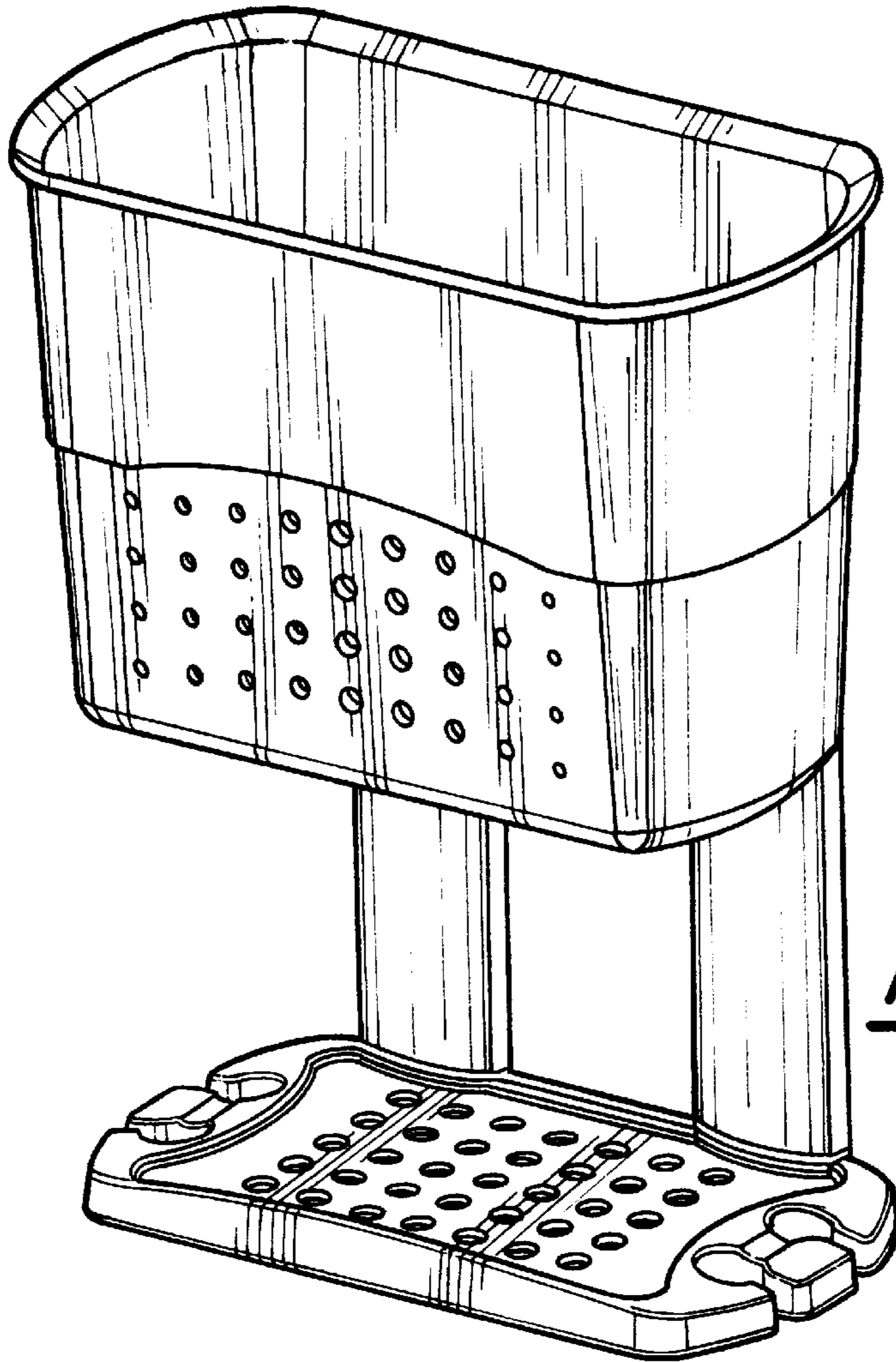


Fig-1

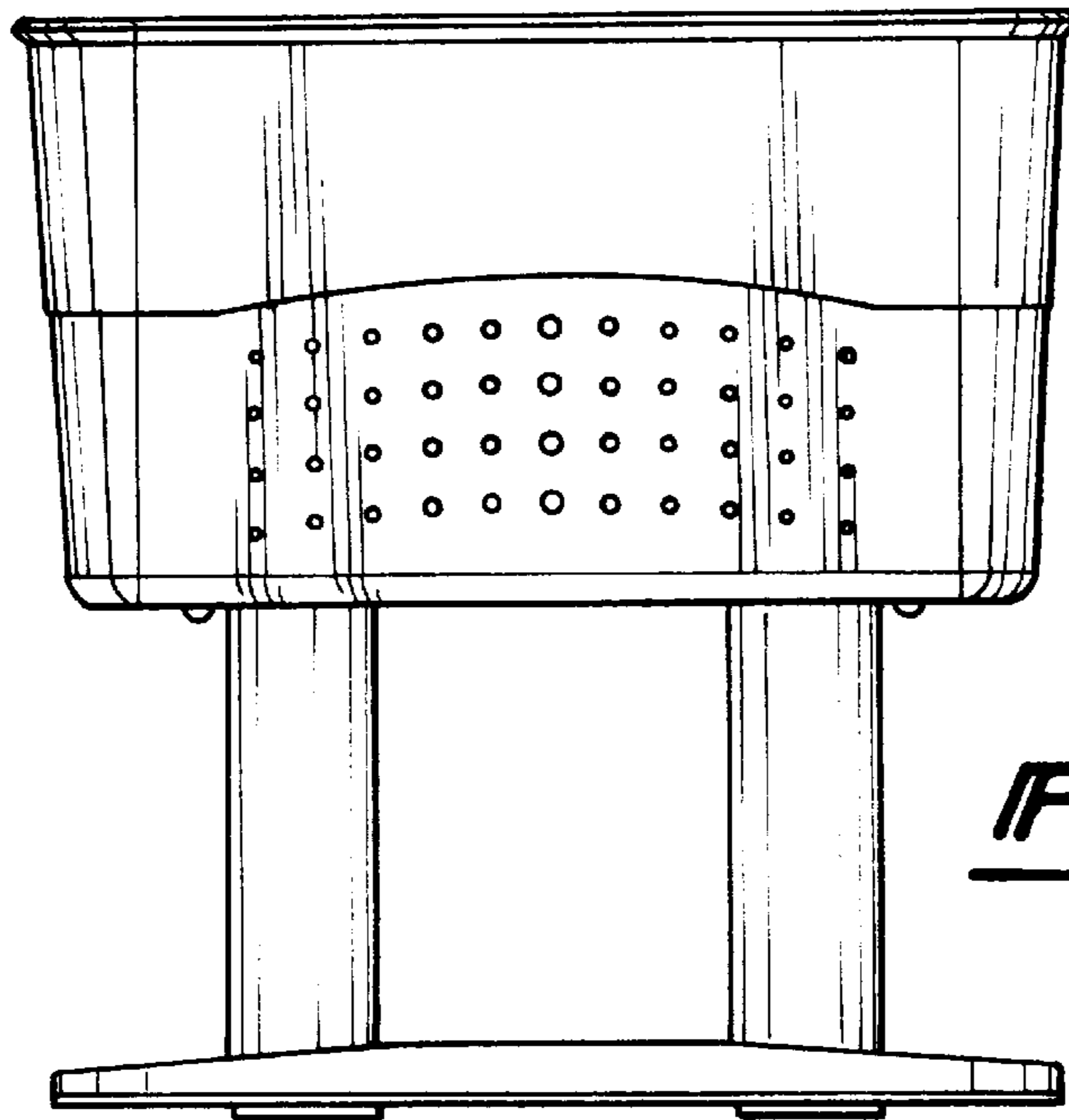


Fig-2

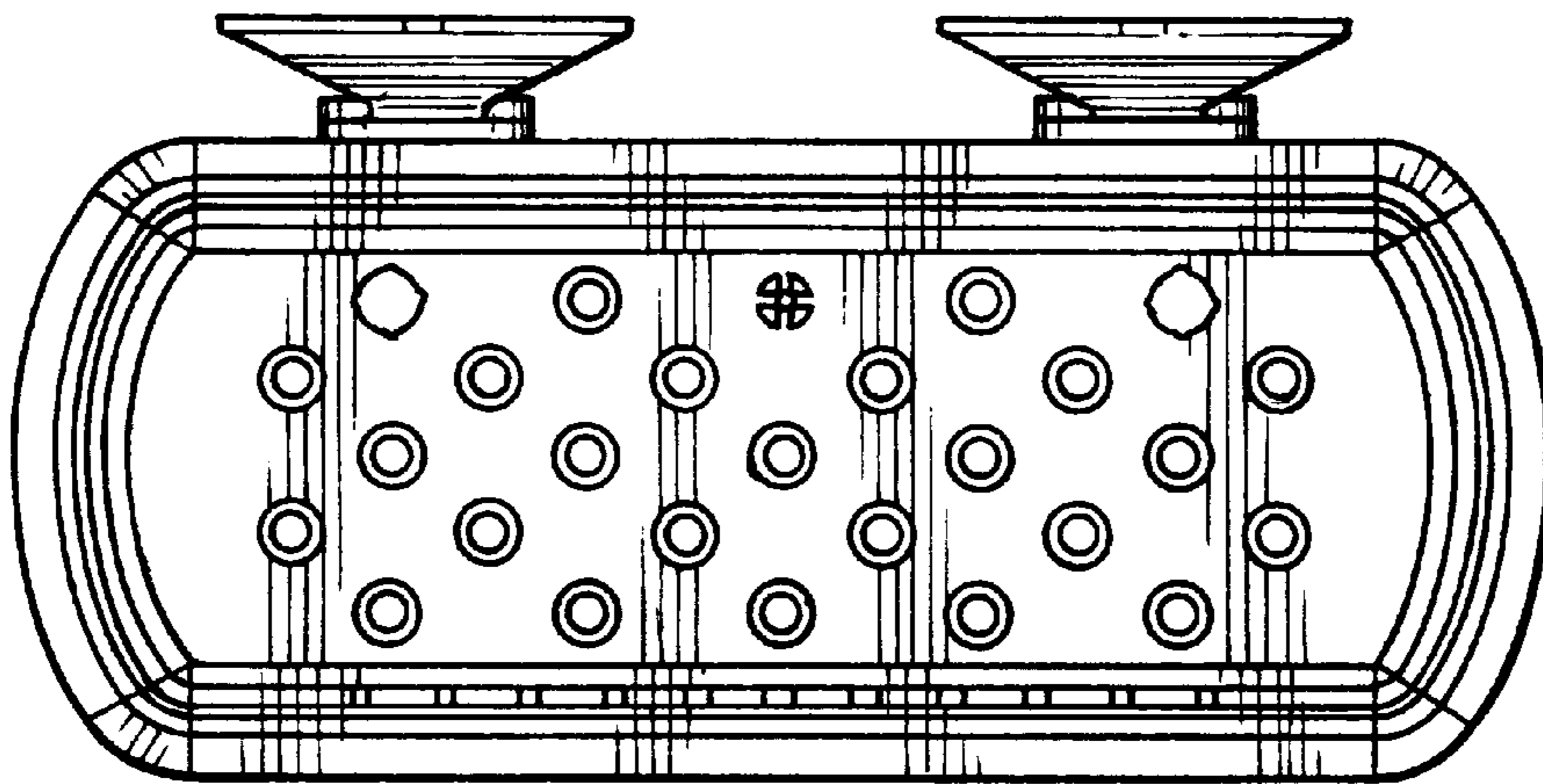


Fig-3

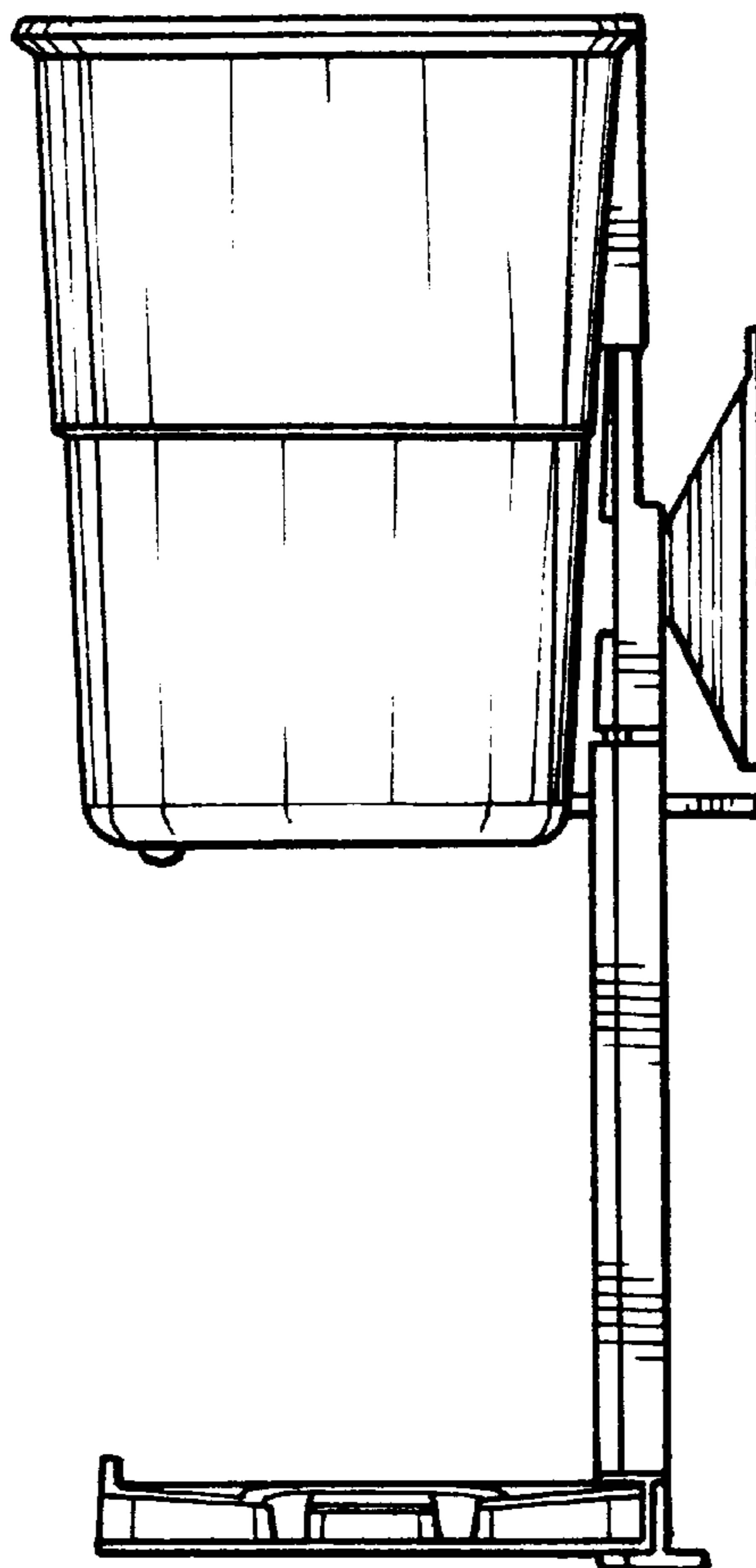


Fig-4

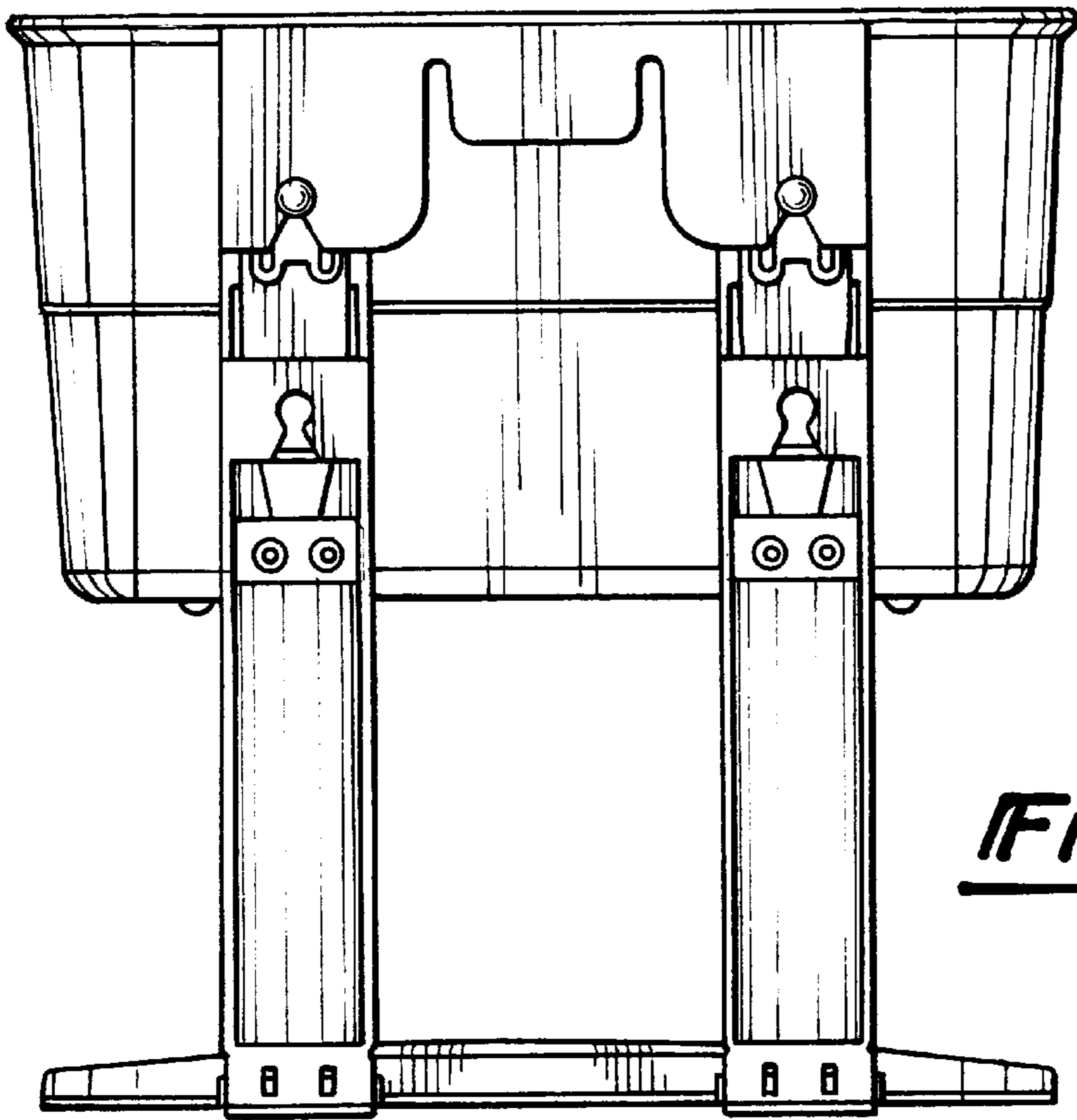


Fig-5

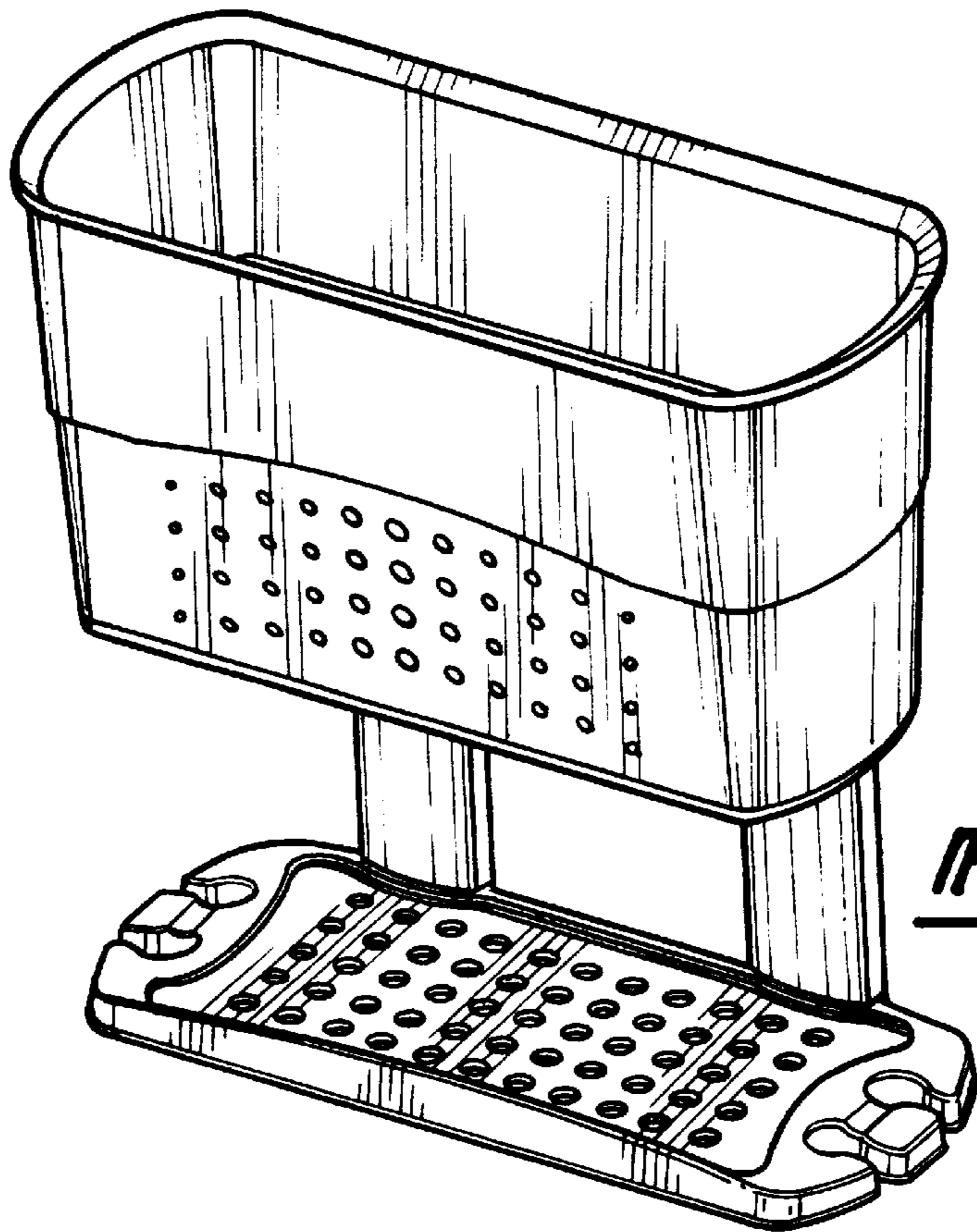


Fig-6