



US00D416414S

United States Patent [19]
Hampshire

[11] **Patent Number: Des. 416,414**

[45] **Date of Patent: ** Nov. 16, 1999**

[54] **SOAP TRAY**

D. 407,252 3/1999 Hampshire D6/540
D. 409,426 5/1999 Hampshire D6/567

[76] Inventor: **James F. Hampshire**, 8252 Darrow Rd., Suite F, Twinsburg, Ohio 44087

Primary Examiner—Brian N. Vinson
Attorney, Agent, or Firm—Oldham & Oldham Co., LPA

[**] Term: **14 Years**

[57] **CLAIM**

[21] Appl. No.: **29/096,272**

The ornamental design for the “soap tray”, as shown and described.

[22] Filed: **Nov. 9, 1998**

[51] **LOC (6) Cl.** **07-07**

[52] **U.S. Cl.** **D6/540**

[58] **Field of Search** D6/536–540; 206/77.1; 211/13.1, 86–90, 126, 134

DESCRIPTION

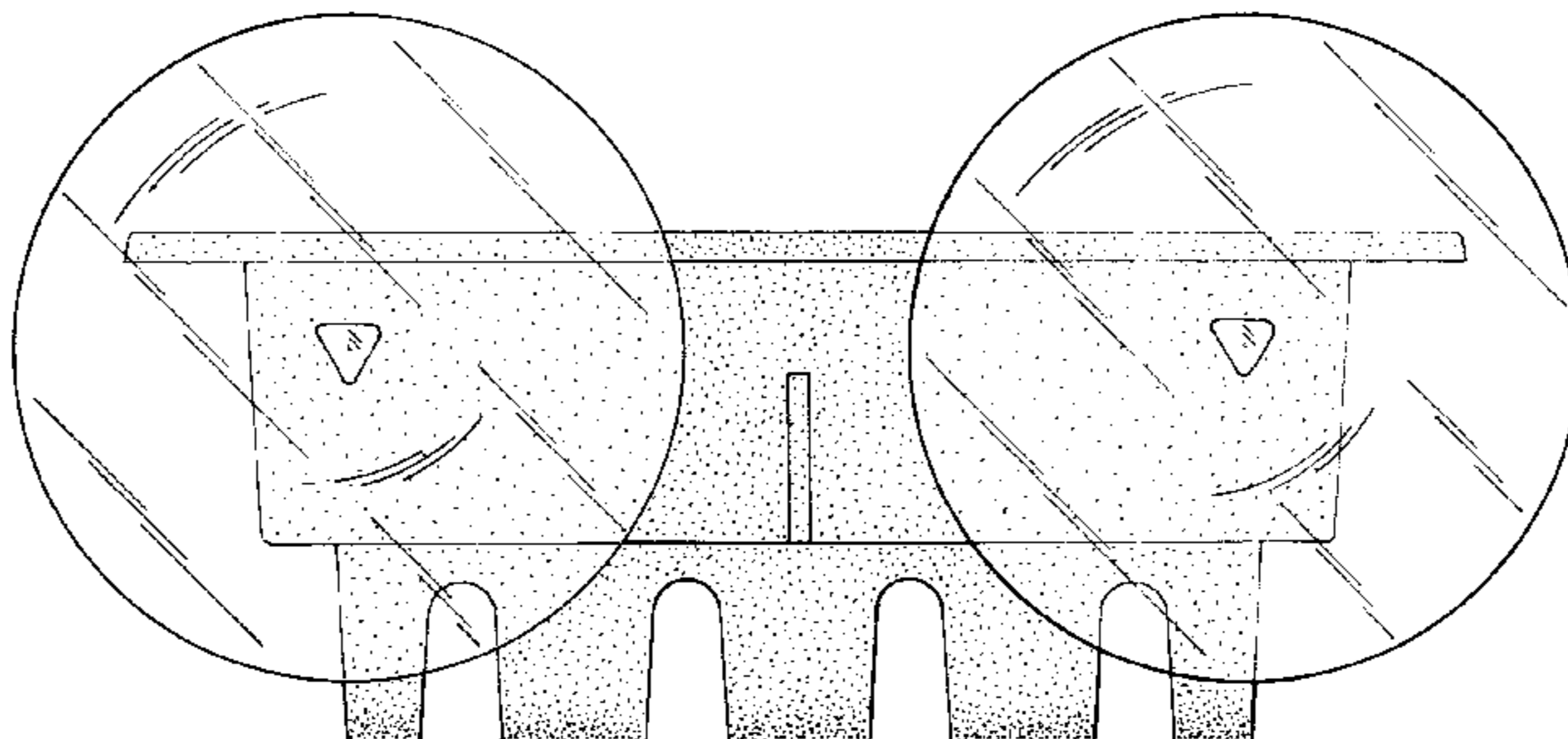
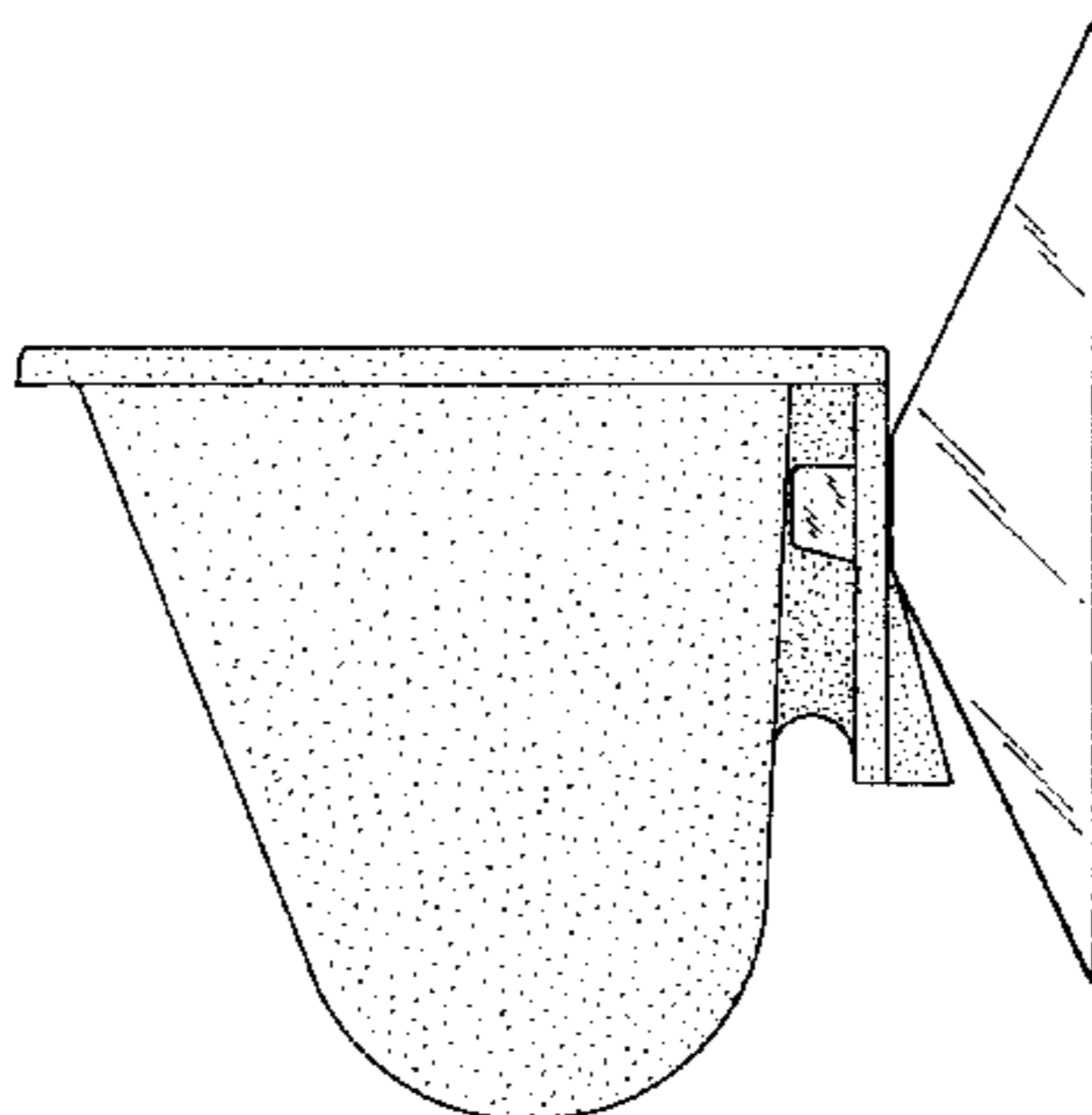
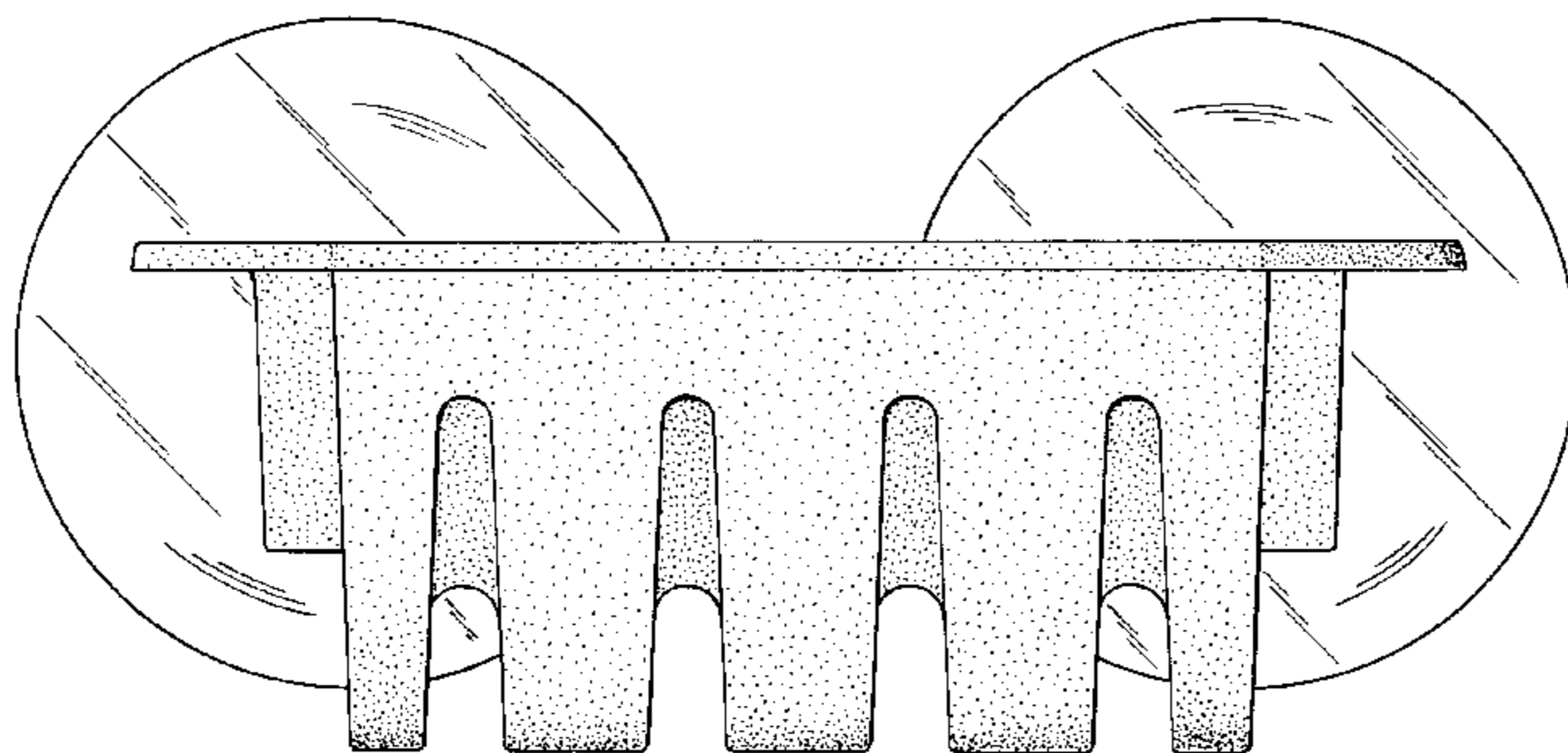
FIG. 1 is a top view of a new design of a soap tray; FIG. 2 is a front elevational view with reference to FIG. 1; FIG. 3 is a right side elevational view, the left side elevational view being a mirror image thereof; FIG. 4 is a rear elevational view; and, FIG. 5 is a bottom view.

[56] **References Cited**

U.S. PATENT DOCUMENTS

D. 355,320 2/1995 Jauregui D6/540
D. 369,263 4/1996 Gregg D6/540

1 Claim, 2 Drawing Sheets



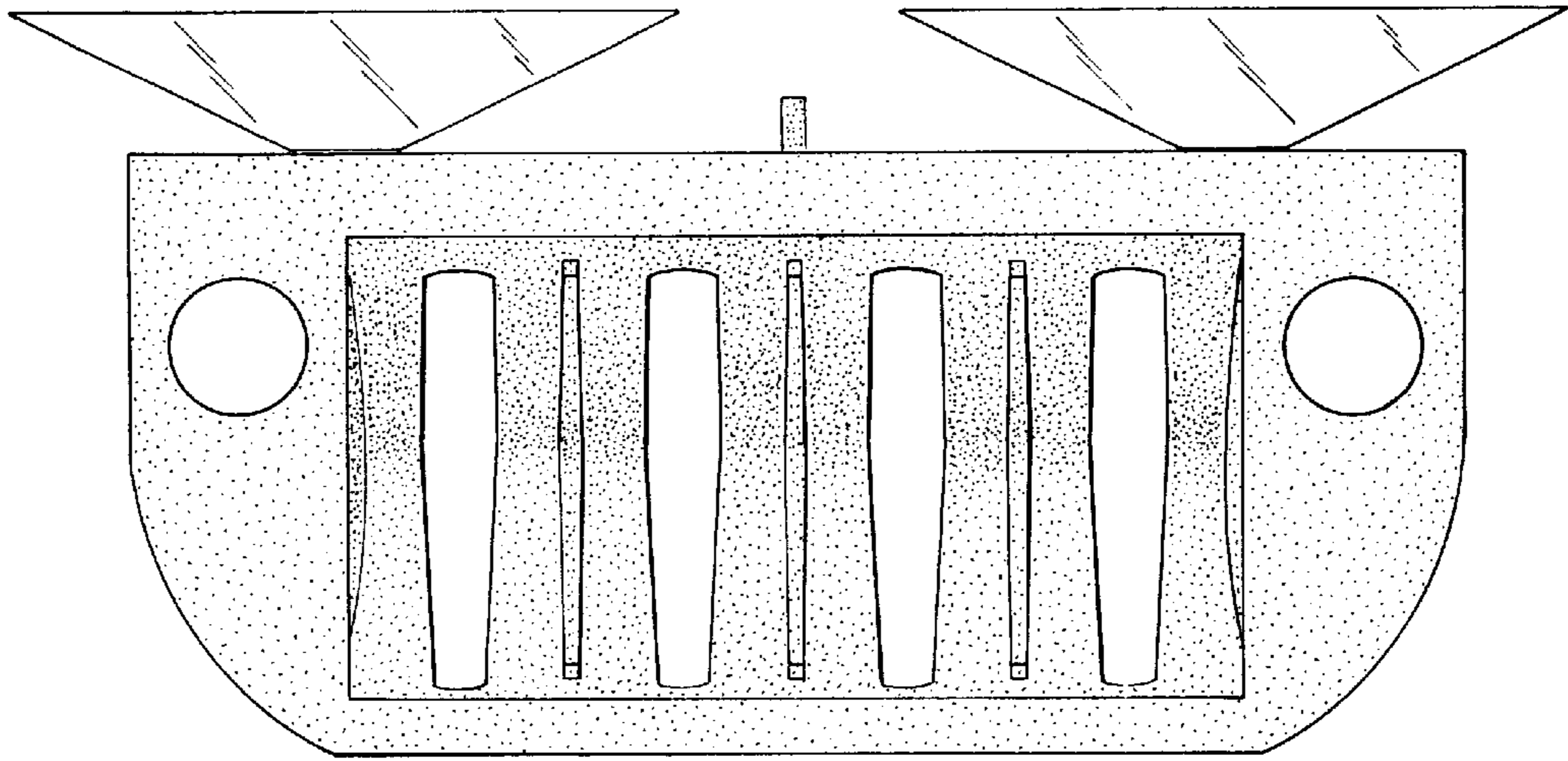


FIG. - 1

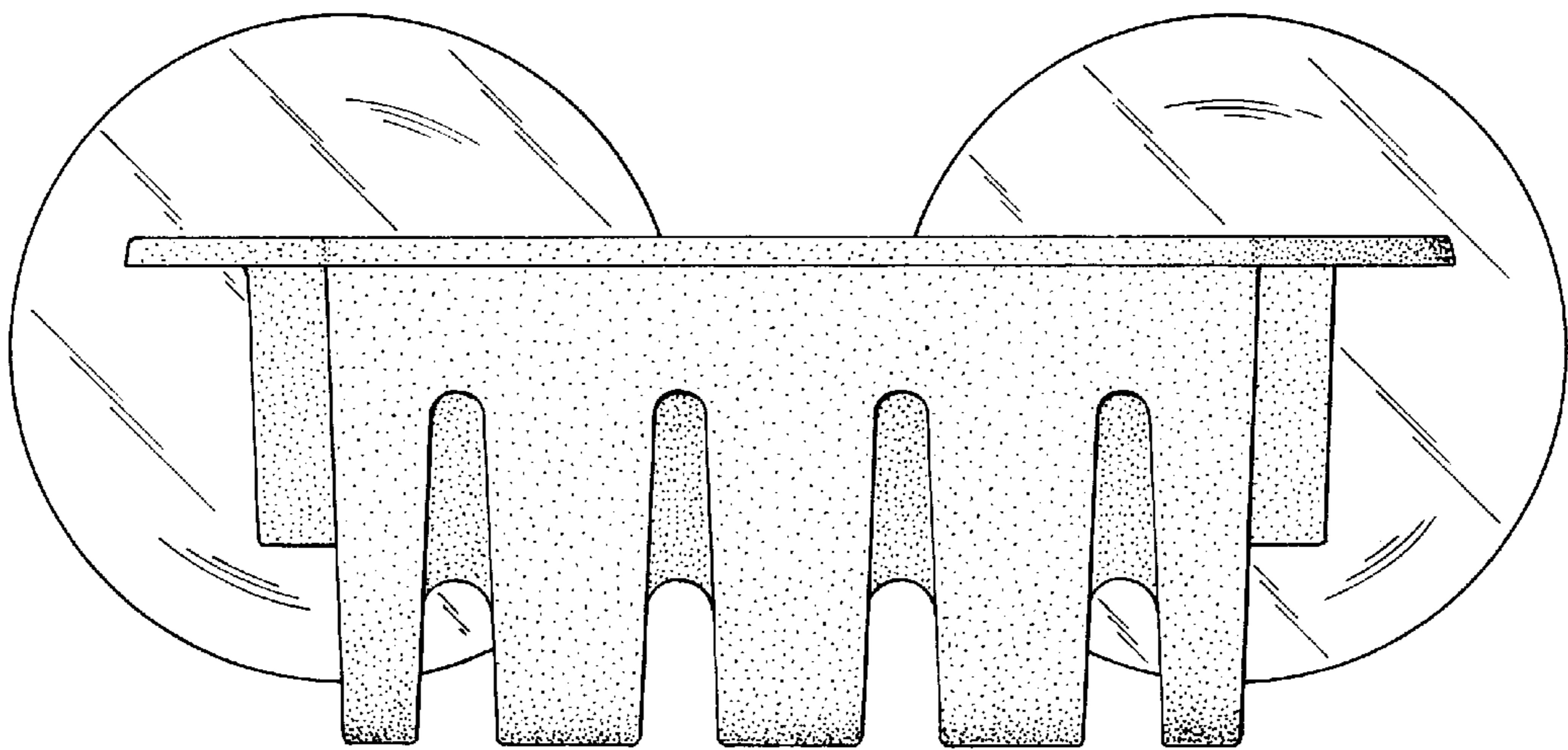


FIG. - 2

FIG.-3

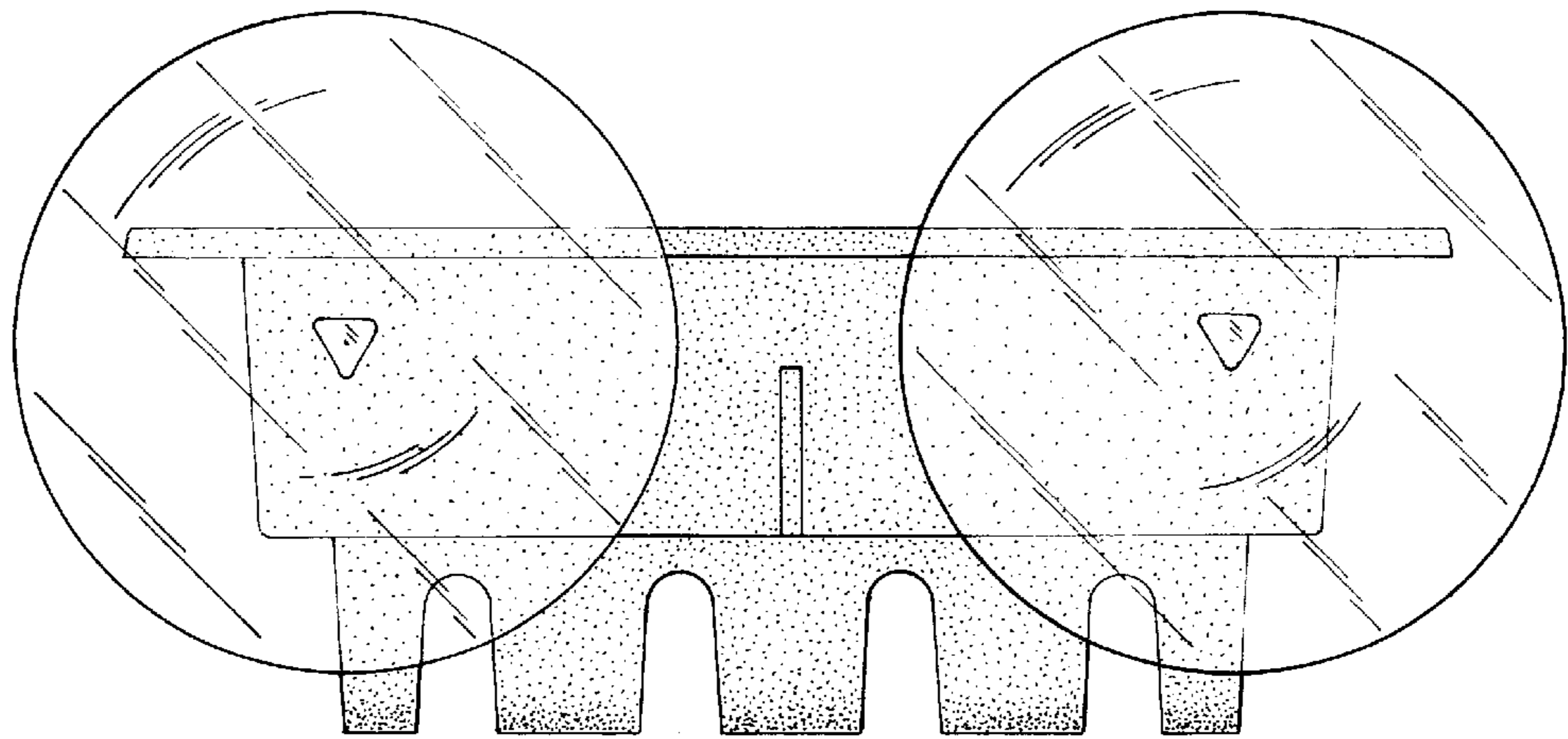
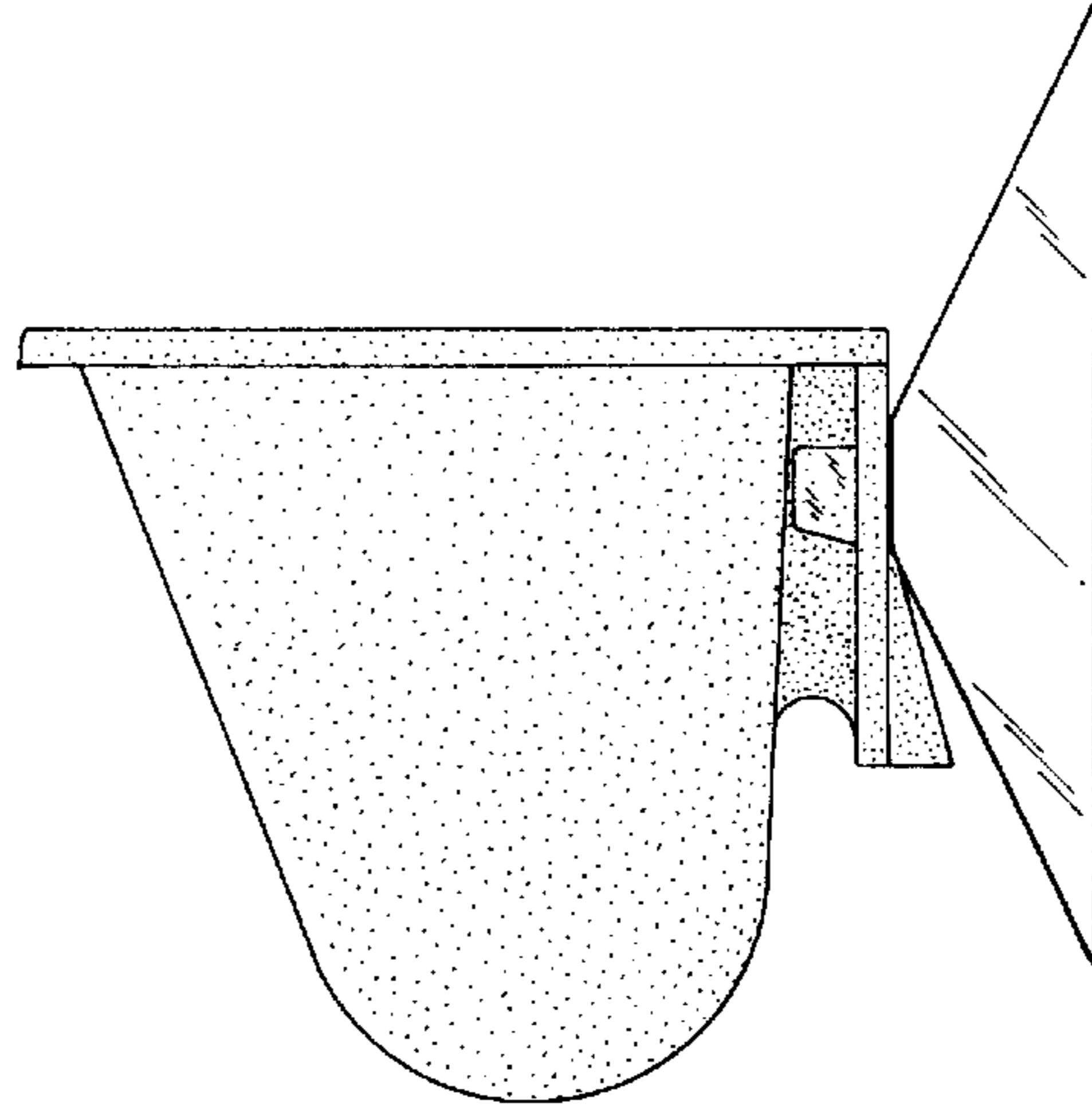


FIG.-4

FIG.-5

