



US00D416408S

United States Patent [19] Talin

[11] **Patent Number: Des. 416,408**

[45] **Date of Patent: ** Nov. 16, 1999**

[54] **BACK FOR A CHAIR OR AN ARMCHAIR**

D. 406,196 3/1999 Lyons D6/375

[75] Inventor: **Stefano Talin**, Valdagno, Italy

Primary Examiner—Gary D. Watson
Attorney, Agent, or Firm—Bucknam and Archer

[73] Assignee: **Talin S.p.A.**, Cornedo Vicentino, Italy

[57] **CLAIM**

[**] Term: **14 Years**

The ornamental design for a back for a chair or an armchair, as shown and described.

[21] Appl. No.: **29/097,889**

[22] Filed: **Dec. 17, 1998**

DESCRIPTION

[51] **LOC (6) Cl.** **06-06**

FIG. 1 is a perspective view of the back of a chair or an armchair. The chair itself which is not part of this invention is shown in dotted lines;

[52] **U.S. Cl.** **D6/502**; D6/374

FIG. 2 is a front elevational view of the back of the chair, the top part being concave with respect to the remaining portion of the back;

[58] **Field of Search** D6/334, 373, 374, D6/375, 379, 380, 500, 501, 502; 297/445.1, 446.1, 452.48, DIG. 1, DIG. 2

FIG. 3 is the rear elevational view of the back of the chair, the top part being convex with respect to the remaining portion of the back;

[56] **References Cited**

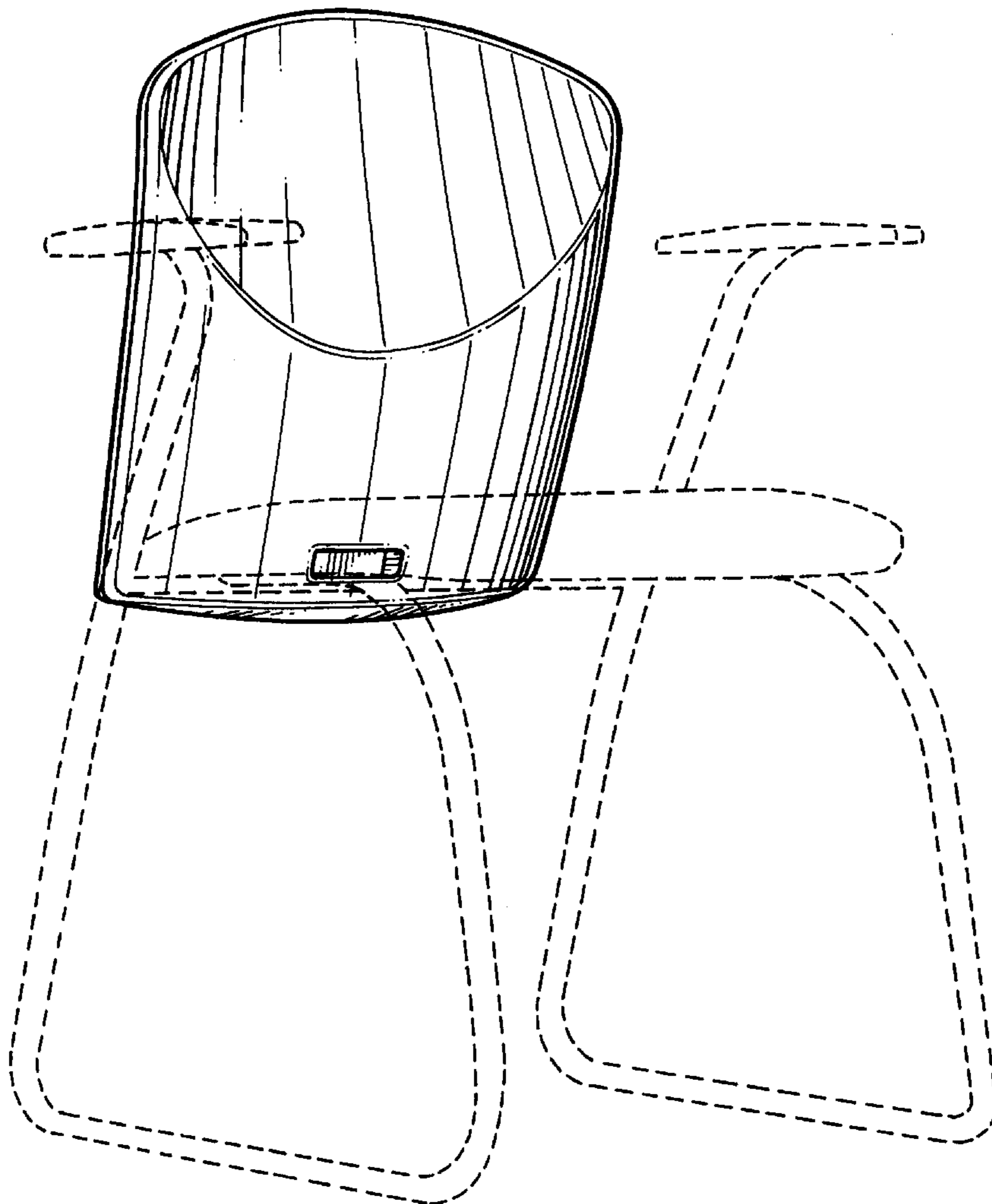
U.S. PATENT DOCUMENTS

D. 171,116	12/1953	Adkinson	D6/374
D. 215,427	9/1969	Strassle	D6/375
D. 222,997	2/1972	Edgar et al.	D6/374
D. 346,911	5/1994	Lucci et al.	D6/374
D. 396,563	8/1998	Meijer	D6/334

FIG. 4 is the right side view of the back of the chair, the left side being the mirror image;

FIG. 5 is a top plan view of the back of the chair; and,
FIG. 6 is the bottom plan view of the back of the chair.

1 Claim, 3 Drawing Sheets



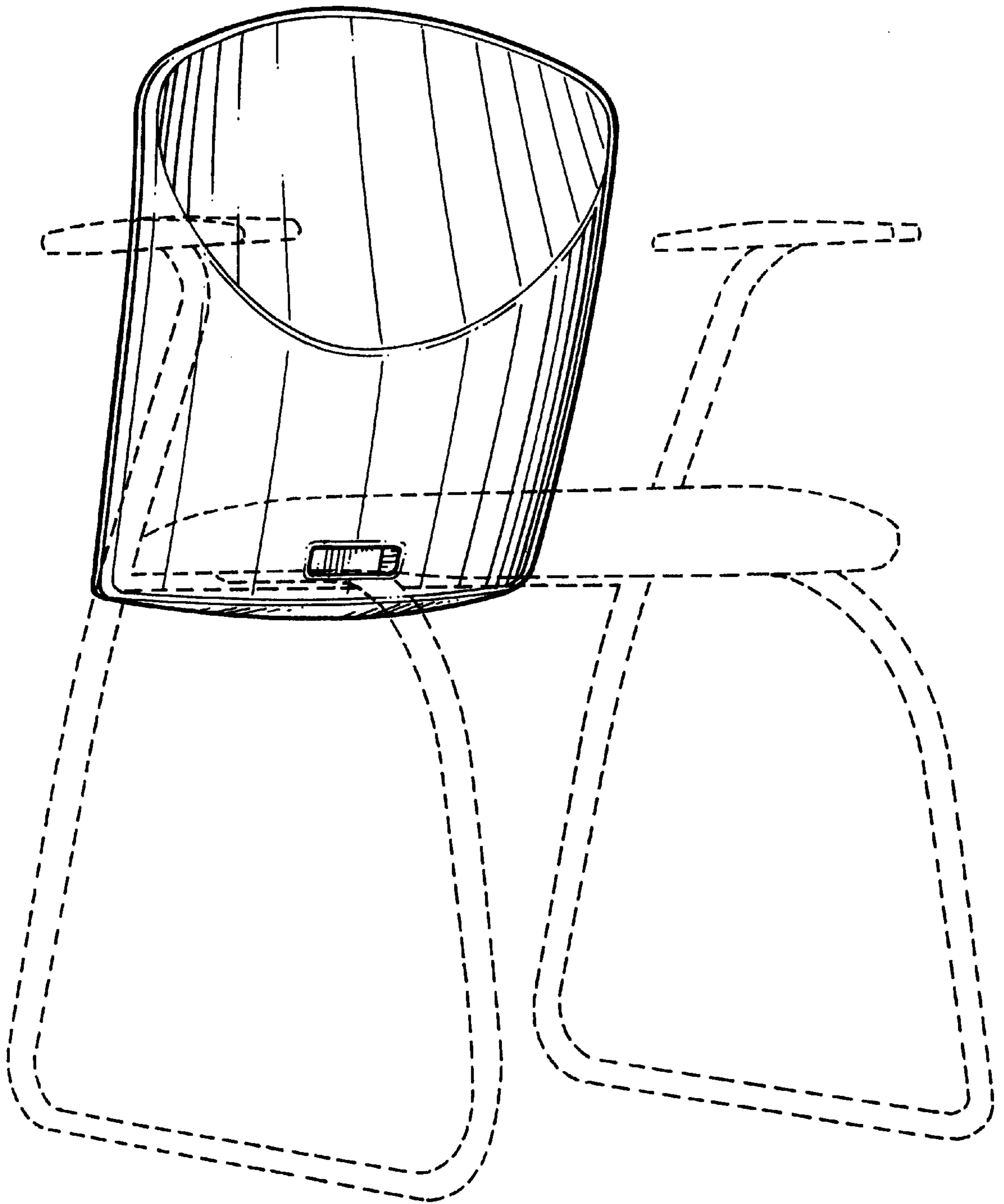


FIG. 1

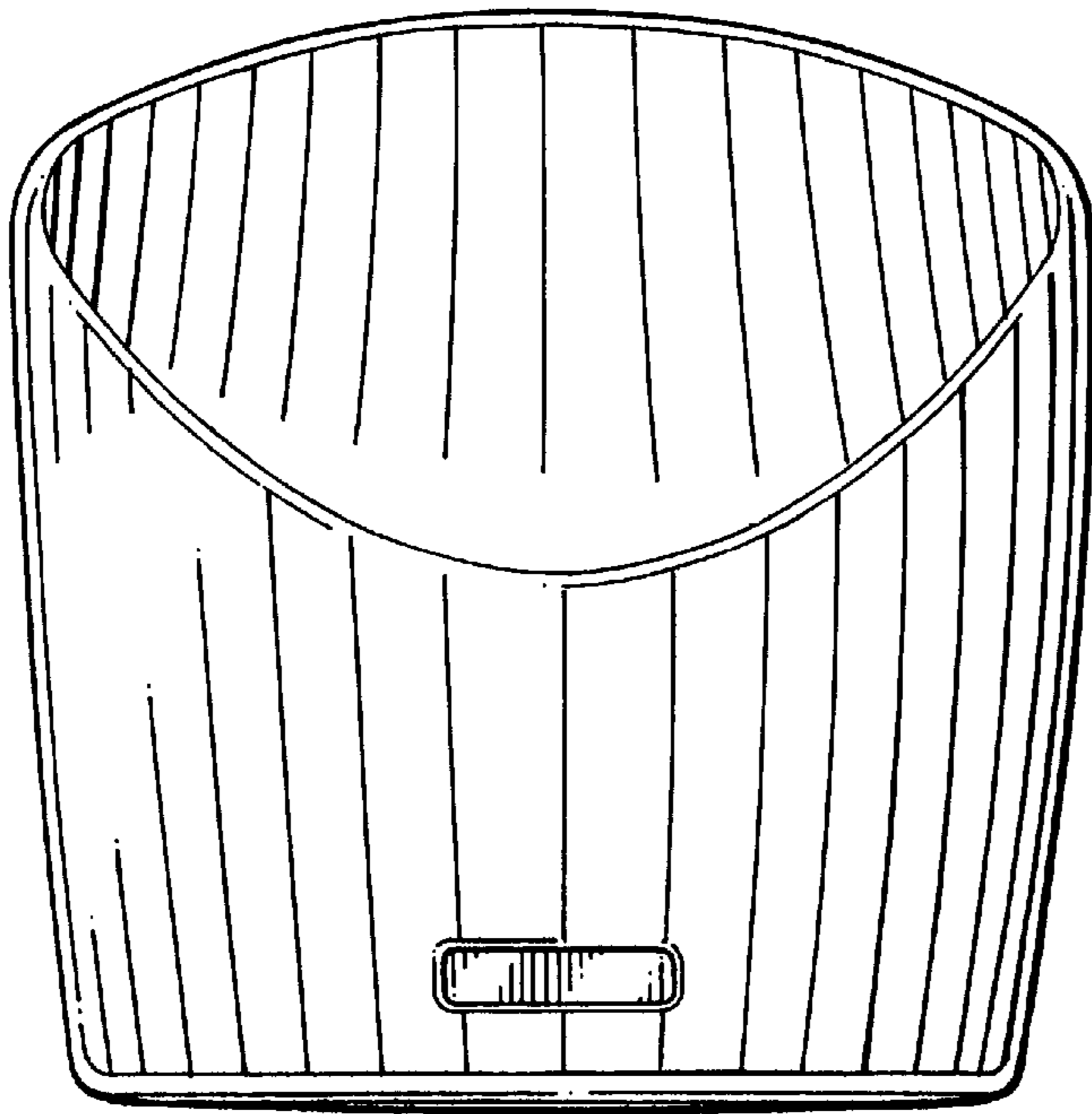


FIG. 2



FIG. 4

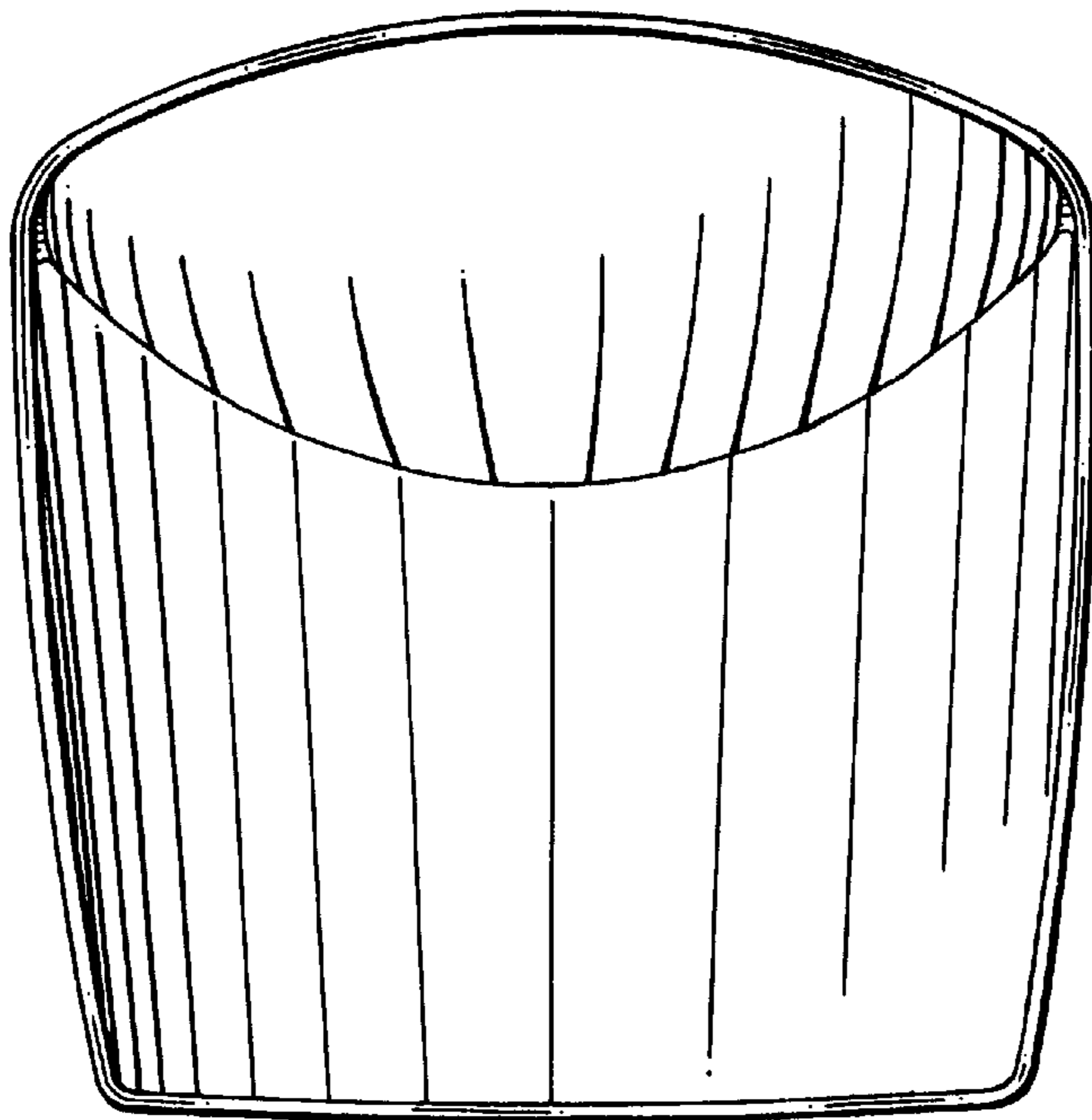


FIG. 3

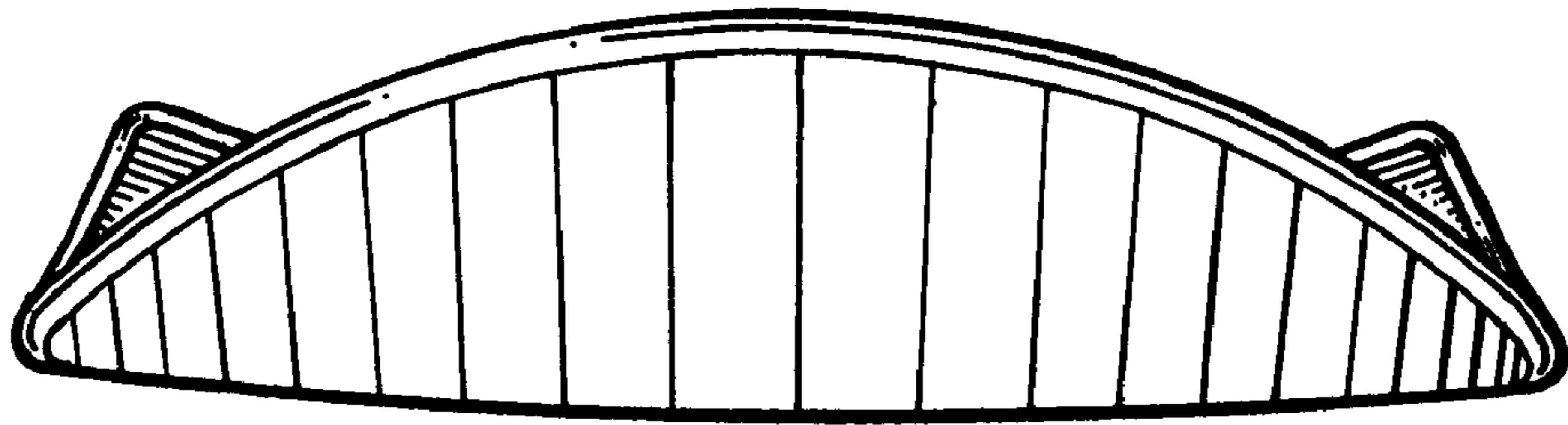


FIG. 5

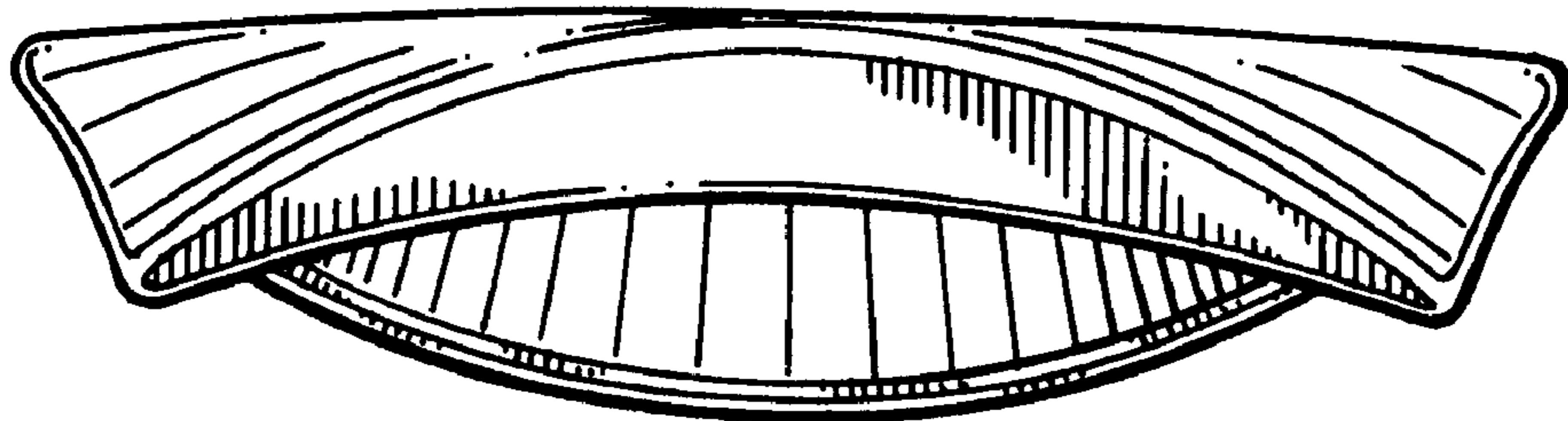


FIG. 6