



US00D416407S

United States Patent [19]

Baumann et al.

[11] Patent Number: **Des. 416,407**

[45] Date of Patent: **** Nov. 16, 1999**

[54] **CHAIR**

[75] Inventors: **Stephen J. Baumann**, Oconomowoc;
Martin E. Olson Gunderson; Mark D. Dart, both of Green Bay, all of Wis.

[73] Assignee: **Krueger International, Inc.**, Green Bay, Wis.

[**] Term: **14 Years**

[21] Appl. No.: **29/097,700**

[22] Filed: **Dec. 11, 1998**

Related U.S. Application Data

[62] Division of application No. 29/067,531, Mar. 6, 1997.

[51] **LOC (6) Cl.** **06-06**

[52] **U.S. Cl.** **D6/500; D6/366**

[58] **Field of Search** D6/334, 364, 365,
D6/366, 367, 500, 501, 502; 297/411.2,
411.36, DIG. 1

[56] References Cited

U.S. PATENT DOCUMENTS

D. 166,192	3/1952	Hamilton	D6/366
D. 194,458	1/1963	Pearson	D6/366
D. 218,159	7/1970	Harlang	D6/366
D. 227,953	7/1973	Prizlow	D6/366
D. 243,486	3/1977	Buhk	D6/366
D. 256,739	9/1980	Acton	D6/366
D. 276,766	12/1984	Truette	D6/366
D. 277,443	2/1985	Murry	D6/366
D. 306,531	3/1990	Snodgrass	D6/366
D. 318,577	7/1991	Chadwick et al.	D6/366

D. 340,589	10/1993	Chu	D6/366
D. 345,060	3/1994	Duncan	.	
D. 349,621	8/1994	Wilson	.	
D. 358,064	5/1995	Larkin	D6/366
D. 362,973	10/1995	Schultz	D6/366
D. 368,380	4/1996	Olson et al.	D6/366
D. 369,028	4/1996	Jaeger	D6/366
D. 372,595	8/1996	Schultz et al.	D6/366
D. 393,755	4/1998	Nemeth, Jr.	D6/366
D. 395,761	7/1998	Saul	.	
D. 397,557	9/1998	Feldberg	.	
D. 398,464	9/1998	Cronk	.	
D. 399,664	10/1998	Goodworth et al.	.	

Primary Examiner—Gary D. Watson
Attorney, Agent, or Firm—Andrus, Scales, Starke & Sawall

[57] CLAIM

The ornamental design for a chair, as shown and described.

DESCRIPTION

FIG. 1 is an isometric view of a chair incorporating our new design;

FIG. 2 is a top plan view thereof;

FIG. 3 is a bottom plan view thereof;

FIG. 4 is a front elevation view thereof;

FIG. 5 is a rear elevation view thereof;

FIG. 6 is a right side elevation view thereof; and,

FIG. 7 is a left side elevation view thereof.

The broken lines shown at the bottom edge of the chair seat represent the boundary and form no part of the claimed design. All other broken lines are for illustrative purposes only and form no part of the claimed design.

1 Claim, 4 Drawing Sheets

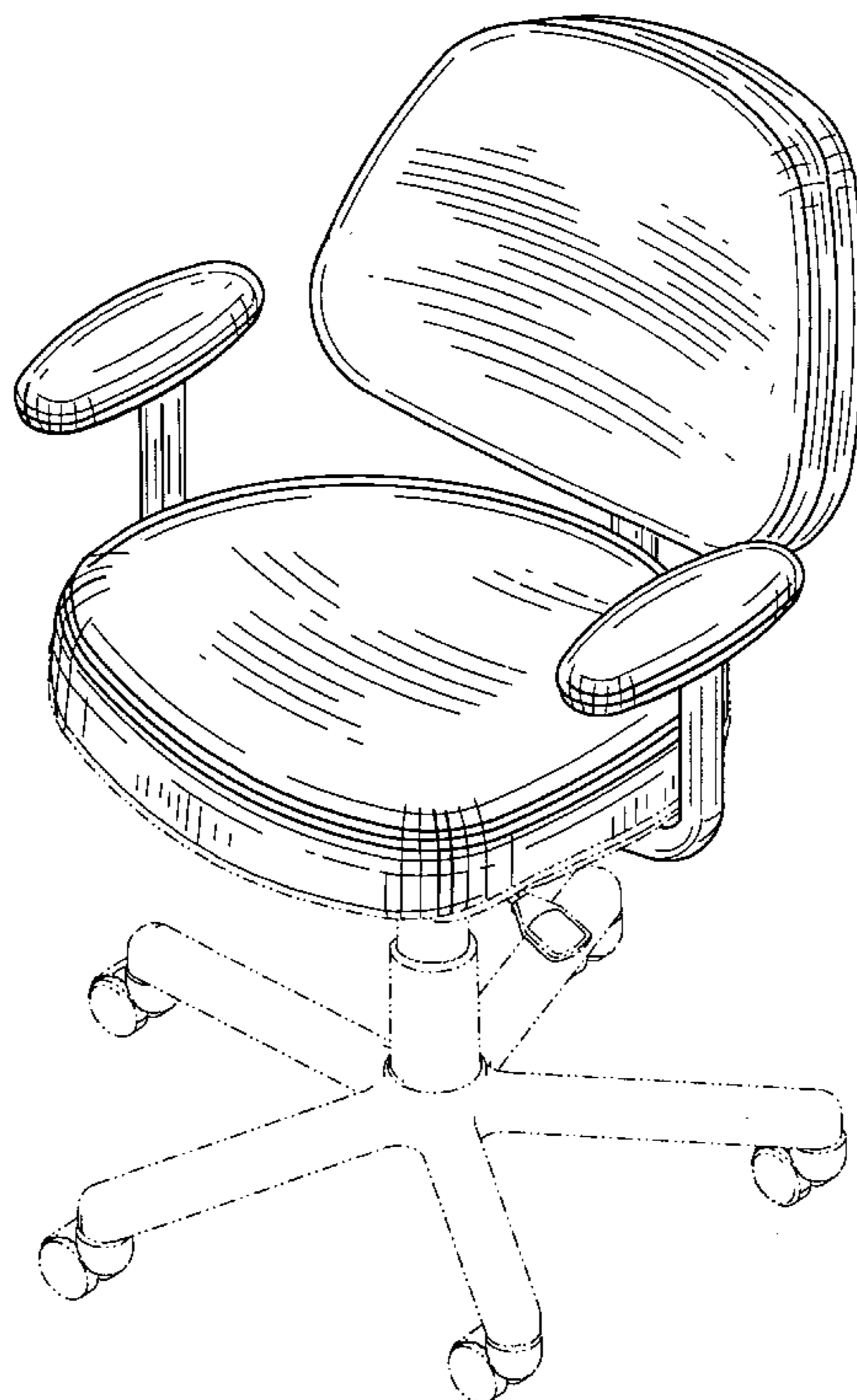


FIG. 1

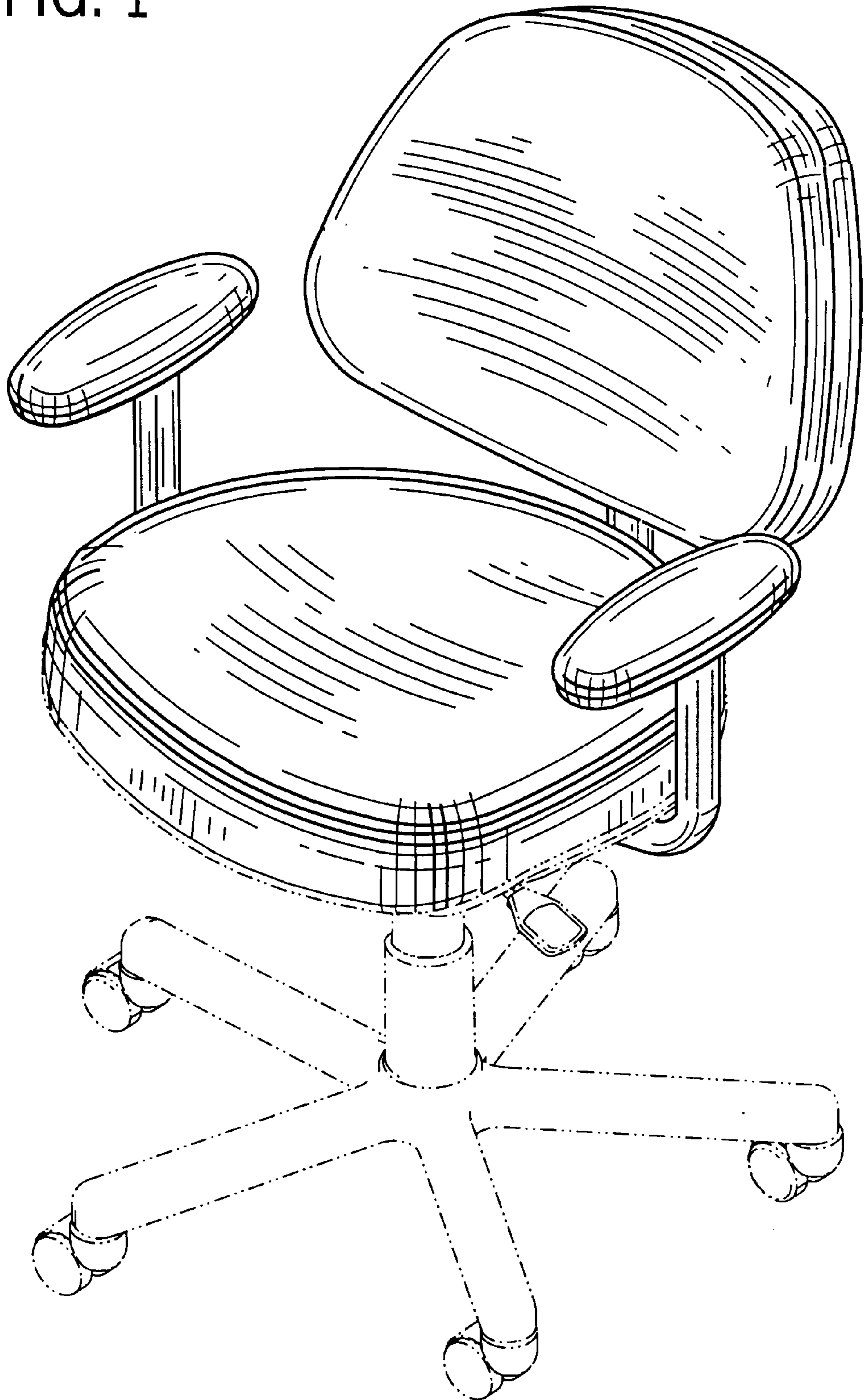


FIG. 2

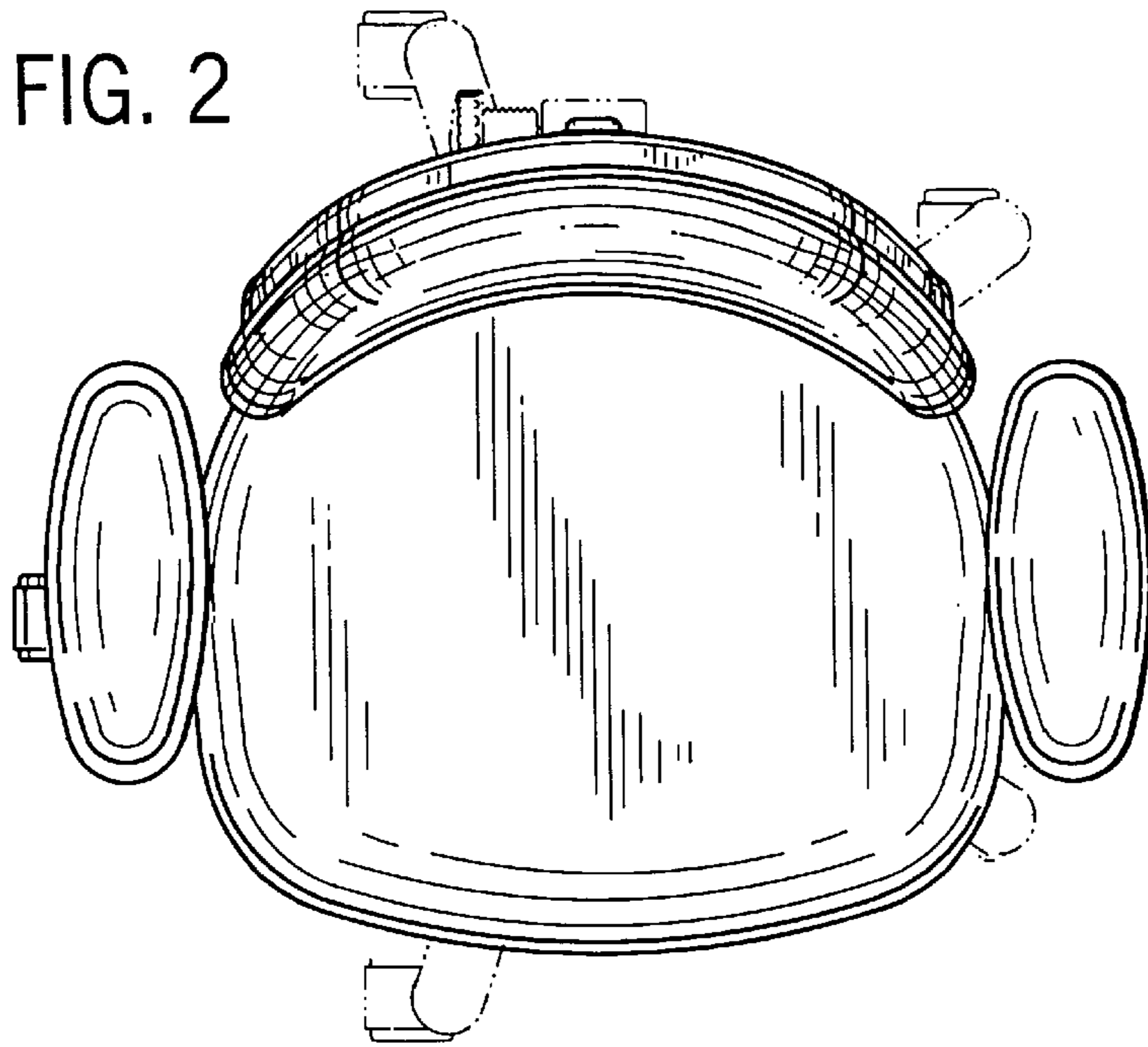


FIG. 3

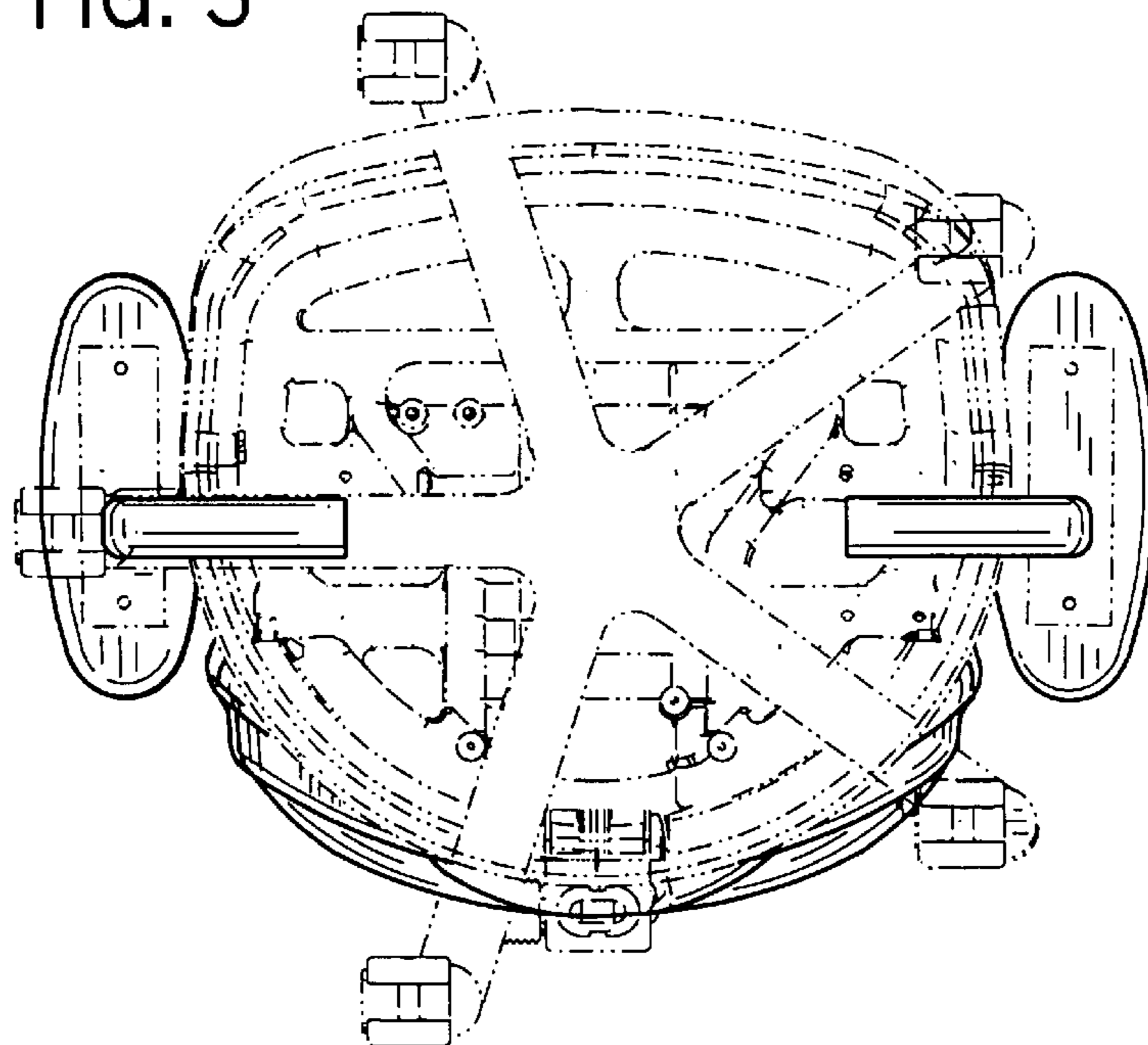


FIG. 5

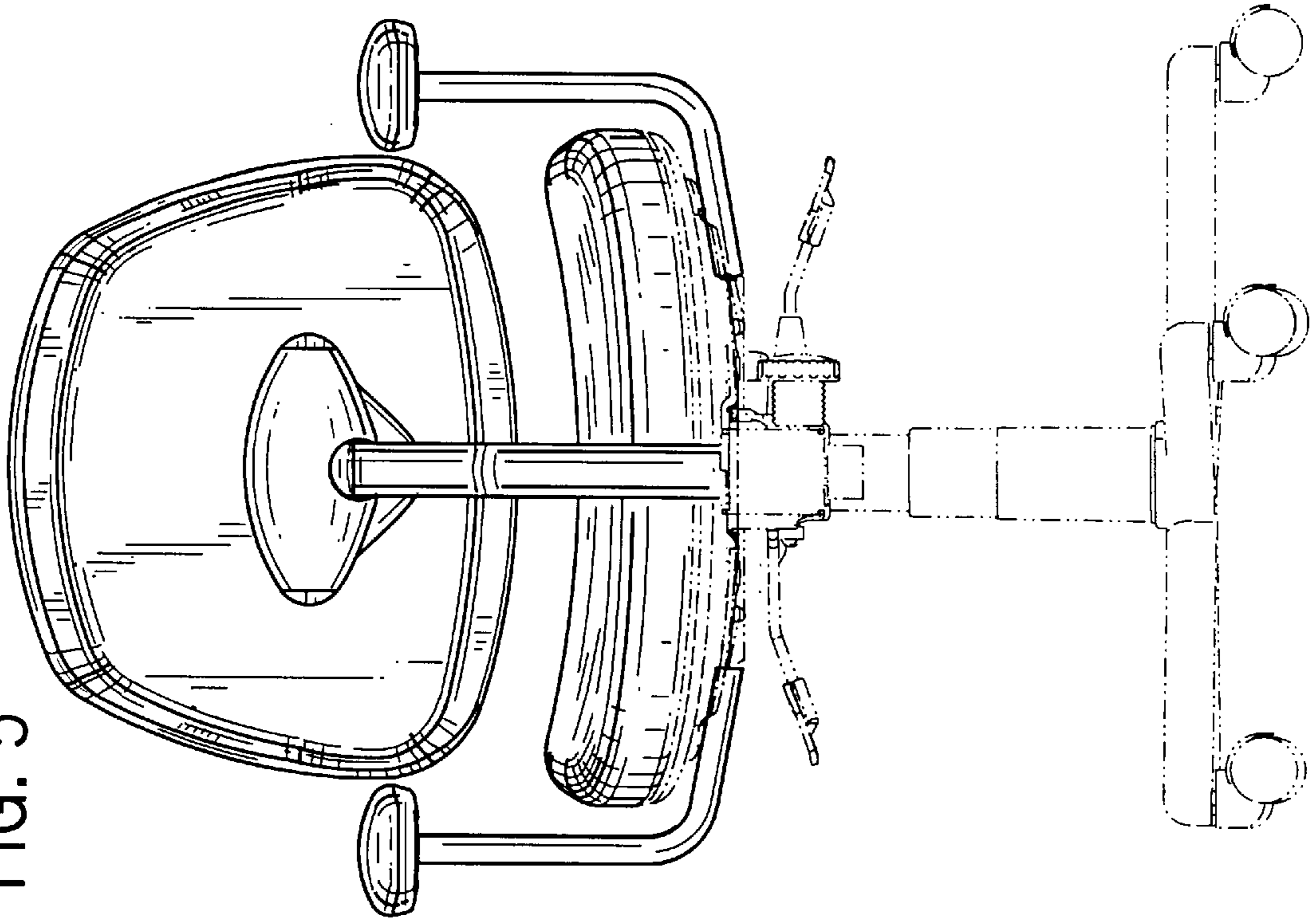


FIG. 4

