



US00D416405S

United States Patent [19]

Toesen

[11] **Patent Number: Des. 416,405**

[45] **Date of Patent: ** Nov. 16, 1999**

[54] **CAR CARE ORGANIZER TRAY**

[75] Inventor: **Joseph M. Toesen**, Munster, Ind.

[73] Assignee: **Thosen Tractor & Equipment Co., Inc.**, Lynwood, Ill.

[**] Term: **14 Years**

[21] Appl. No.: **29/094,477**

[22] Filed: **Oct. 2, 1998**

Related U.S. Application Data

[62] Division of application No. 29/060,281, Sep. 24, 1996, Pat. No. Des. 400,373.

[51] **LOC (6) Cl.** **06-04**

[52] **U.S. Cl.** **D6/469**

[58] **Field of Search** D12/425-426; D6/467-469, 473-476; D15/140; D8/71; 211/13, 14, 70.6, 69; 206/349, 372; D24/227, 229, 230; D28/61, 73, 82

[56] References Cited

U.S. PATENT DOCUMENTS

D. 52,853	1/1919	Morrison	D6/469 X
D. 90,663	9/1933	Kohlmetz	D6/469 X
D. 157,024	1/1950	Bacco et al.	D6/469
D. 169,077	3/1953	Mains, Jr.	D8/71
D. 179,979	4/1957	Noga	D8/71
D. 205,745	9/1966	Nannfeldt	D8/71
D. 208,469	9/1967	Parker	D24/229 X
D. 237,125	10/1975	Moss	D6/469
D. 258,030	1/1981	Davis	D6/469
D. 282,579	2/1986	Juergens	D24/229
D. 294,209	2/1988	Havelka	D6/467

D. 295,704	5/1988	Despres	D6/469
D. 323,245	1/1992	Hobson	D6/467 X
D. 323,441	1/1992	Waldeck	D6/469
D. 330,650	11/1992	Staubitz et al.	D6/467
D. 336,181	6/1993	Muniz	D6/467
D. 336,802	6/1993	Eidsmoe et al.	D6/469
D. 343,106	1/1994	Ekland et al.	D8/71
D. 360,321	7/1995	Wang et al.	D6/469
D. 363,365	10/1995	Beaudoin et al.	D28/73
D. 992,396	5/1911	Weber	D6/469

Primary Examiner—Doris V. Coles
Assistant Examiner—Stacia Sinuik
Attorney, Agent, or Firm—Welsh & Katz, Ltd.; Thomas W. Tolpin

[57] CLAIM

The ornamental design for a car care organizer tray, as shown and described.

DESCRIPTION

FIG. 1 is a perspective view of a car care organizer tray, showing my new design;
FIG. 2 is a left side view thereof, the right side being a mirror image thereof;
FIG. 3 is a top view thereof, the bottom of the tray being solid and flat and the back of the tray being plain and unornamented;
FIG. 4 is a perspective view of a second embodiment of a car care organizer tray, showing my new design;
FIG. 5 is a left side view thereof, the right side being a mirror image thereof; and,
FIG. 6 is a top view thereof, the bottom of the tray being solid and flat and the back of the tray being plain and unornamented.

1 Claim, 2 Drawing Sheets

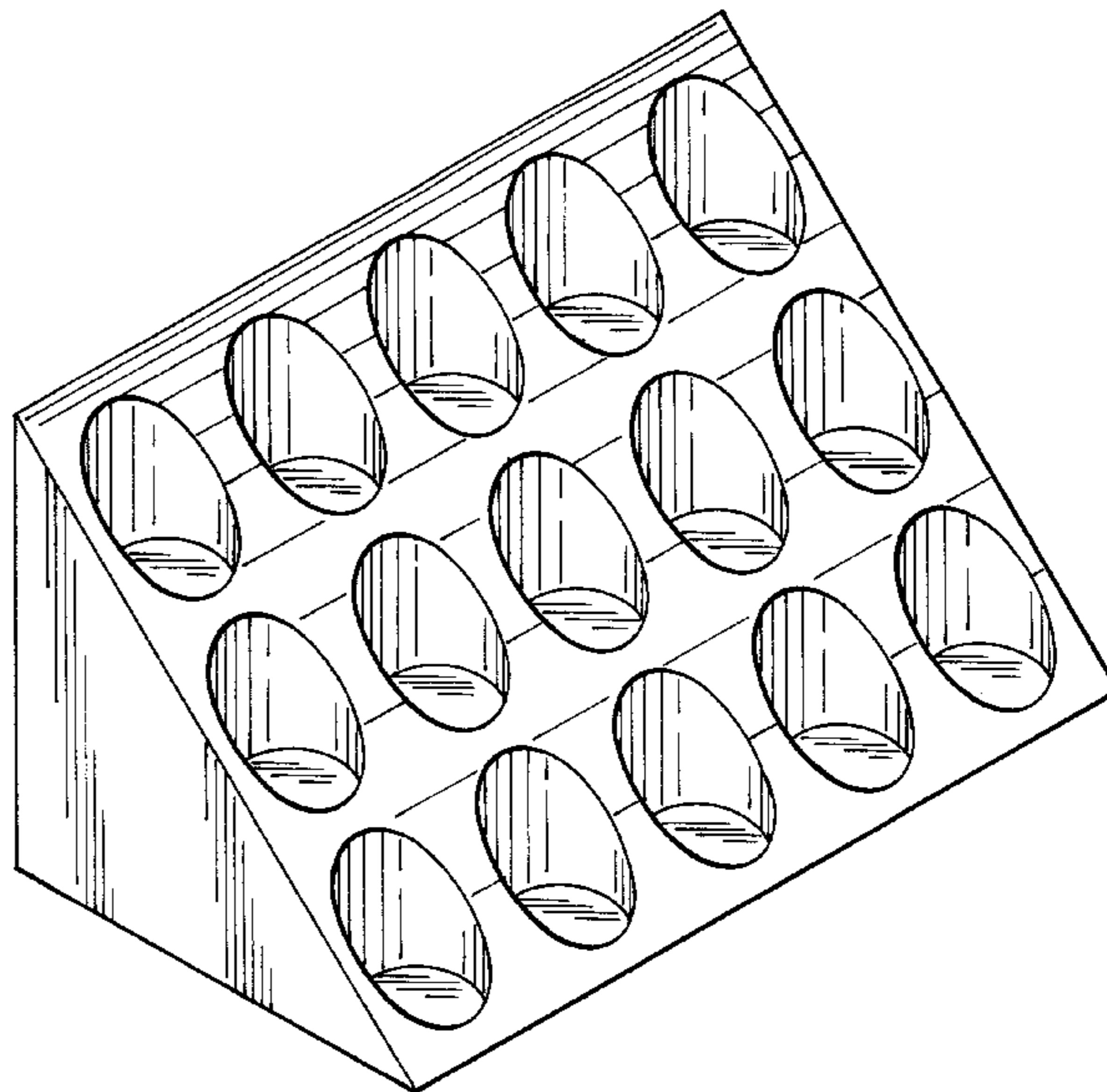
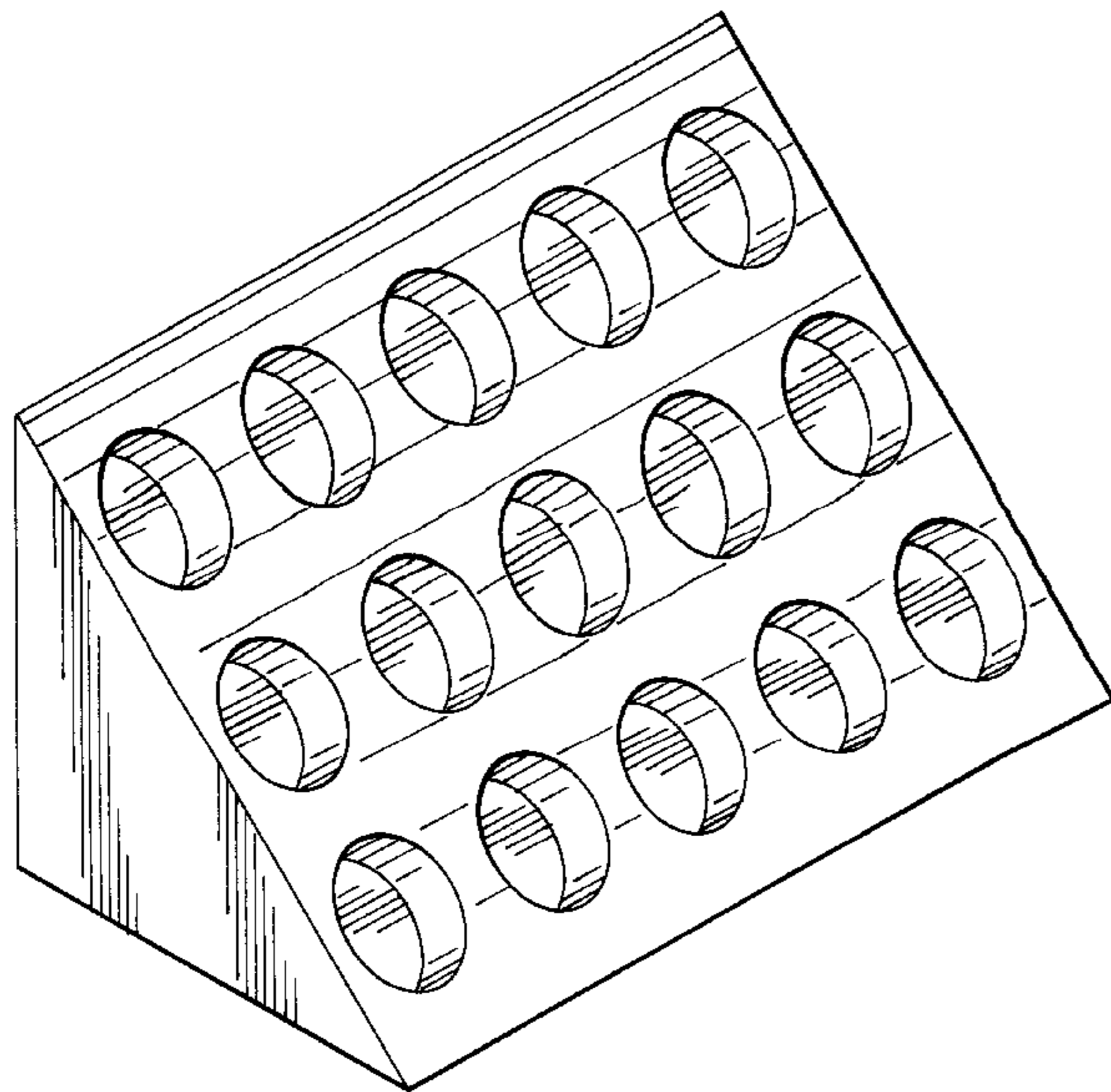


FIG. 1

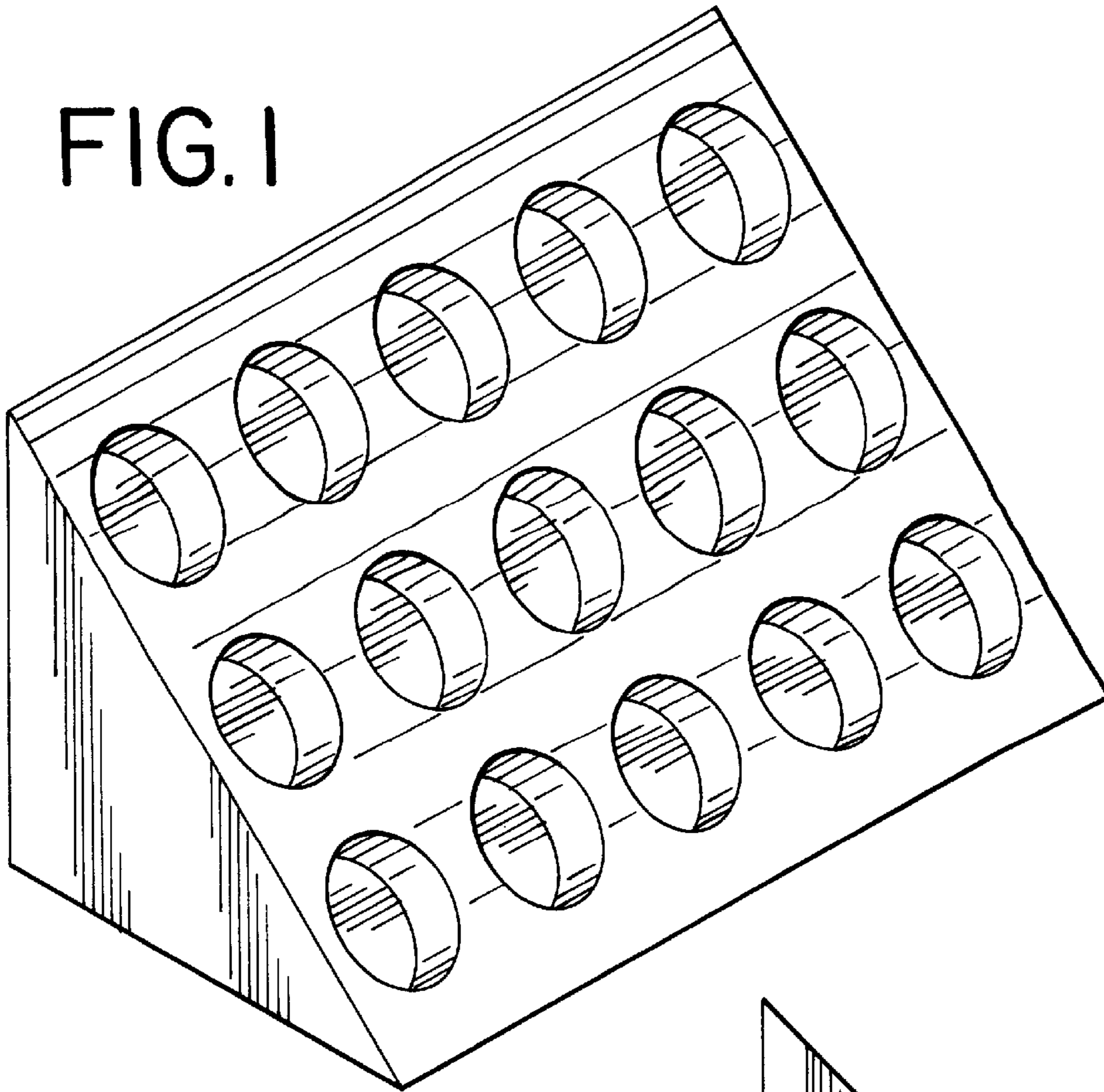


FIG. 2

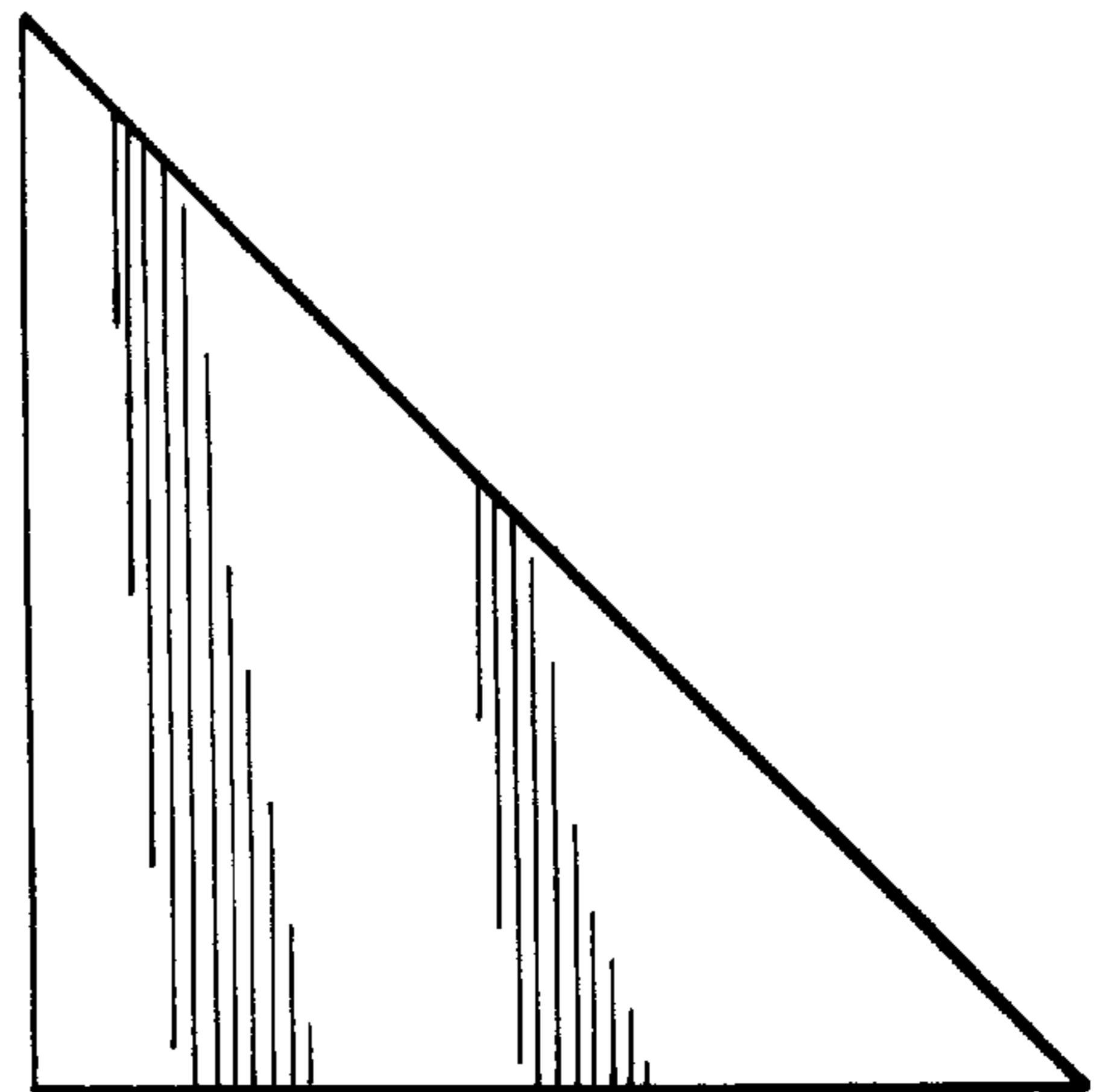


FIG. 3

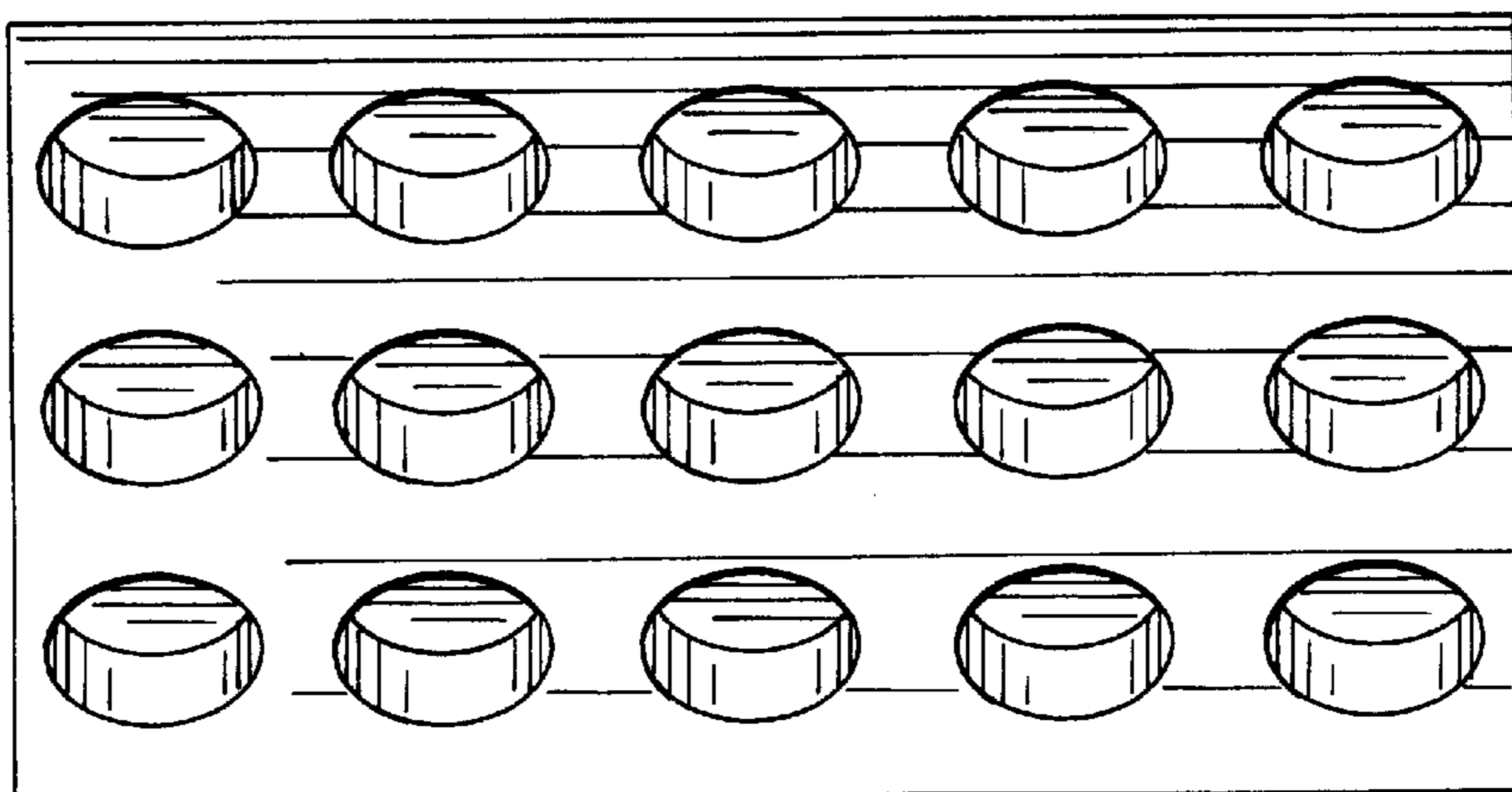


FIG.4

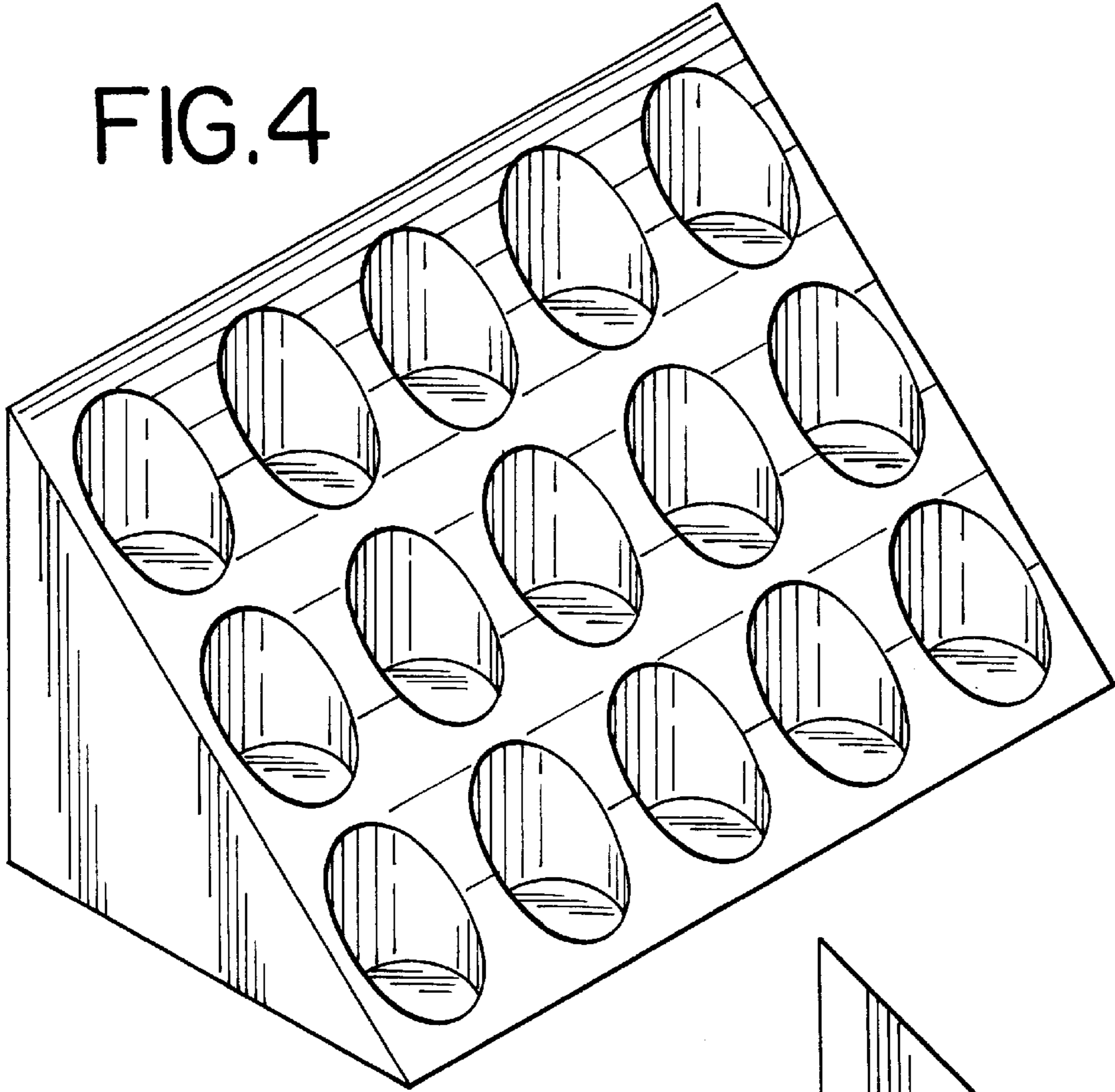


FIG.5

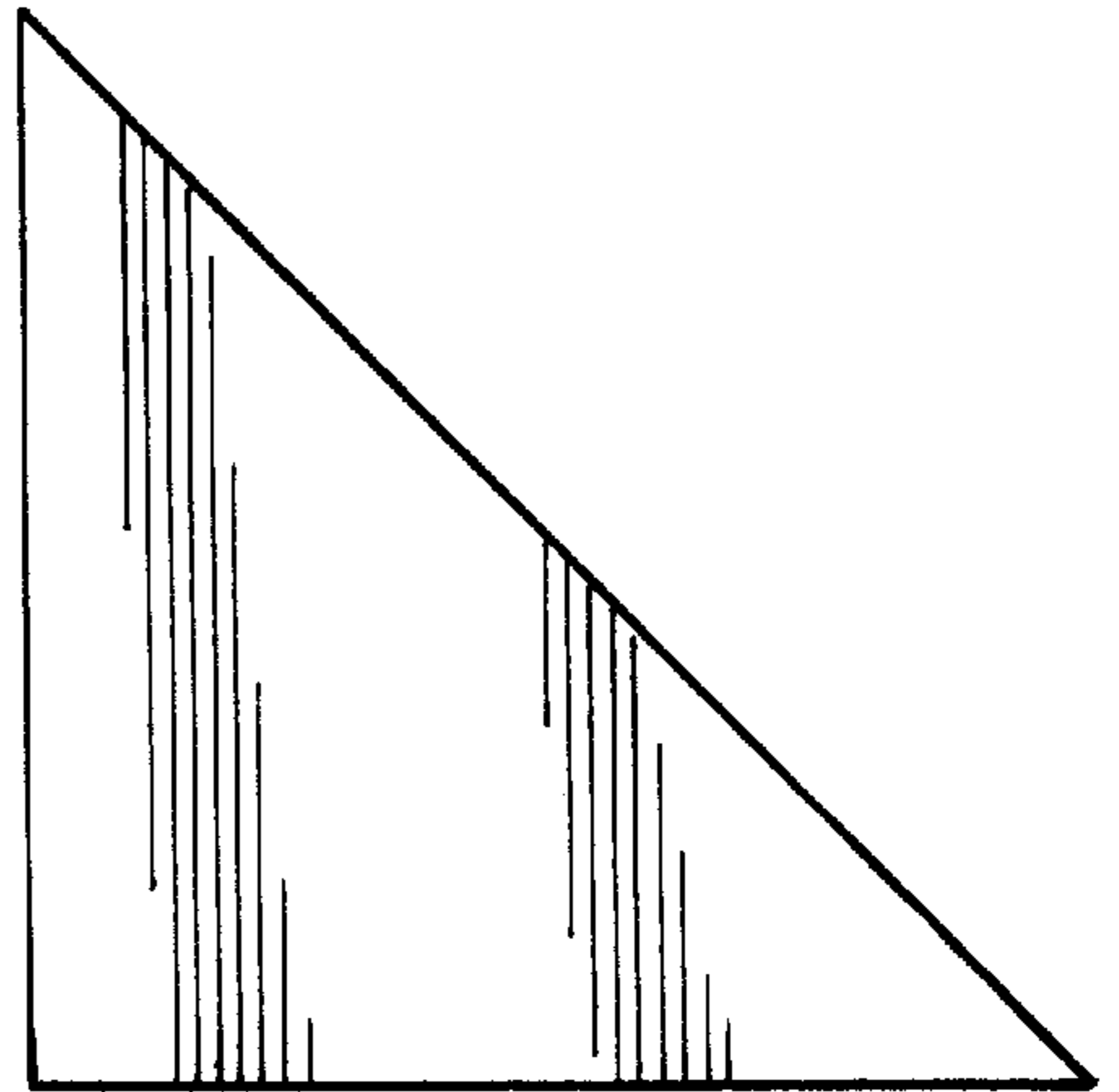


FIG.6

