



US00D416401S

**United States Patent** [19]  
**Taylor**

[11] **Patent Number: Des. 416,401**

[45] **Date of Patent: \*\* Nov. 16, 1999**

[54] **GROUND INSERTED POLE SUPPORT**

2,209,504 7/1940 Beiter ..... 248/530  
2,441,109 5/1948 Carlson ..... 248/156 X  
5,135,192 8/1992 Winkler ..... 248/156

[76] Inventor: **Mark Lamar Taylor**, 1237 E. Encinas Ave., Gilbert, Ariz. 85234

[\*\*] Term: **14 Years**

*Primary Examiner*—Carmen H. Vales-Lado

[21] Appl. No.: **29/079,842**

[57] **CLAIM**

[22] Filed: **Nov. 24, 1997**

The ornamental design for a ground inserted pole support, as shown.

[51] **LOC (6) Cl.** ..... **06-06**

**DESCRIPTION**

[52] **U.S. Cl.** ..... **D6/417**

[58] **Field of Search** ..... D6/417; 248/156,  
248/530, 516, 545, 533; 211/62; 135/98,  
99, 118

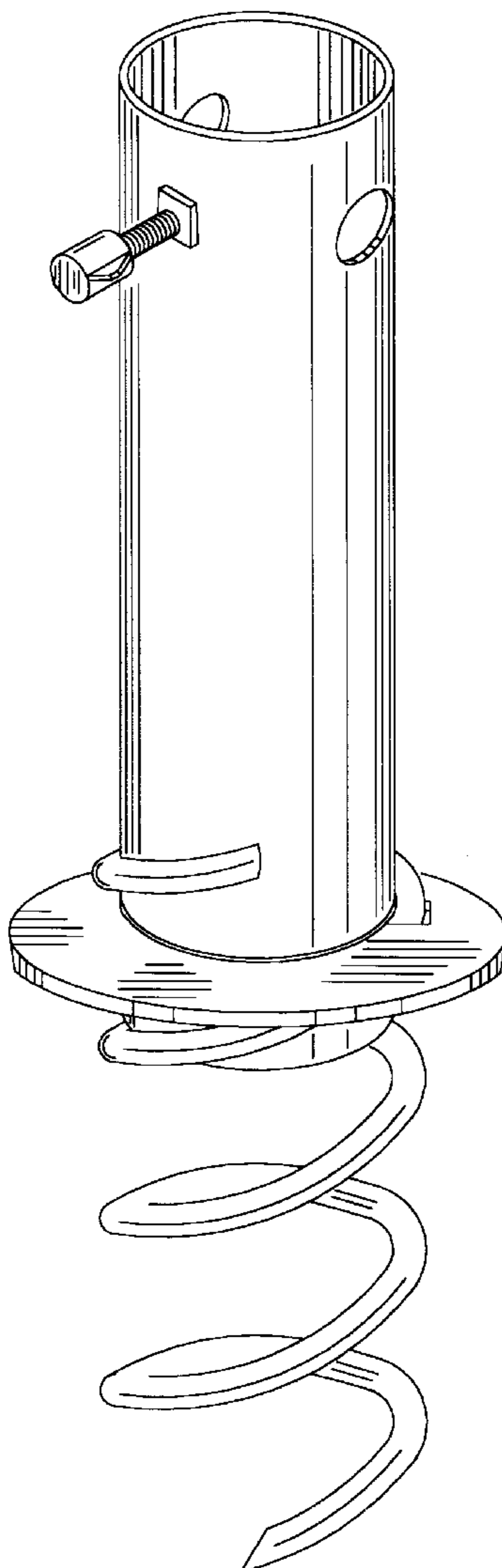
FIG. 1 is a perspective view of a ground inserted pole support showing my new design;  
FIG. 2 is a right side elevational view, the left side being a mirror image thereof;  
FIG. 3 is a rear elevational view thereof;  
FIG. 4 is a front elevational view thereof;  
FIG. 5 is a top plan view thereof; and,  
FIG. 6 is a bottom plan view thereof.

[56] **References Cited**

**U.S. PATENT DOCUMENTS**

D. 347,948 6/1994 McKnight ..... D6/417  
D. 363,616 10/1995 Allen ..... D6/417  
D. 364,286 11/1995 Loadholtz ..... D6/417

**1 Claim, 4 Drawing Sheets**



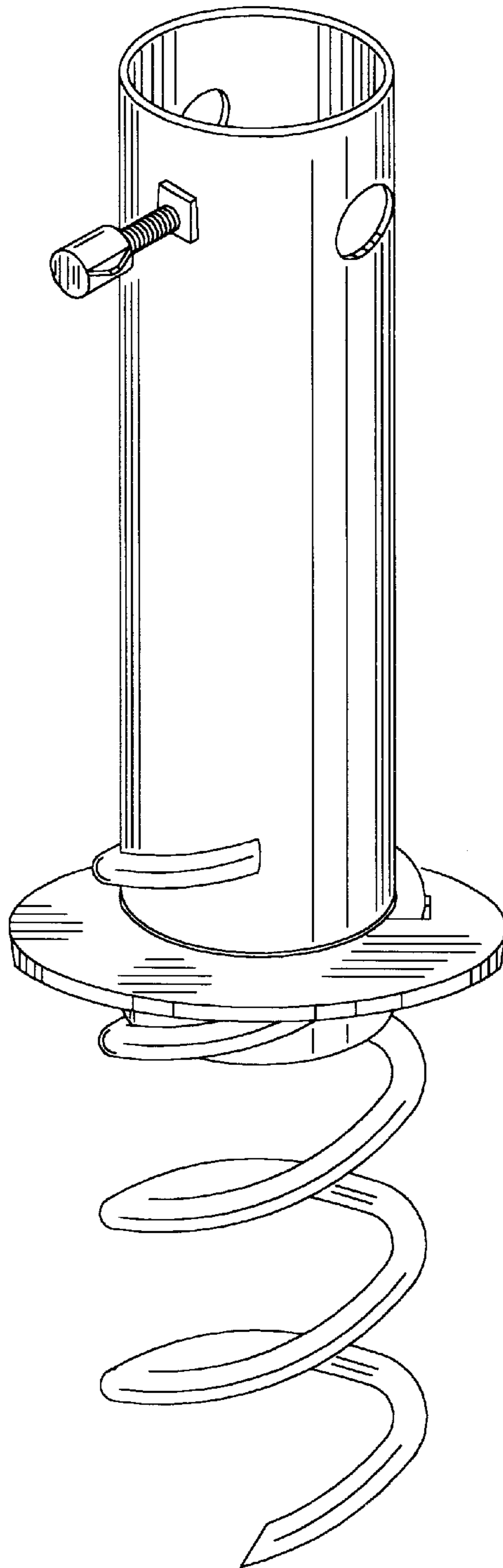


FIG 1

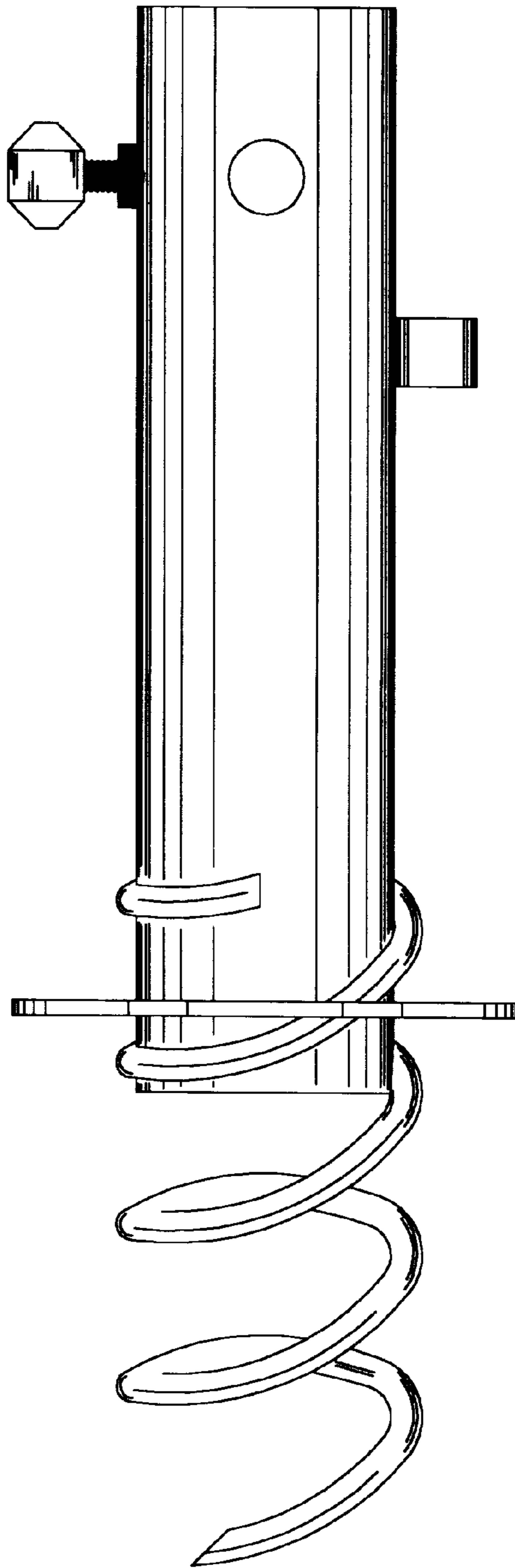


FIG 2

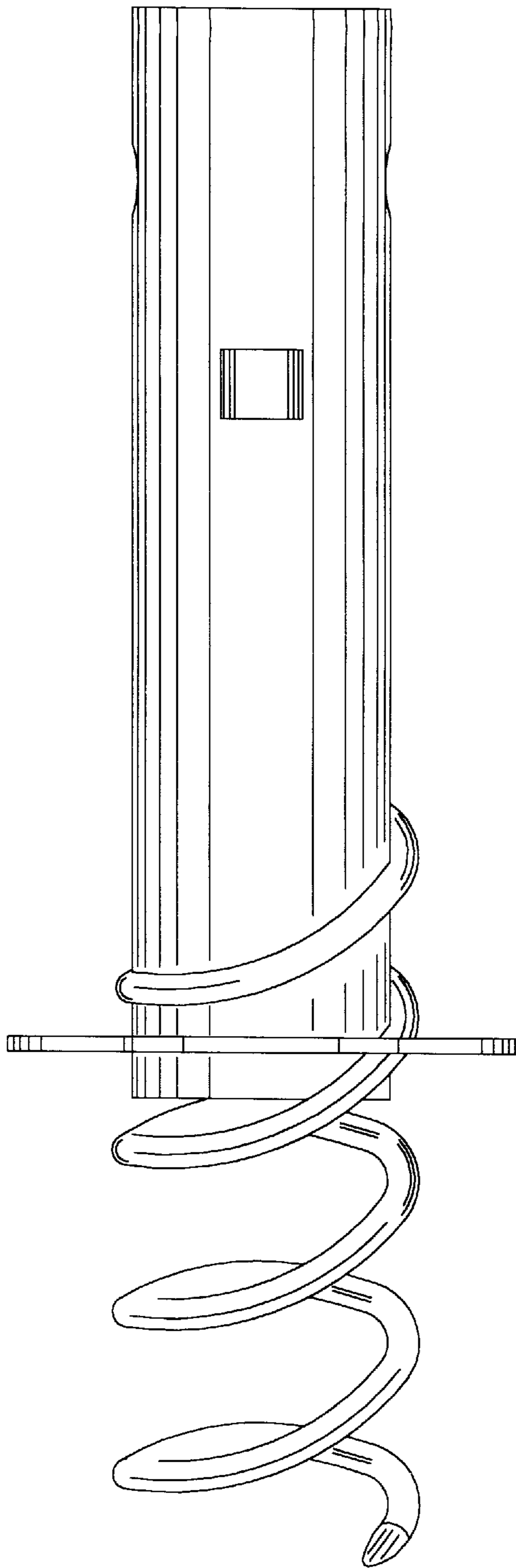


FIG 3

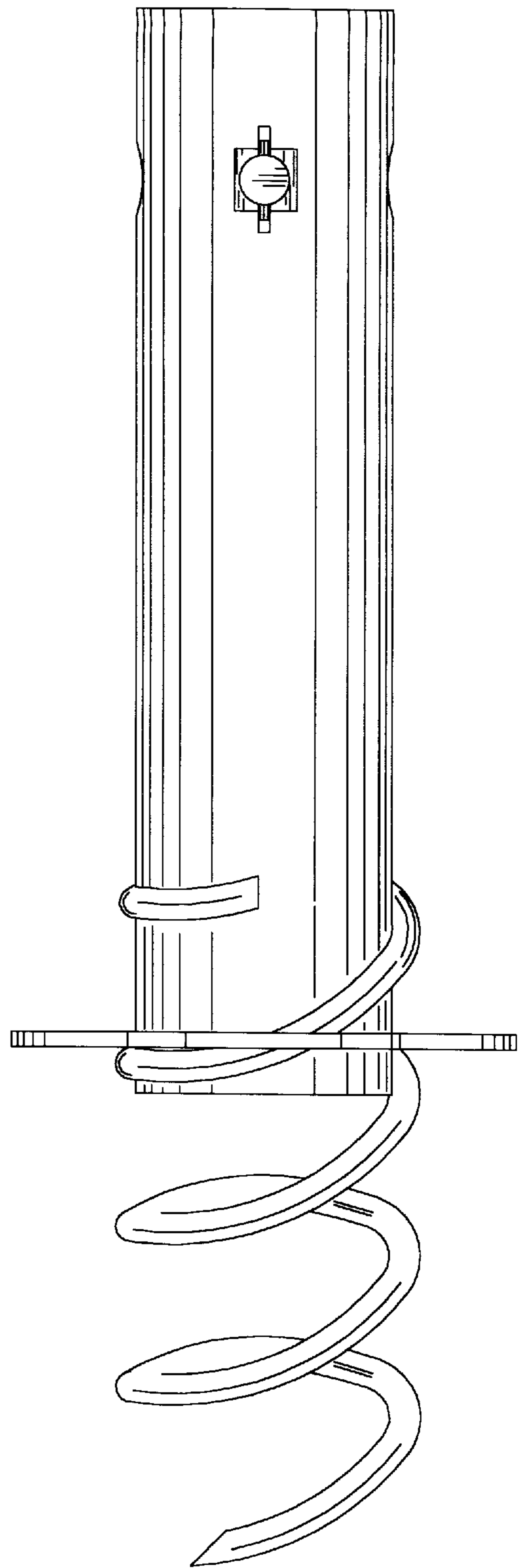


FIG 4

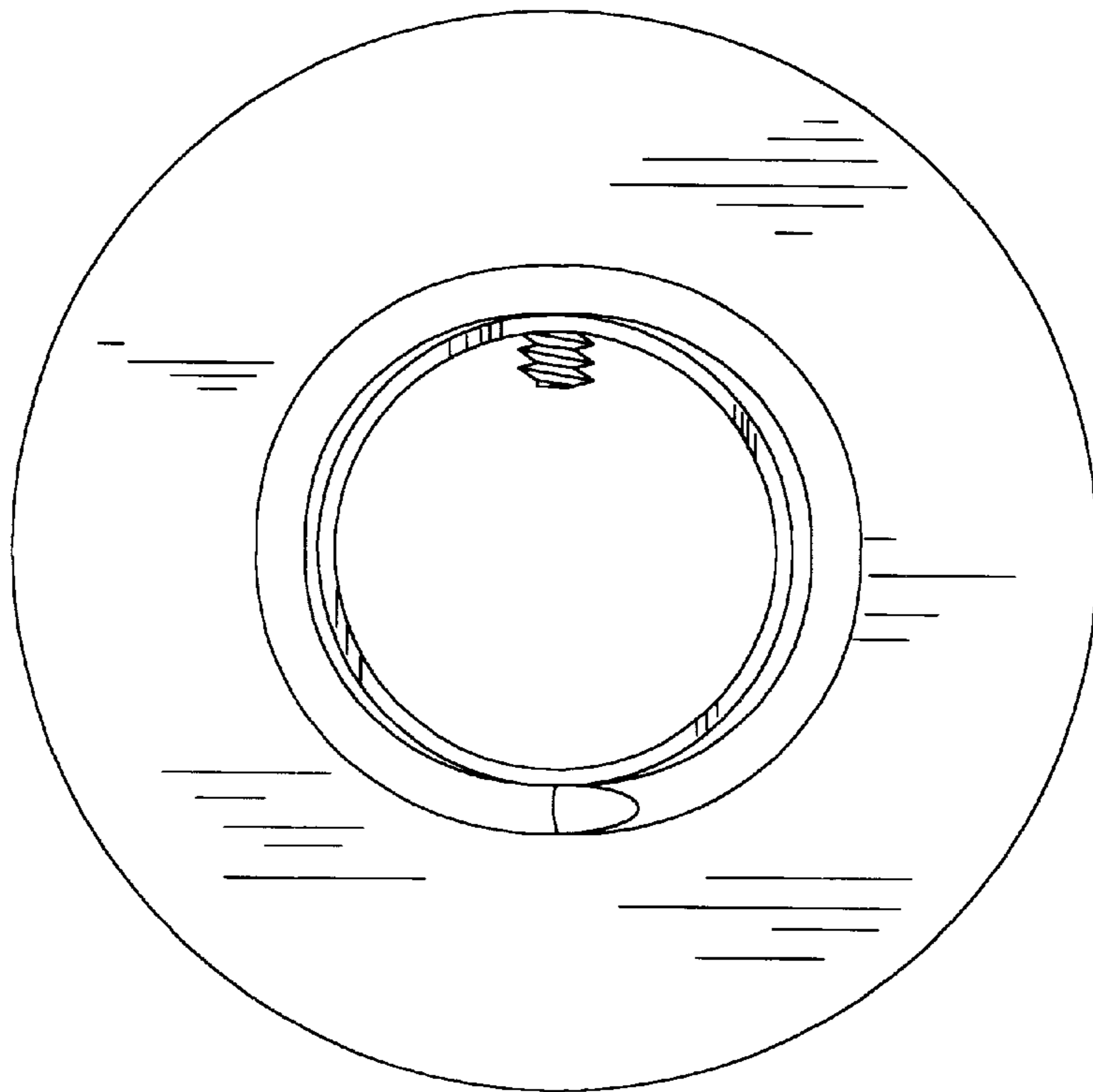


FIG 6

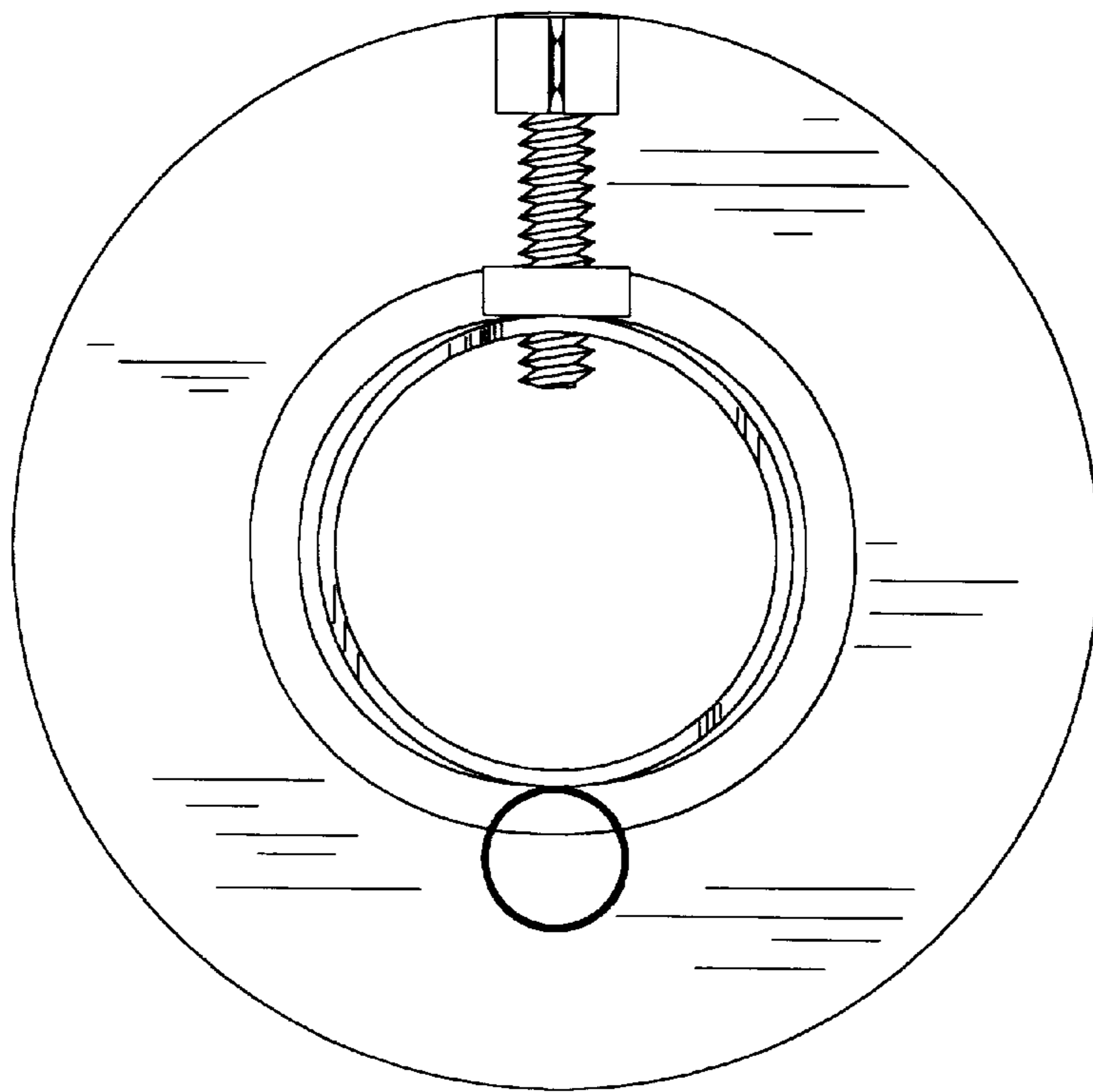


FIG 5