



US00D416399S

**United States Patent** [19]  
**Christa et al.**

[11] **Patent Number: Des. 416,399**  
[45] **Date of Patent: \*\* Nov. 16, 1999**

[54] **SEAT**

[75] Inventors: **Carol W. Christa**, Duluth, Ga.;  
**Rodney D. England**, Tazewell, Tenn.

[73] Assignee: **England/Corsair, Inc.**, New Tazewell,  
Tenn.

[\*\*] Term: **14 Years**

[21] Appl. No.: **29/093,978**

[22] Filed: **Sep. 23, 1998**

[51] **LOC (6) Cl.** ..... **06-01**

[52] **U.S. Cl.** ..... **D6/381**

[58] **Field of Search** ..... D6/334, 335, 364,  
D6/371, 381, 500, 501, 502; 297/232

[56] **References Cited**

**U.S. PATENT DOCUMENTS**

D. 106,114	9/1937	Hines et al.	.....	D6/381
D. 401,078	11/1998	Relling	.....	D6/381
D. 401,431	11/1998	Natuzzi et al.	.....	D6/381

*Primary Examiner*—Gary D. Watson  
*Attorney, Agent, or Firm*—Harness, Dickey & Pierce, P.L.C.

[57] **CLAIM**

The ornamental design for a seat, as shown and described.

**DESCRIPTION**

FIG. 1 is a front perspective view of a seat according to our new design;

FIG. 2 is a front elevational view of our new design;

FIG. 3 is a top plan view of the design;

FIG. 4 is a rear elevational view of the design;

FIG. 5 is an enlarged fragmented perspective view of a front corner of the design;

FIG. 6 is a side elevational view of the design, the opposite side being a mirror image thereof;

FIG. 7 is a front elevational view of a seat according to a second embodiment of our new design, the difference being primarily a matter of length; and,

FIG. 8 is a top plan view of the second embodiment of the design.

The side views of FIG. 7 are like FIG. 6 and the rear view is similar to that shown in FIG. 4, the difference being a matter of length.

The broken line showing of leg members is for illustrative purposes only and forms no part of the claimed design.

**1 Claim, 3 Drawing Sheets**

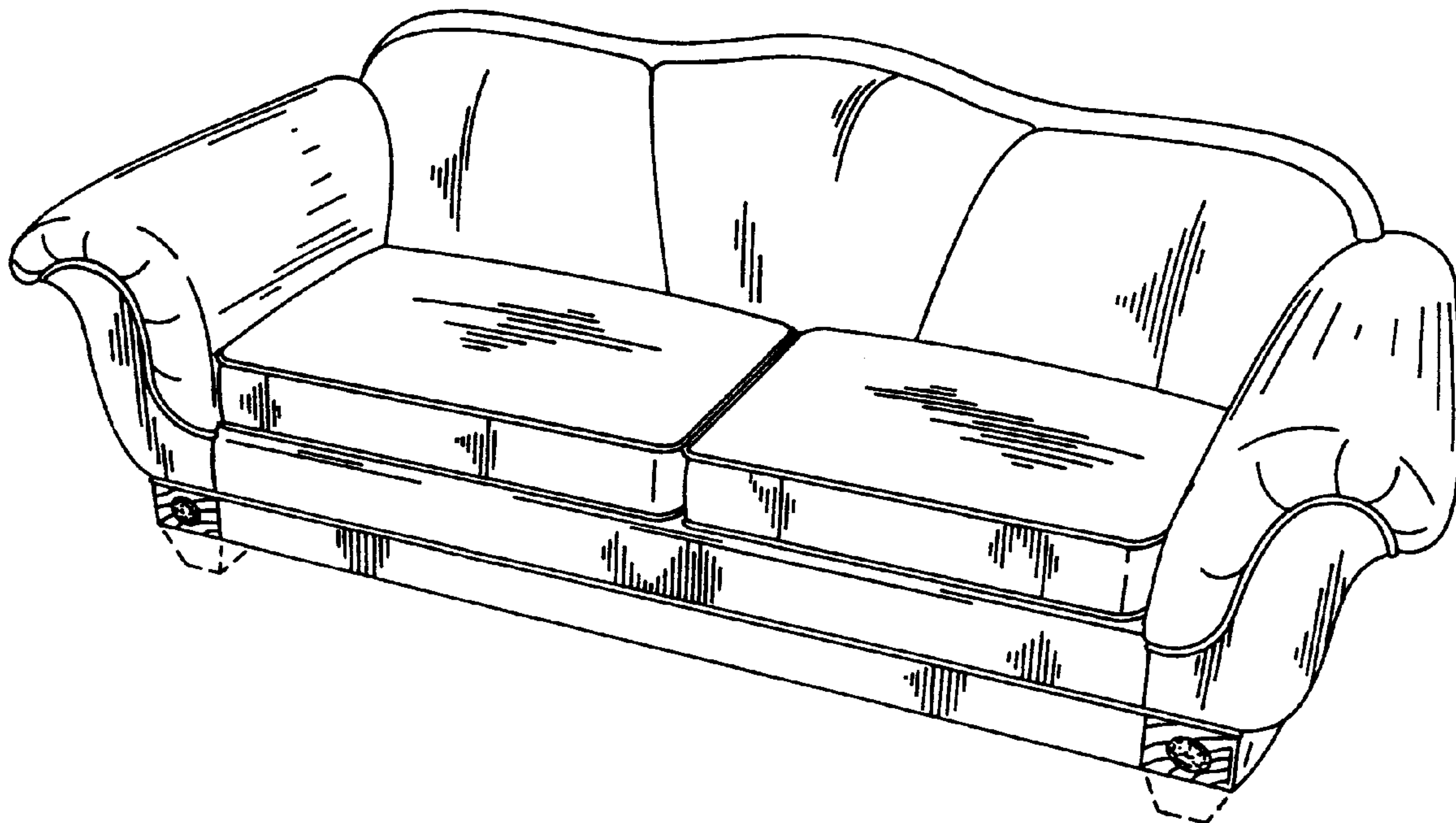


FIG 1

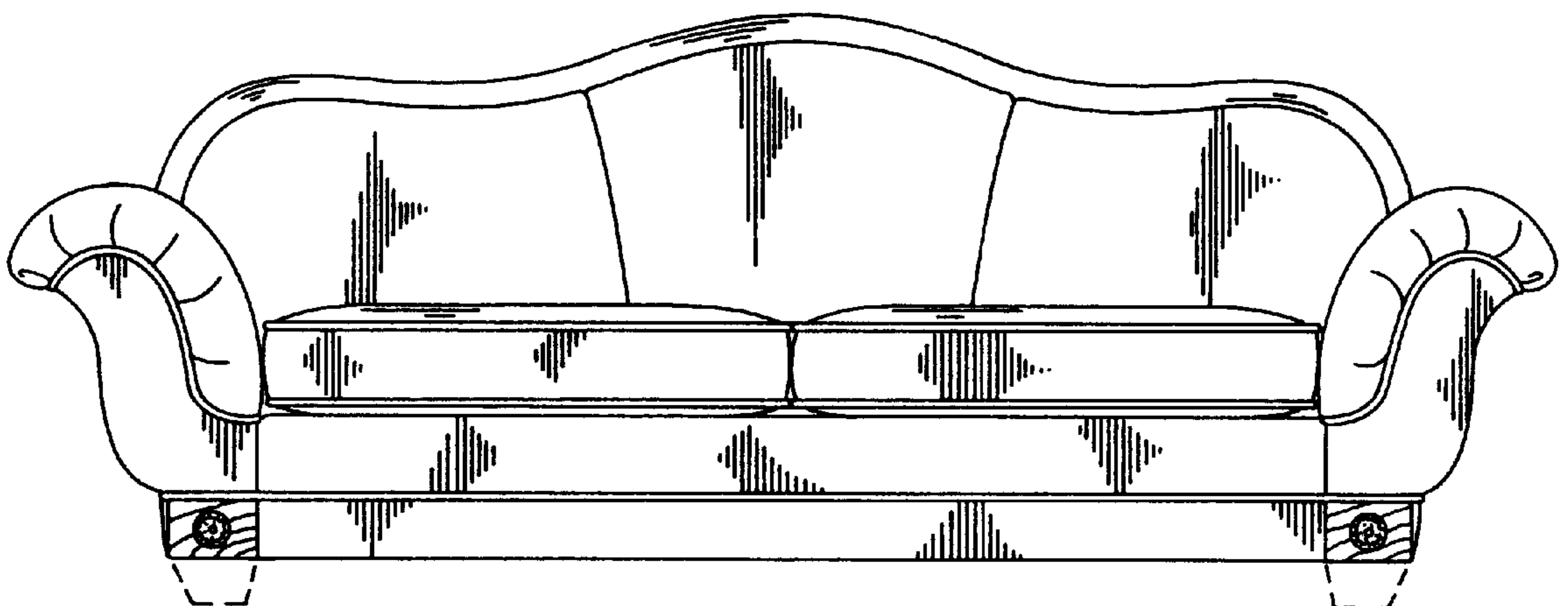
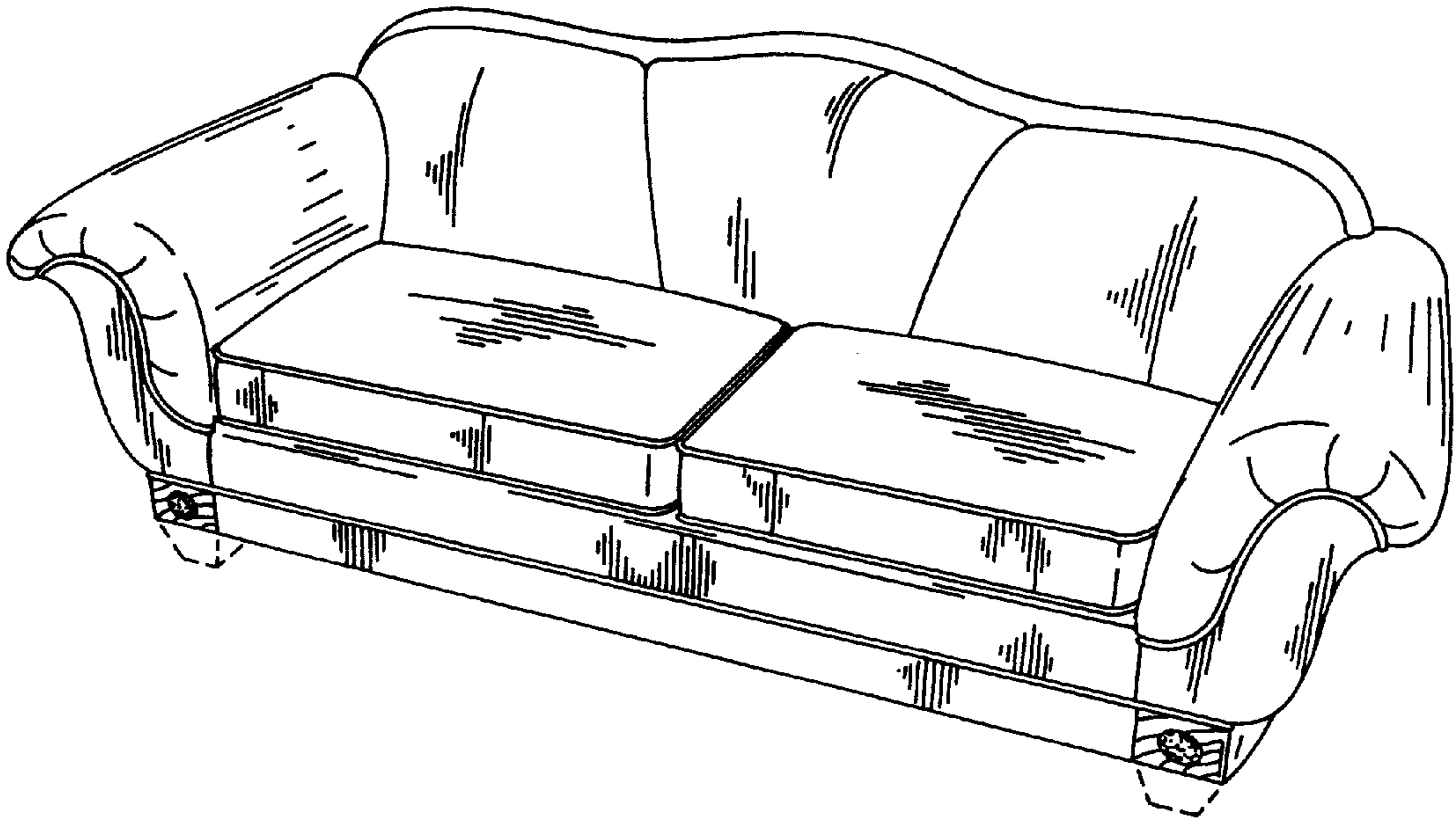


FIG 2

FIG 3

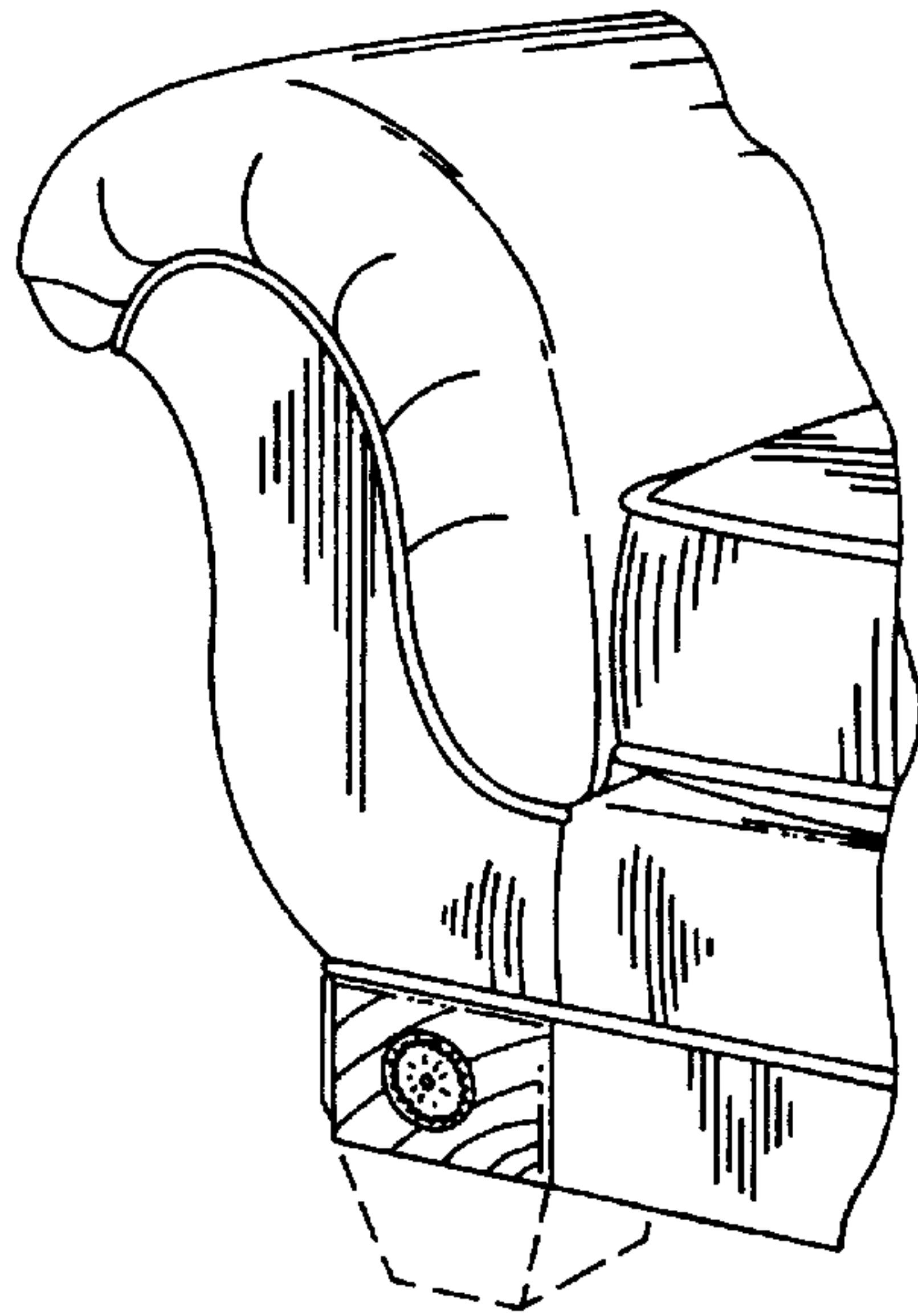
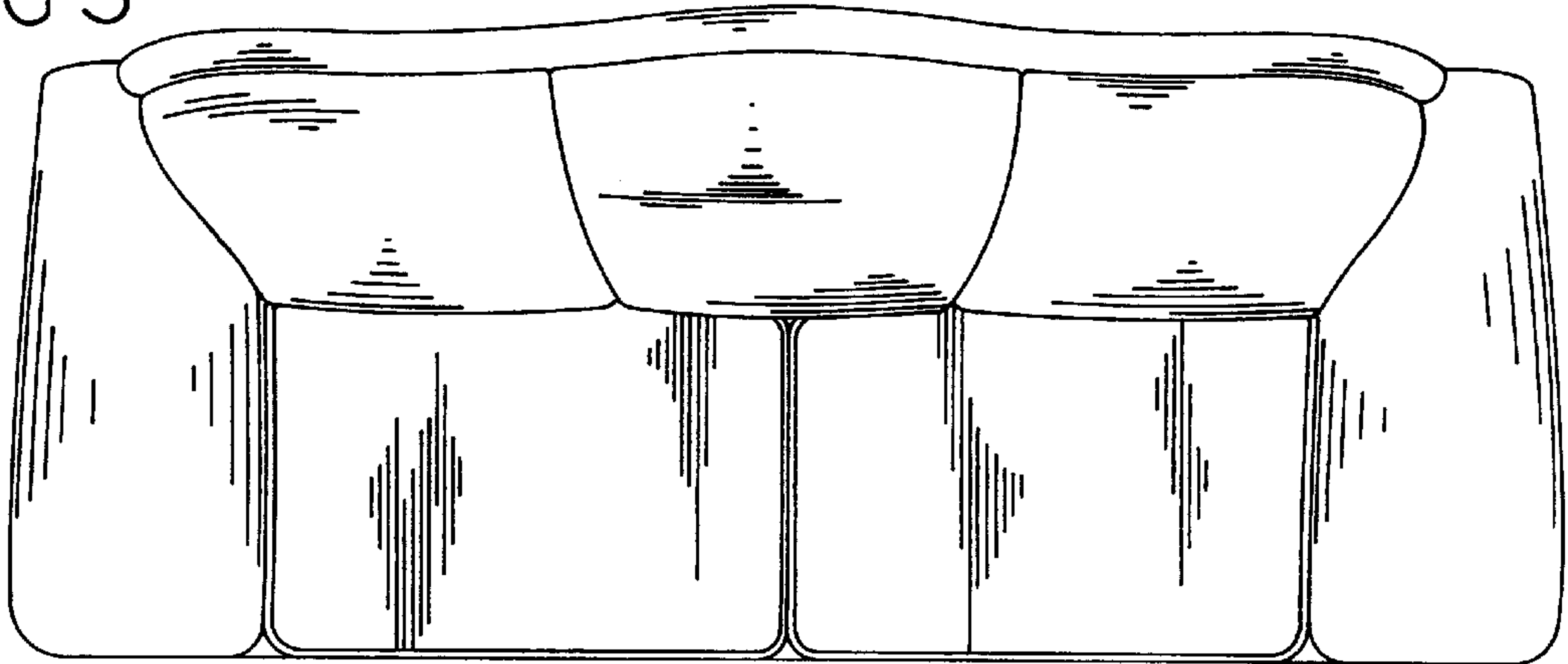


FIG 5

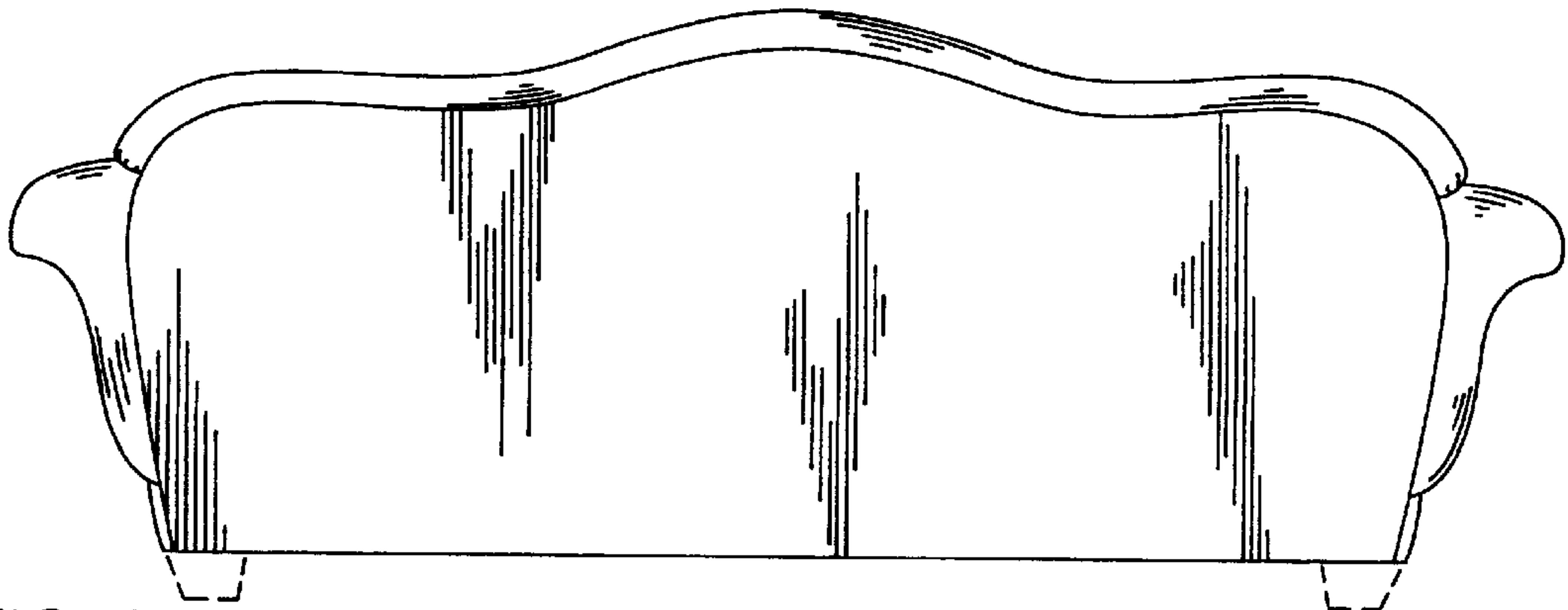


FIG 4

FIG 6

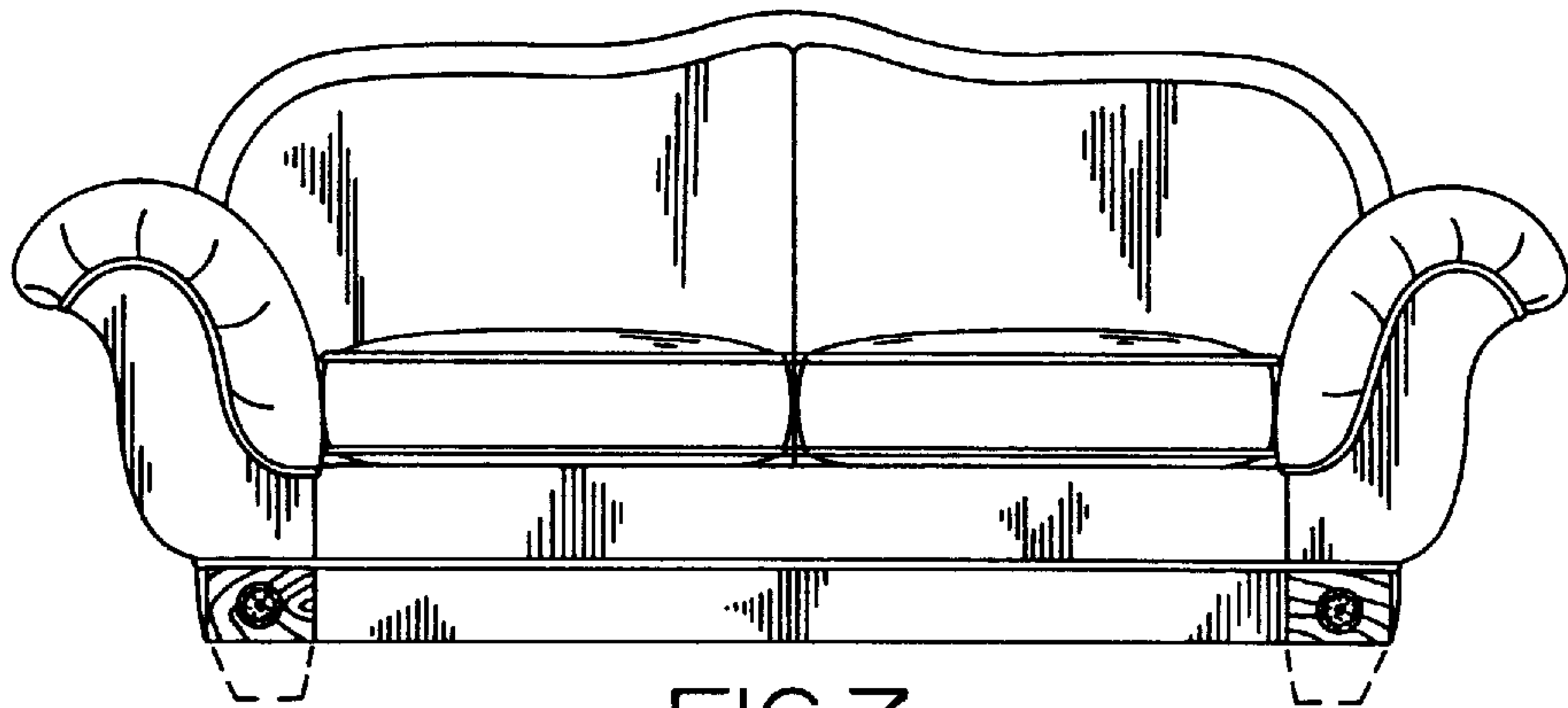
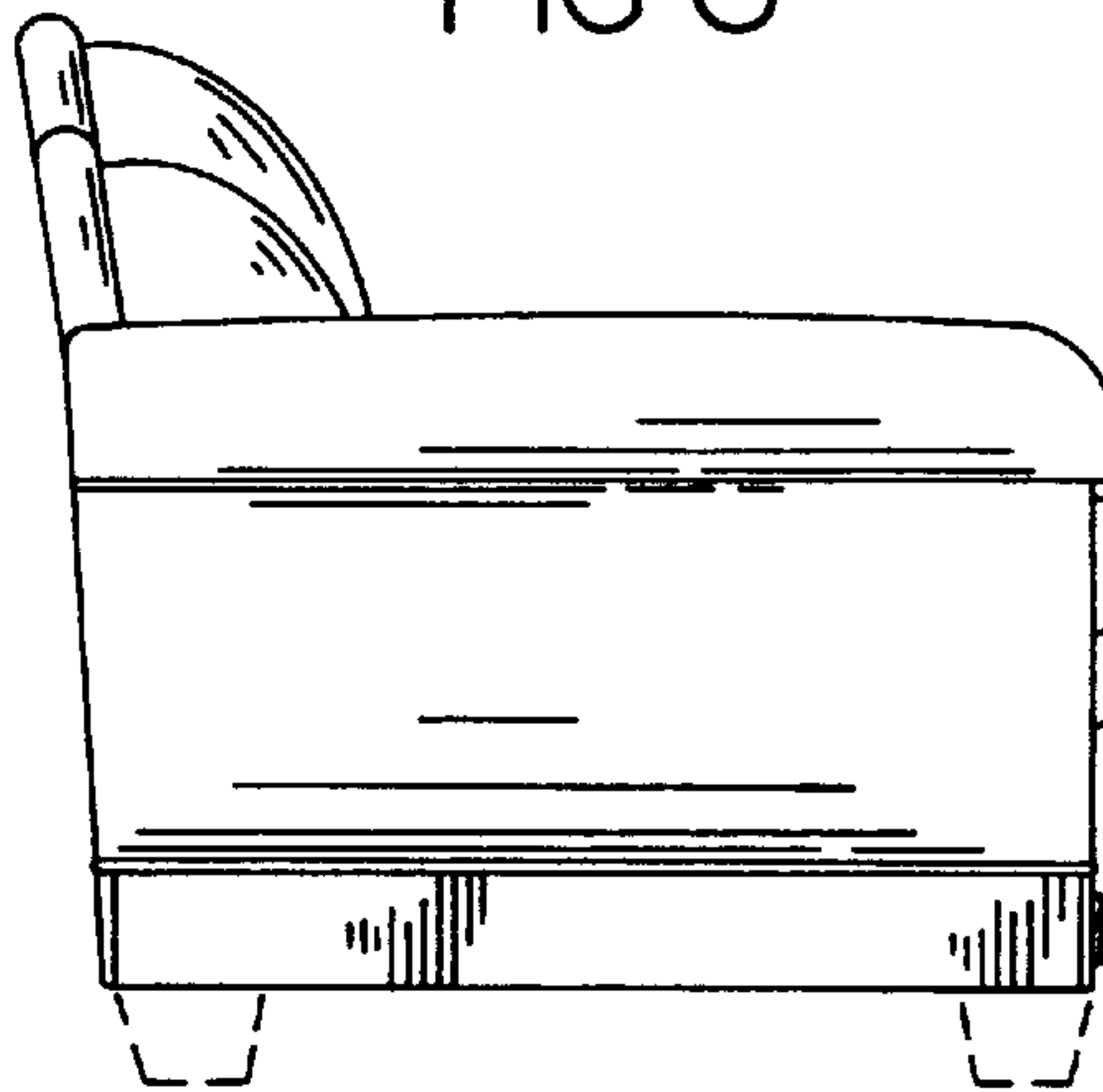


FIG 7

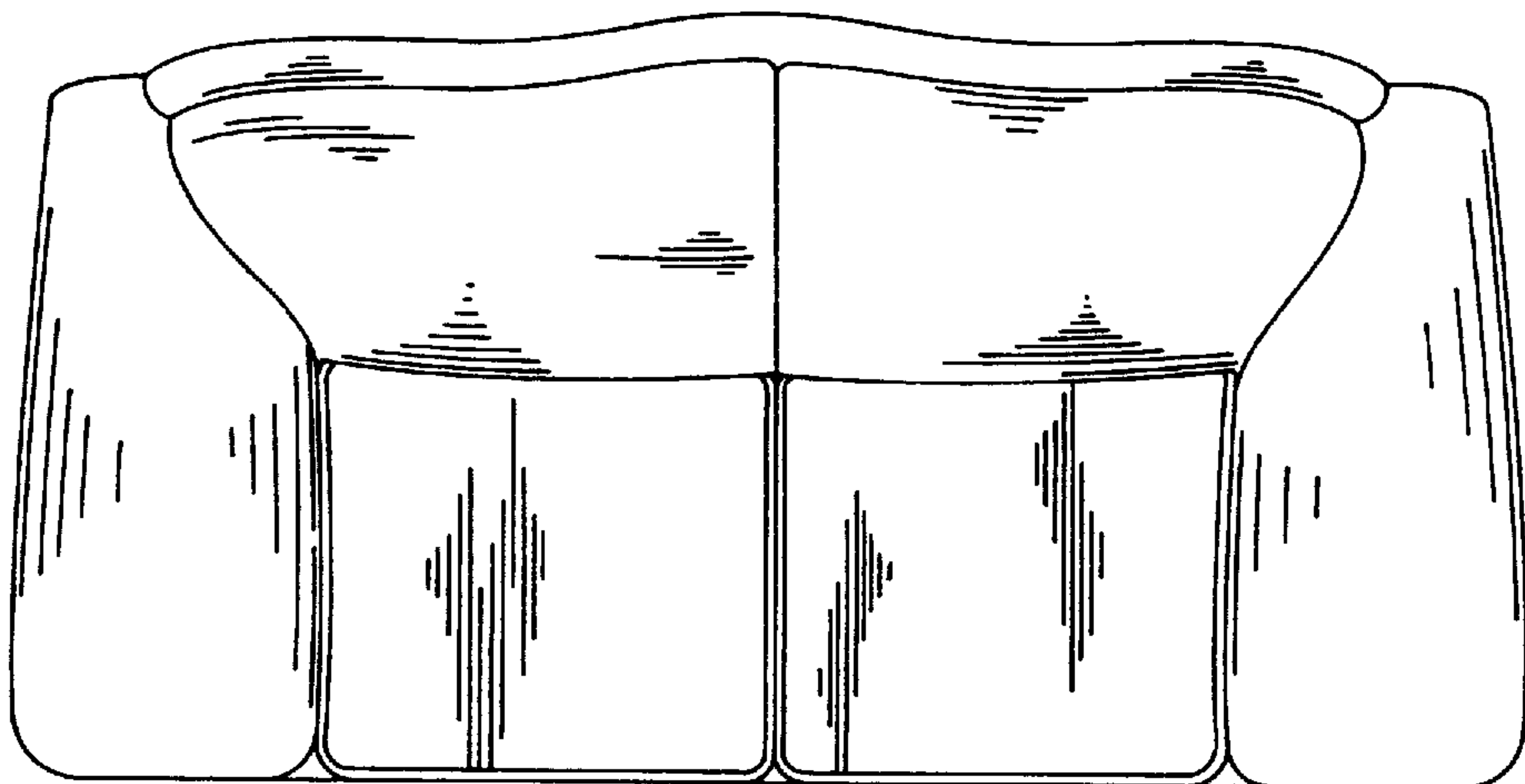


FIG 8