



US00D416389S

# United States Patent [19]

Frazier

[11] Patent Number: **Des. 416,389**

[45] Date of Patent: **\*\* Nov. 16, 1999**

[54] **LIQUID APPLICATOR WITH SLIDE RING ACTUATOR**

[76] Inventor: **Thomas G. Frazier**, c/o J. Penner Corporation, Doylestown, Pa. 18901

[\*\*] Term: **14 Years**

[21] Appl. No.: **29/096,242**

[22] Filed: **Nov. 9, 1998**

[51] **LOC (6) Cl.** ..... **04-01**

[52] **U.S. Cl.** ..... **D4/114; D24/119; D32/45**

[58] **Field of Search** ..... D4/114, 116, 127, D4/128, 137, 138; D32/40, 42, 45, 51; D9/338; D24/119; D28/7; 401/132-135, 143, 145, 152, 155, 183, 184, 186, 196; 604/3

[56] **References Cited**

**U.S. PATENT DOCUMENTS**

D. 373,384	9/1996	Frazier	.....	D9/338	X
3,301,267	1/1967	Gerardi et al.	.....	401/155	
3,759,375	9/1973	Nappi	.....	401/132	X

4,276,718	7/1981	Keeton et al.	.....	401/196	X
4,401,130	8/1983	Halford et al.	.....	15/208	
4,432,749	2/1984	Snyder et al.	.....	401/132	X
5,702,035	12/1997	Tsao	.....	401/132	X

*Primary Examiner*—Alan P. Douglas  
*Assistant Examiner*—Lavone D. Tabor  
*Attorney, Agent, or Firm*—Zachary T. Wobensmith, III

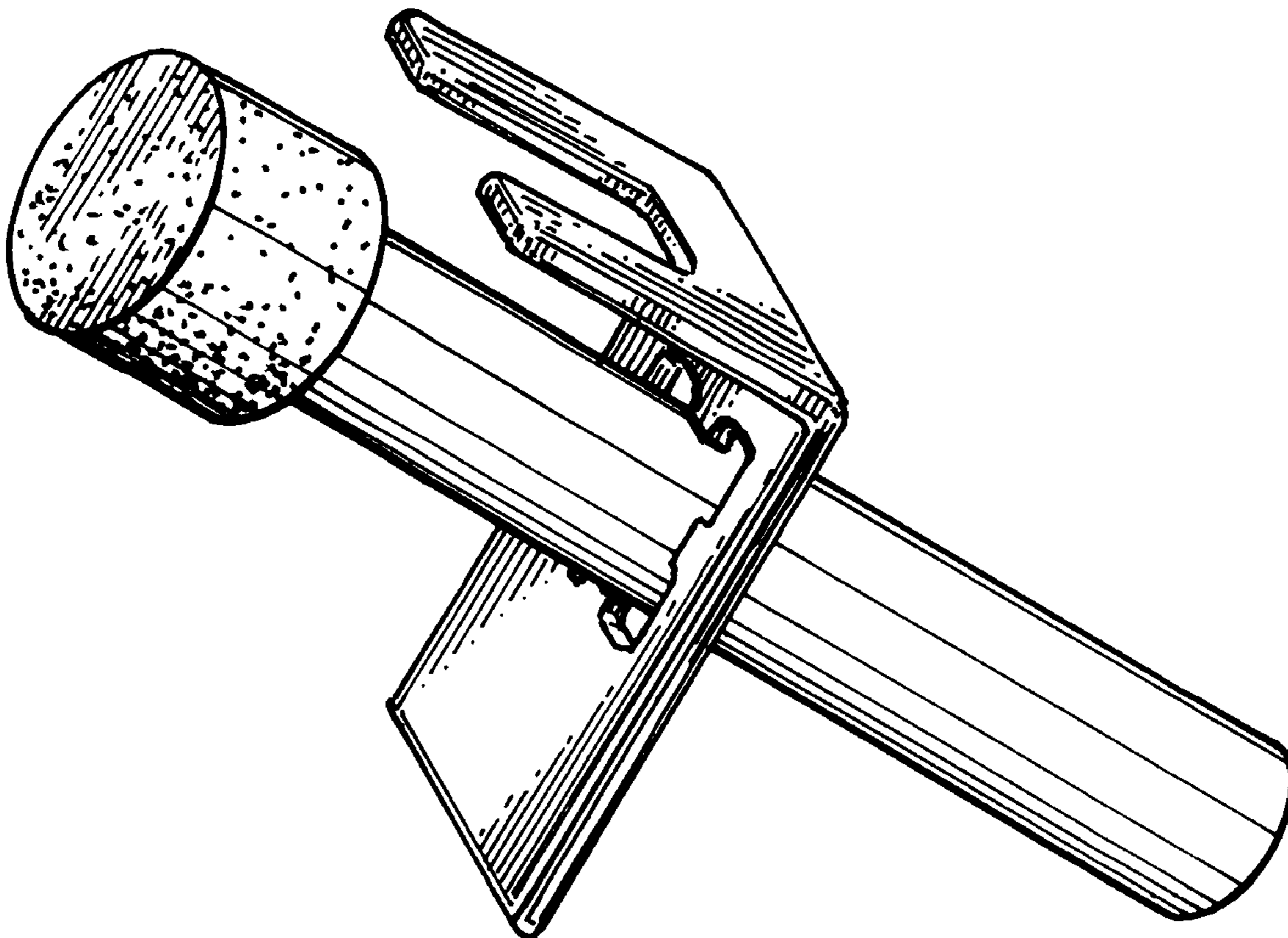
[57] **CLAIM**

The ornamental design for a liquid applicator with slide ring actuator, as shown and described.

**DESCRIPTION**

FIG. 1 is a perspective view of an applicator showing my new design;  
FIG. 2 is a left side elevational view thereof;  
FIG. 3 is a top plan view thereof;  
FIG. 4 is a bottom plan view thereof;  
FIG. 5 is a front elevational view thereof; and,  
FIG. 6 is a rear elevational view thereof.  
The right side of the applicator is a mirror image of the left side.

**1 Claim, 1 Drawing Sheet**



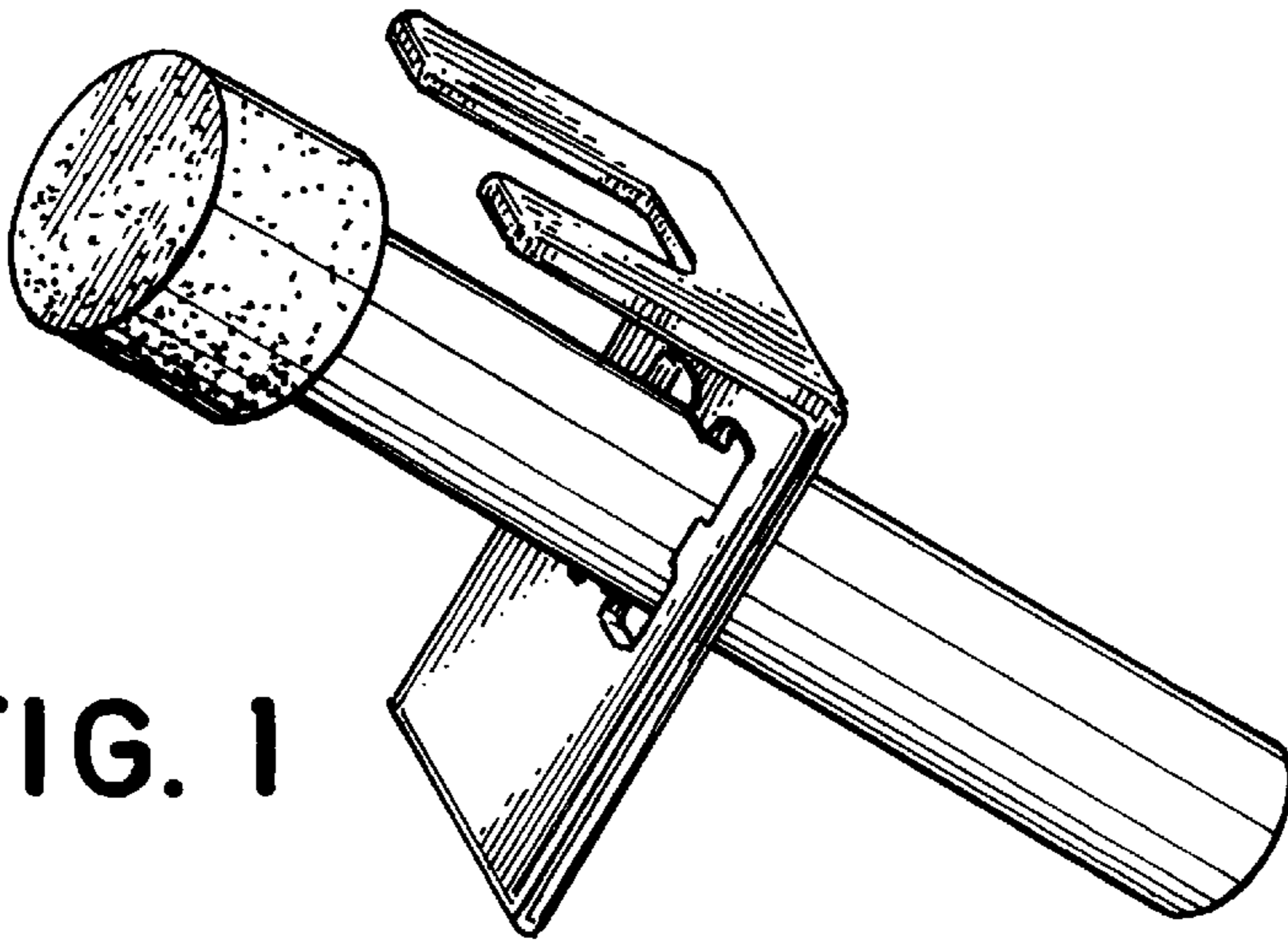


FIG. 1

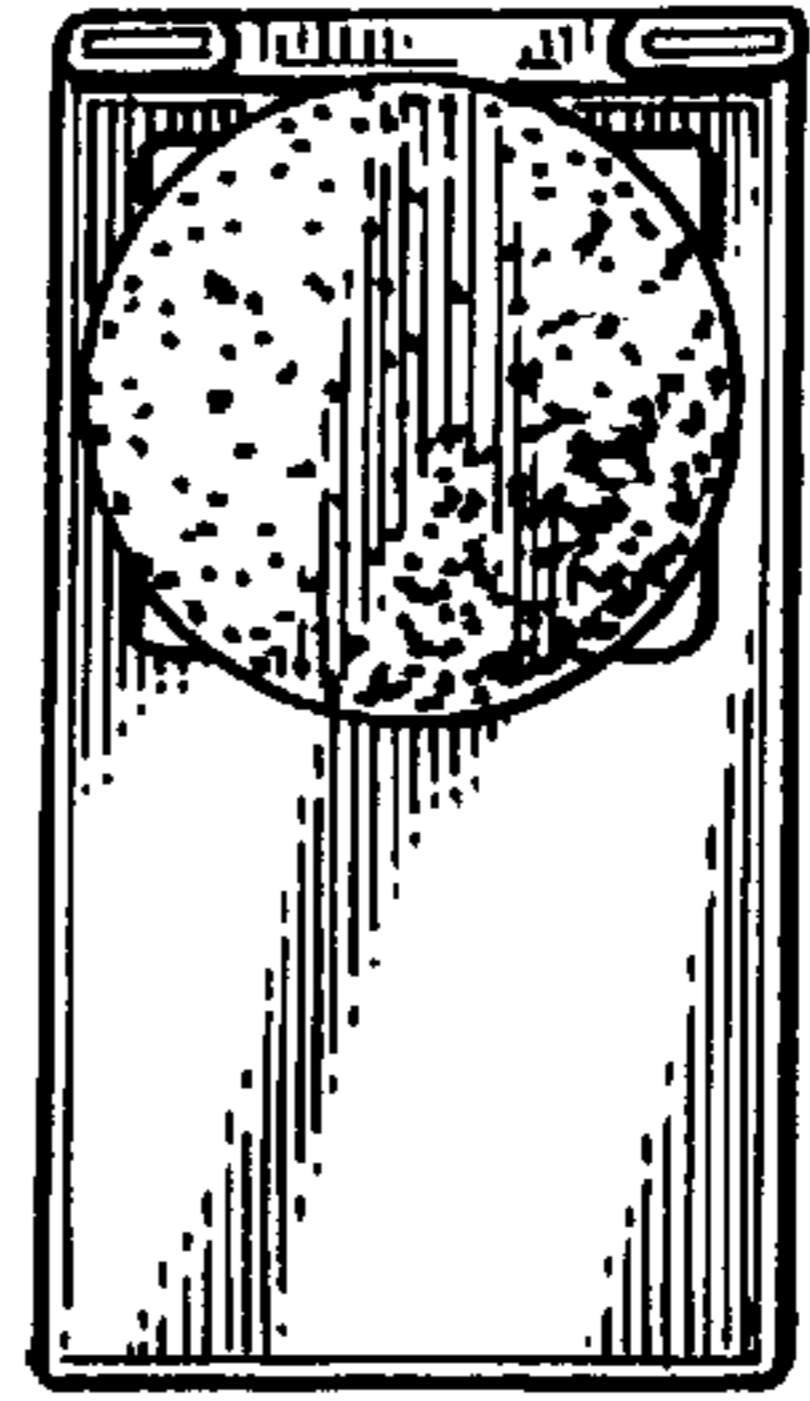


FIG. 5

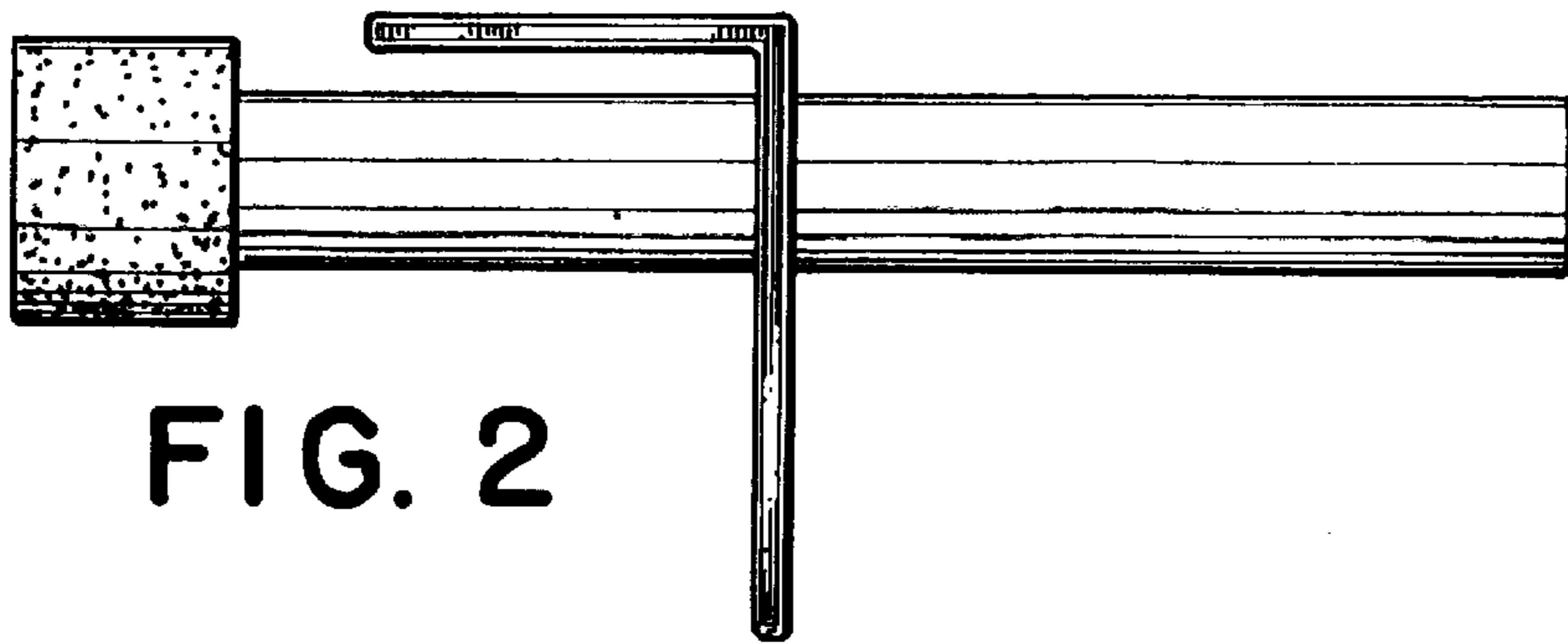


FIG. 2

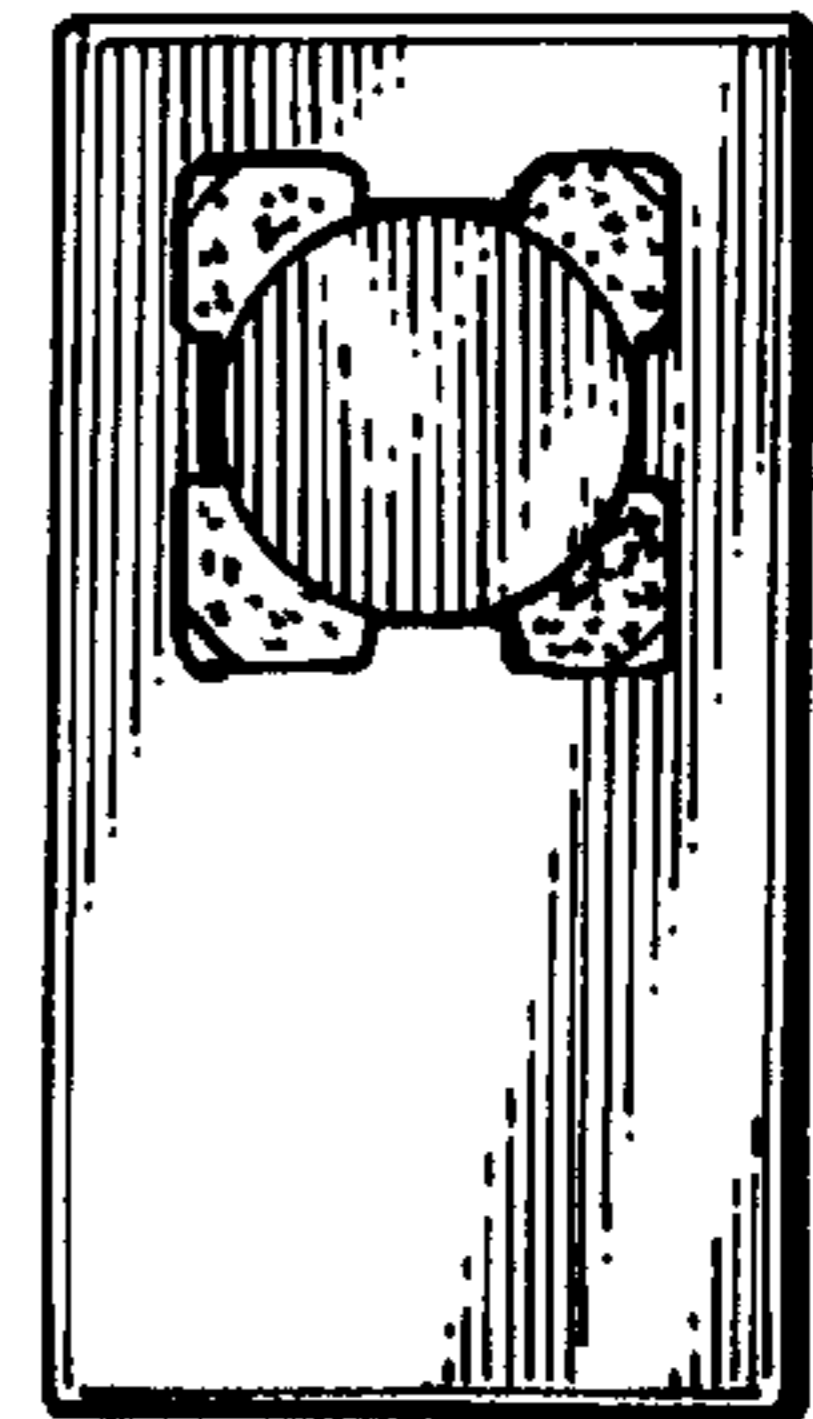


FIG. 6

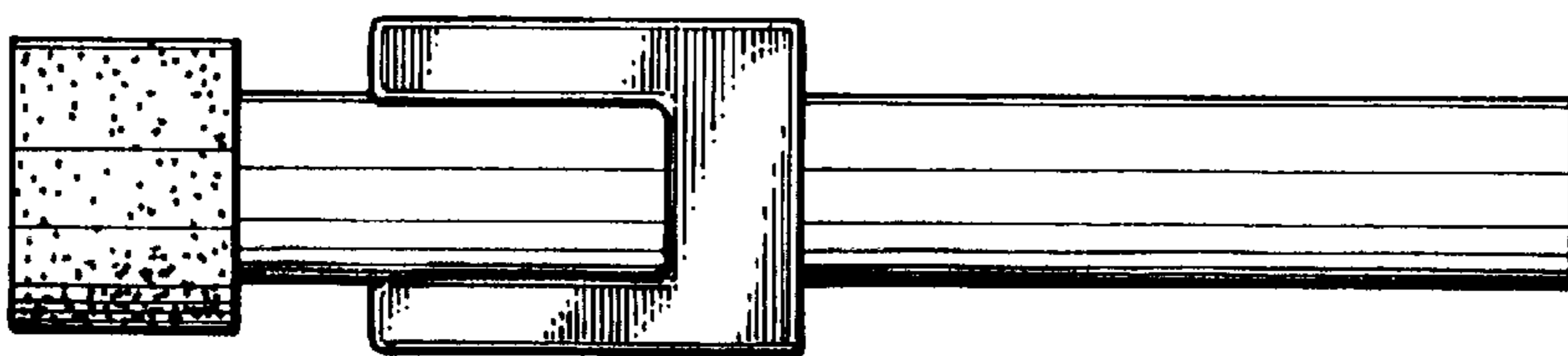


FIG. 3

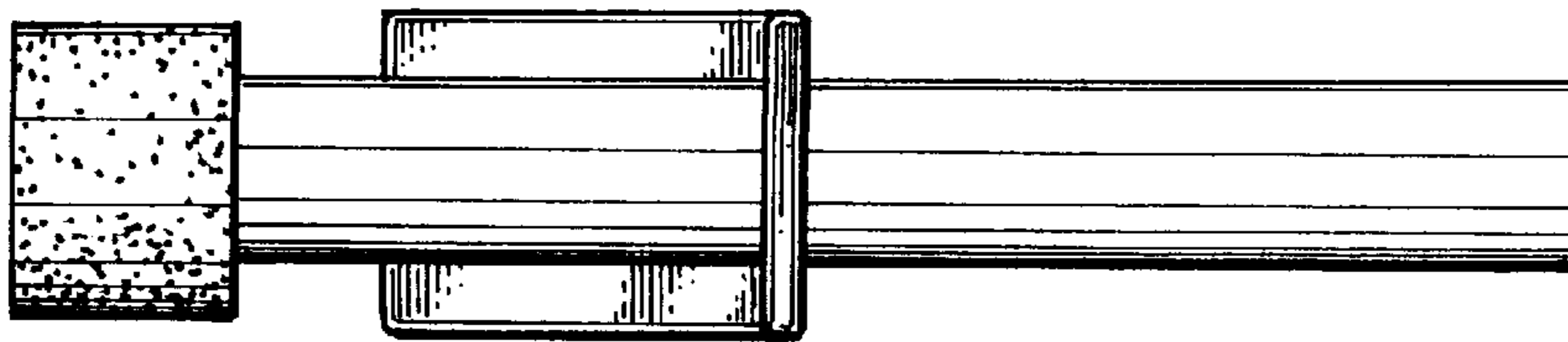


FIG. 4