



US00D416387S

United States Patent [19]

Adams

[11] Patent Number: **Des. 416,387**

[45] Date of Patent: **** Nov. 16, 1999**

[54] **TOILETRY KIT**

[76] Inventor: **Evvard Walter Adams**, 1651 NW. 24th Ter., Fort Lauderdale, Fla. 33311

[**] Term: **14 Years**

[21] Appl. No.: **29/094,383**

[22] Filed: **Oct. 1, 1998**

[51] **LOC (6) Cl.** **04-02**

[52] **U.S. Cl.** **D4/108; D3/205; D3/274**

[58] **Field of Search** D4/108, 116, 104; D3/205, 274, 901; D9/337; 132/286, 308, 312; 206/229, 235, 581, 823; 220/DIG. 26; 338/97

[56] **References Cited**

U.S. PATENT DOCUMENTS

D. 391,399	3/1998	Mills	D4/108
1,509,894	9/1924	Axness	132/308
2,107,216	2/1938	Rogers	132/312 X

2,113,547	4/1938	Joslyn	132/312
2,353,932	7/1944	Schaffer	132/312
5,095,924	3/1992	Stanfield	206/581 X

Primary Examiner—Alan P. Douglas
Assistant Examiner—Lavone D. Tabor

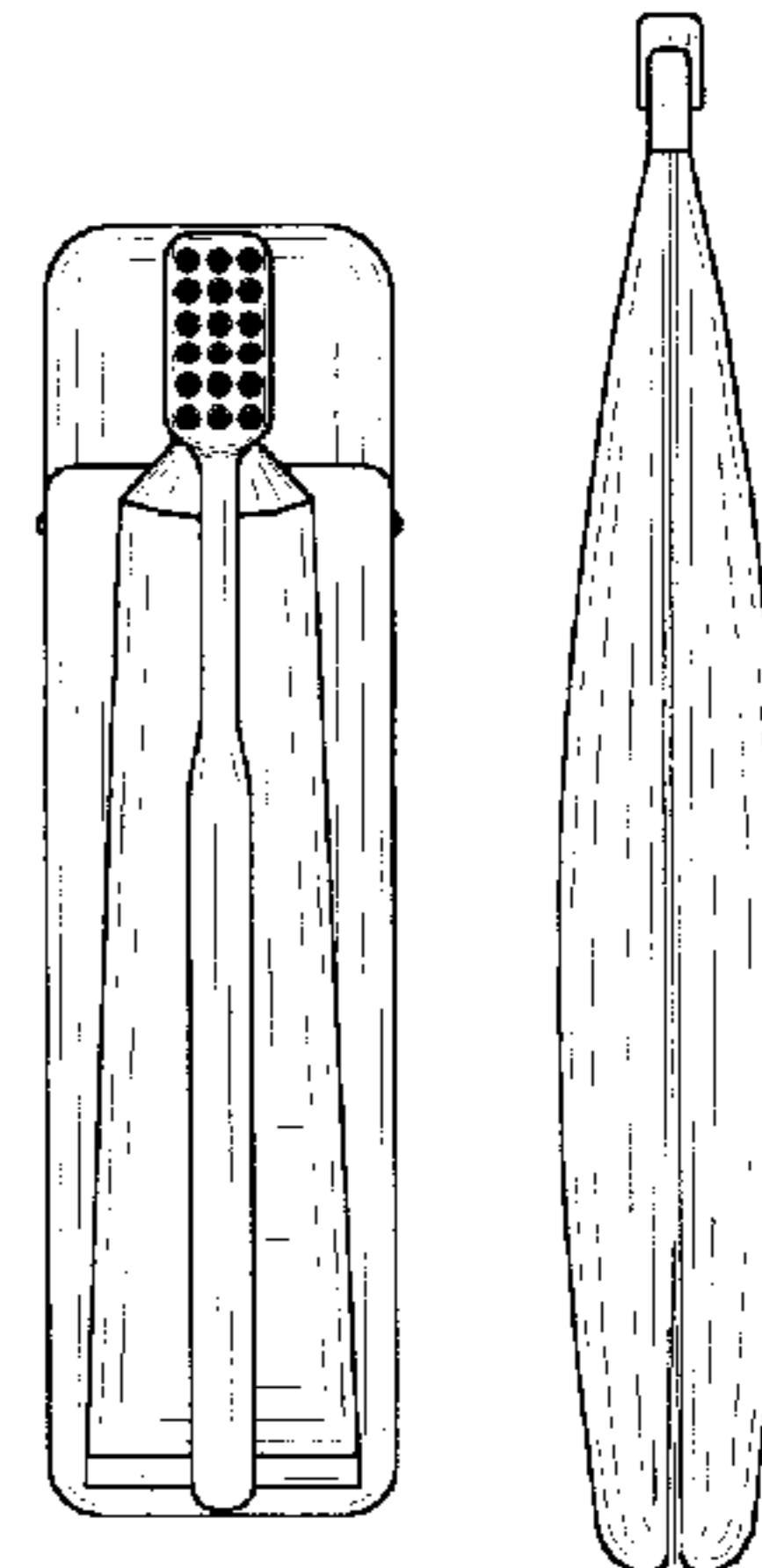
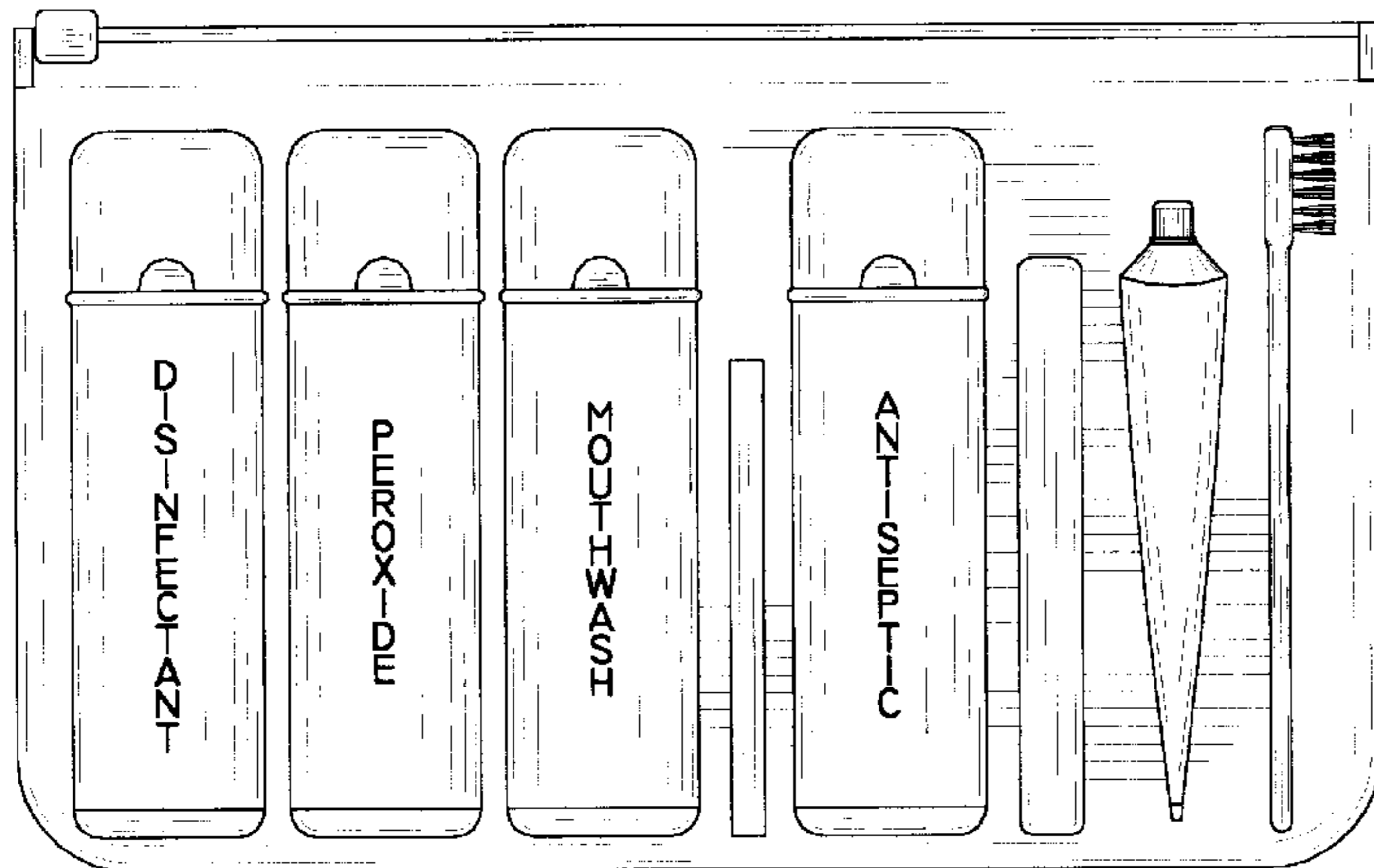
[57] **CLAIM**

The ornamental design for a toiletry kit, as shown.

DESCRIPTION

FIG. 1 is a front elevational view of the toiletry kit of the present invention;
FIG. 2 is a back elevational view of the toiletry kit of FIG. 1;
FIG. 3 is a left side elevational view of the toiletry kit of FIG. 1;
FIG. 4 is a right side elevational view of the toiletry kit of FIG. 1;
FIG. 5 is a top plan view of the toiletry kit of FIG. 1; and,
FIG. 6 is a bottom plan view of the toiletry kit of FIG. 1.

1 Claim, 2 Drawing Sheets



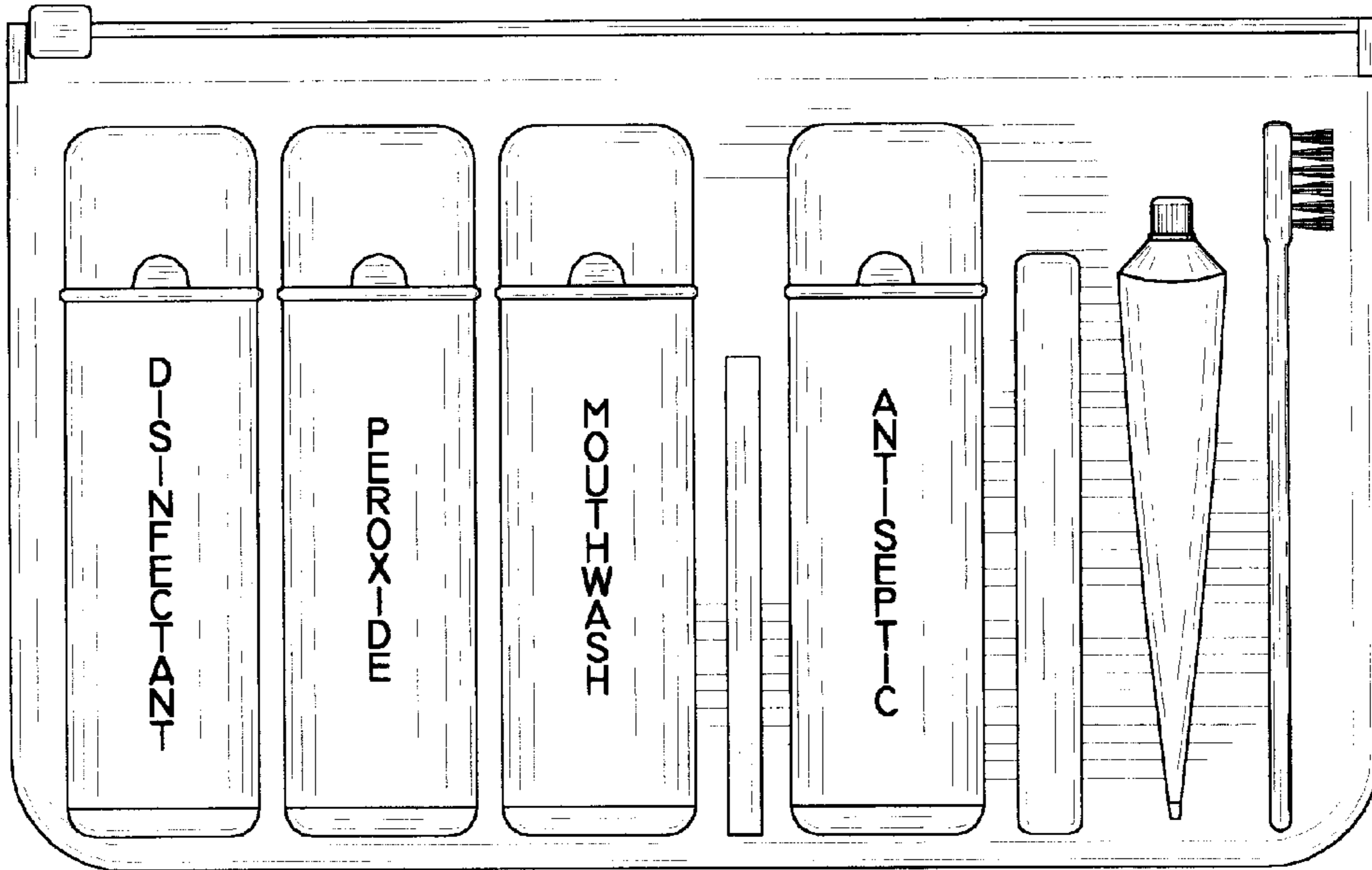


Fig. 1

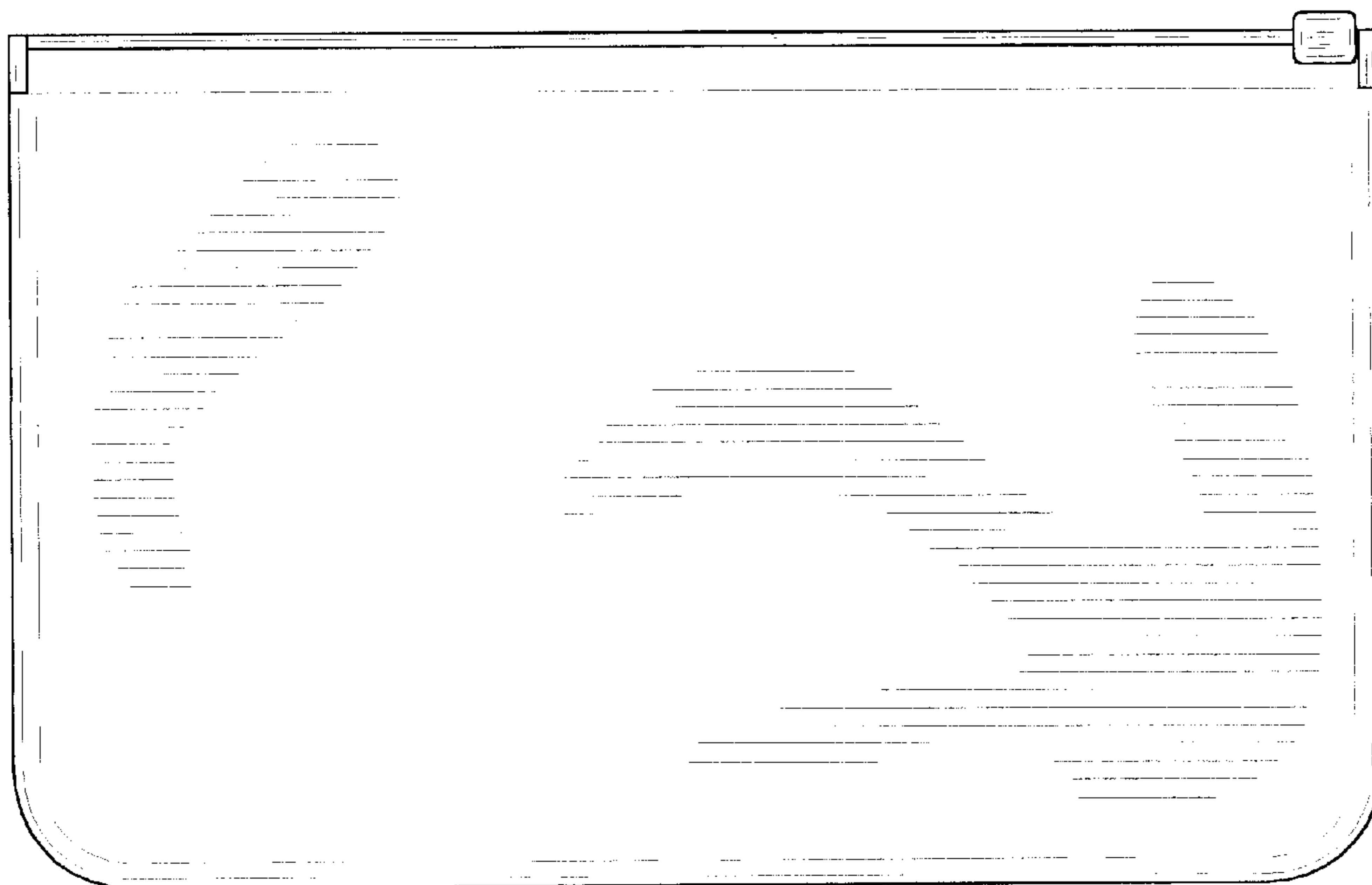


Fig. 2

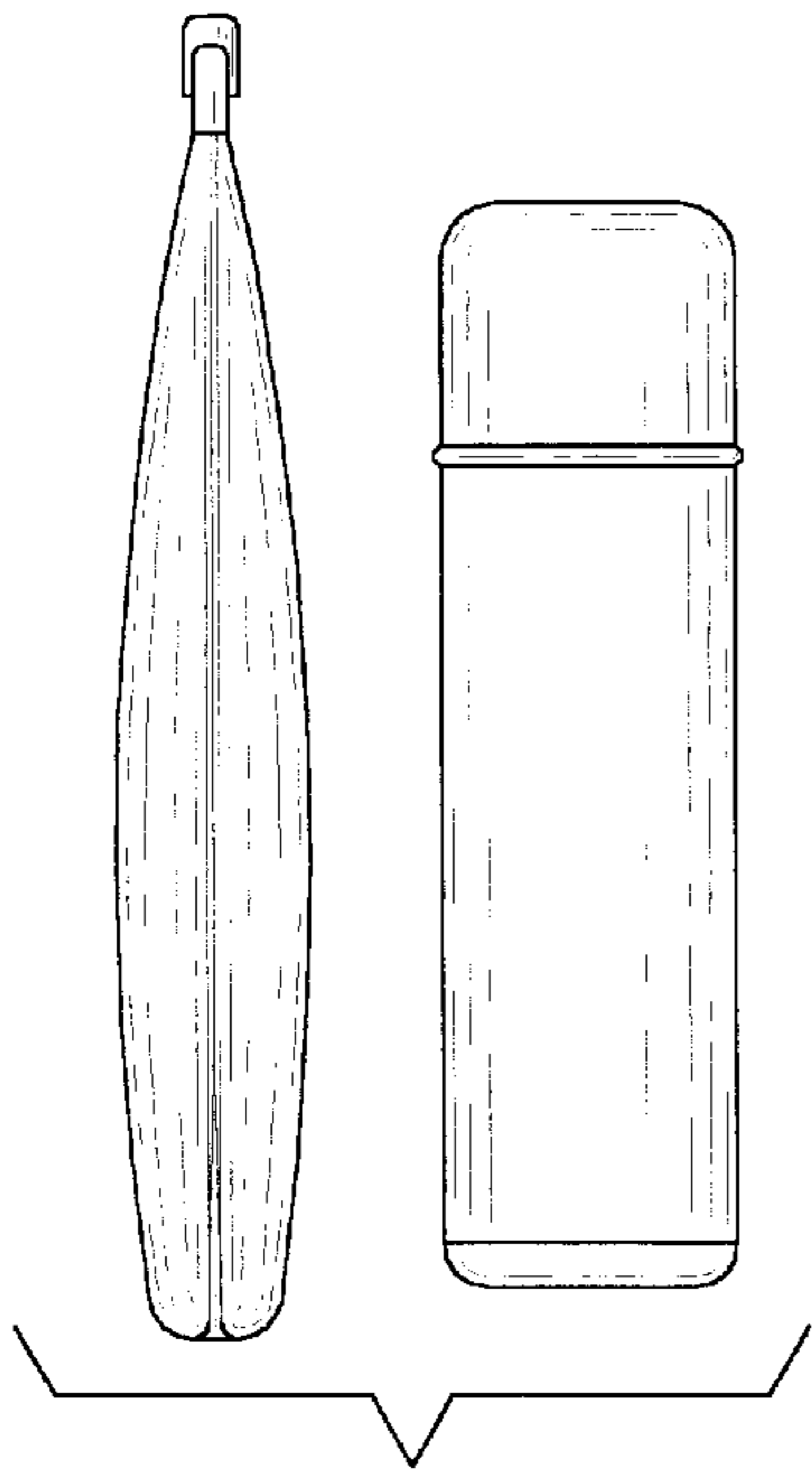


Fig. 3

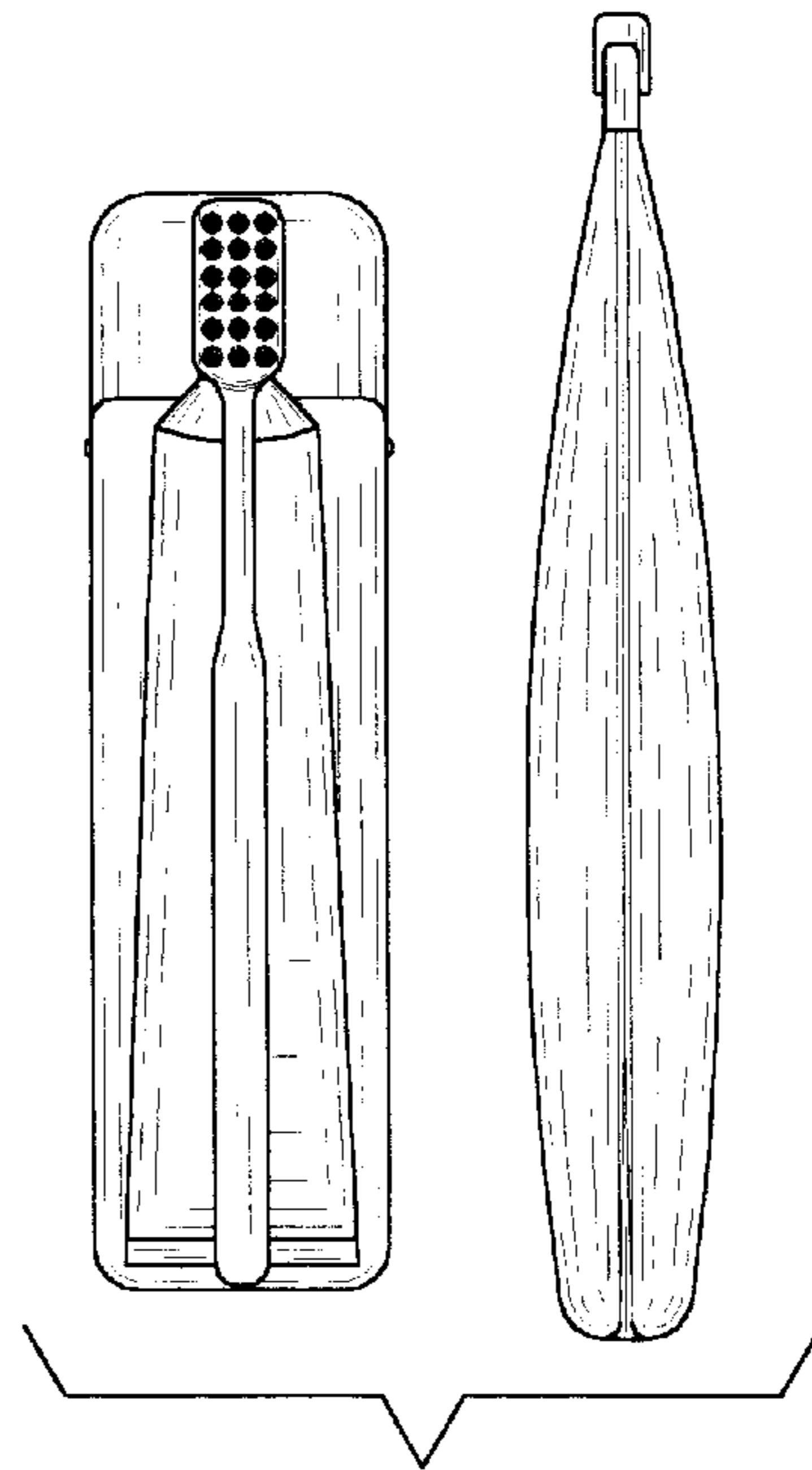


Fig. 4

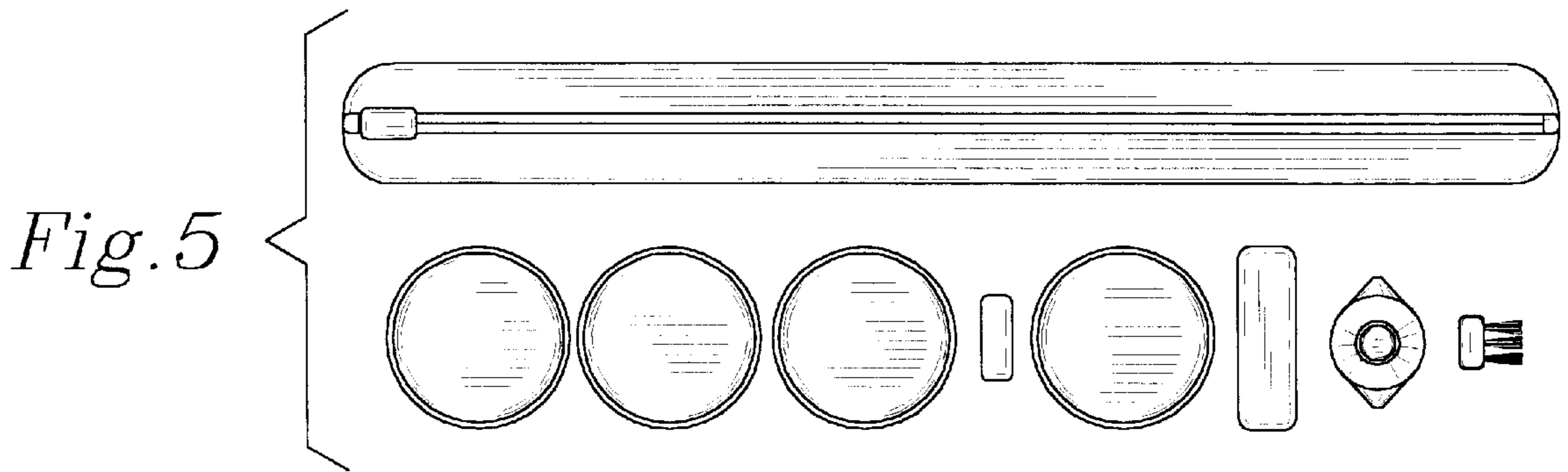


Fig. 5

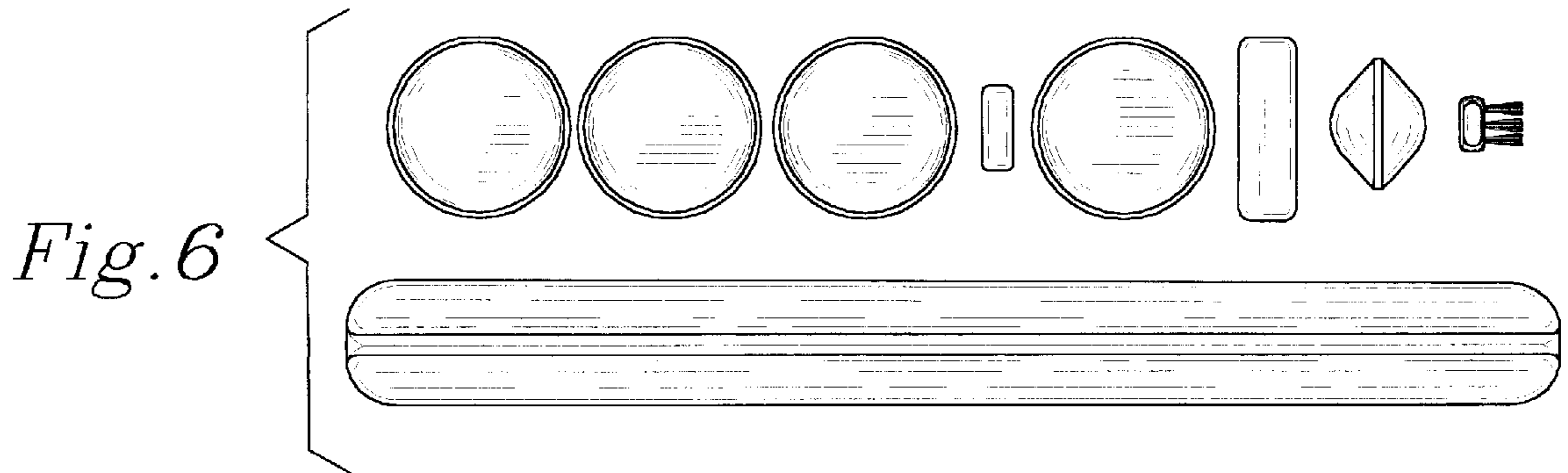


Fig. 6