



US00D416381S

United States Patent [19]

[11] Patent Number: Des. 416,381

Senda et al.

[45] Date of Patent: ** Nov. 16, 1999

[54] SHOE CUSHIONING SYSTEM

DESCRIPTION

[75] Inventors: **Shinji Senda; Yasushi Shimizu; Yoshio Yamashita**, all of Irvine, Calif.

FIG. 1 is a top perspective view showing our new shoe cushioning system;

[73] Assignee: **ASICS Corporation**, Kobe, Japan

FIG. 2 is a bottom perspective view showing our new shoe cushioning system;

[**] Term: **14 Years**

FIG. 3 is a top plan view of our new shoe cushioning system;

[21] Appl. No.: **29/097,755**

FIG. 4 is a right side view of our new shoe cushioning system;

[22] Filed: **Dec. 14, 1998**

FIG. 5 is a bottom plan view of our new shoe cushioning system;

[51] **LOC (6) Cl.** **02-04**

FIG. 6 is a front view of our new shoe cushioning system;

[52] **U.S. Cl.** **D2/961**

FIG. 7 is a rear view of our new shoe cushioning system;

[58] **Field of Search** D2/897, 902-906, D2/914-916, 919, 946-960, 961, 962, 964, 909, 972; 36/88, 91-93, 3 B, 3 R, 43, 44, 71, 76 C, 32 R, 59 R, 37, 25 R, 145, 147, 172-174, 153, 85, 101, 104, 106, 113-115, 124-126, 127, 130, 11.5, 12-15, 22 R, 30 R, 33, 327

FIG. 8 is a left side view of our new shoe cushioning system;

FIG. 9 is a bottom perspective view showing a plug element of our new shoe cushioning system;

FIG. 10 is a top plan view of the plug element our new shoe cushioning system;

FIG. 11 is a bottom plan view of the plug element our new shoe cushioning system;

FIG. 12 is a left side view of the plug element our new shoe cushioning system, with the right side view being the same;

FIG. 13 is a front view of the plug element our new shoe cushioning system, with the rear view being the same;

FIG. 14 is a top perspective view showing a pad element of our new shoe cushioning system;

FIG. 15 is a bottom perspective view showing the pad element of our new shoe cushioning system;

FIG. 16 is a top plan view of the pad element our new shoe cushioning system;

FIG. 17 is a right side view of the pad element our new shoe cushioning system, with the left side view being the same;

FIG. 18 is a bottom plan view of the pad element our new shoe cushioning system;

FIG. 19 is a front view of the pad element our new shoe cushioning system; and,

FIG. 20 is a rear view of the pad element of our new shoe cushioning system.

The broken line showing of the shoe in FIG. 8 is for illustrative purposes only and forms no part of the claimed design.

[56] References Cited

U.S. PATENT DOCUMENTS

- D. 363,813 11/1995 Gay .
- 4,168,585 9/1979 Gleichner .
- 4,438,573 3/1984 McBarron .
- 4,616,431 10/1986 Dassler .
- 4,733,483 3/1988 Lin .
- 4,843,735 7/1989 Nakanishi .
- 4,843,741 7/1989 Yung-Mao .
- 4,845,863 7/1989 Yung-Mao .
- 4,908,962 3/1990 Yung-Mao .
- 4,970,807 11/1990 Anderie et al. .
- 5,077,915 1/1992 Gross .

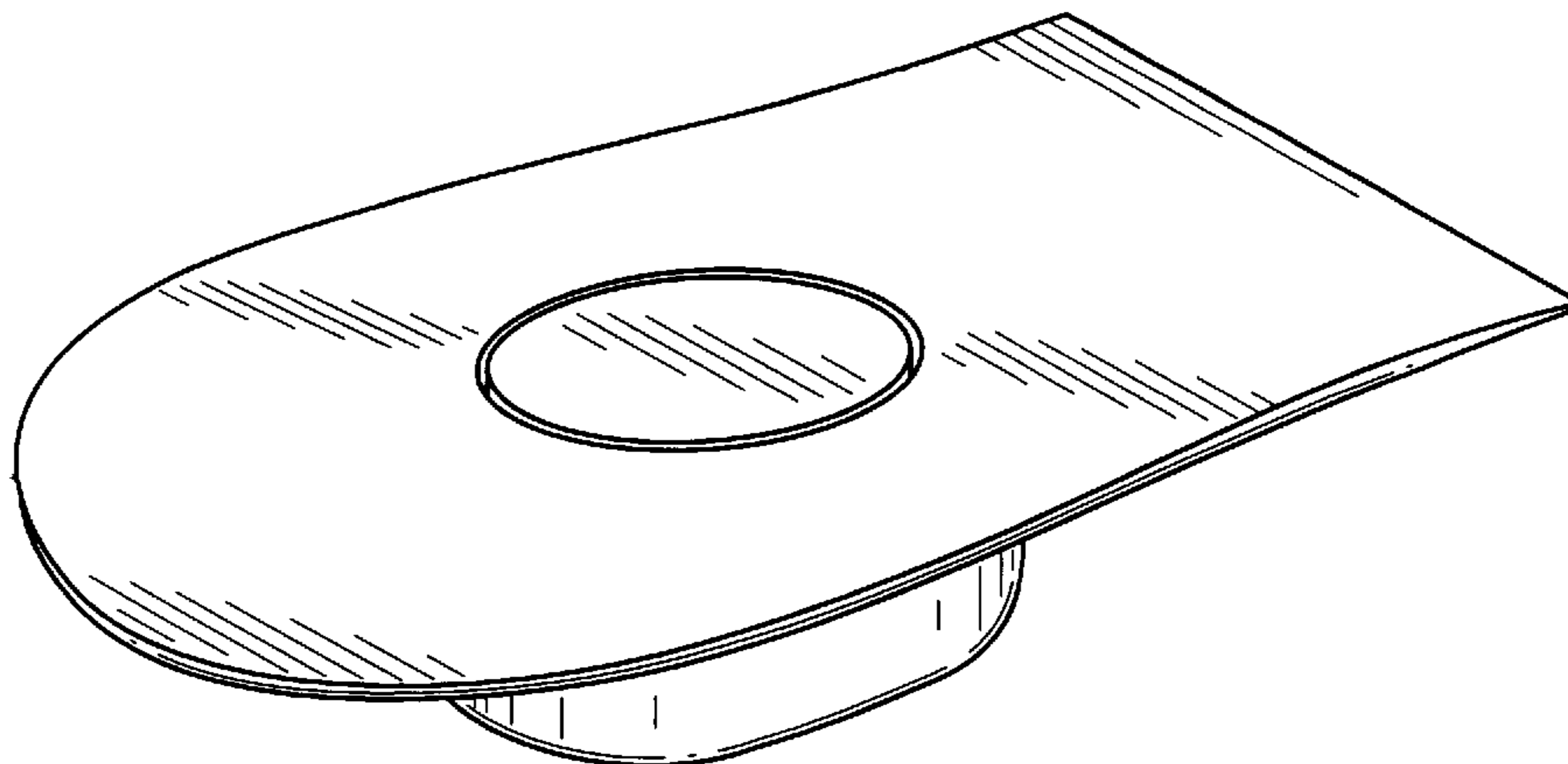
(List continued on next page.)

Primary Examiner—Louis S. Zarfaz
Assistant Examiner—Gregory Andoll
Attorney, Agent, or Firm—Michael E. Zall

[57] CLAIM

I claim the ornamental design for the shoe cushioning system, as shown and described.

1 Claim, 8 Drawing Sheets



Des. 416,381

Page 2

U.S. PATENT DOCUMENTS

5,086,574	2/1992	Bacchiocchi .	5,402,588	4/1995	Graham et al. .
5,172,494	12/1992	Davidson .	5,493,791	2/1996	Kramer .
5,174,049	12/1992	Flemming .	5,537,762	7/1996	Walters .
5,175,946	1/1993	Tsai .	5,595,003	1/1997	Snow .
5,203,793	4/1993	Lyden .	5,611,152	3/1997	Richard et al. .
5,222,311	6/1993	Lin .	5,619,809	4/1997	Sessa .
5,287,638	2/1994	Preston .	5,675,914	10/1997	Cintron 36/3 B
5,363,570	11/1994	Allen et al. .	5,689,902	11/1997	Juang .
5,369,896	12/1994	Frachey et al. .	5,768,802	6/1998	Bramani .
5,394,626	3/1995	Brown .	5,787,609	8/1998	Wu .

FIG. 1

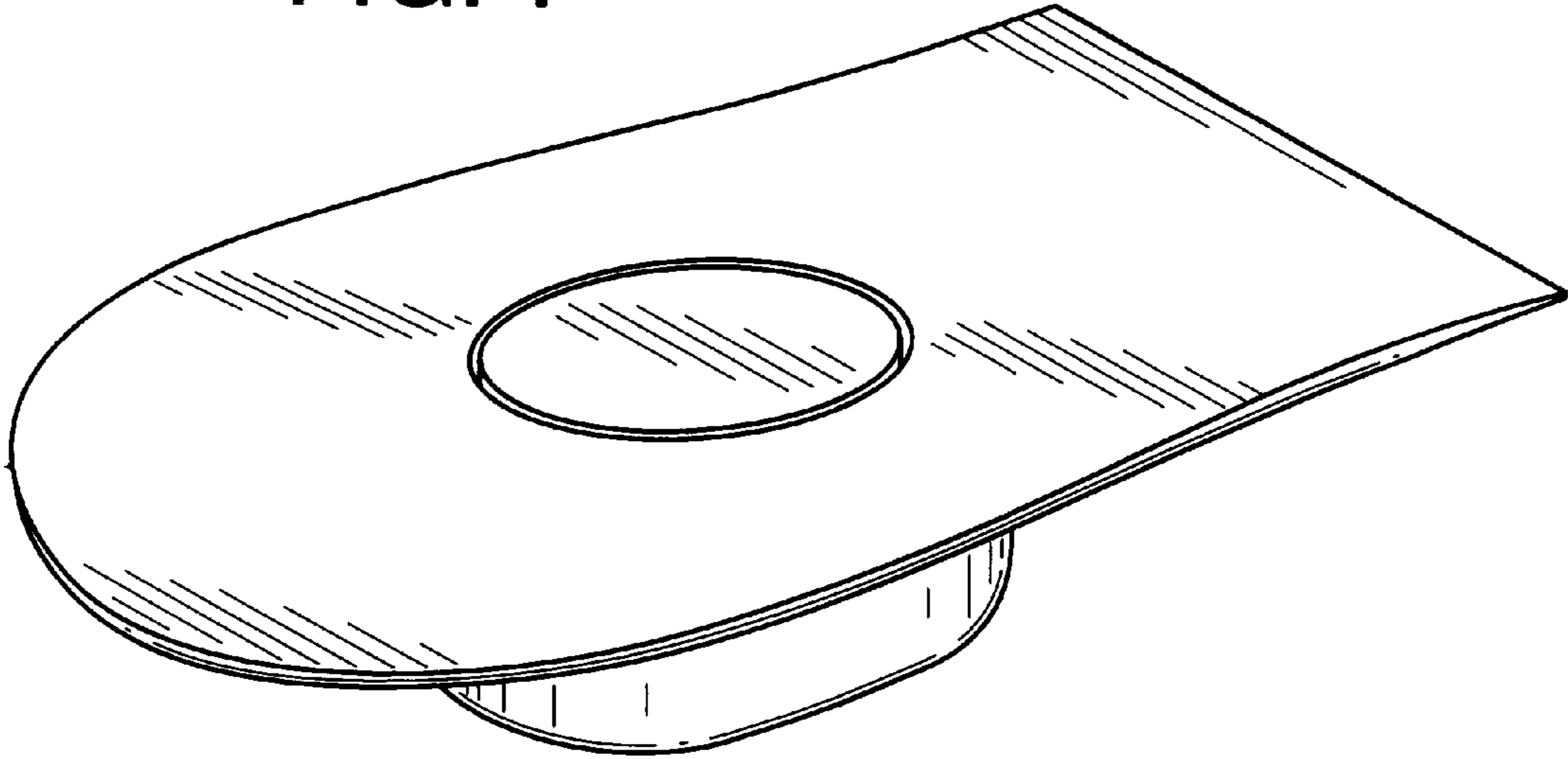


FIG. 2

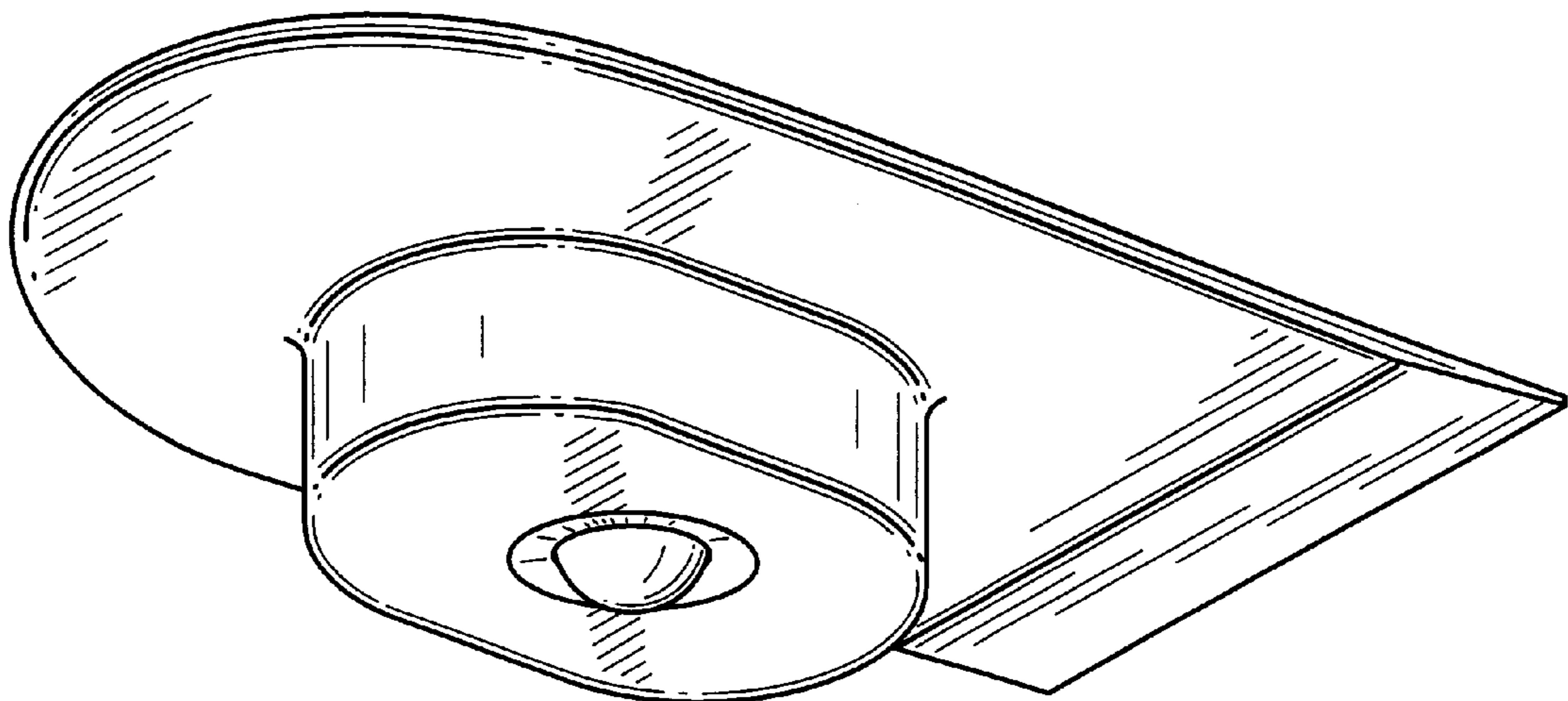


FIG. 3

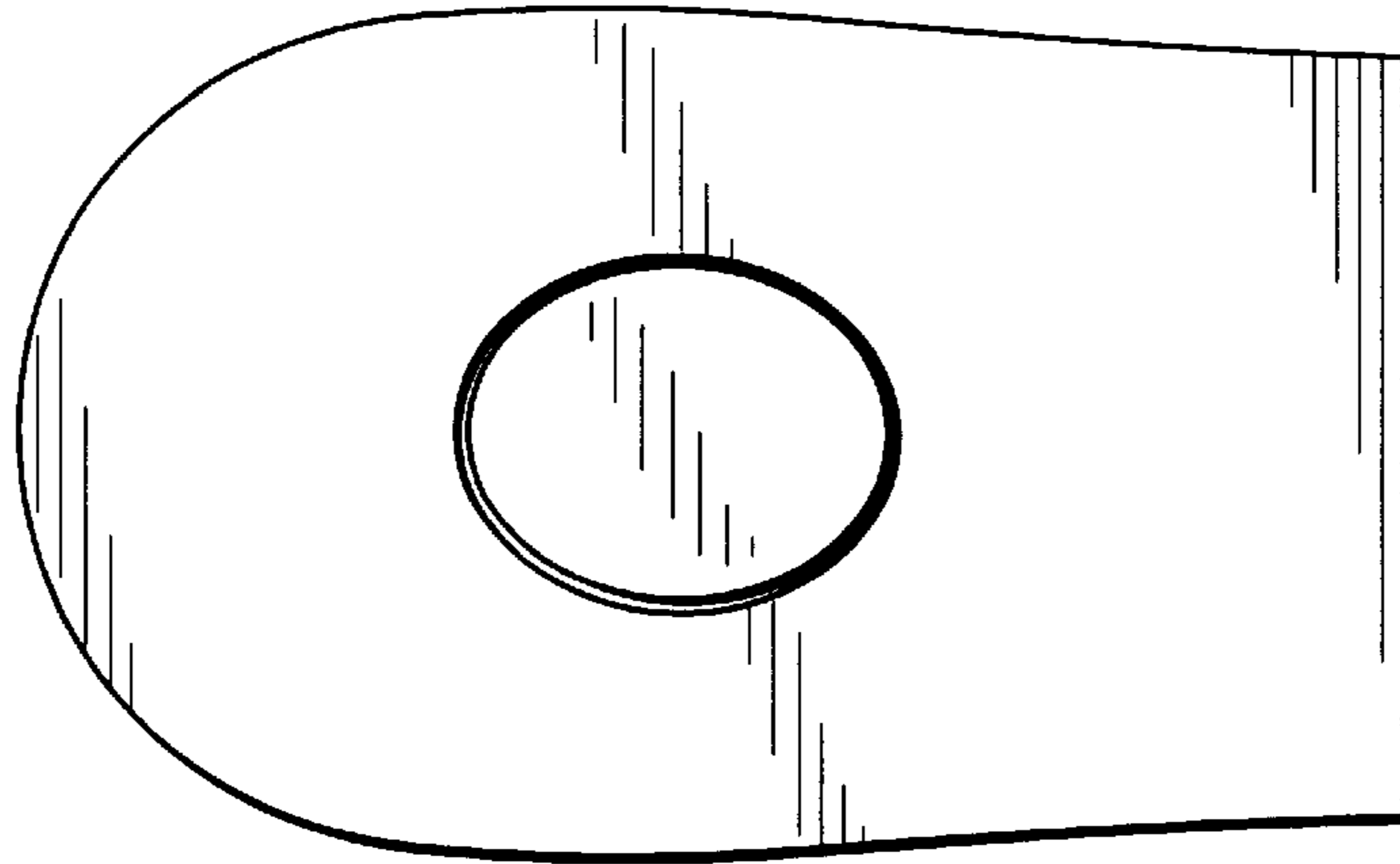


FIG. 4

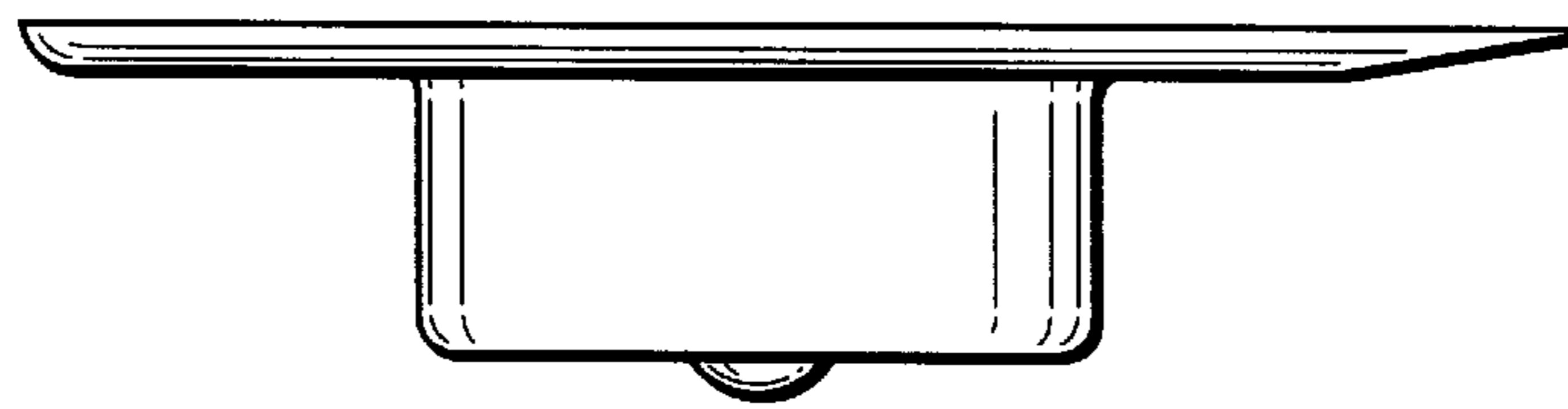


FIG. 5

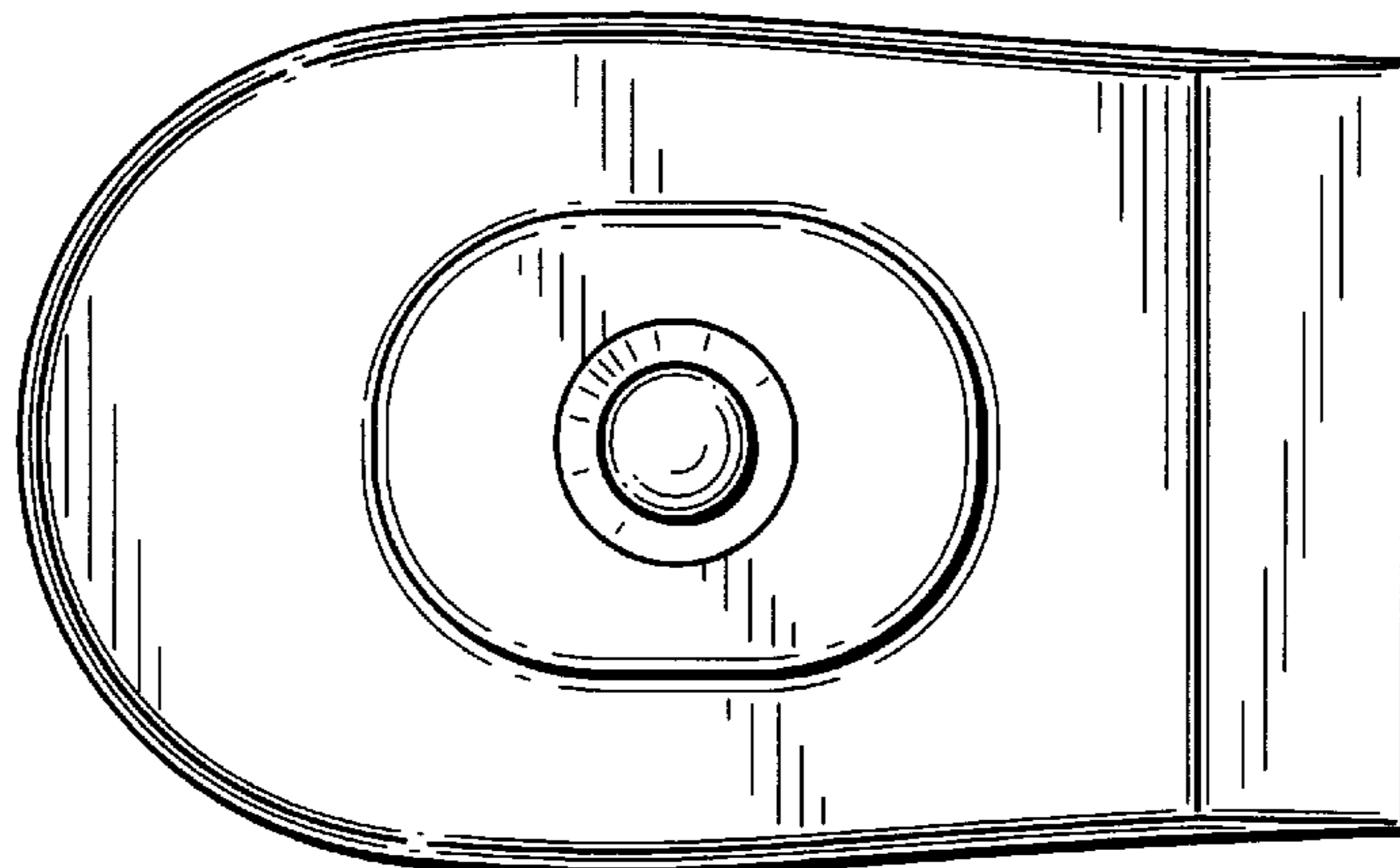


FIG. 6

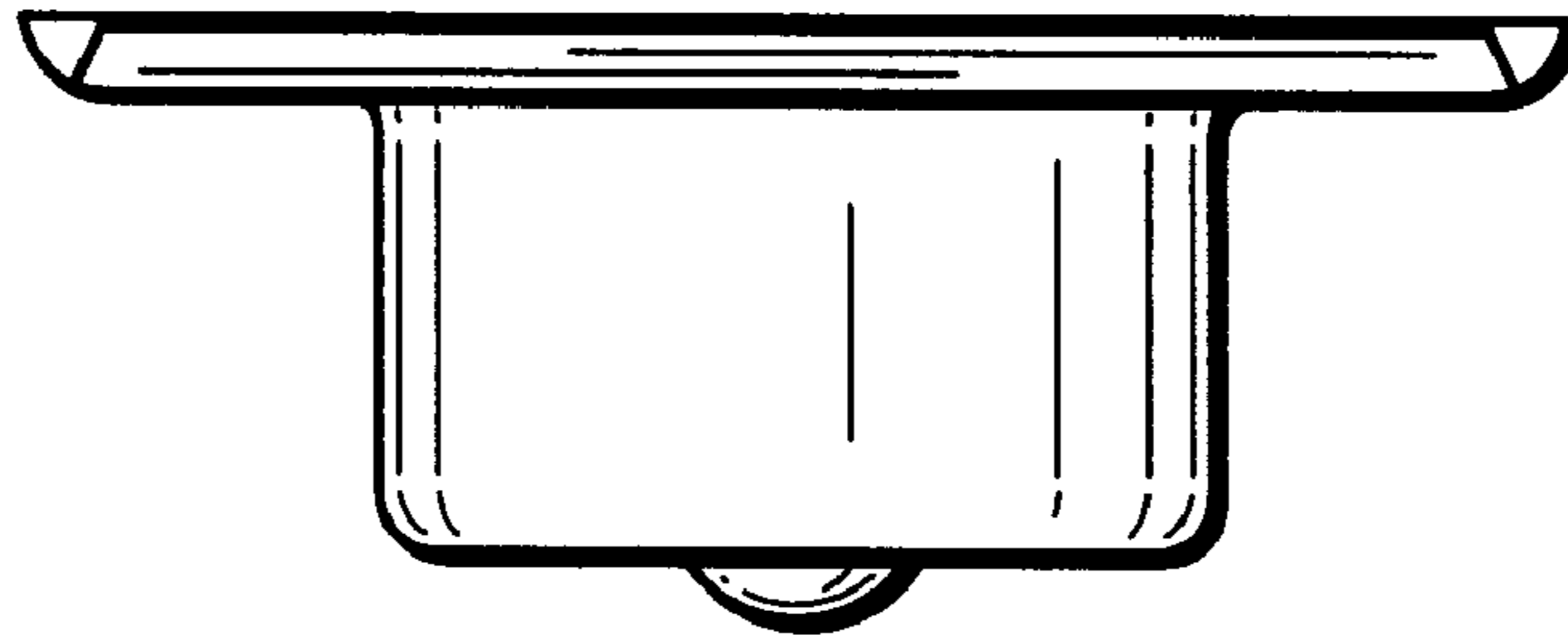


FIG. 7

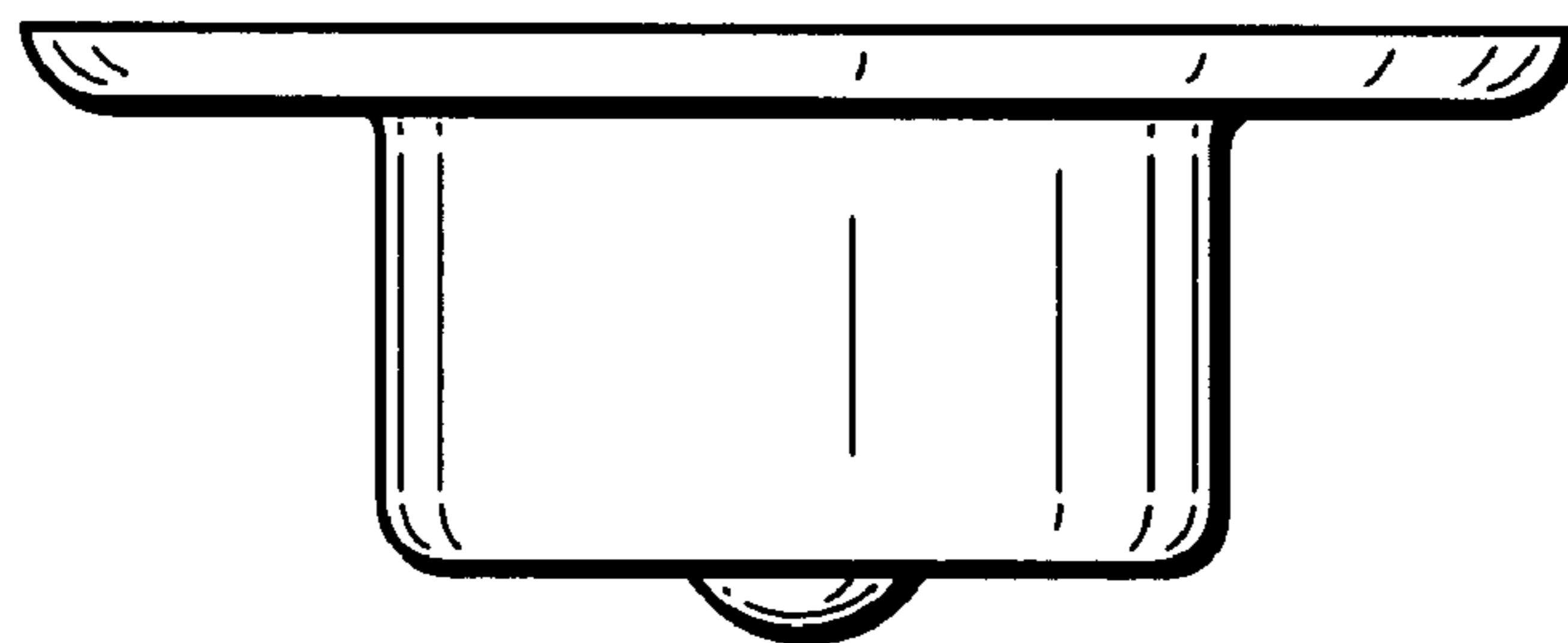


FIG. 8



FIG. 9

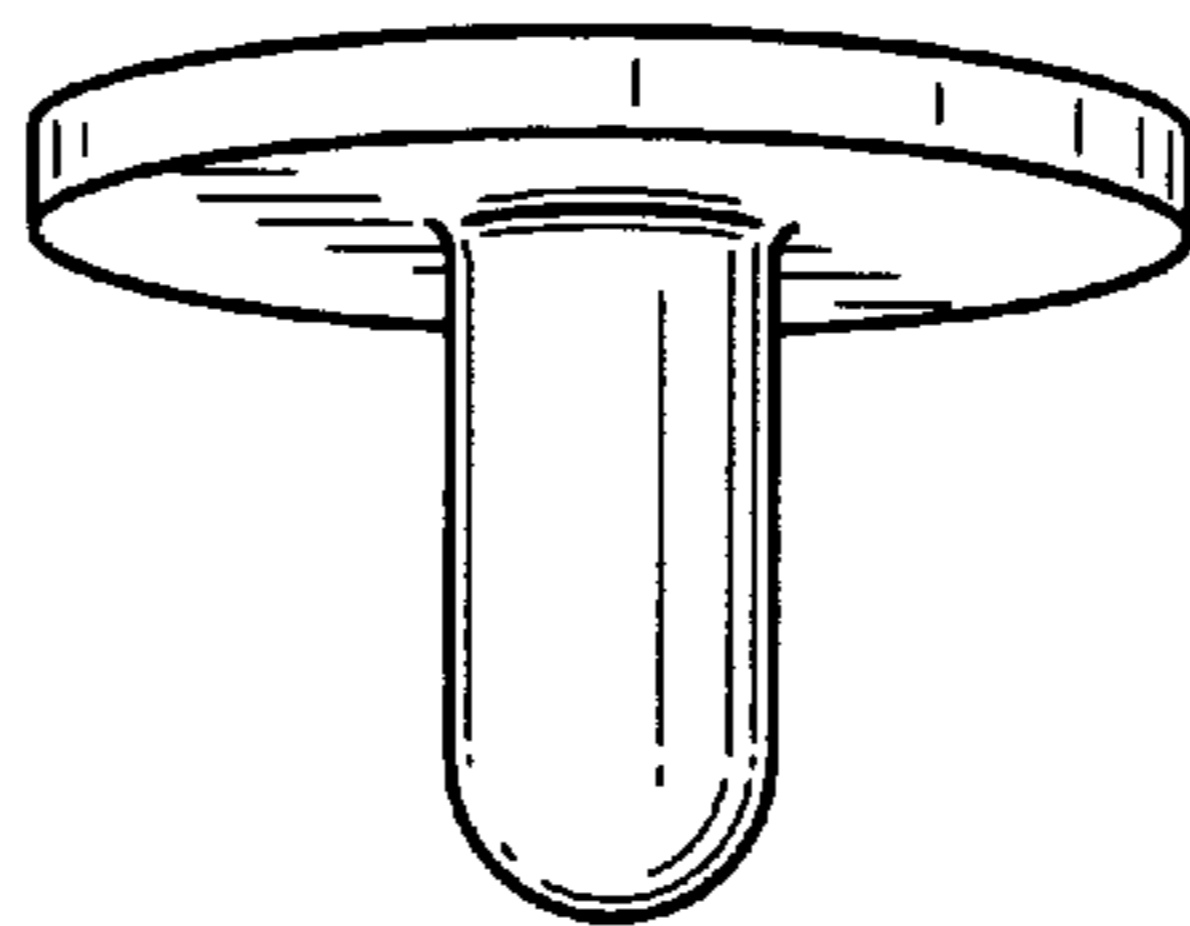


FIG. 10

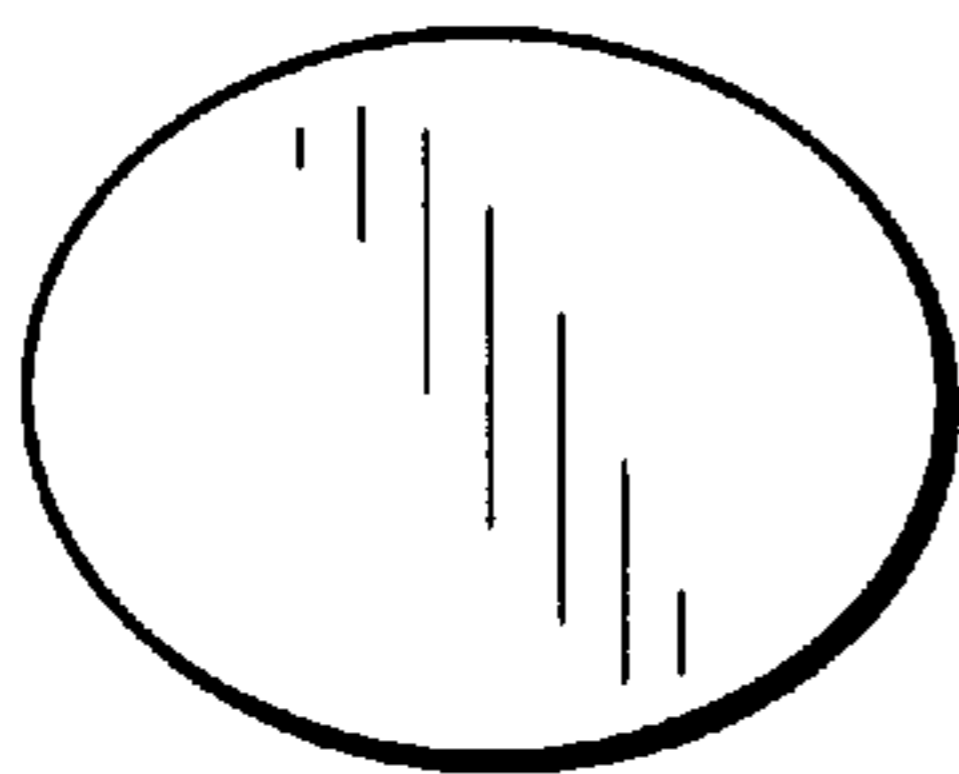


FIG. 11

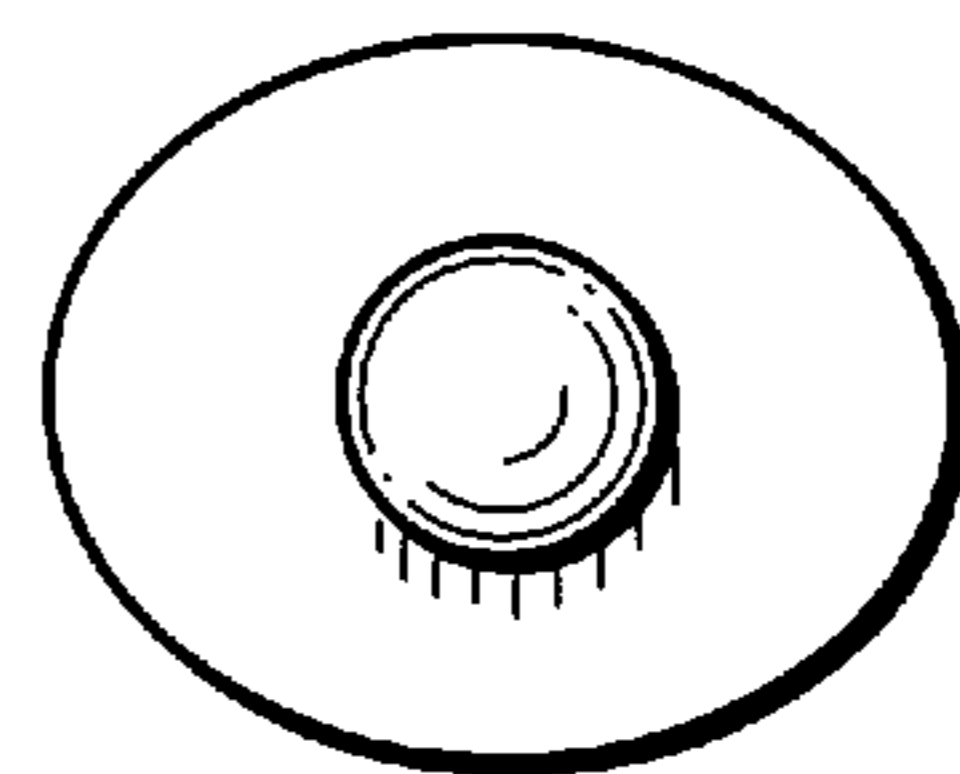


FIG. 12

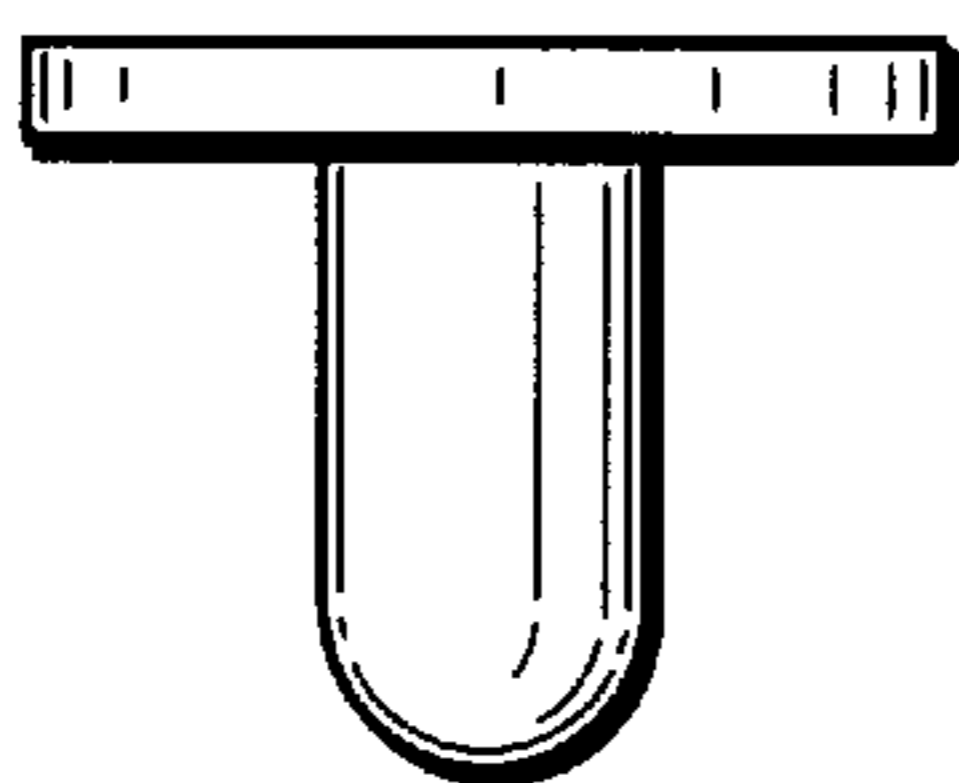


FIG. 13

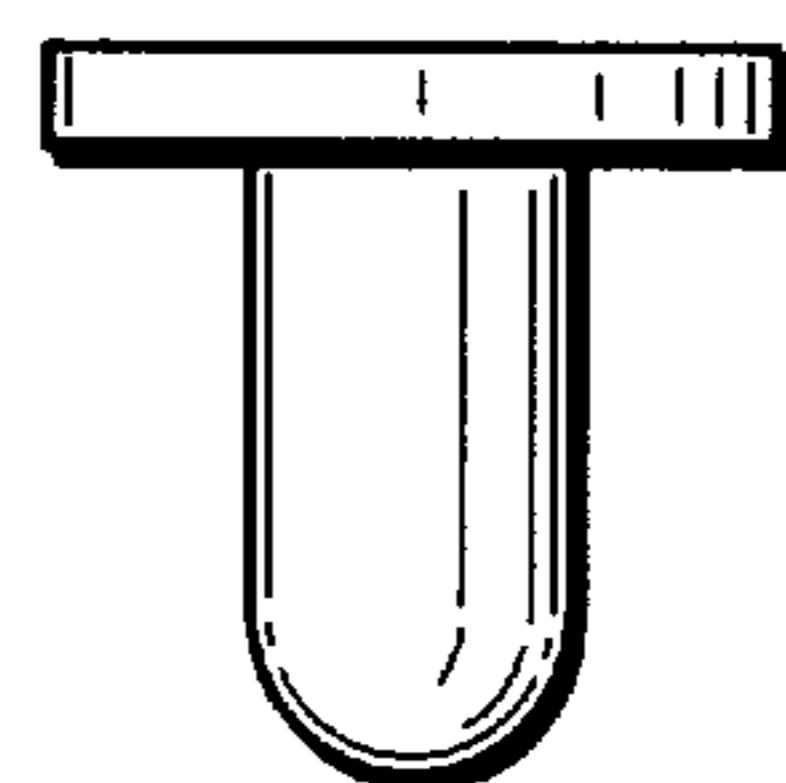


FIG. 14

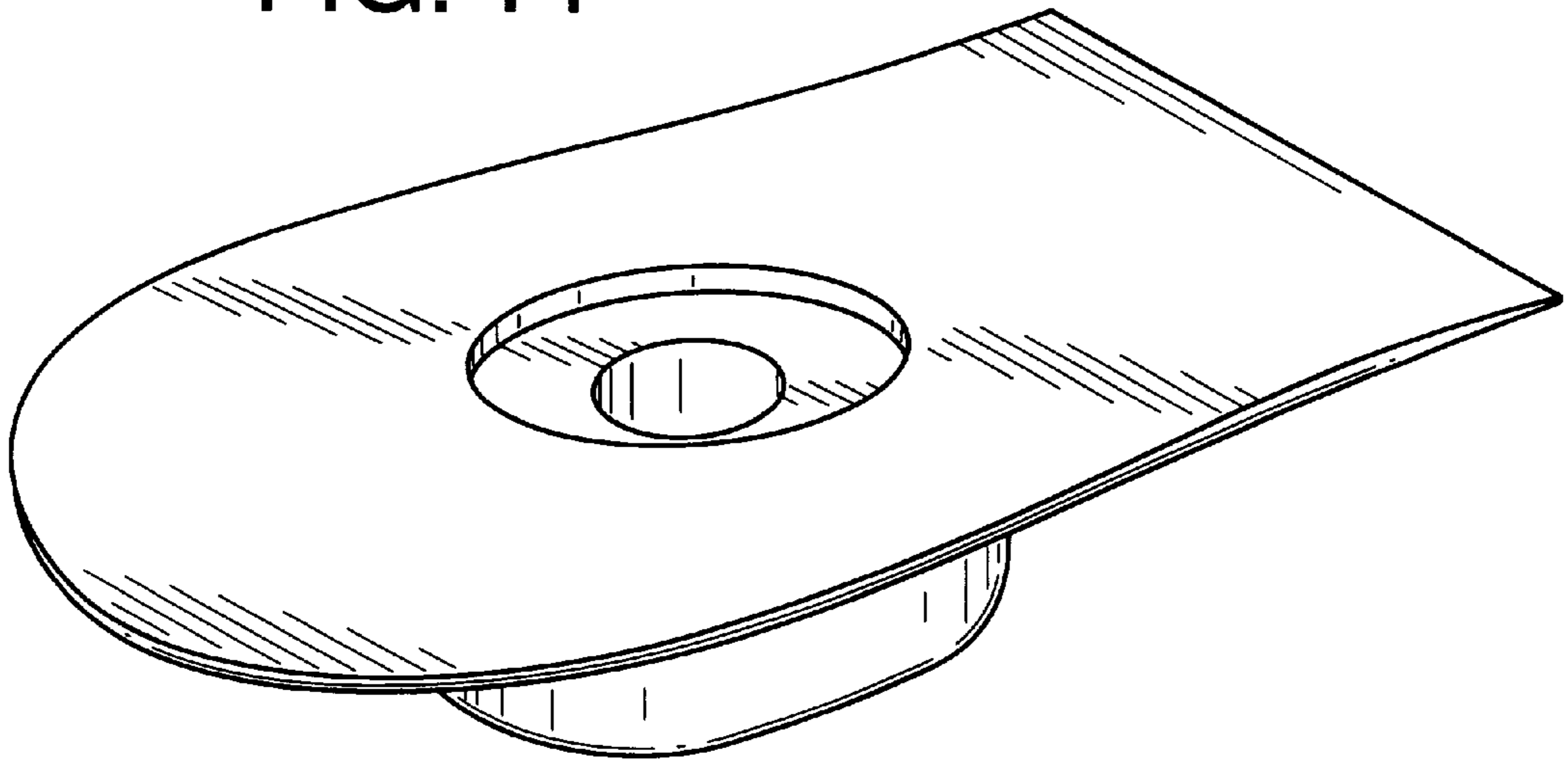


FIG. 15

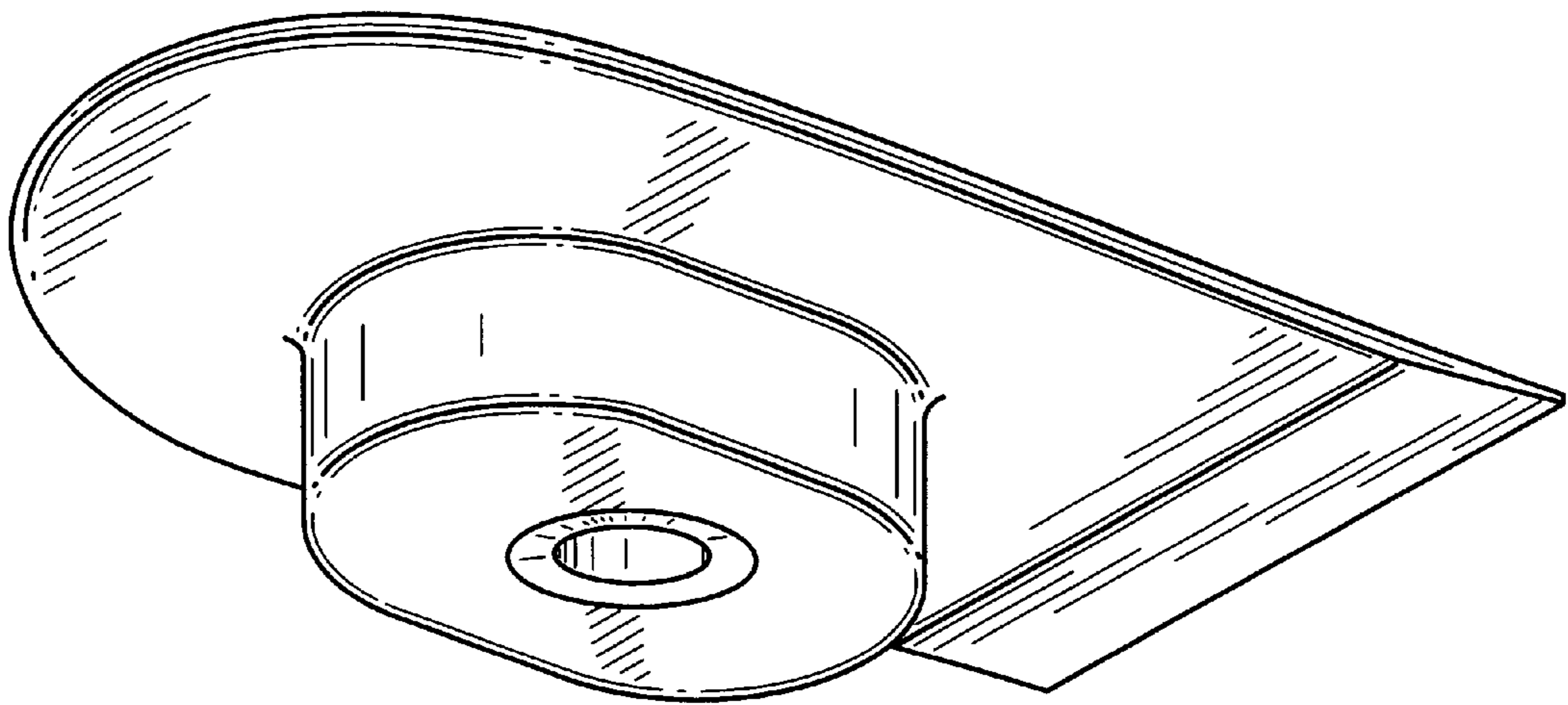


FIG. 16

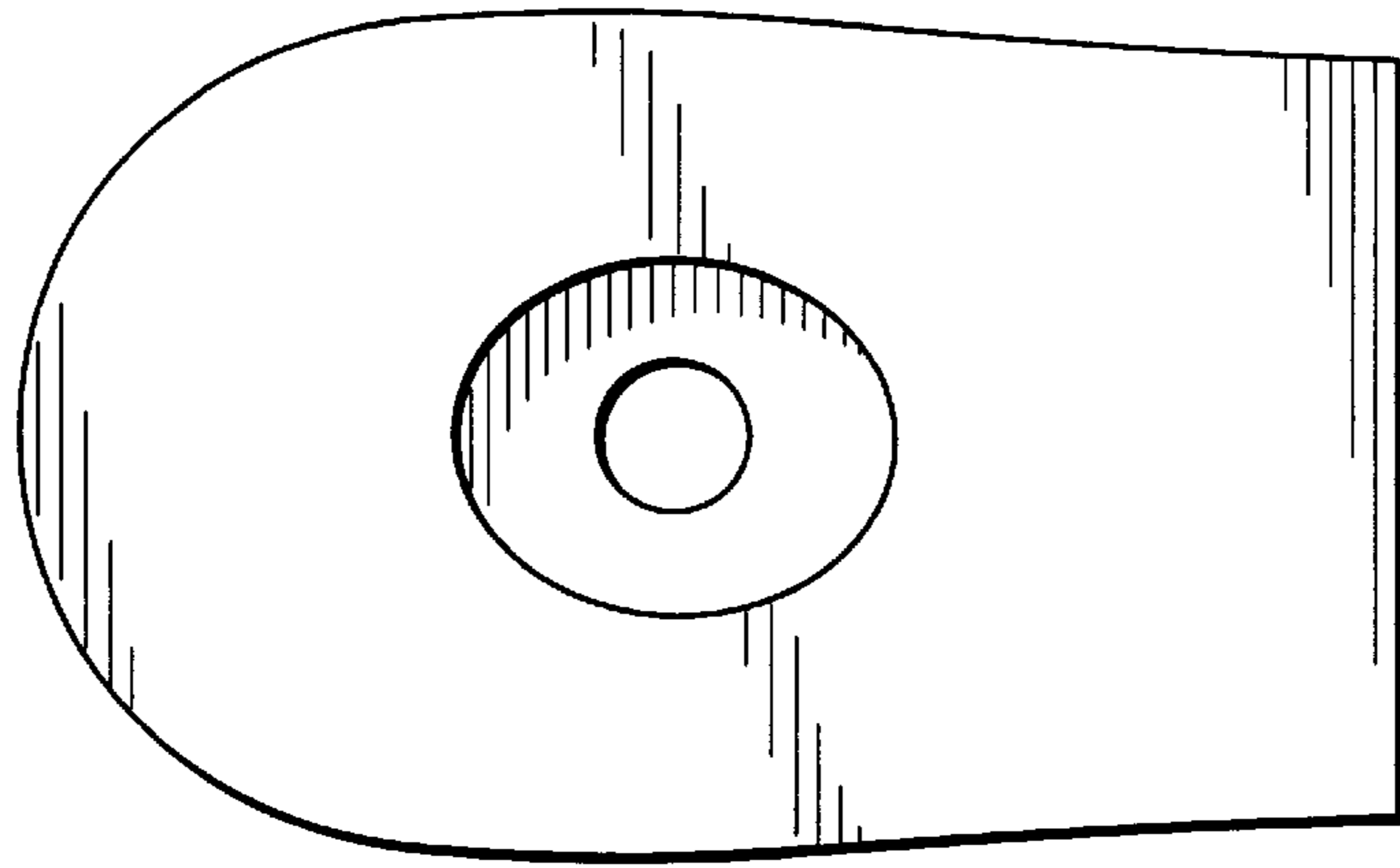


FIG. 17

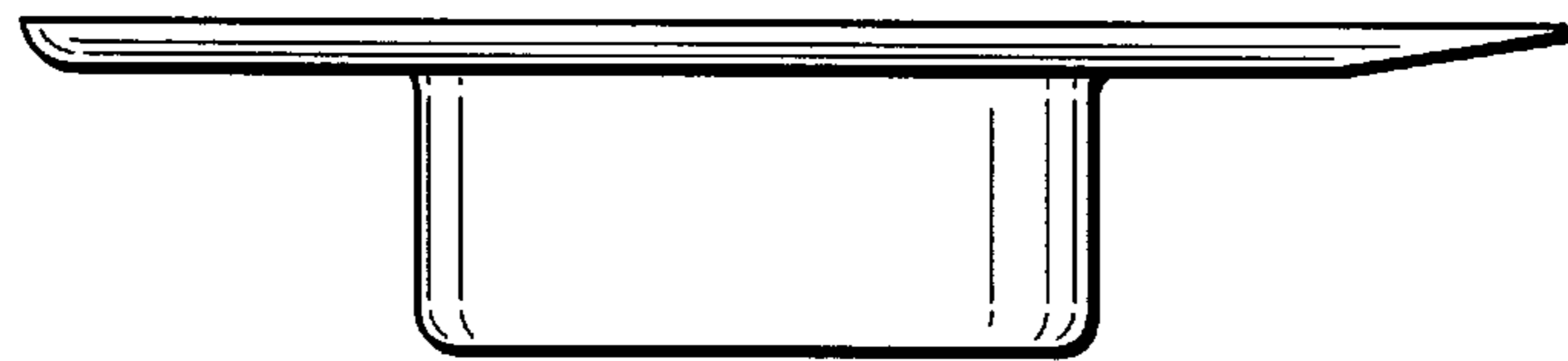


FIG. 18

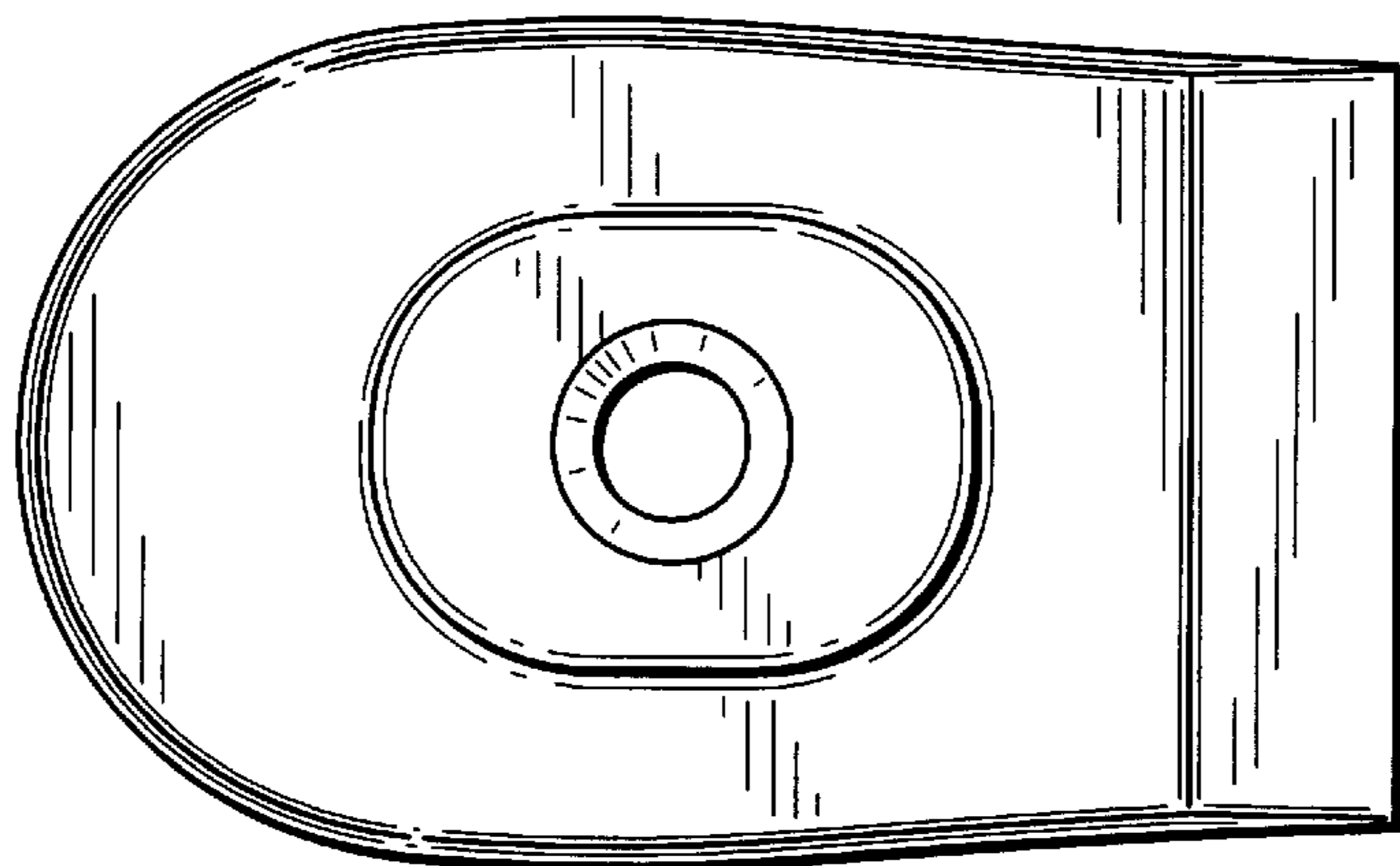


FIG. 19

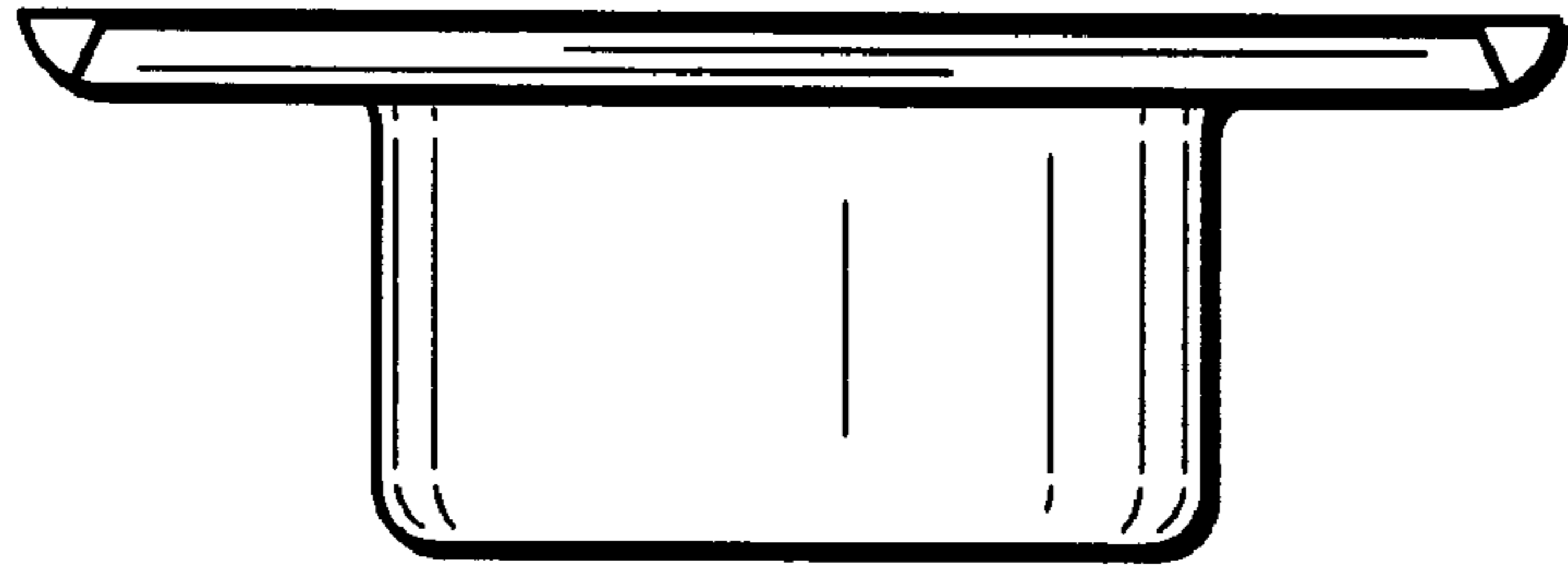


FIG. 20

