



US00D416378S

United States Patent [19] McNaught

[11] **Patent Number: Des. 416,378**

[45] **Date of Patent: ** Nov. 16, 1999**

[54] **SURF SHOE SOLE**

[75] **Inventor: Mark S. McNaught**, Newport Heights, Calif.

[73] **Assignee: Snowboot™ Company**, Newport Heights, Calif.

[**] **Term: 14 Years**

[21] **Appl. No.: 29/096,761**

[22] **Filed: Nov. 19, 1998**

[51] **LOC (6) Cl. 02-04**

[52] **U.S. Cl. D2/952; D2/946; D2/947; D2/948; D2/951**

[58] **Field of Search D2/896, 897, 902, D2/906, 908, 909, 914, 916, 919, 946-962, 964, 977; 36/3 B, 11.5, 12-15, 25 R, 28, 32 R, 44, 59 C, 66, 75 R, 76 R, 85, 101, 103, 104, 106, 113-115, 124, 126, 127-130**

[56] **References Cited**

U.S. PATENT DOCUMENTS

D. 247,831	5/1978	Famolare, Jr. et al.	D2/955
D. 247,832	5/1978	Glasgow et al.	D2/952
D. 304,390	11/1989	Nakano	D2/954

D. 309,670	8/1990	Mendonca	D2/952
D. 322,882	1/1992	Botella	D2/952
D. 327,570	7/1992	Silverman et al.	D2/952
D. 397,851	9/1998	Greenberg	D2/960
D. 399,644	10/1998	Ball	D2/952
D. 401,041	11/1998	Schneider	D2/951
D. 401,045	11/1998	Greenberg	D2/960
4,309,832	1/1982	Hunt	36/32 R
5,787,610	8/1998	Brooks	36/28

Primary Examiner—Louis S. Zarfaz
Assistant Examiner—Monica A. Weingart
Attorney, Agent, or Firm—Patent Law Firm, P.C.

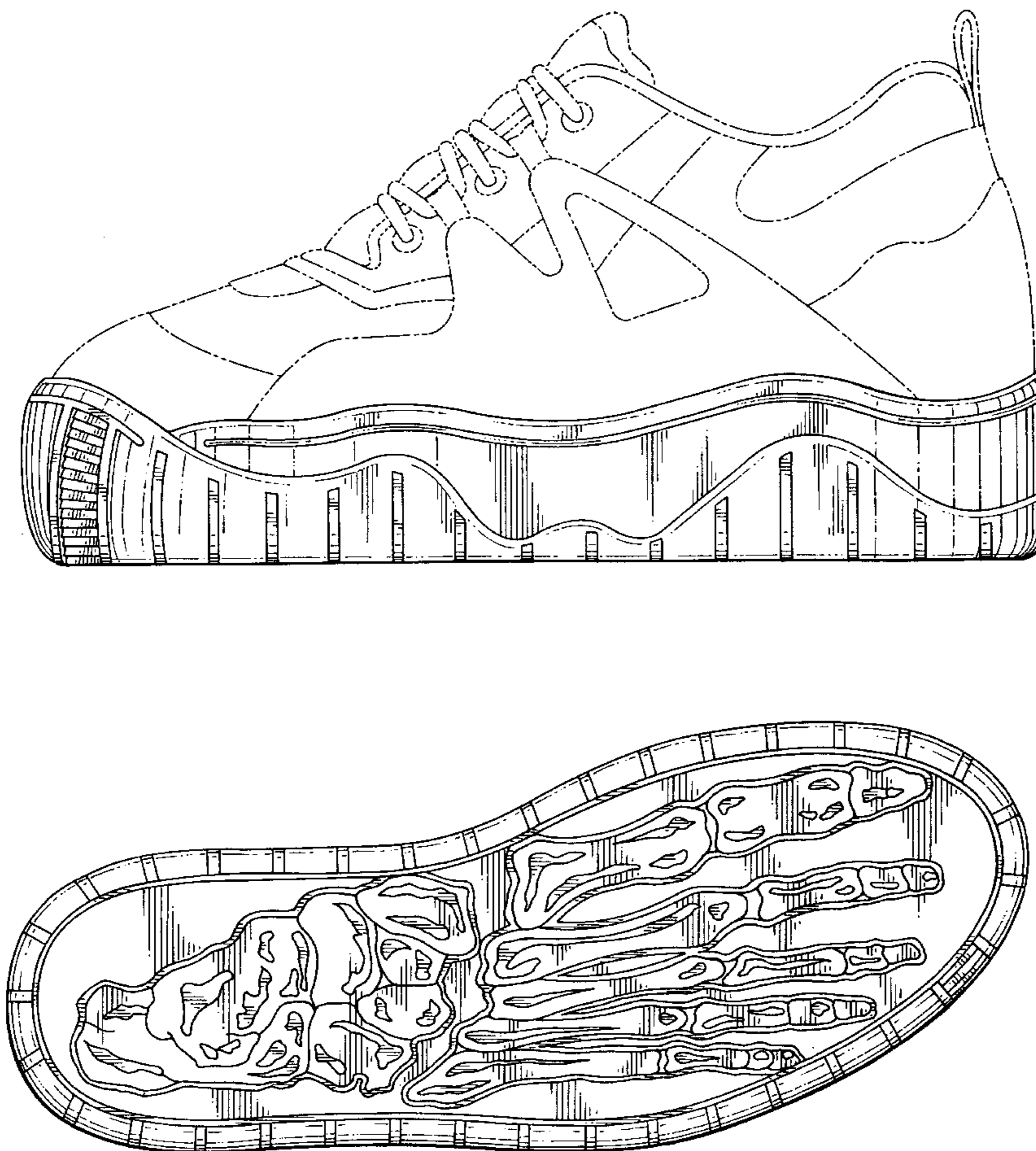
[57] **CLAIM**

The design for surf shoe sole, as shown and described.

DESCRIPTION

FIG. 1 is a right side elevational view of the surf shoe sole showing my new design;
FIG. 2 is a left side elevational view thereof;
FIG. 3 is a bottom plan view thereof;
FIG. 4 is a front elevational view thereof; and,
FIG. 5 is rear elevational view thereof.
The broken line showing of the shoe upper in FIGS. 1, 2, 4, and 5, is for illustrative purposes only and forms no part of the claimed design.

1 Claim, 4 Drawing Sheets



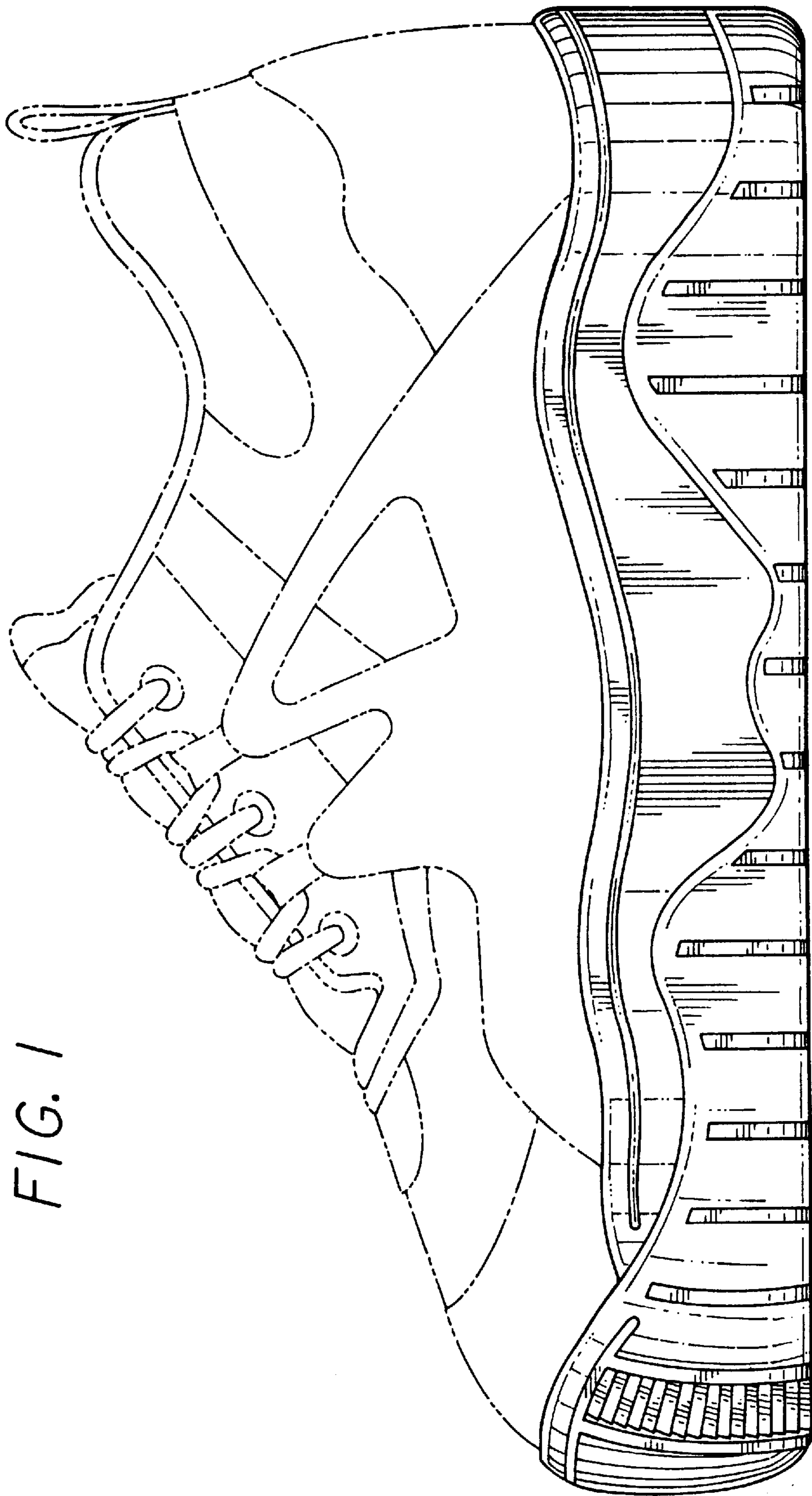


FIG. 1

FIG. 2

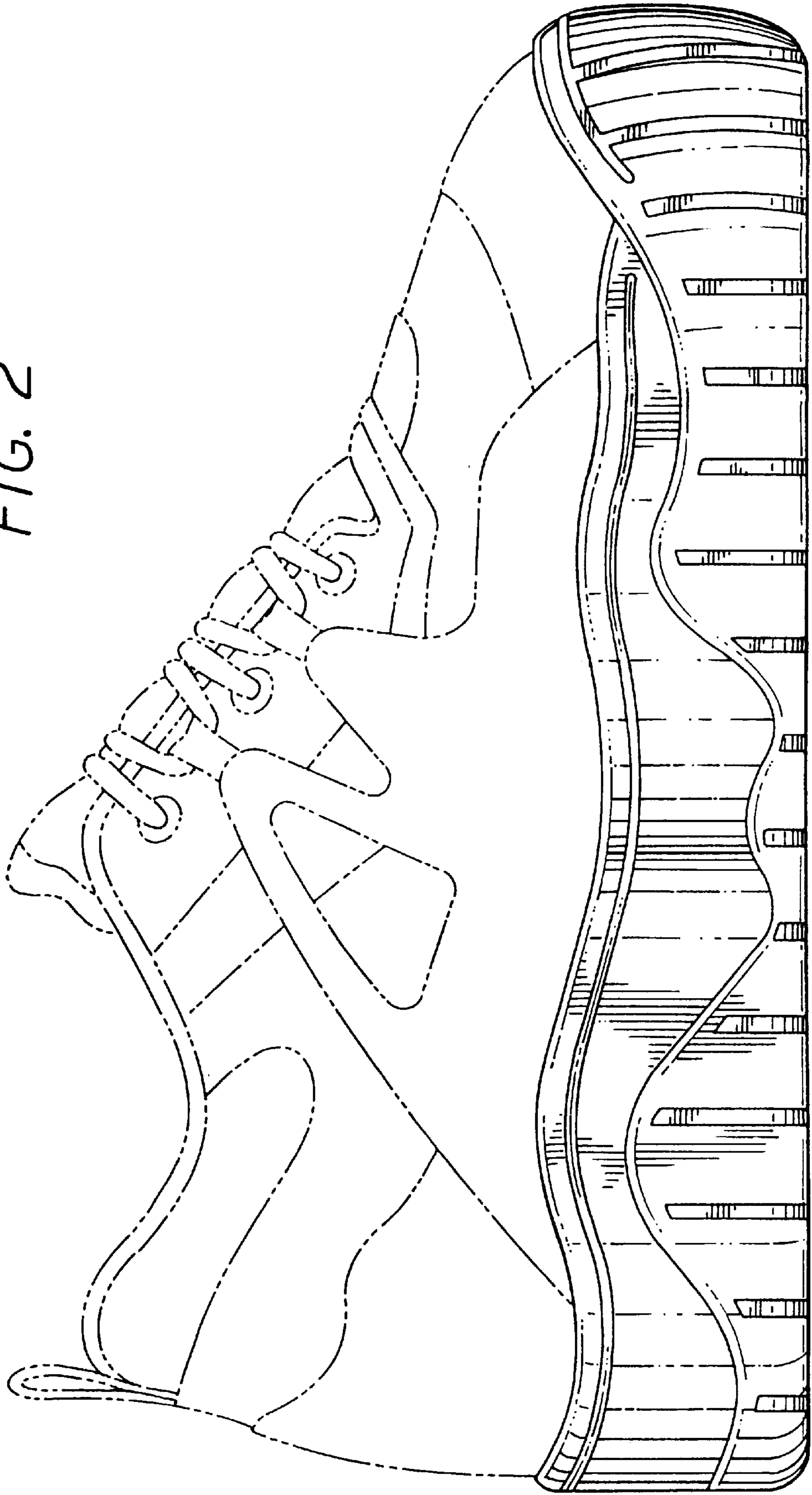


FIG. 3

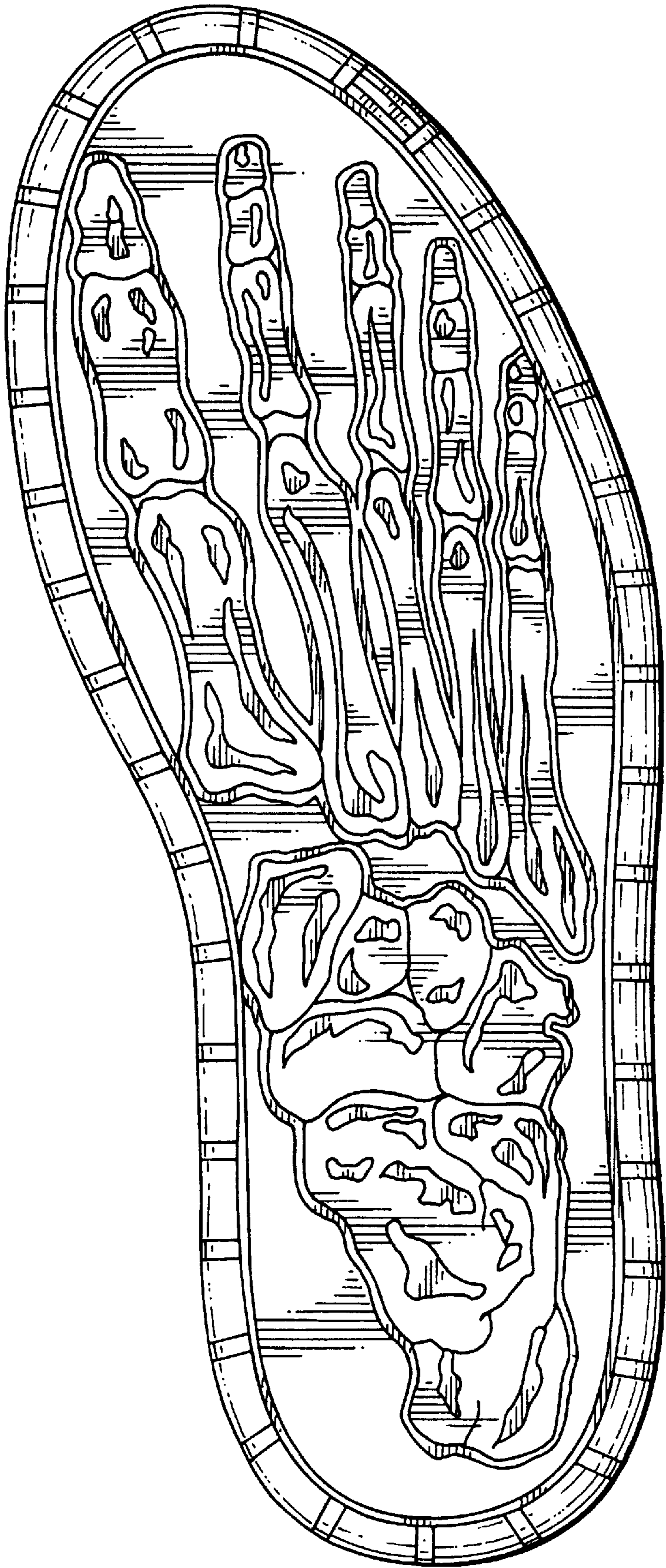


FIG. 4

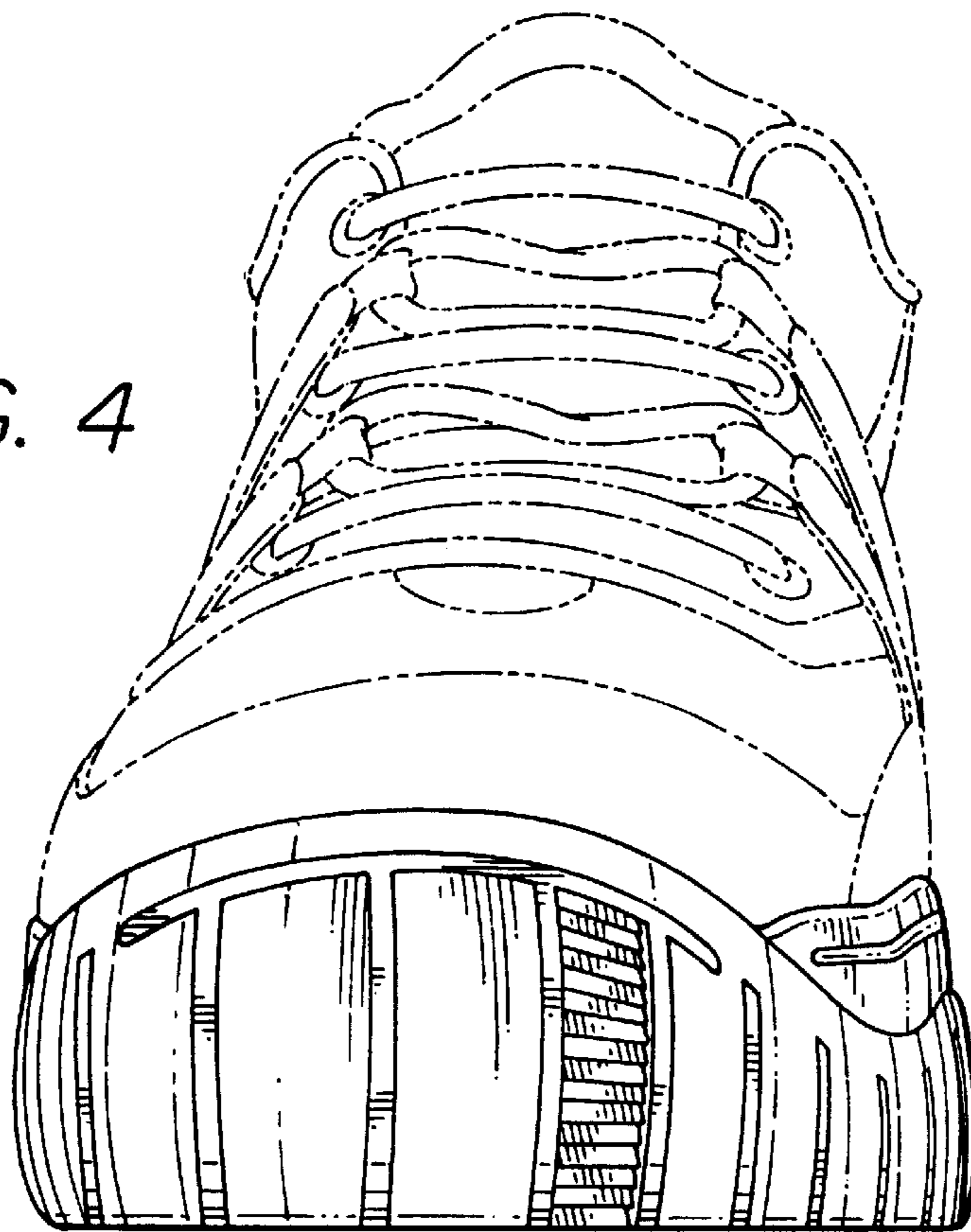


FIG. 5

