



US00D416370S

United States Patent [19] Hung

[11] Patent Number: Des. 416,370

[45] Date of Patent: ** Nov. 9, 1999

[54] JACK
[75] Inventor: Michael Hung, Lu Chu Hsiang, Taiwan
[73] Assignee: MVP (H.K.) Industries Limited, North Point, The Hong Kong Special Administrative Region of the People's Republic of China
[**] Term: 14 Years

4,277,048 7/1981 Okuda 254/8 B
4,635,902 1/1987 Chou 254/8 B
5,201,494 4/1993 Lundman 254/8 B
5,221,073 6/1993 Shockley 254/8 B
5,431,369 7/1995 Hung 254/8 B
5,551,668 9/1996 Hung 254/8 B
5,588,639 12/1996 Holman 254/8 B X

Primary Examiner—Susan J. Lucas
Assistant Examiner—Cynthia E. Ramirez
Attorney, Agent, or Firm—Bacon & Thomas, PLLC

[21] Appl. No.: 29/091,267
[22] Filed: Jul. 24, 1998

[57] CLAIM

The ornamental design for a jack, as shown and described.

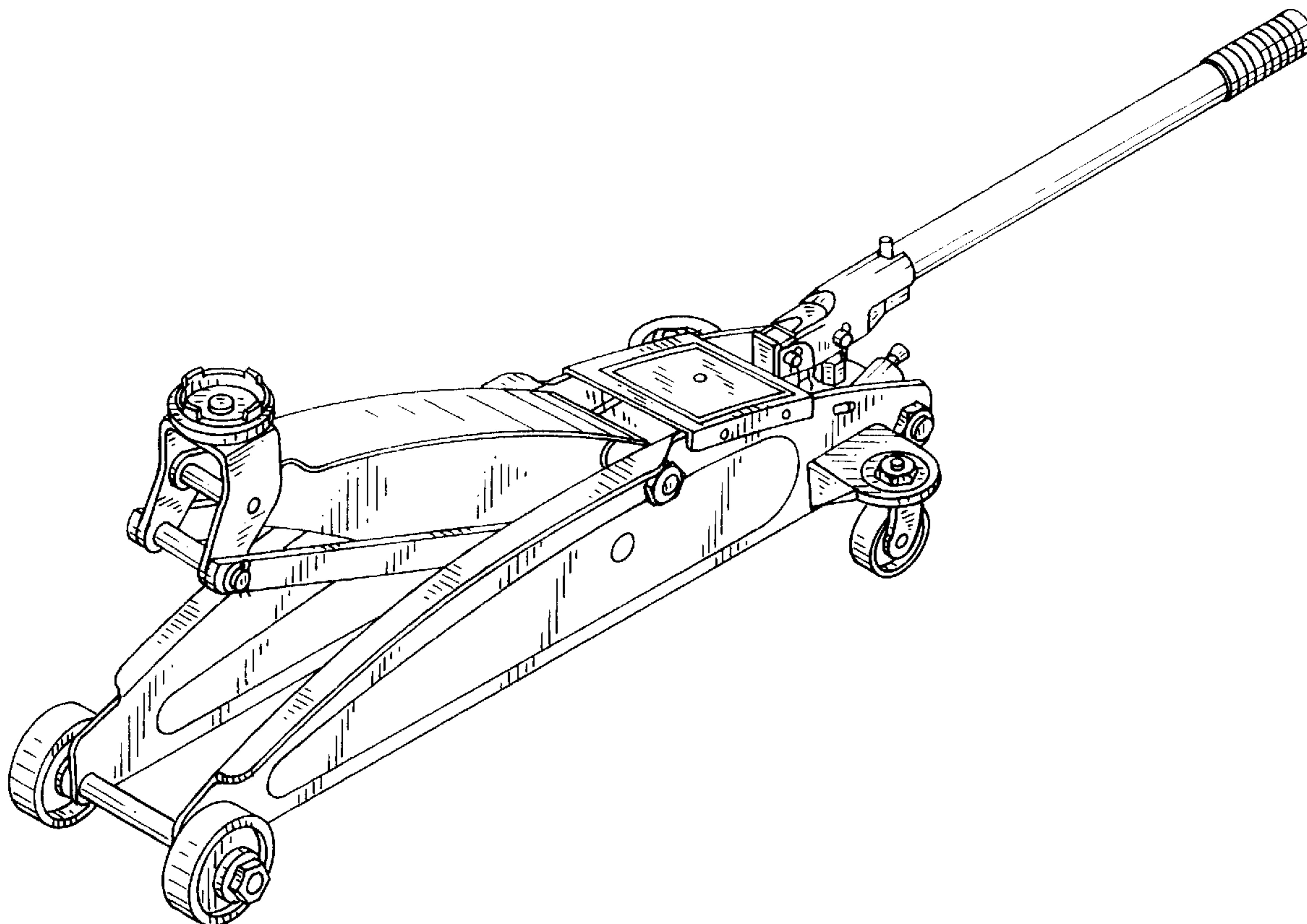
[51] LOC (6) Cl. 12-05
[52] U.S. Cl. D34/31
[58] Field of Search D34/31; 254/8 B, 254/84, 11, 93 H, 2 B, DIG. 3

DESCRIPTION

FIG. 1 is a right side perspective view of a jack showing my new design;
FIG. 2 is a front view thereof;
FIG. 3 is a rear view thereof;
FIG. 4 is a left side view thereof;
FIG. 5 is a right side view thereof;
FIG. 6 is a top view thereof; and,
FIG. 7 is a bottom view thereof.

[56] References Cited
U.S. PATENT DOCUMENTS
D. 162,547 3/1951 Johnsen D34/31
D. 253,696 12/1979 Suzuki D34/31
4,018,421 4/1977 Tallman 254/8 B

1 Claim, 4 Drawing Sheets



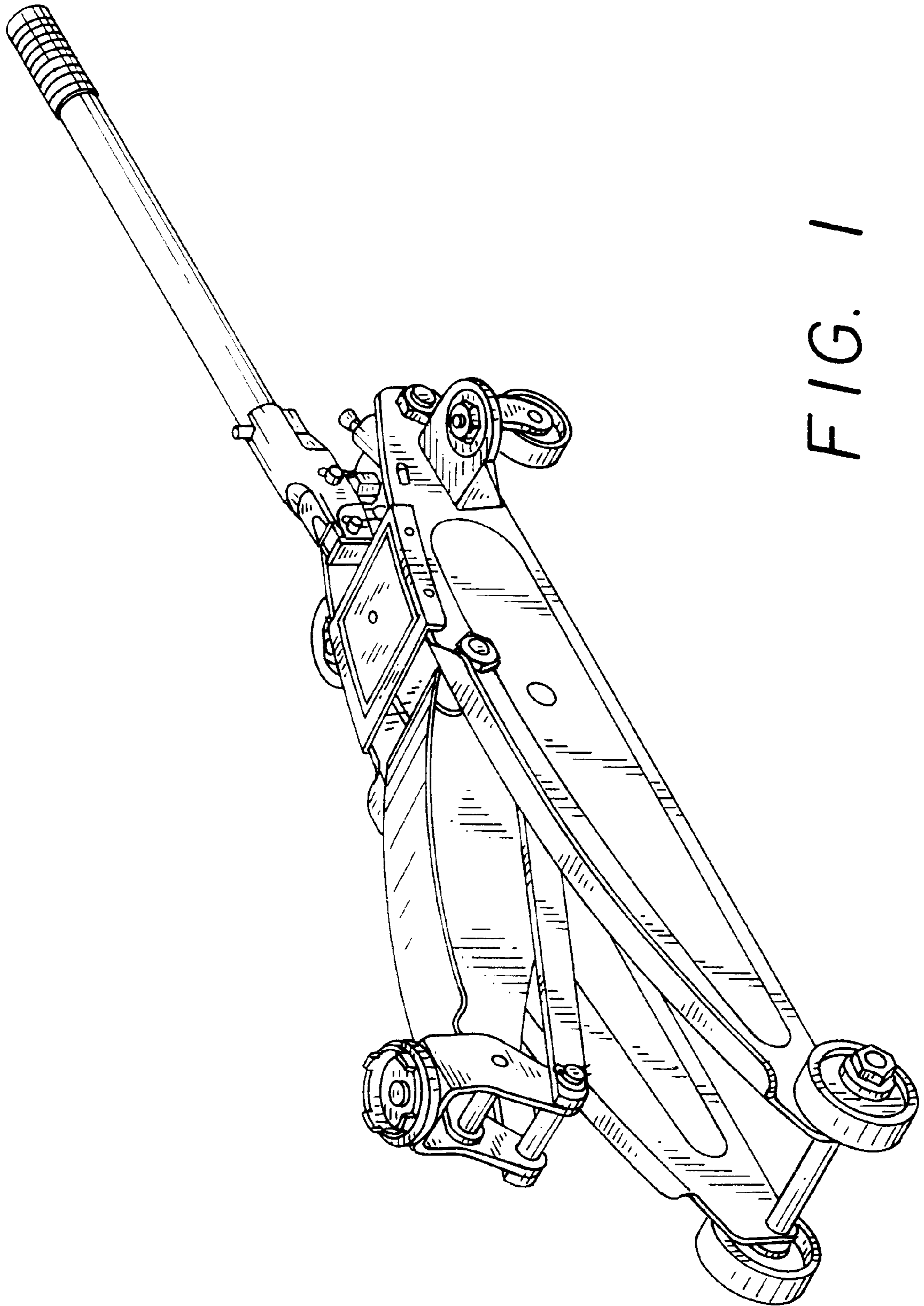


FIG. 1

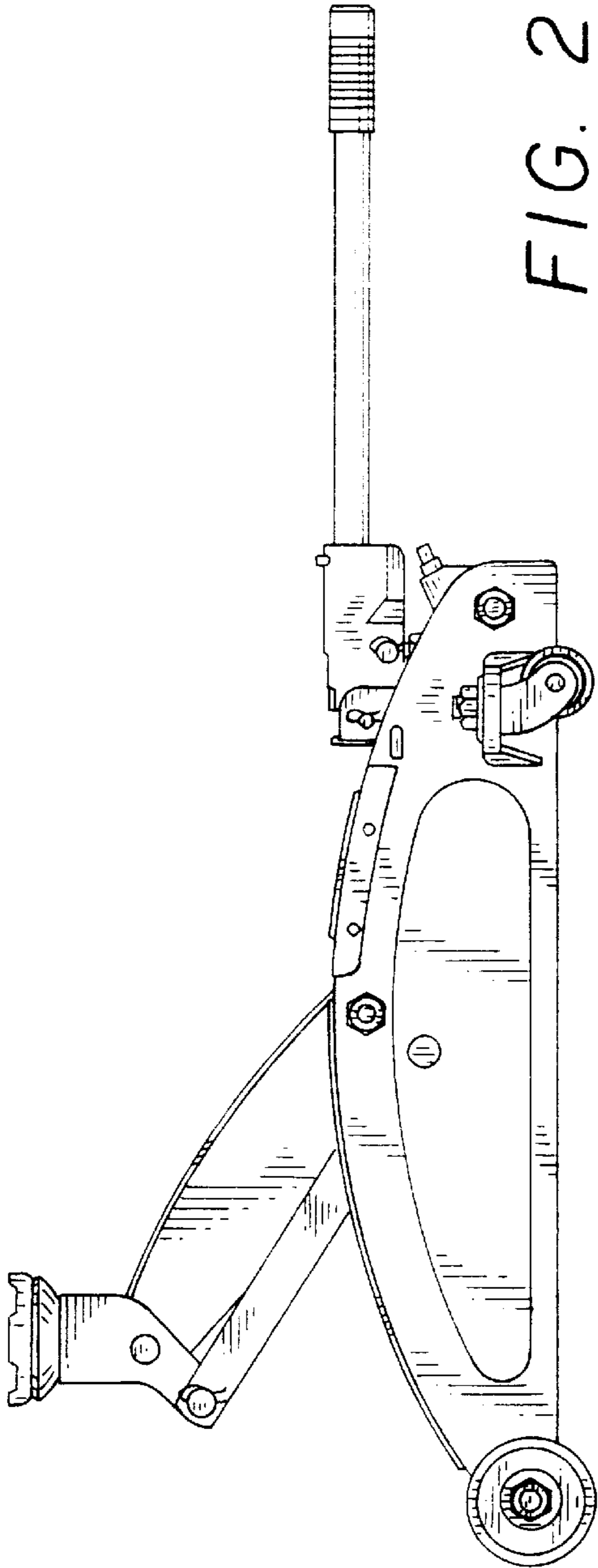


FIG. 2

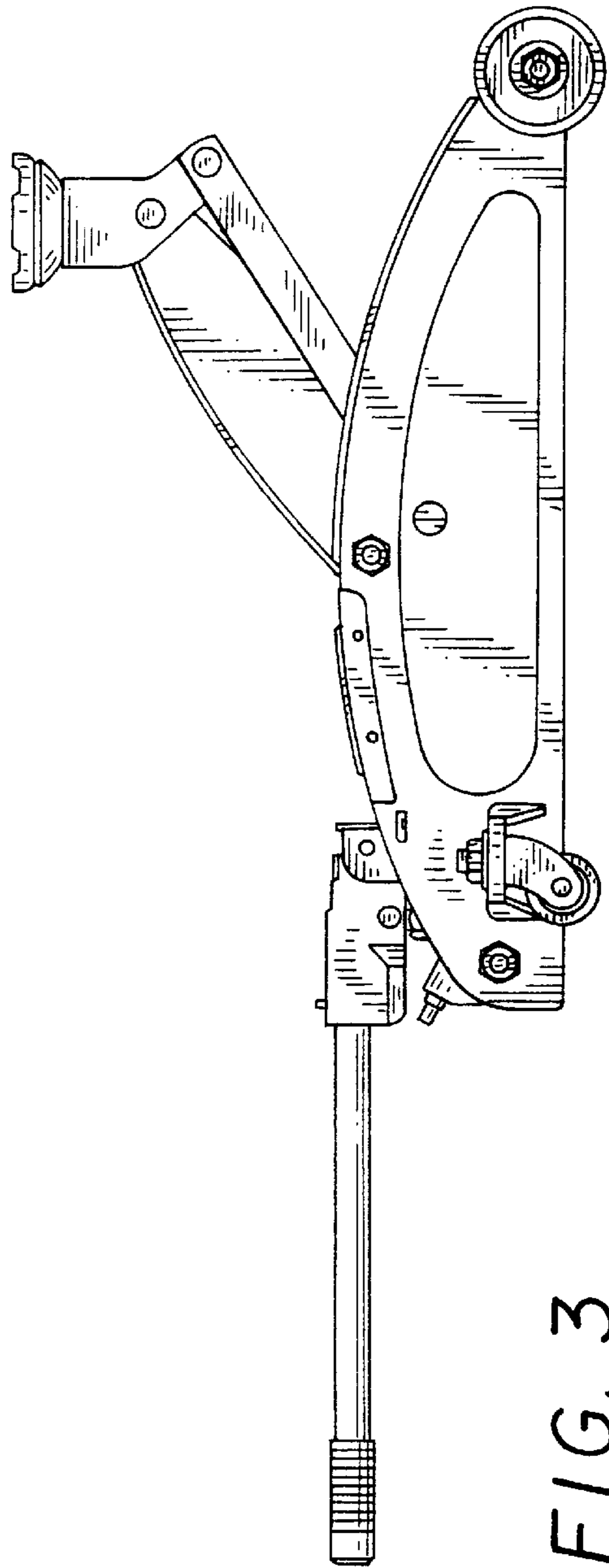


FIG. 3

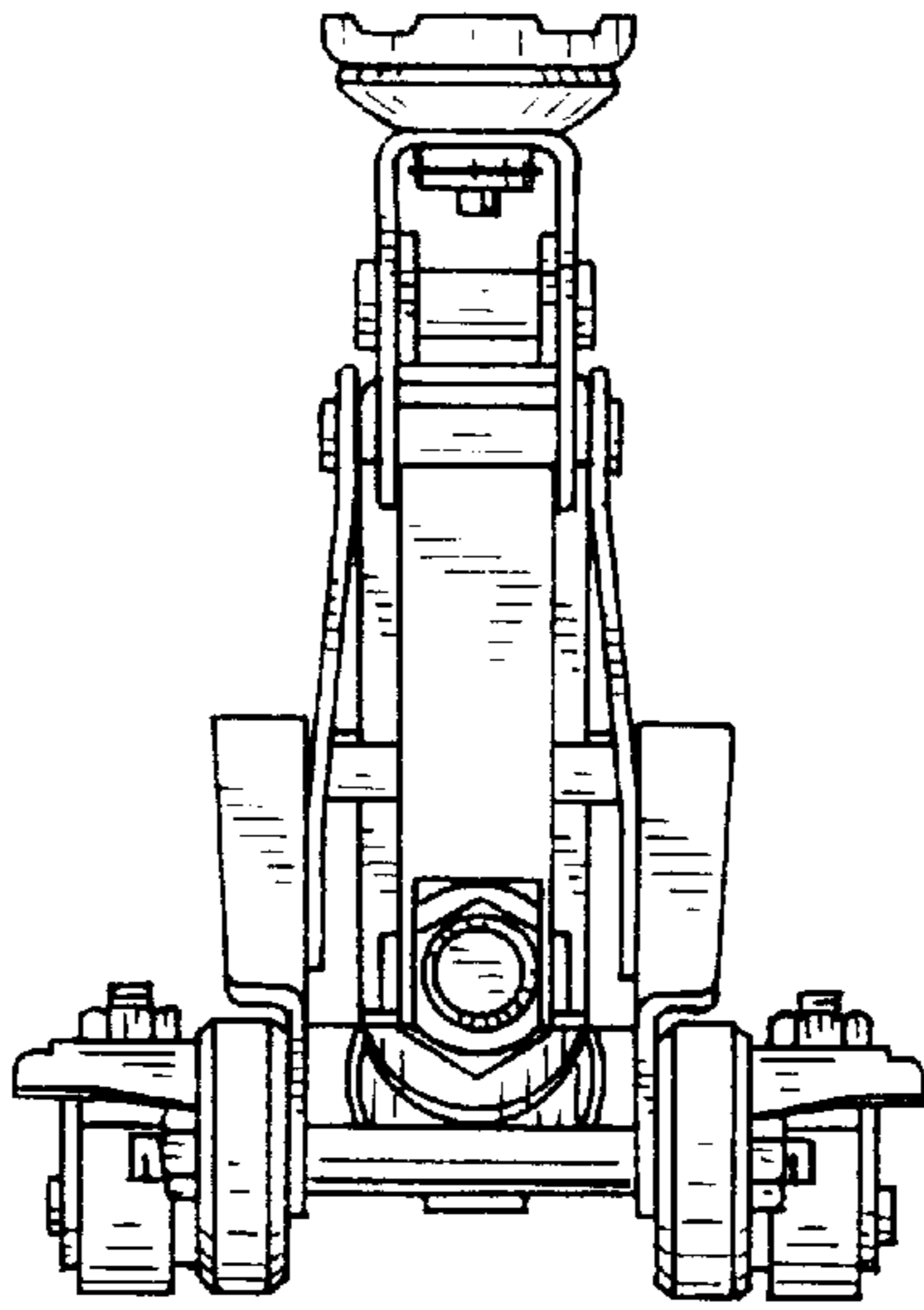


FIG. 4

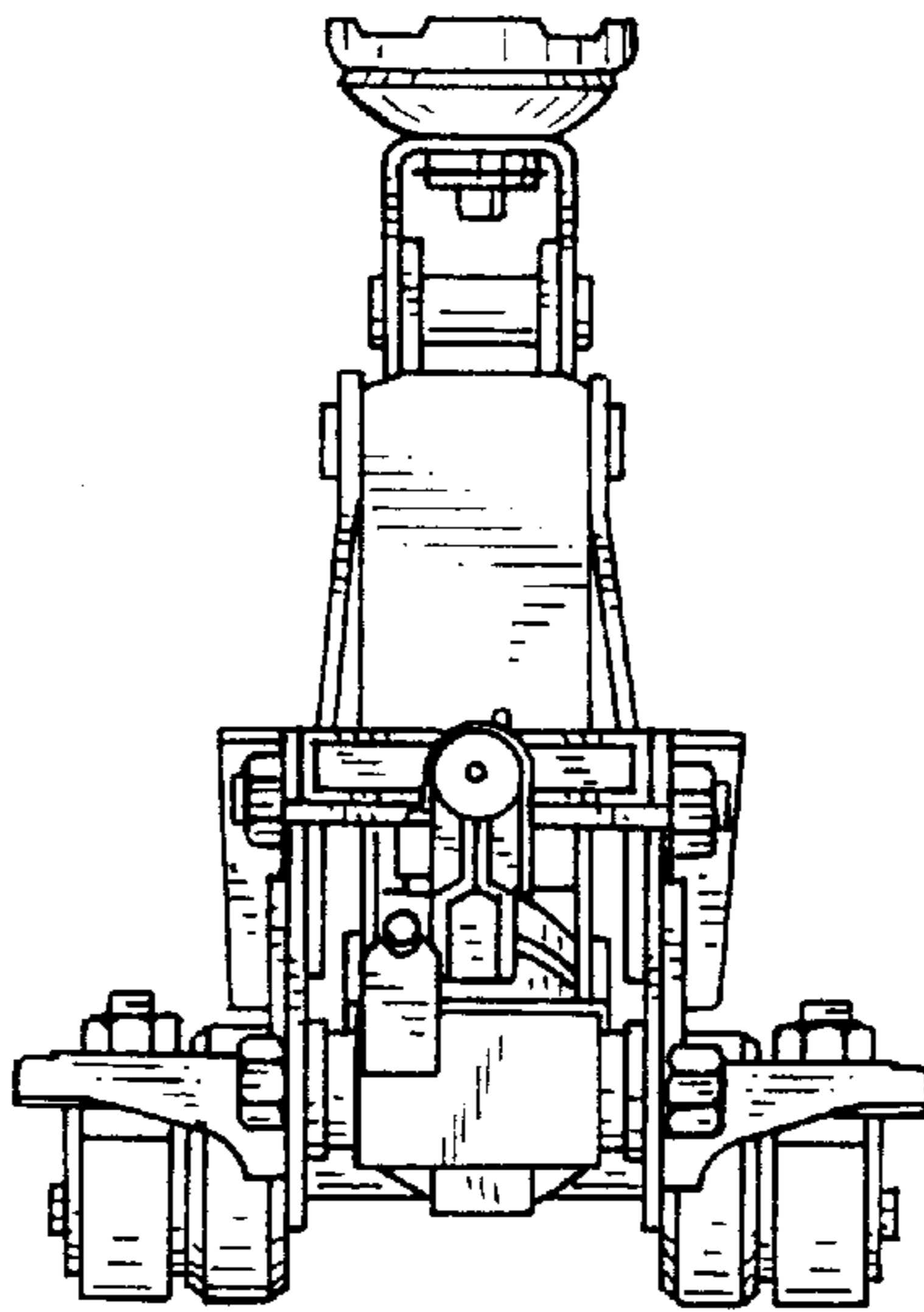


FIG. 5

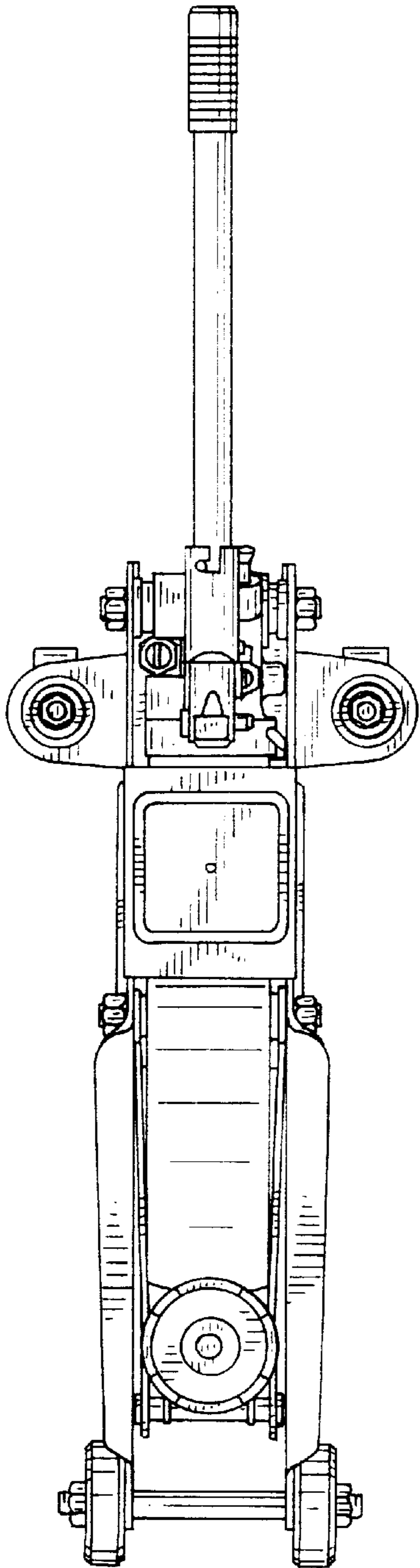


FIG. 6

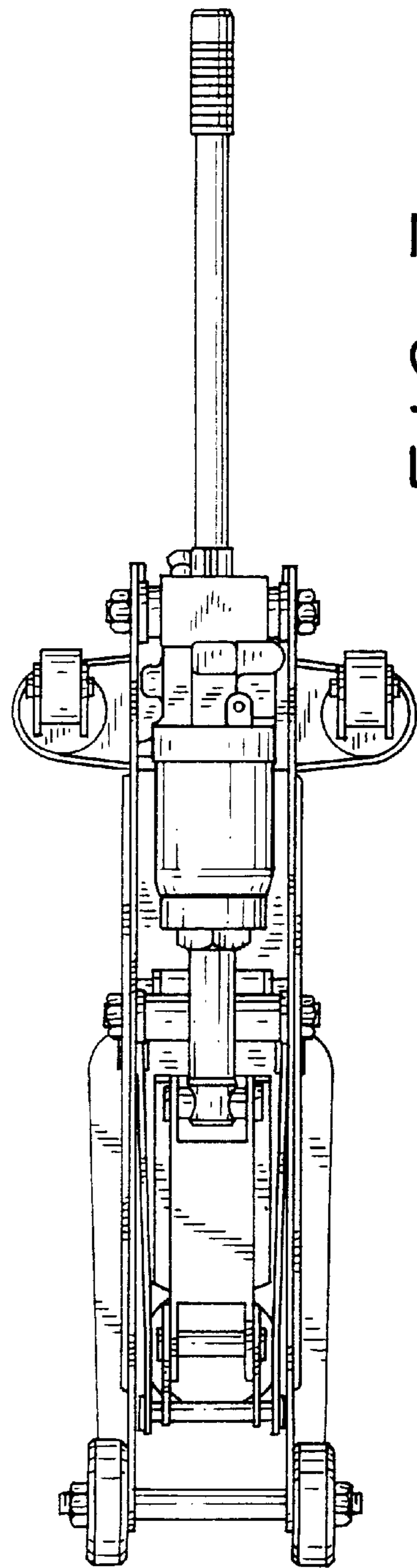


FIG. 7